



US00D639201S

(12) **United States Design Patent**  
**Cole**

(10) **Patent No.:** **US D639,201 S**  
(45) **Date of Patent:** **\*\* Jun. 7, 2011**

(54) **WATCH CLASP**

(76) Inventor: **Edward C. Cole**, Manhasset, NY (US)

(\*\*) Term: **14 Years**

(21) Appl. No.: **29/336,863**

(22) Filed: **May 11, 2009**

(51) **LOC (9) Cl.** ..... **11-01**

(52) **U.S. Cl.** ..... **D11/87**

(58) **Field of Classification Search** ..... D11/1,  
D11/3-5, 18-20, 22-26, 30, 93, 94, 87, 200;  
24/71 J, 71 R, 69 J, 265 WS, 265 B; 63/3,  
63/3.1, 21; 224/164, 165, 174, 179

See application file for complete search history.

(56) **References Cited**

**U.S. PATENT DOCUMENTS**

2,193,596	A *	3/1940	Kestenman	.....	24/71 J
2,446,068	A *	7/1948	Valcourt	.....	24/71 J
4,564,982	A *	1/1986	Paolini	.....	24/71 J
5,579,559	A *	12/1996	Ferrario	.....	24/71 J
5,781,968	A *	7/1998	Widmer	.....	24/71 J
6,311,373	B1 *	11/2001	Hashimoto	.....	24/265 WS
D469,378	S *	1/2003	Lee	.....	D11/87

7,124,478 B2 \* 10/2006 Aquillon et al. .... 24/265 WS  
2007/0271740 A1 \* 11/2007 Yamamoto ..... 24/265 WS  
2007/0271747 A1 \* 11/2007 Yamamoto ..... 24/71 J

\* cited by examiner

*Primary Examiner* — Robert M. Spear

*Assistant Examiner* — Rashida C McCoy

(74) *Attorney, Agent, or Firm* — Fox Rothschild LLP

(57) **CLAIM**

The ornamental design for a watch clasp, as shown and described.

**DESCRIPTION**

FIG. 1 is a perspective view of a watch clasp in an open position showing my new design.

FIG. 2 is a perspective view thereof in a closed position.

FIG. 3 is a top plan view thereof in an open position.

FIG. 4 is a top plan view thereof in a closed position.

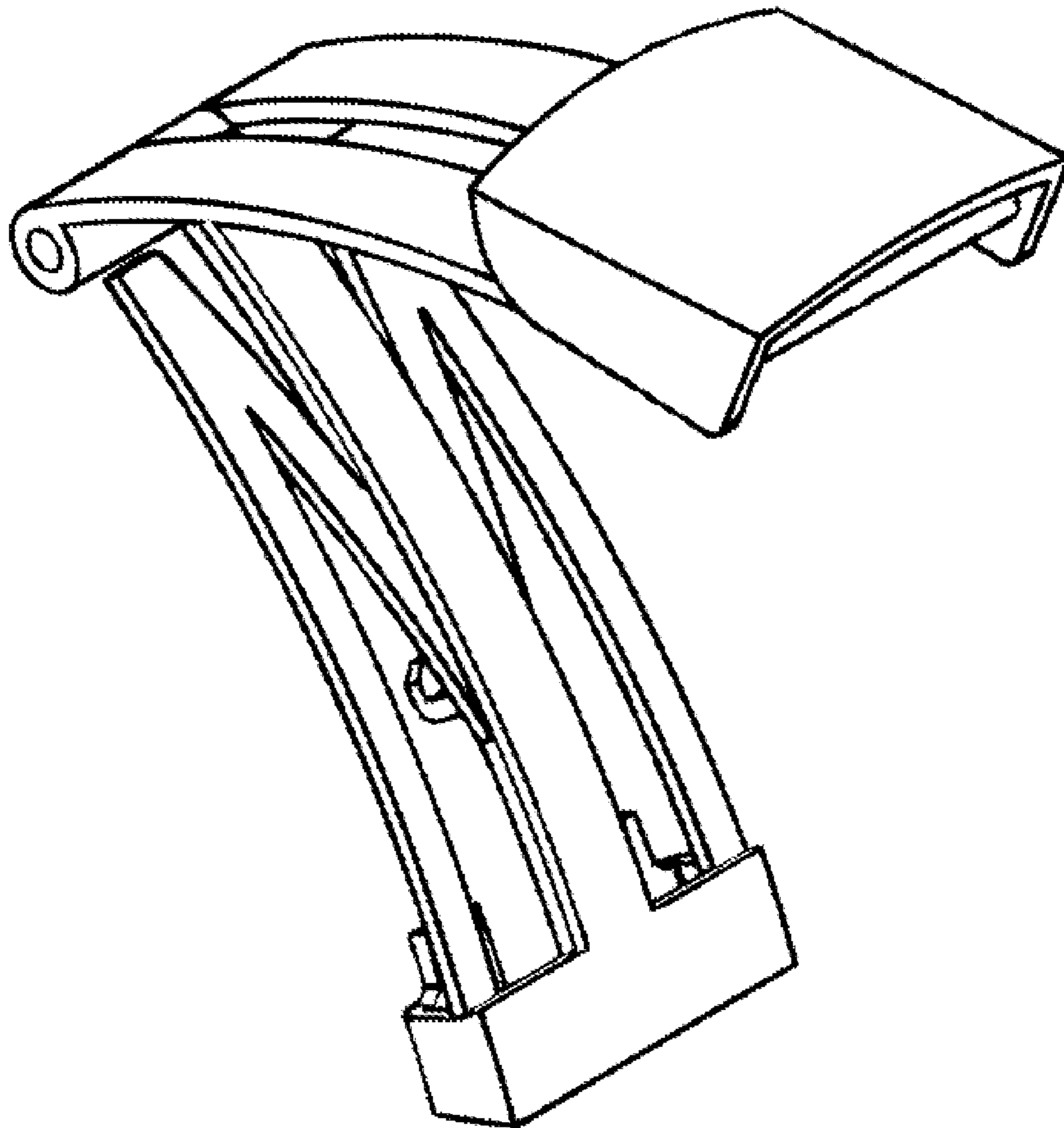
FIG. 5 is a side view thereof in an open position.

FIG. 6 is a side view thereof in a closed position.

FIG. 7 is a bottom plan view thereof in an open position; and,

FIG. 8 is a bottom plan view thereof in a closed position.

**1 Claim, 4 Drawing Sheets**



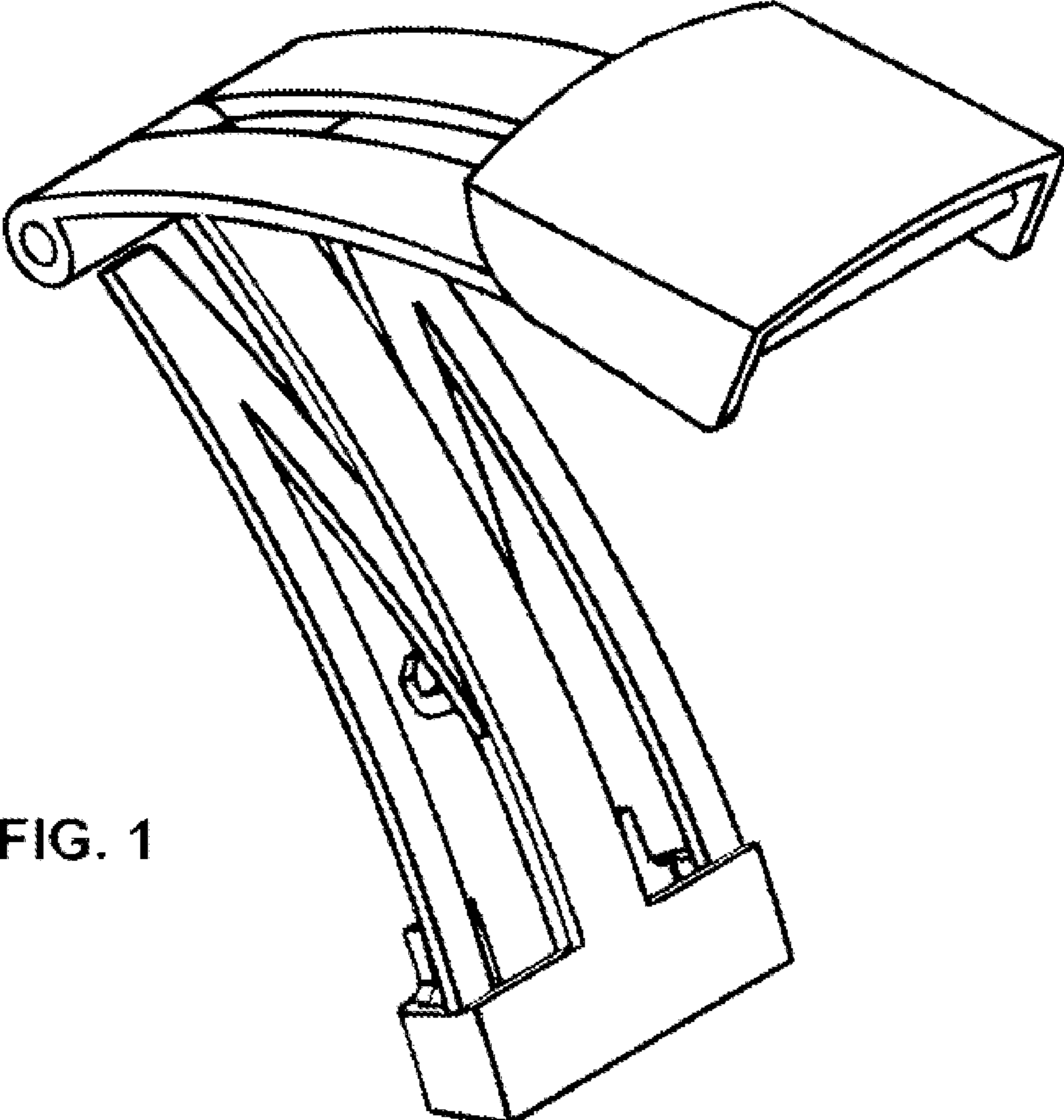


FIG. 1

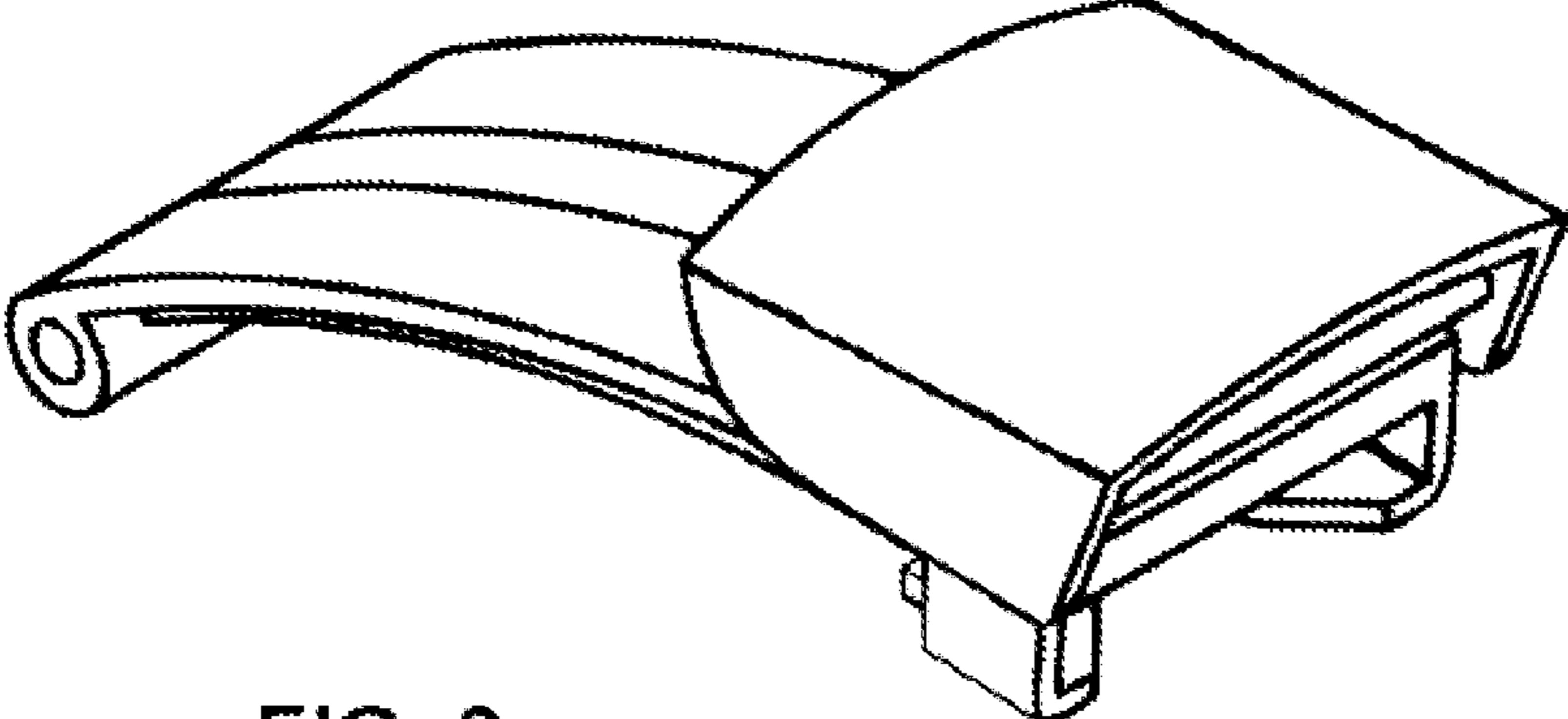


FIG. 2

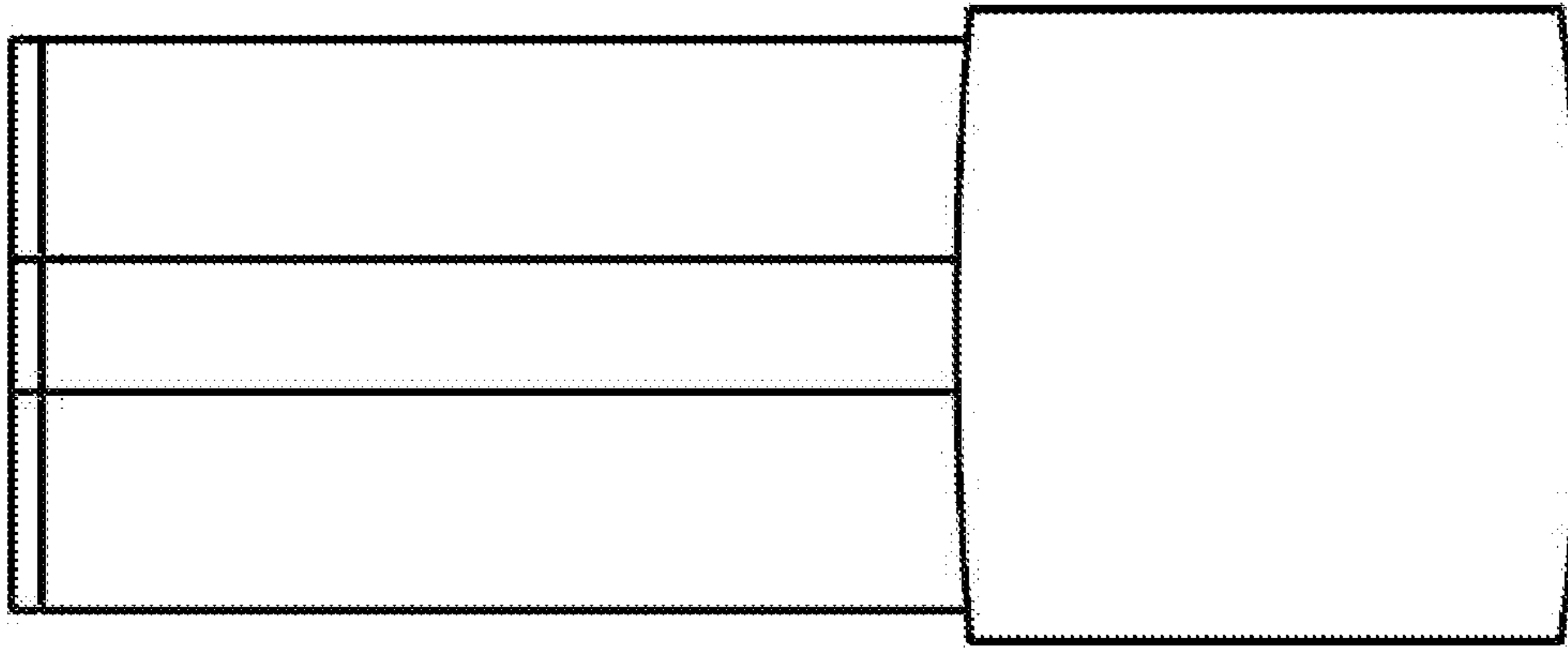


FIG. 3

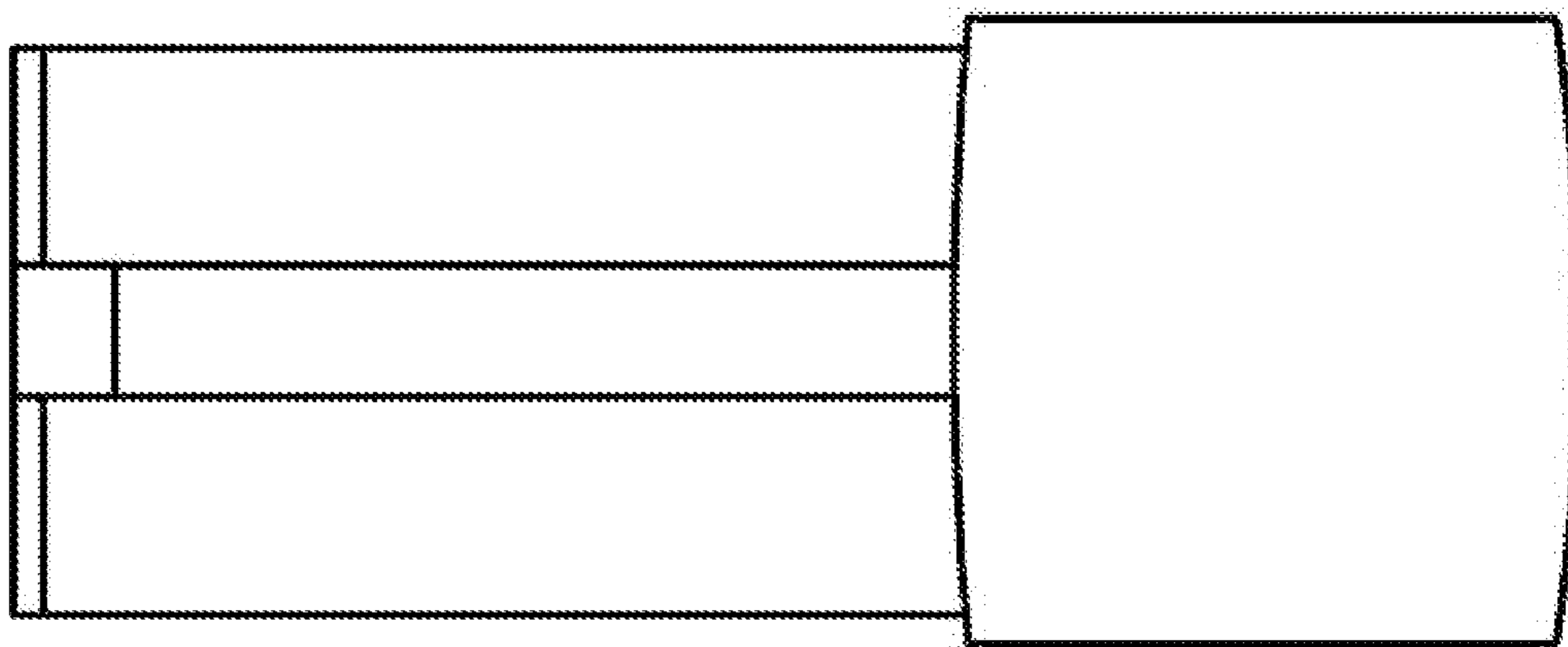


FIG. 4

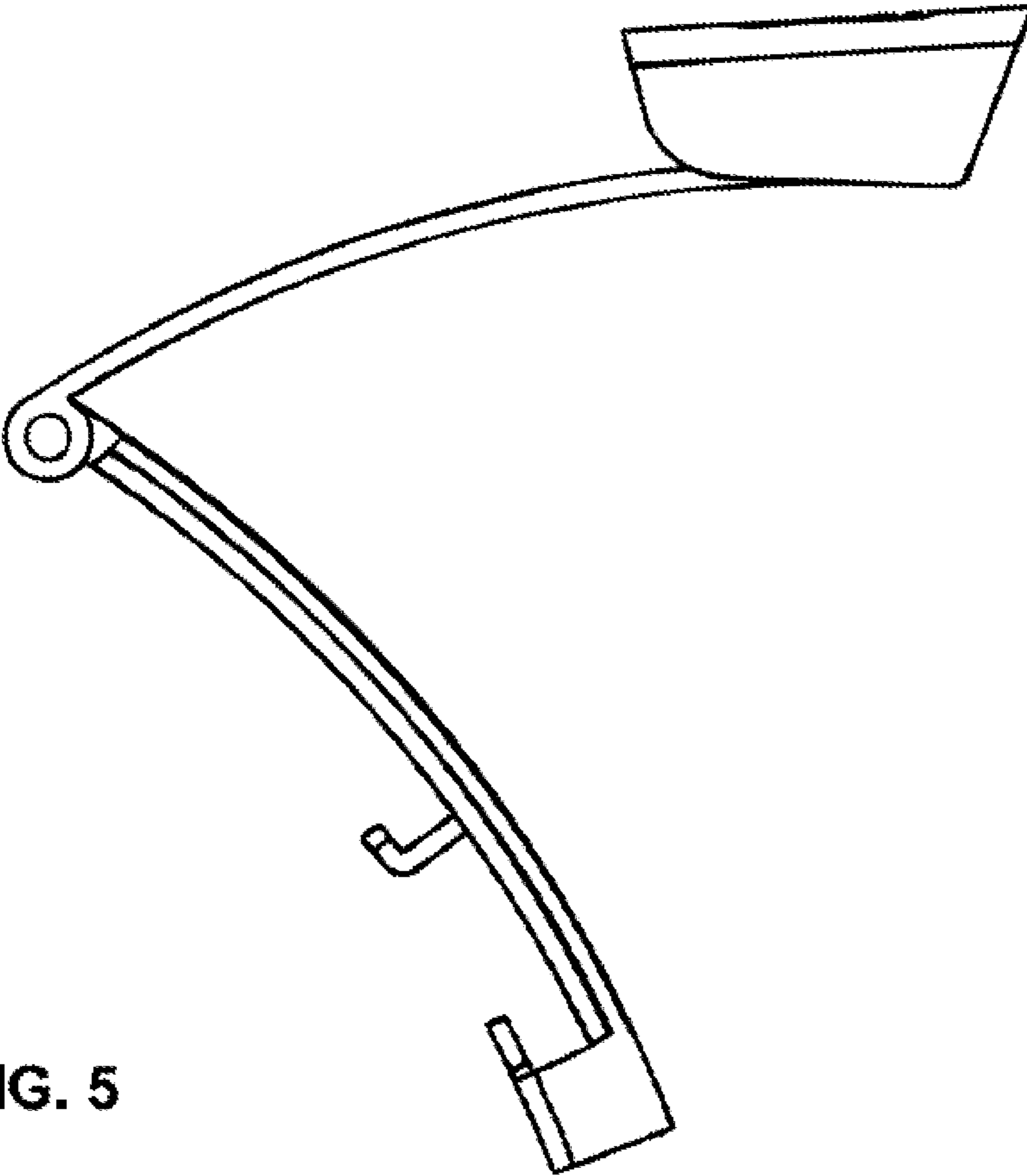


FIG. 5

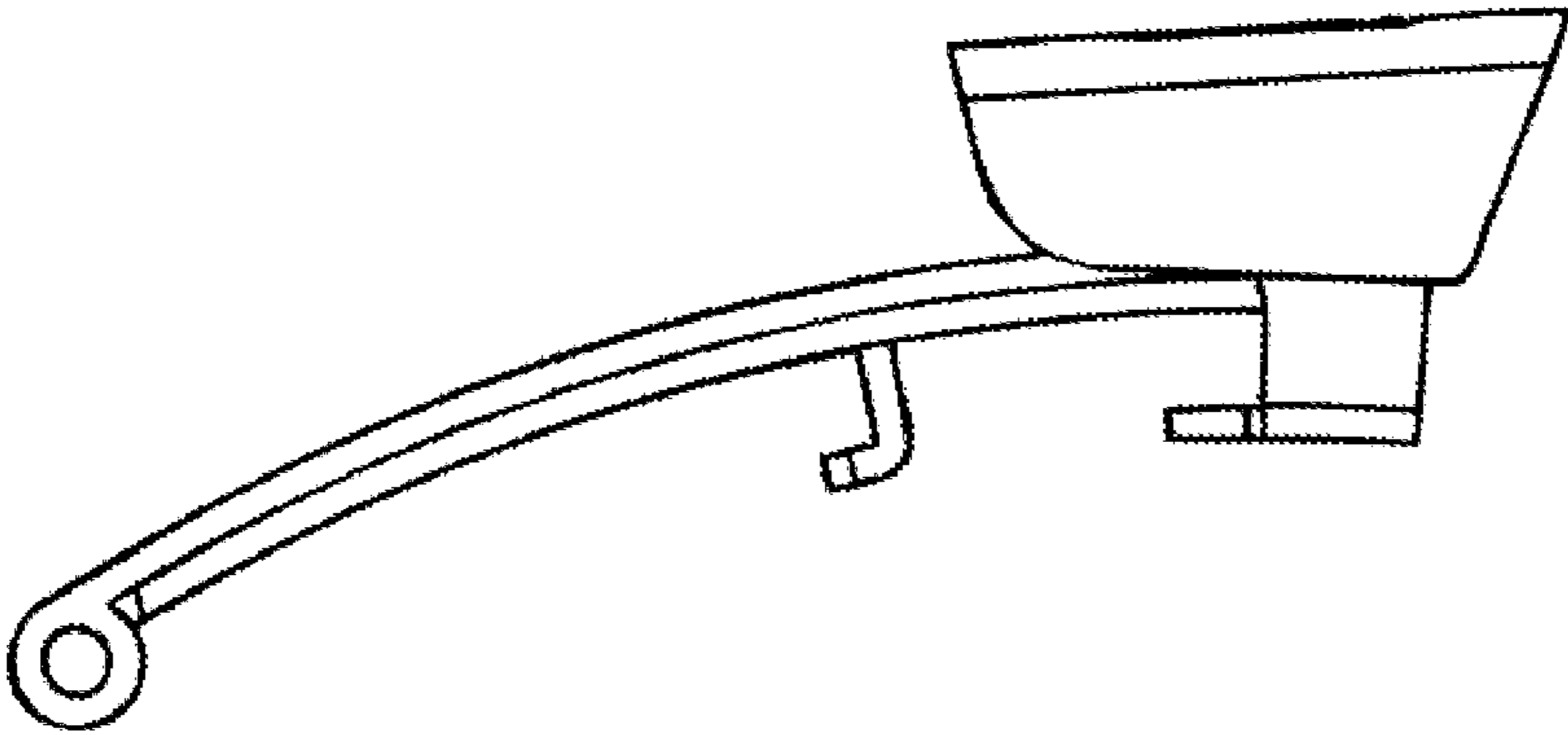


FIG. 6

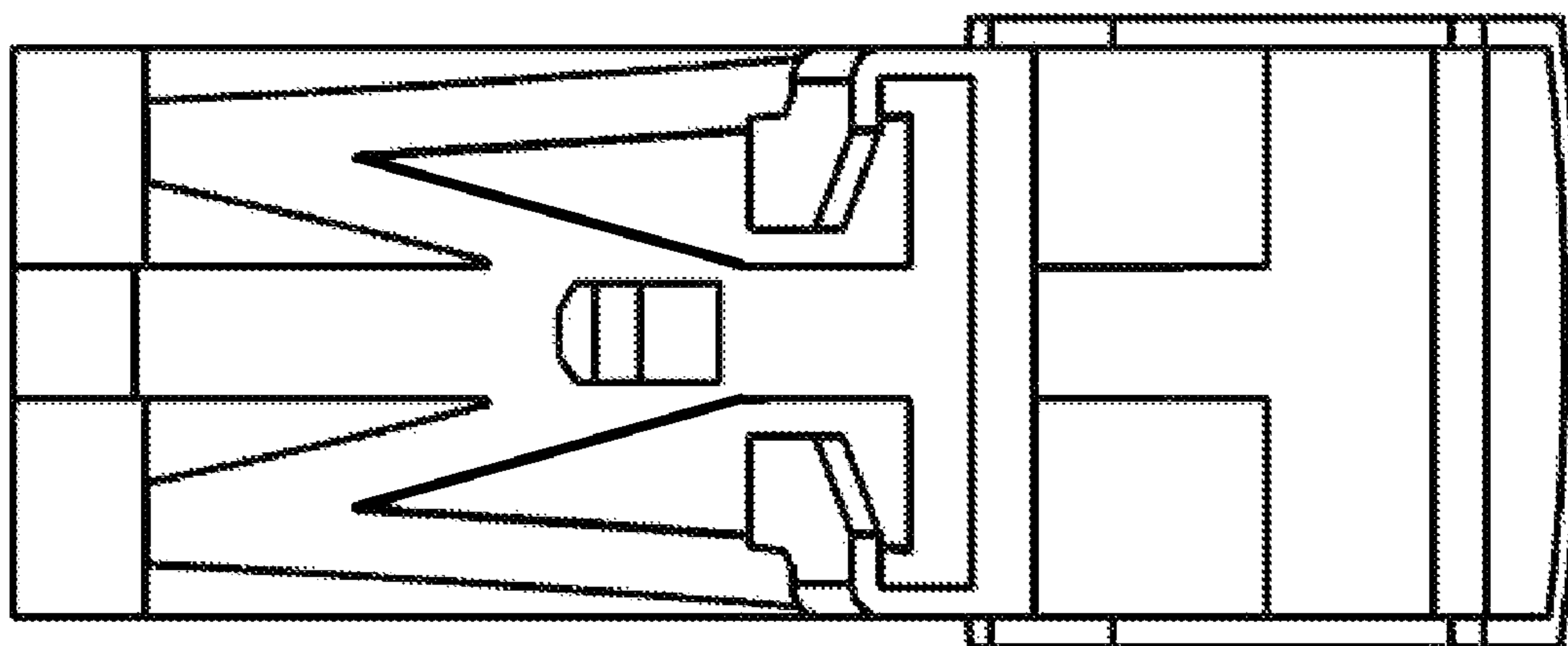


FIG. 7

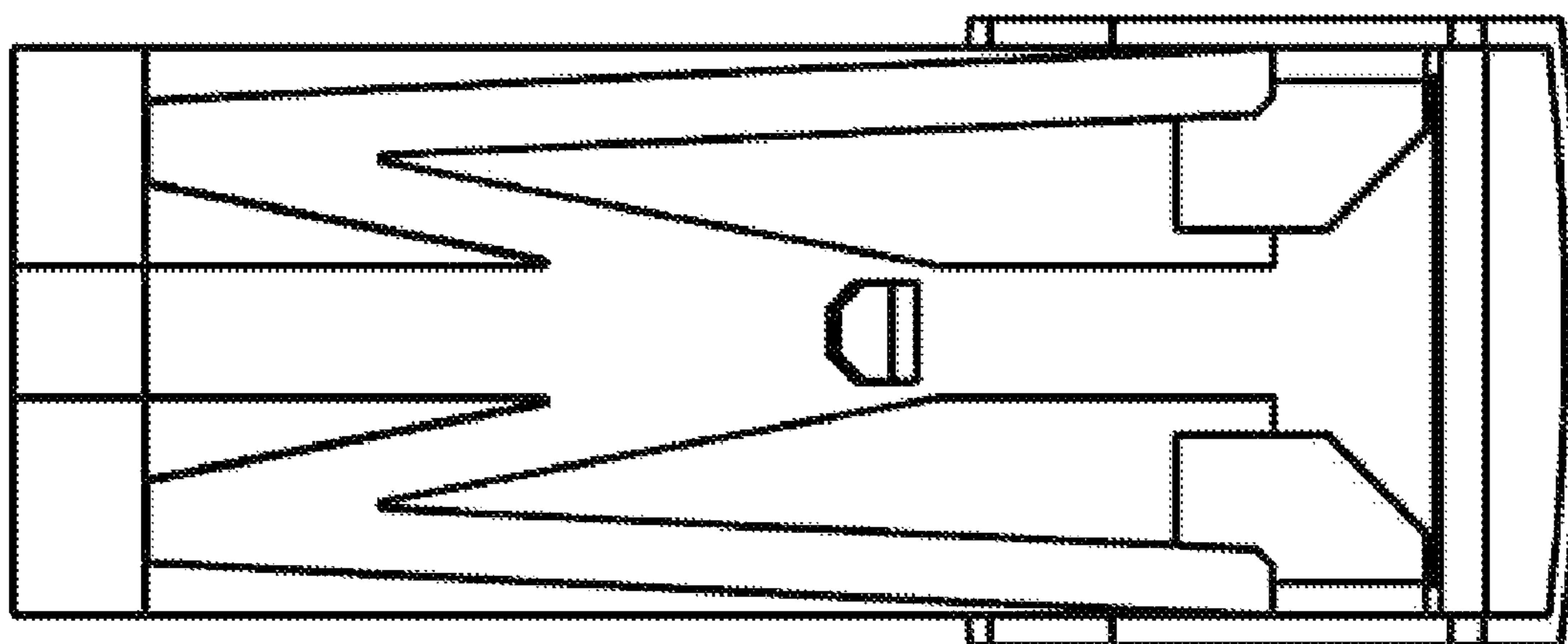


FIG. 8