



US00D639197S

(12) **United States Design Patent**  
**Primos**

(10) **Patent No.:** **US D639,197 S**

(45) **Date of Patent:** **\*\* Jun. 7, 2011**

(54) **COMBINATION GAME CALL APPARATUS**

(75) Inventor: **Wilbur R. Primos**, Madison, MS (US)

(73) Assignee: **Primos, Inc.**, Flora, MS (US)

(\*\*) Term: **14 Years**

(21) Appl. No.: **29/379,142**

(22) Filed: **Nov. 15, 2010**

(51) **LOC (9) Cl.** ..... **10-05**

(52) **U.S. Cl.** ..... **D10/119.1**

(58) **Field of Classification Search** ..... D10/116,  
D10/119, 120, 104; 446/402, 204-206, 208;  
116/152, 159, 166; 370/469; D3/203.1-203.4;  
D26/45-46, 48-50; 119/707; 84/380 R

See application file for complete search history.

(56) **References Cited**

U.S. PATENT DOCUMENTS

291,548	A *	1/1884	Swan	.....	446/204
1,015,595	A *	1/1912	Stephens	.....	116/138
1,062,518	A *	5/1913	Teste	.....	116/139
1,183,356	A *	5/1916	Dobes	.....	116/141
1,196,807	A *	9/1916	Pennock	.....	116/138
3,054,216	A *	9/1962	Testo	.....	446/208

5,803,785	A	9/1998	Primos, Jr. et al.	
D451,418	S *	12/2001	Thompson	..... D10/119
6,413,140	B1	7/2002	Primos	
6,527,614	B1	3/2003	Primos	
6,926,578	B1	8/2005	Casias et al.	
7,145,067	B2 *	12/2006	Pfortmiller et al.	..... 84/380 R
D555,530	S *	11/2007	Primos	..... D10/119

\* cited by examiner

*Primary Examiner* — Caron D Veynar

*Assistant Examiner* — George D Kirschbaum

(74) *Attorney, Agent, or Firm* — Holland & Hart

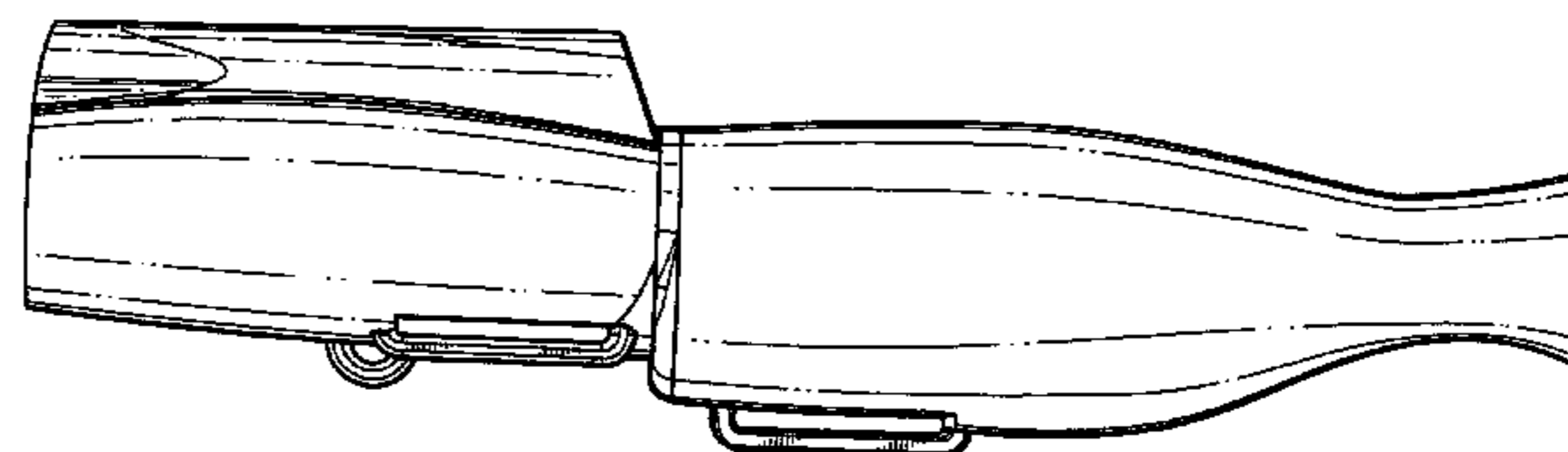
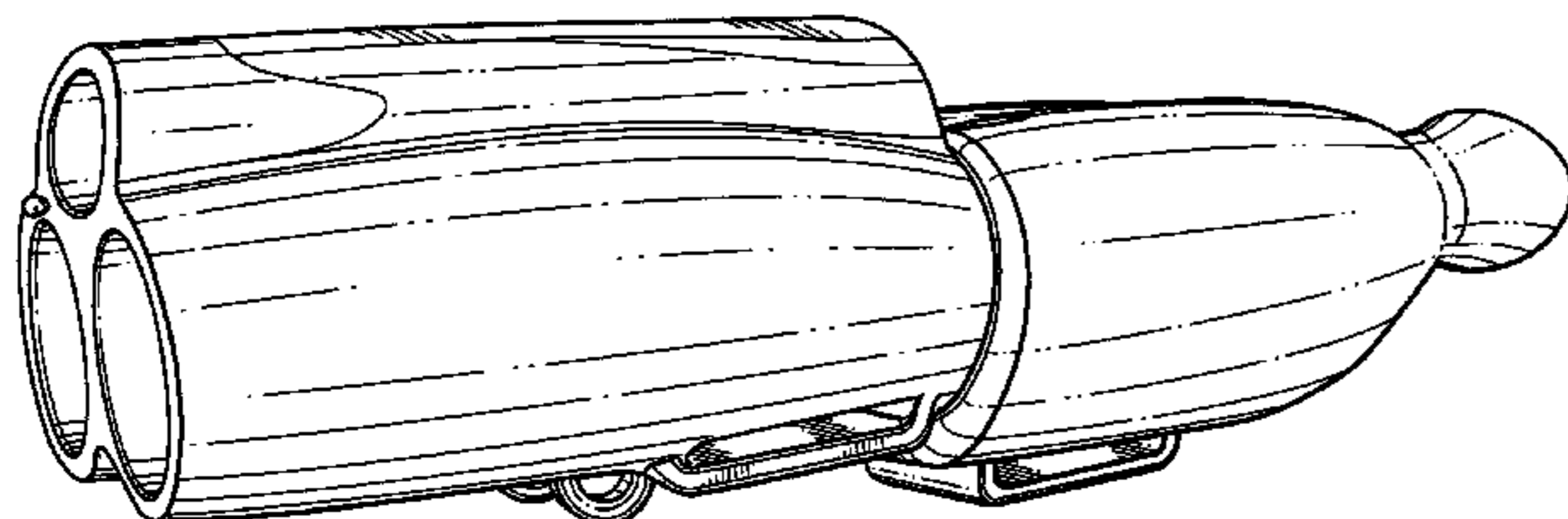
(57) **CLAIM**

The ornamental design for a combination game call apparatus, as shown and described.

**DESCRIPTION**

FIG. 1 is a perspective view of a “combination game call apparatus” according to the present invention; FIG. 2 is a front elevation view thereof; FIG. 3 is a top view thereof; FIG. 4 is a rear view thereof; FIG. 5 is a bottom view thereof; FIG. 6 is a right side elevation view thereof; and, FIG. 7 is a left side elevation view thereof.

**1 Claim, 4 Drawing Sheets**



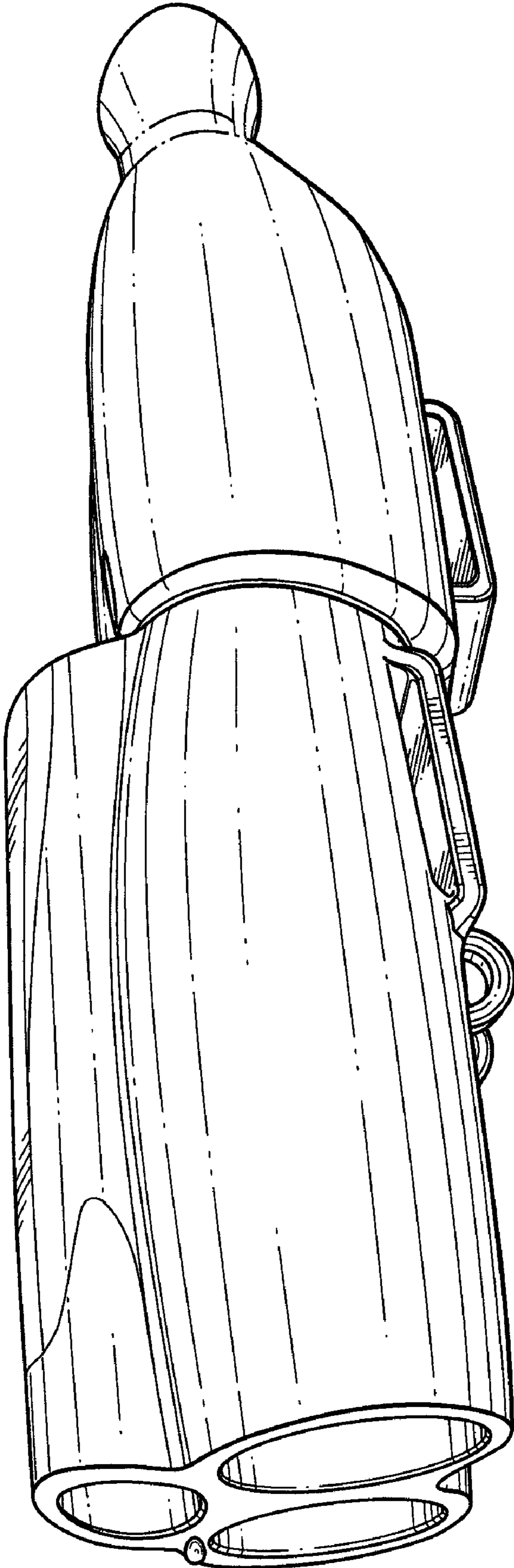
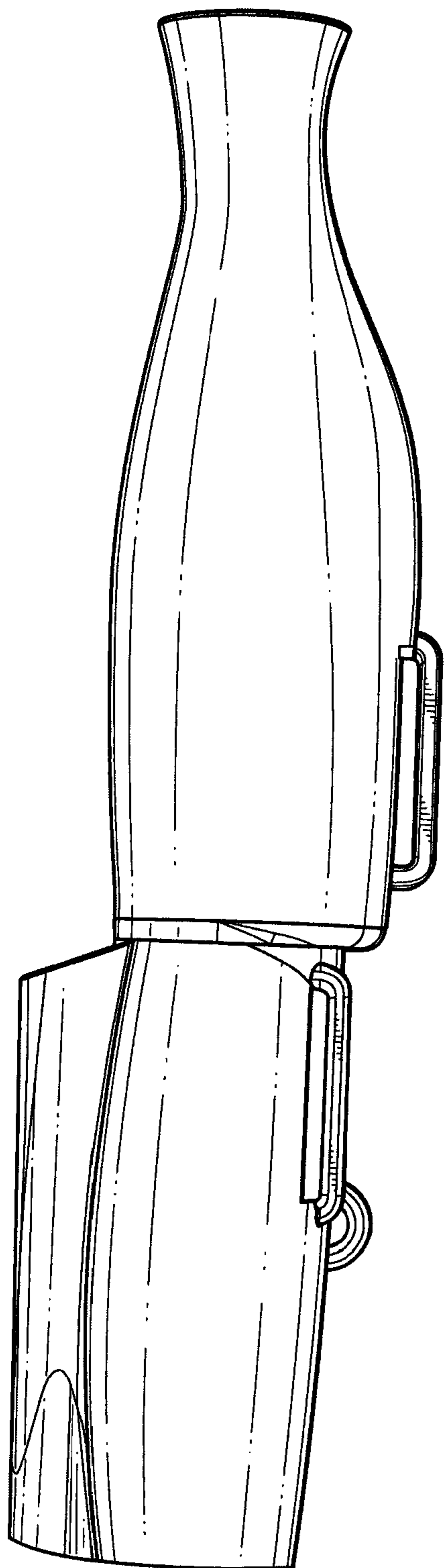
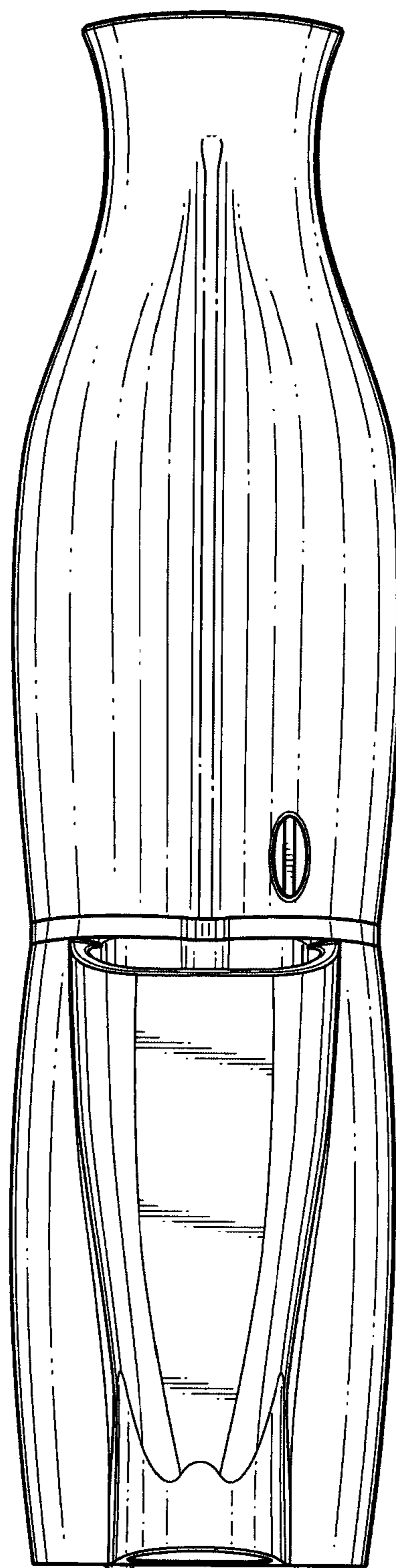


FIG. 1



**FIG. 2**



**FIG. 3**

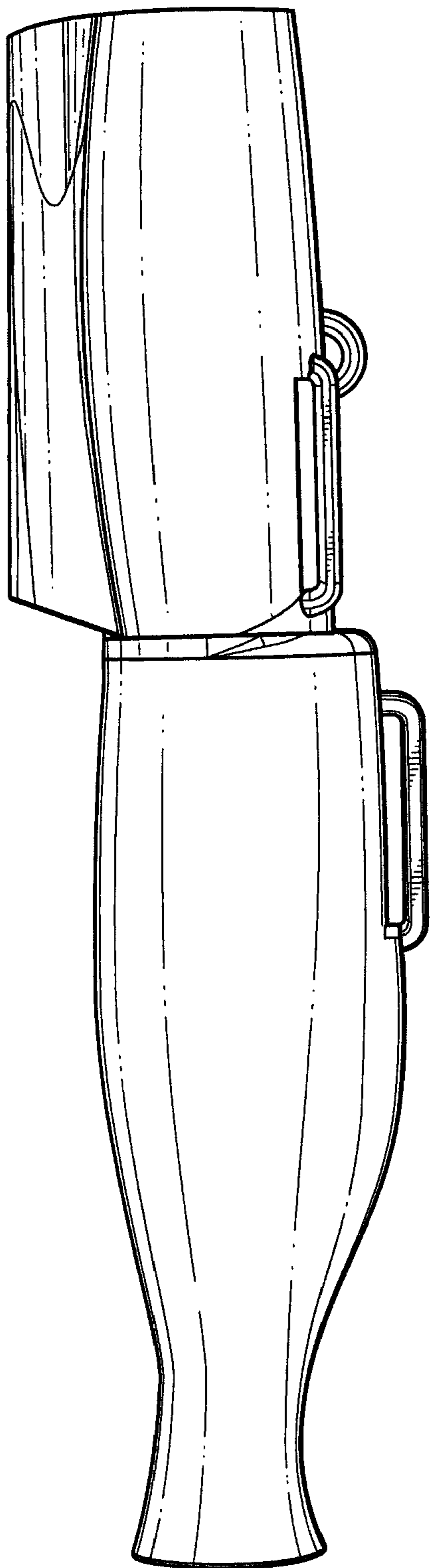


FIG. 4

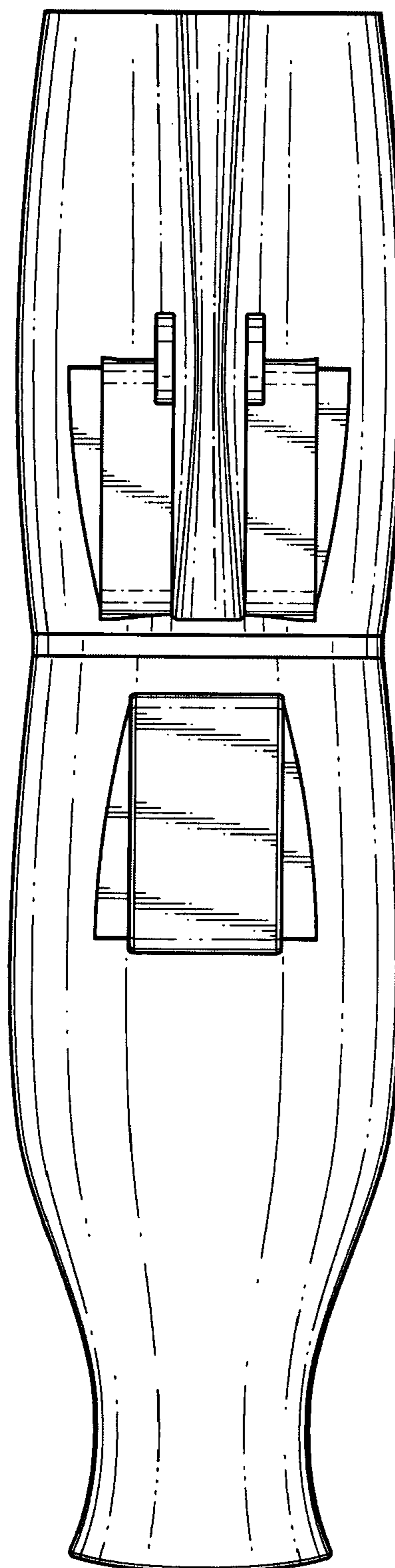
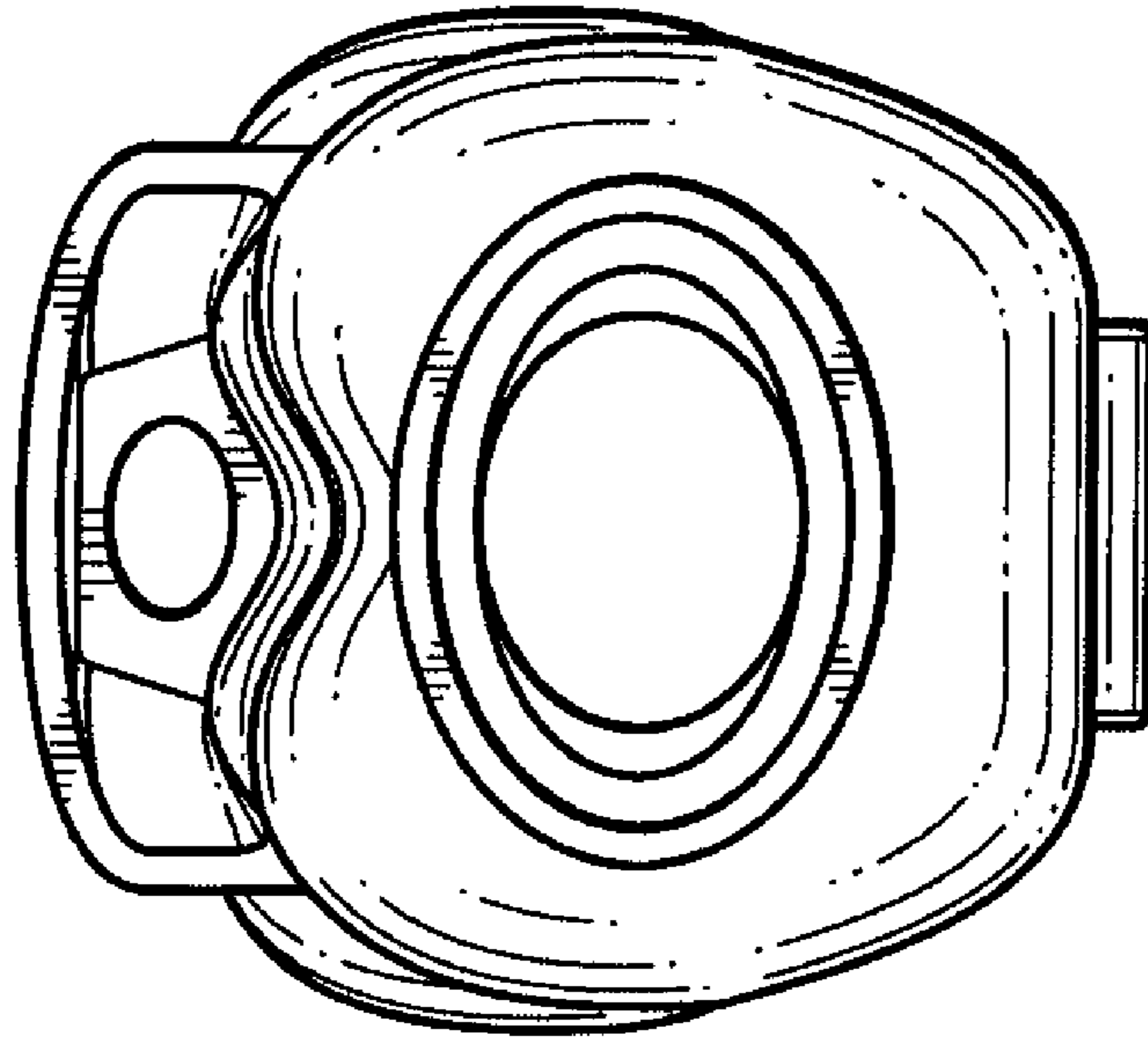
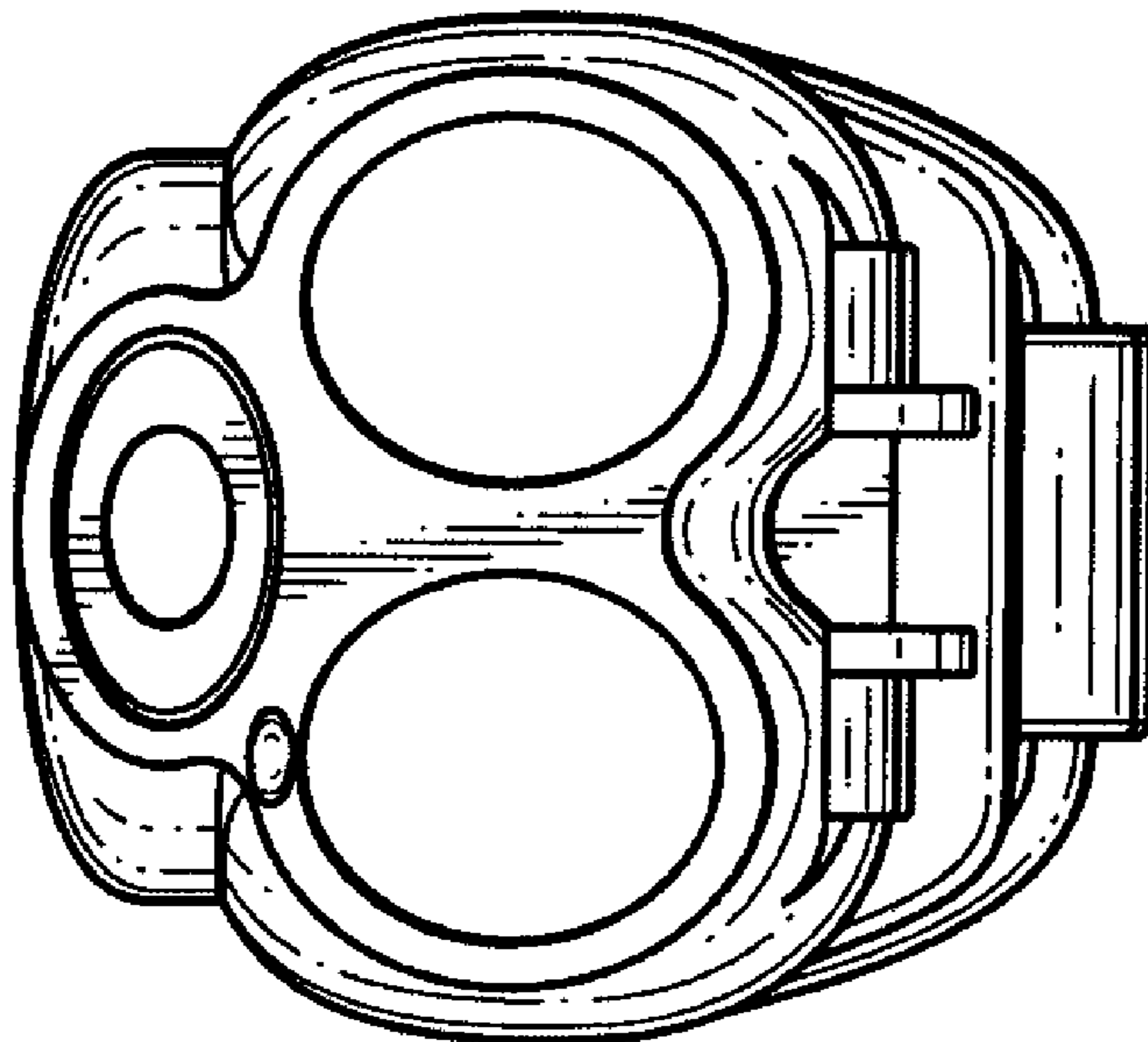


FIG. 5



**FIG. 7**



**FIG. 6**