



US00D639196S

(12) **United States Design Patent**
Sullivan et al.

(10) **Patent No.:** **US D639,196 S**

(45) **Date of Patent:** **** Jun. 7, 2011**

(54) **TURKEY CALL**

(76) Inventors: **Eric Bryan Sullivan**, Louisville, KY (US); **Jeffrey Scott Sullivan**, Louisville, KY (US)

(**) Term: **14 Years**

(21) Appl. No.: **29/364,959**

(22) Filed: **Jun. 30, 2010**

(51) **LOC (9) Cl.** **10-05**

(52) **U.S. Cl.** **D10/119.1**

(58) **Field of Classification Search** D10/116, D10/119, 120; 446/402, 204-206; 116/152, 116/159, 166; 370/469; D3/203.1-203.4; D26/45-46, 48-50; 42/68; 29/898.14
See application file for complete search history.

(56) **References Cited**

U.S. PATENT DOCUMENTS

4,934,082 A *	6/1990	Laendler	42/68
D328,703 S *	8/1992	Klumpyan	D3/203.4
D386,404 S *	11/1997	Kirk et al.	D3/203.4
D452,151 S *	12/2001	Scott	D3/302
6,711,819 B2 *	3/2004	Stall et al.	29/898.14

* cited by examiner

Primary Examiner — Caron D Veynar

Assistant Examiner — George D Kirschbaum

(74) *Attorney, Agent, or Firm* — Stoll Keenon Ogden PLLC; David J. Clement; Justin M. Tromp

(57) **CLAIM**

The ornamental design for a turkey call, as shown and described.

DESCRIPTION

This application is one of two design patent applications filed this same date, all two being different inventions relating to a turkey call. As such, the associated design patent application serial numbers are not yet known as of the filing of these applications.

FIG. 1 is a perspective top view of a turkey call according to the invention.

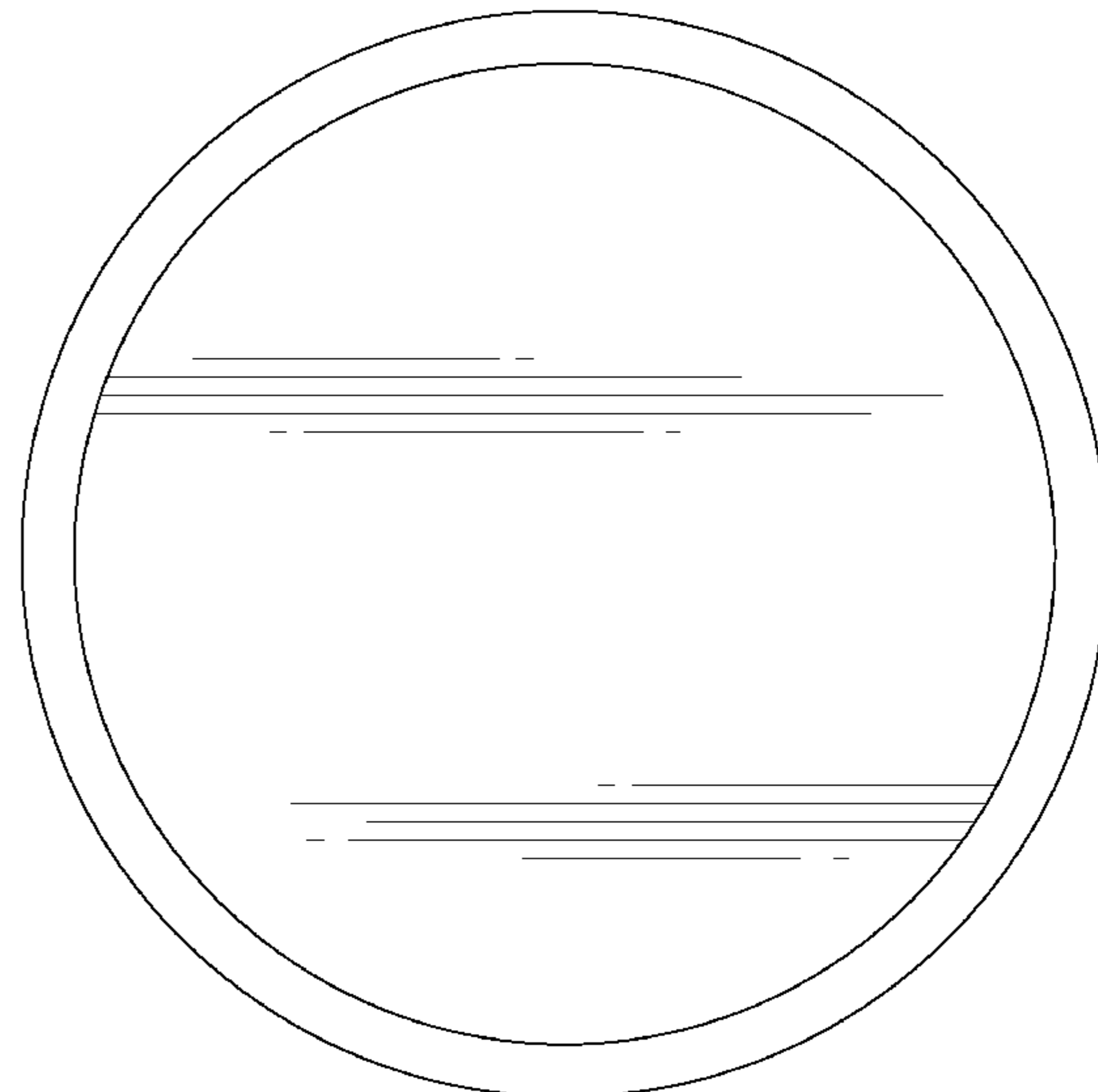
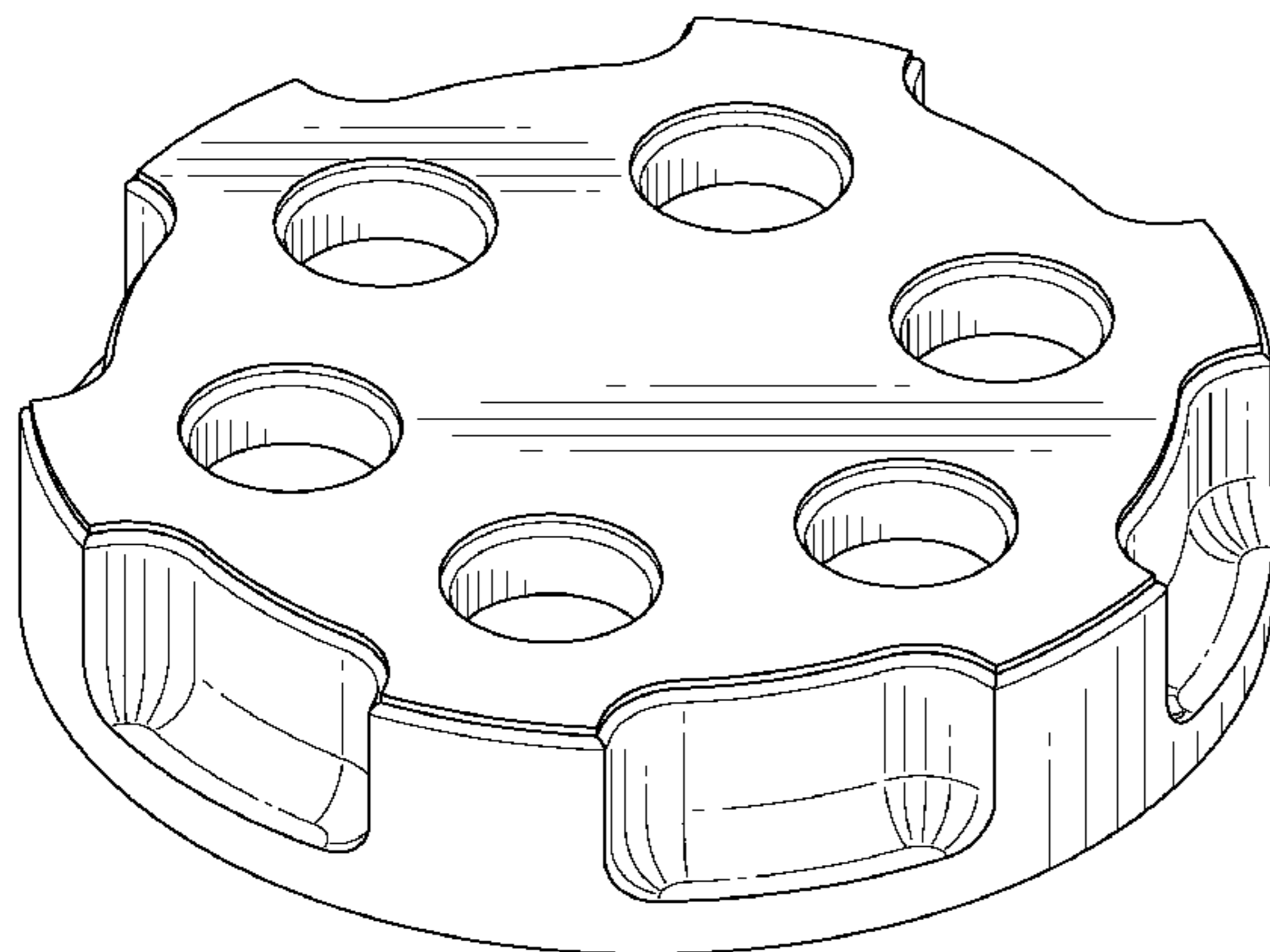
FIG. 2 is a top view of a turkey call according to the invention, FIG. 3 is a bottom view of a turkey call according to the invention.

FIG. 4 is a side view with reference to FIG. 2 viewed from perspective line 4-4 marked thereupon of a turkey call according to the invention.

FIG. 5 is a side view with reference to FIG. 2 viewed from perspective line 5-5 marked thereupon of a turkey call according to the invention; and,

FIG. 6 is a bottom view of a turkey call according to the invention

1 Claim, 6 Drawing Sheets



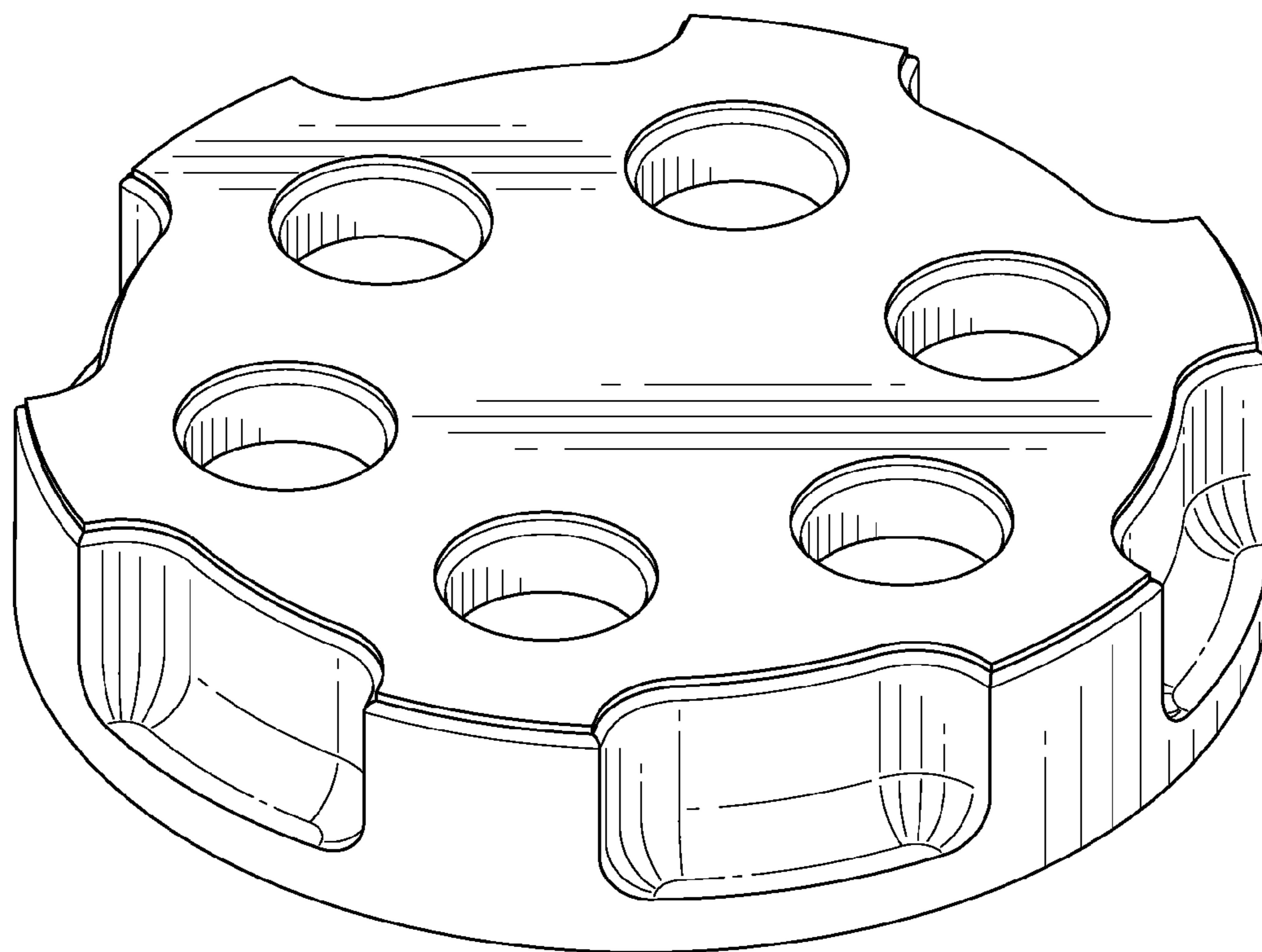


FIG. 1

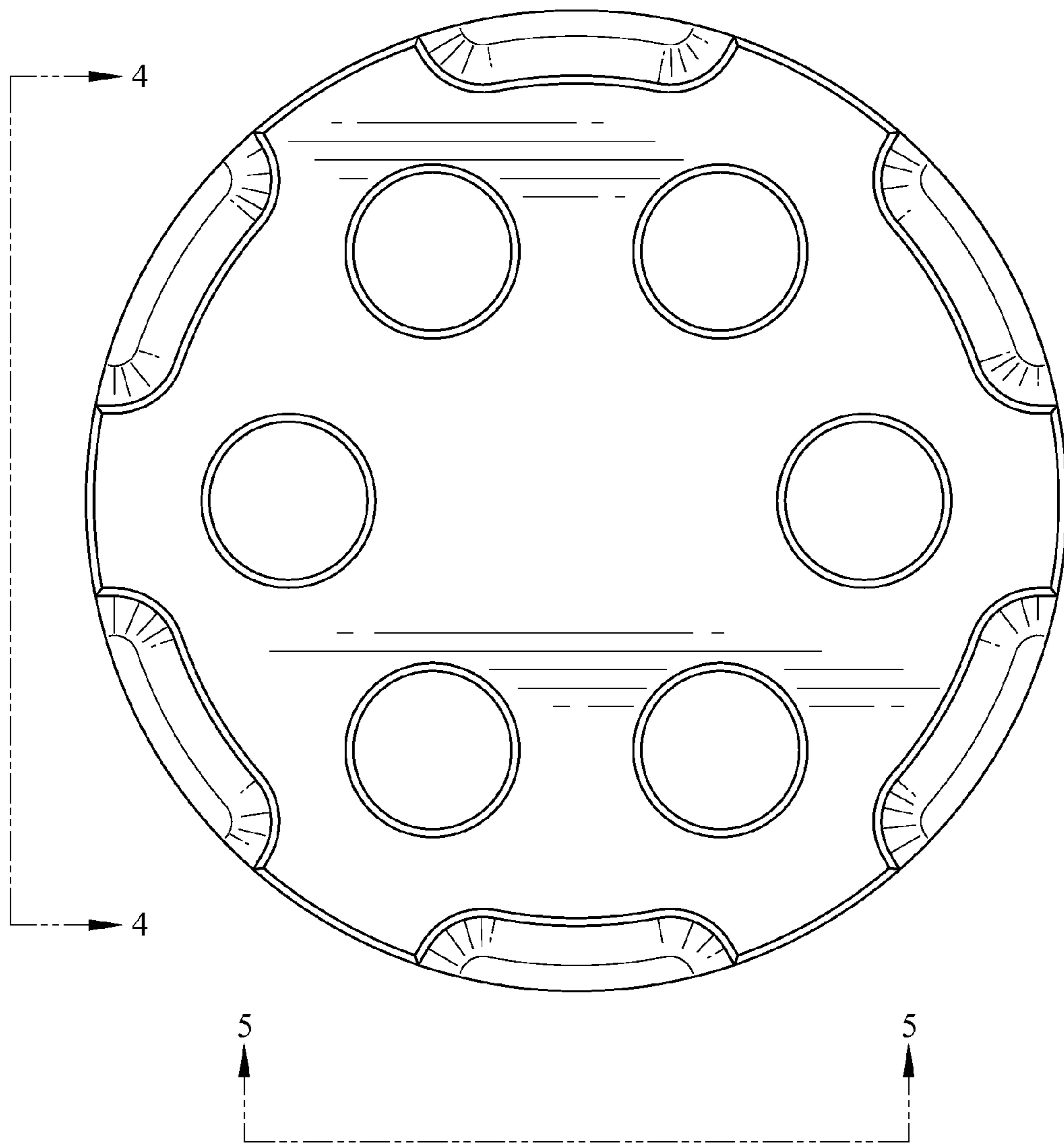


FIG. 2

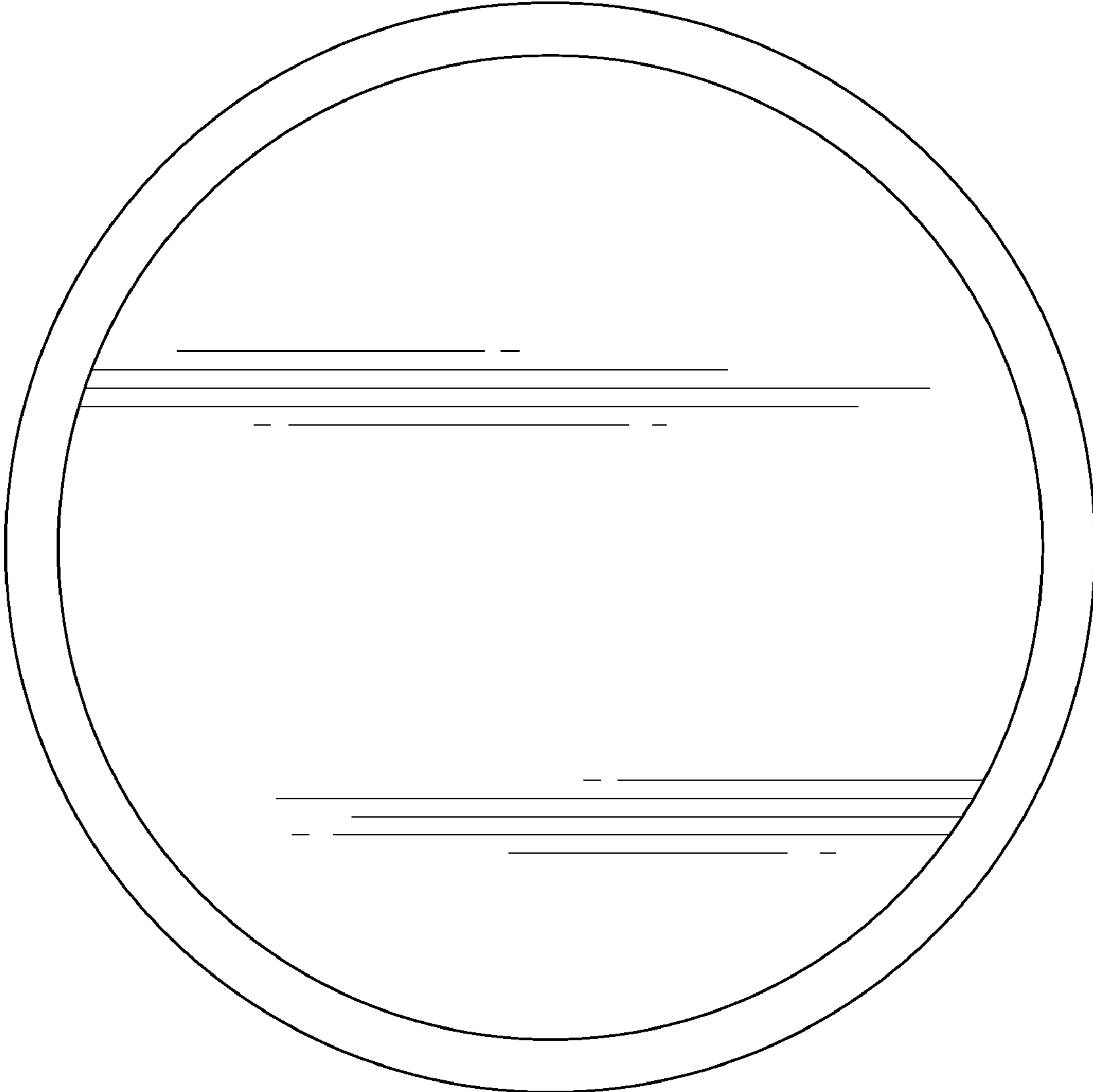


FIG. 3

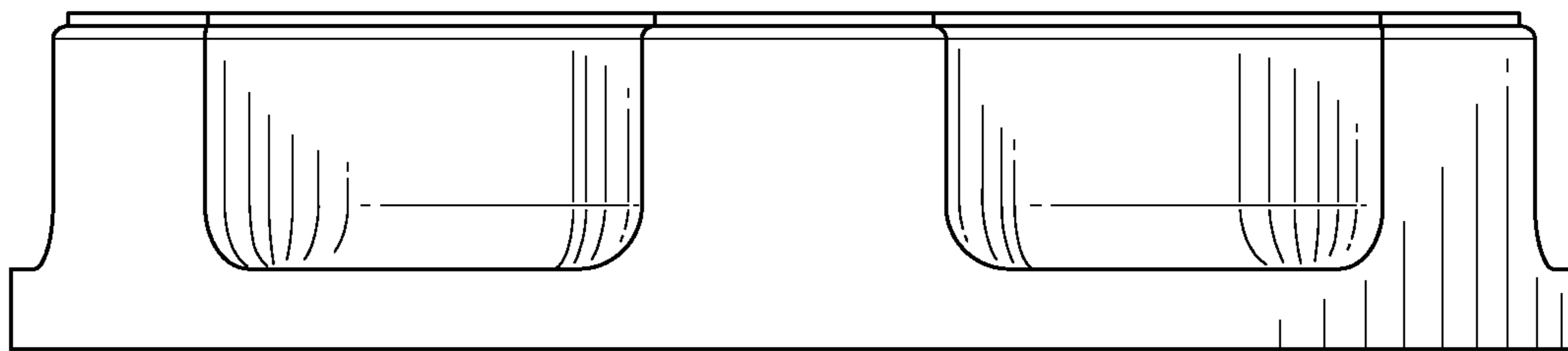


FIG. 4

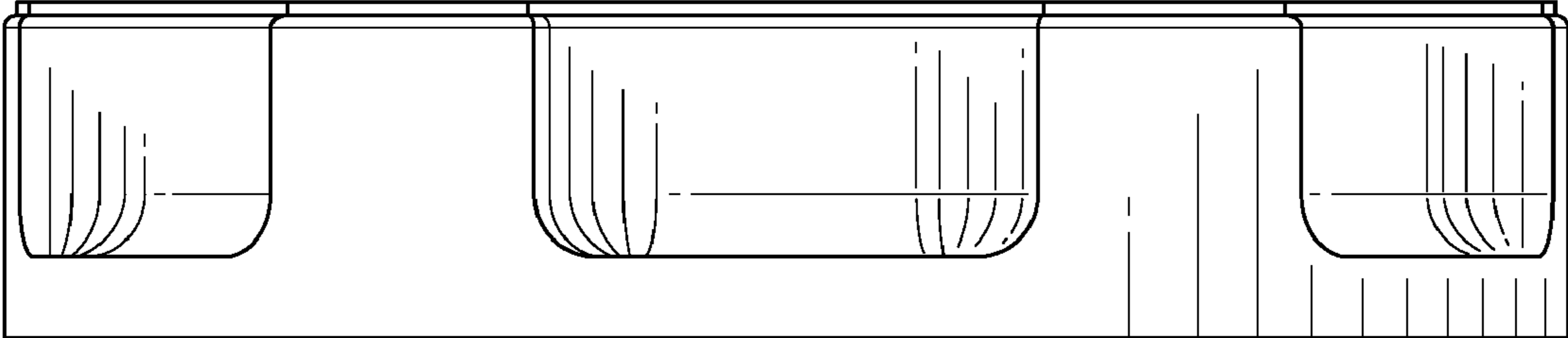


FIG. 5

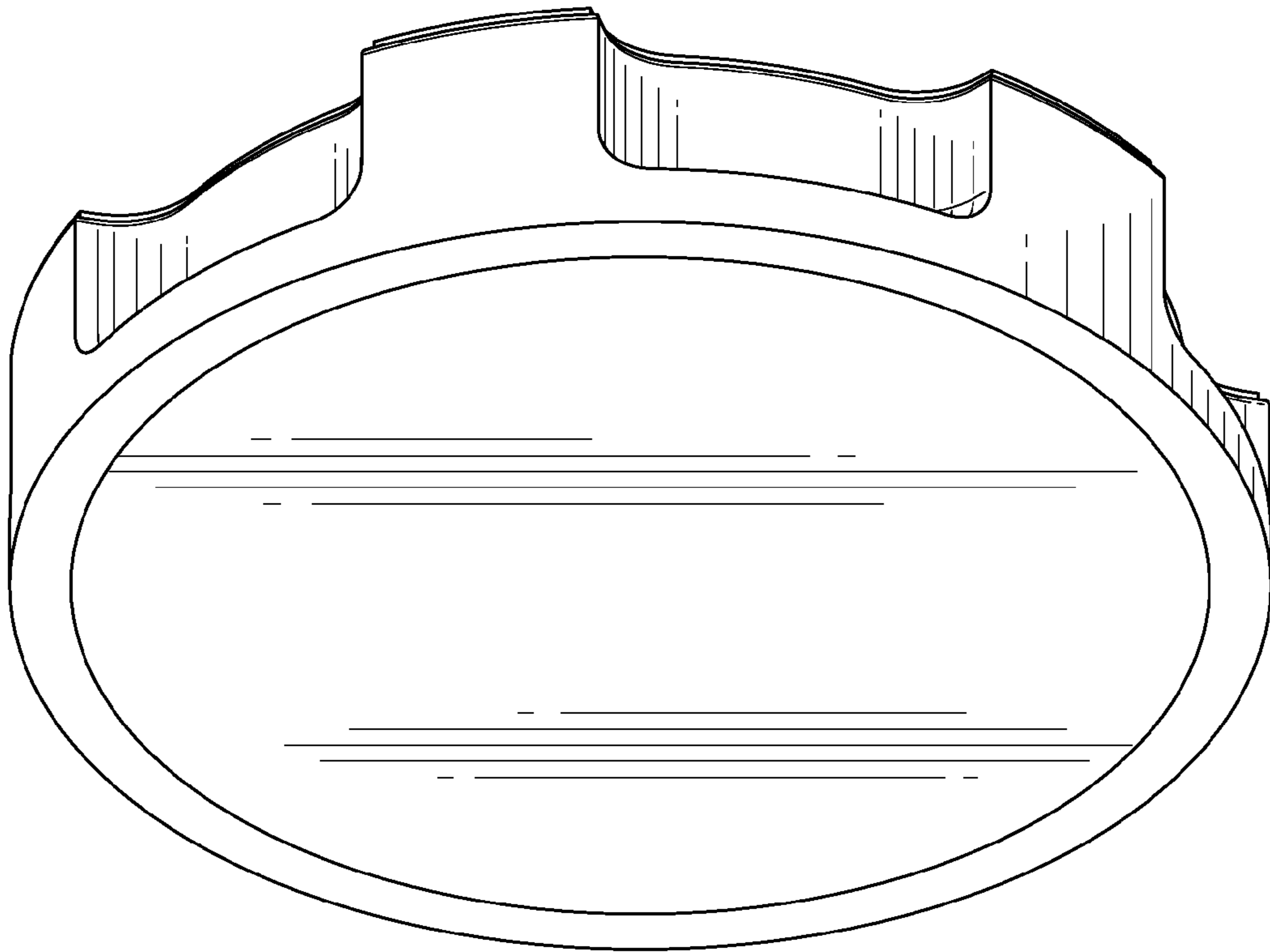


FIG. 6