

US00D639193S

(12) **United States Design Patent**
Roys

(10) **Patent No.:** **US D639,193 S**
(45) **Date of Patent:** **** Jun. 7, 2011**

- (54) **CYCLE INDICATOR FOR FLUID DISTRIBUTION SYSTEMS**
- (75) Inventor: **Curtis Roys**, Midland, TX (US)
- (73) Assignee: **Coltec Industrial Products, LLC**, Charlotte, NC (US)
- (**) Term: **14 Years**
- (21) Appl. No.: **29/359,497**
- (22) Filed: **Apr. 12, 2010**

5,835,372 A	11/1998	Roys et al.	
6,041,815 A	3/2000	Nichols	
6,748,897 B2	6/2004	Enzaki et al.	
6,823,270 B1	11/2004	Roys	
7,059,194 B1	6/2006	Lueck et al.	
7,164,336 B2	1/2007	Rausch et al.	
D570,236 S	6/2008	Roys	
7,437,988 B2 *	10/2008	Andersson et al.	92/5 R
7,451,684 B2 *	11/2008	Muller et al.	91/1
7,461,670 B1	12/2008	Roys	
D591,627 S	5/2009	Roys	
D613,631 S	4/2010	Roys	
2002/0017324 A1	2/2002	Hisamura et al.	
2009/0205440 A1 *	8/2009	Spieß	73/861.53

* cited by examiner

Related U.S. Application Data

- (60) Continuation of application No. 29/336,545, filed on May 5, 2009, now Pat. No. Des. 613,631, which is a continuation of application No. 29/319,038, filed on Jun. 3, 2008, now Pat. No. Des. 591,627, which is a continuation of application No. 29/304,491, filed on Mar. 3, 2008, now Pat. No. Des. 570,236, which is a division of application No. 11/186,461, filed on Jul. 21, 2005, now Pat. No. 7,461,670.
 - (51) **LOC (9) Cl.** **10-04**
 - (52) **U.S. Cl.** **D10/101**
 - (58) **Field of Classification Search** D10/101;
137/553, 556, 559; 251/33, 41, 65; 92/5 R;
116/277
- See application file for complete search history.

(56) **References Cited**

U.S. PATENT DOCUMENTS

2,446,657 A	8/1948	MacLeod et al.
2,533,491 A	12/1950	McMahon et al.
2,638,582 A	5/1953	Urso et al.
3,980,040 A	9/1976	Read
4,424,716 A	1/1984	Boehringer et al.
5,535,698 A	7/1996	Trevisan
5,602,373 A	2/1997	Sauer et al.
5,609,184 A	3/1997	Apel et al.
5,655,568 A	8/1997	Bhargava et al.

Primary Examiner — Antoine D Davis

(74) *Attorney, Agent, or Firm* — Holland & Hart LLP

(57) **CLAIM**

I claim the ornamental design for the cycle indicator for fluid distribution systems, as shown and described.

DESCRIPTION

FIG. 1 is a front perspective view of the cycle indicator for fluid distribution systems according to the present design.

FIG. 2 is a front view of the cycle indicator for fluid distribution systems according to the present design.

FIG. 3 is a back view of the cycle indicator for fluid distribution systems according to the present design.

FIG. 4 is a top view of the cycle indicator for fluid distribution systems according to the present design.

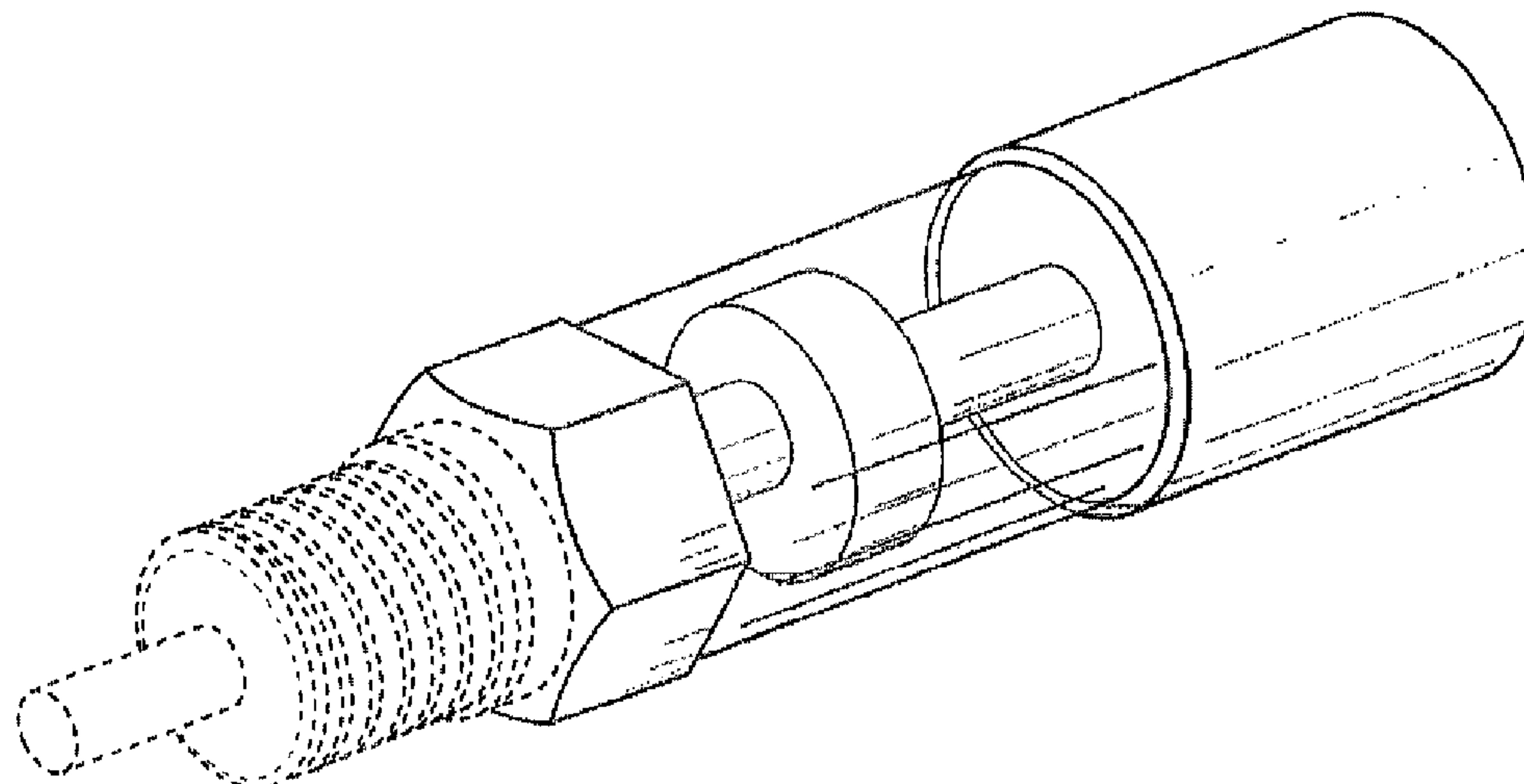
FIG. 5 is a bottom view of the cycle indicator for fluid distribution systems according to the present design.

FIG. 6 is a right side view of the cycle indicator for fluid distribution systems according to the present design; and,

FIG. 7 is a left side view of the cycle indicator for fluid distribution systems according to the present design.

The broken line showing of structural features is included for the purpose of illustrating non-claimed subject matter and forms no part of the claimed design.

1 Claim, 3 Drawing Sheets



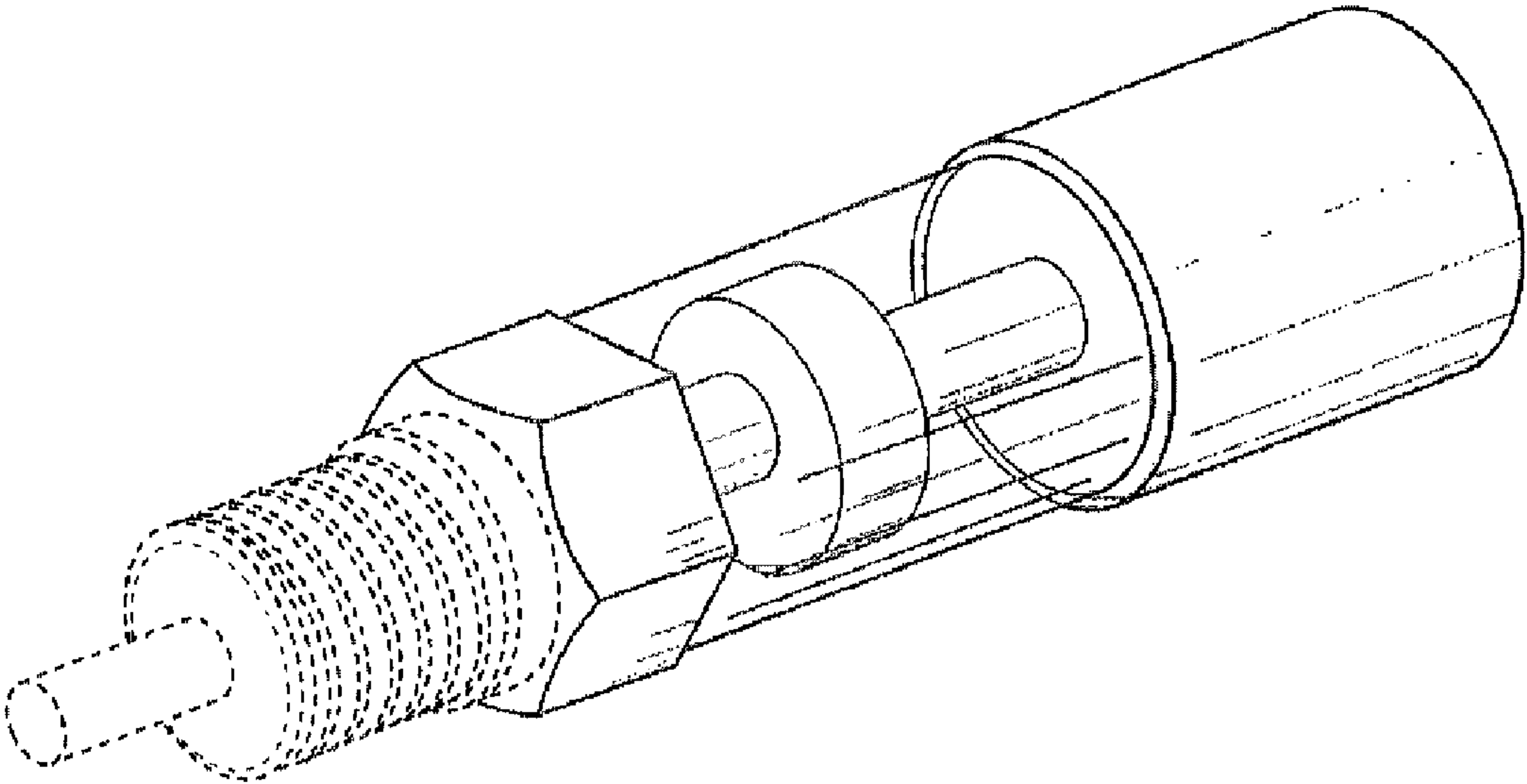


FIG. 1

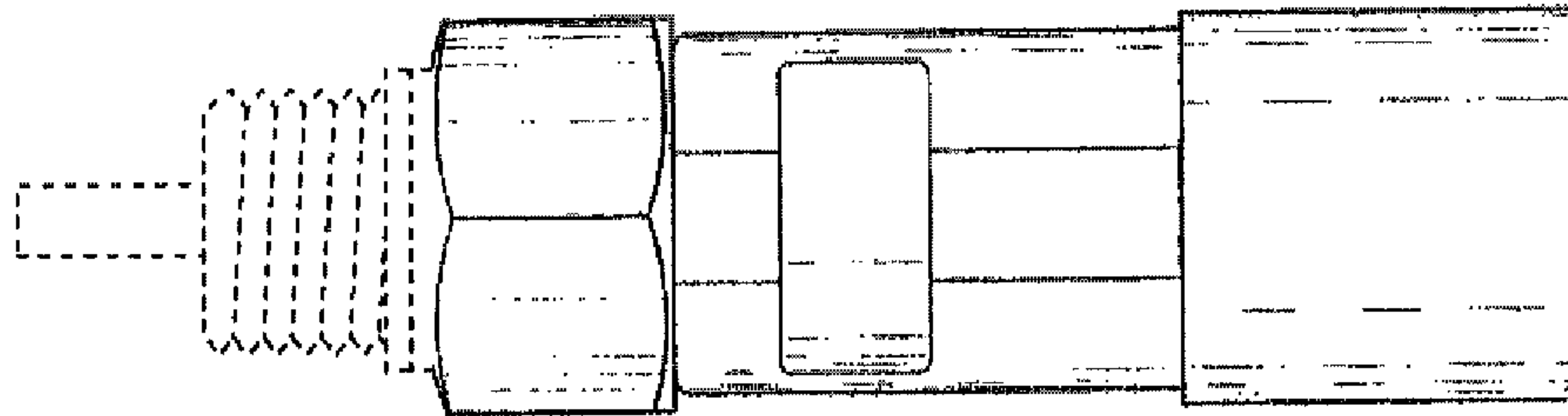


FIG. 2

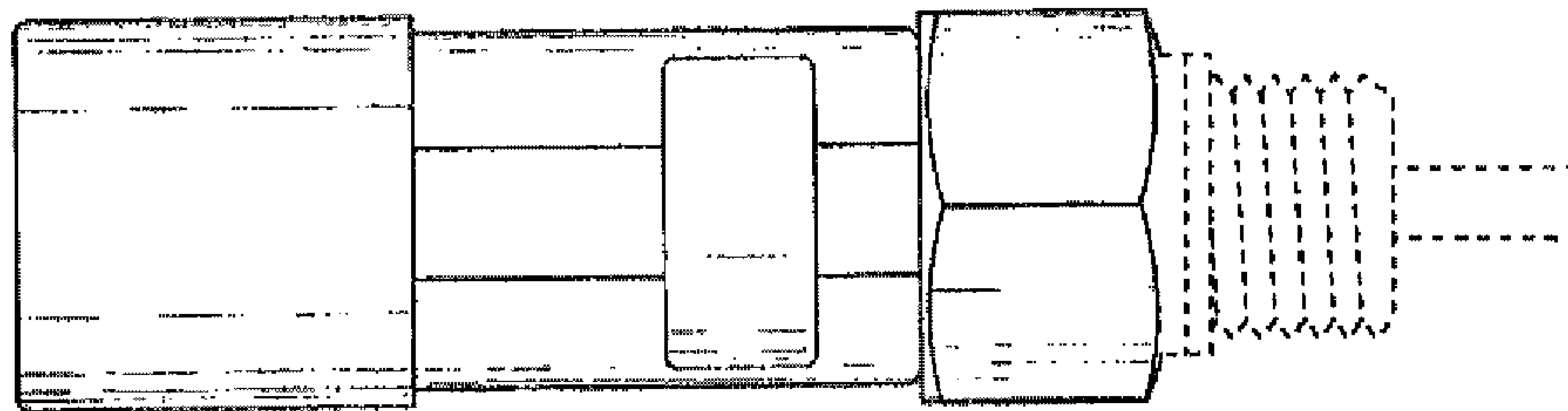


FIG. 3

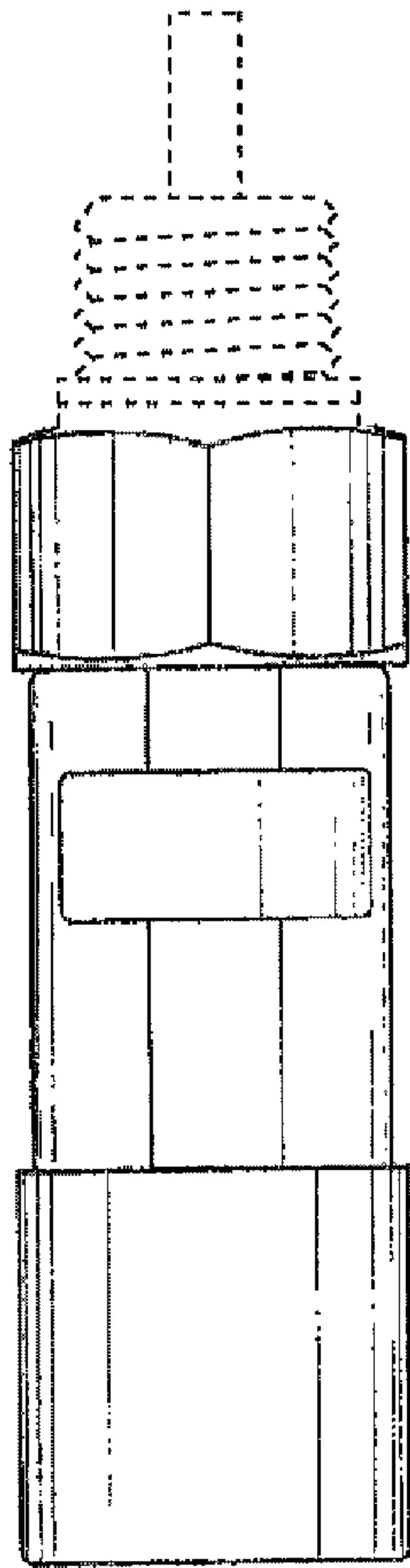


FIG. 4

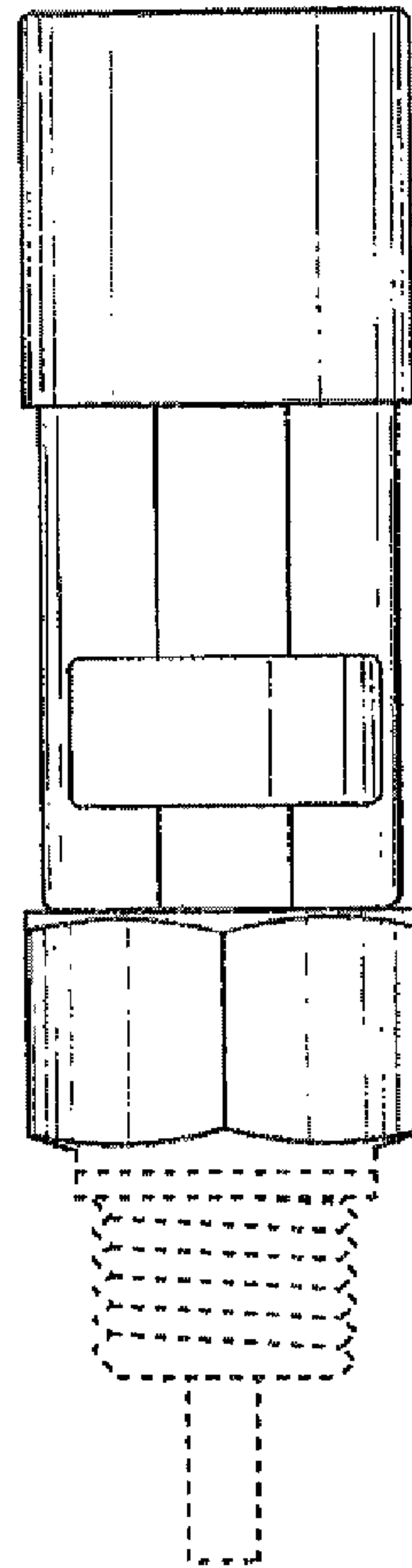


FIG. 5

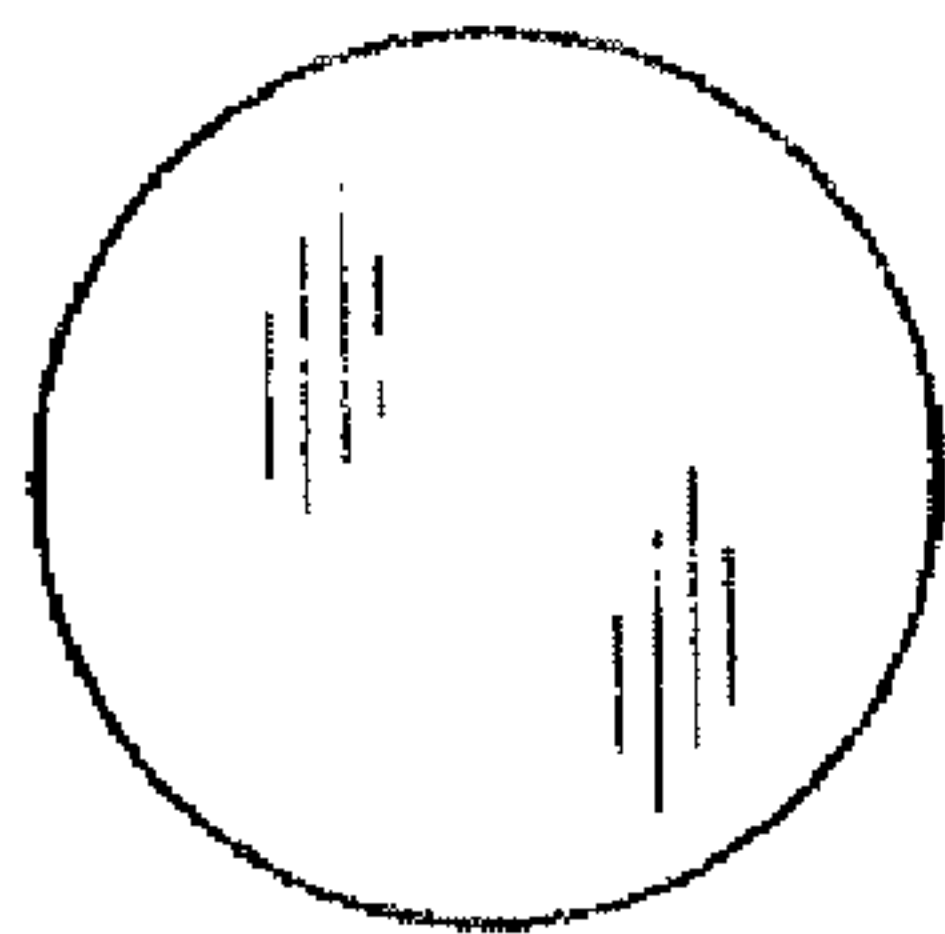


FIG. 6

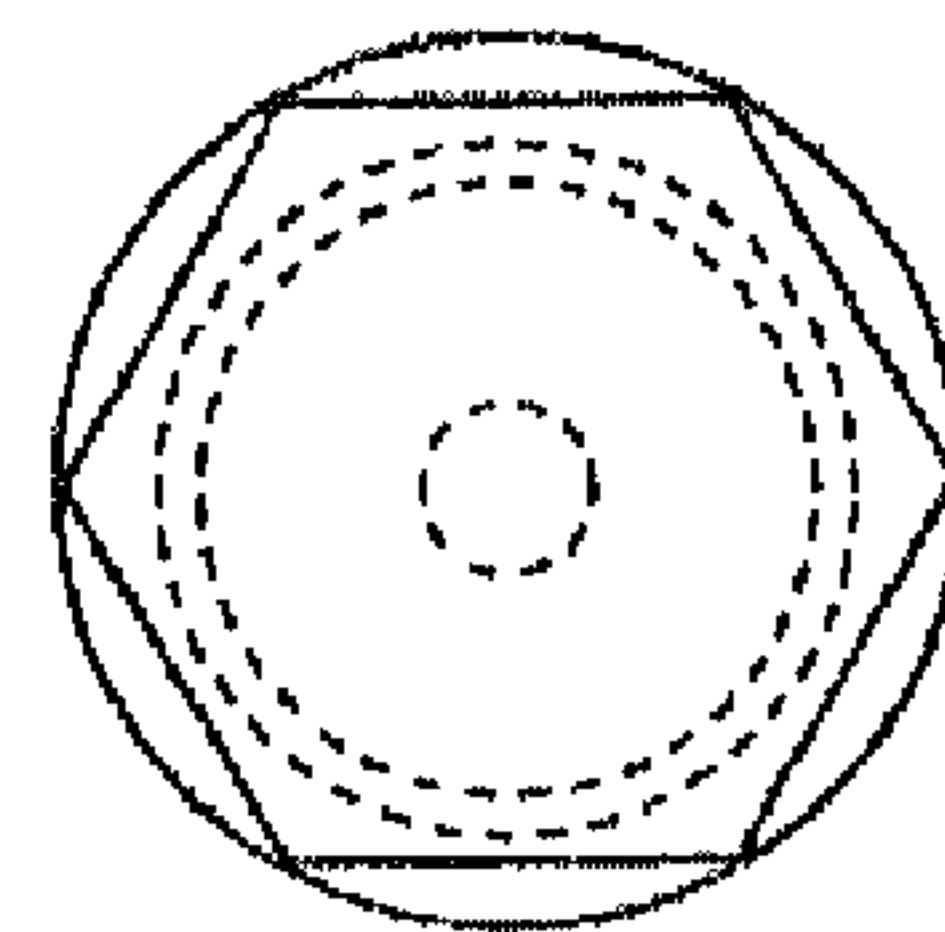


FIG. 7