

US00D639190S

(12) **United States Design Patent**
Cook

(10) **Patent No.:** **US D639,190 S**

(45) **Date of Patent:** **** Jun. 7, 2011**

(54) **LONG TAPE**

2008/0230015 A1* 9/2008 Bleshoy 242/381.6

* cited by examiner

(75) Inventor: **Vincent Cook**, Milford, CT (US)

Primary Examiner — Antoine D Davis

(73) Assignee: **Stanley Black & Decker, Inc.**, New Britain, CT (US)

(74) *Attorney, Agent, or Firm* — Pillsbury Winthrop Shaw Pittman LLP

(**) Term: **14 Years**

(57) **CLAIM**

The ornamental design for a long tape, as shown and described.

(21) Appl. No.: **29/362,936**

DESCRIPTION

(22) Filed: **Jun. 2, 2010**

(51) **LOC (9) Cl.** **10-04**

FIG. 1 is an isometric view according to my design;

(52) **U.S. Cl.** **D10/72**

FIG. 2 is a front plan view of the design of FIG. 1;

(58) **Field of Classification Search** D10/72,

FIG. 3 is a rear plan view of the design of FIG. 1;

D10/74; 33/755-771; 242/285, 291, 379,

FIG. 4 is a right side plan view of the design of FIG. 1;

242/379.1, 379.2, 381, 381.1-381.6, 405

FIG. 5 is a left side plan view of the design of FIG. 1;

See application file for complete search history.

FIG. 6 is a top plan view of the design of FIG. 1; and,

FIG. 7 is a bottom plan view of the design of FIG. 1.

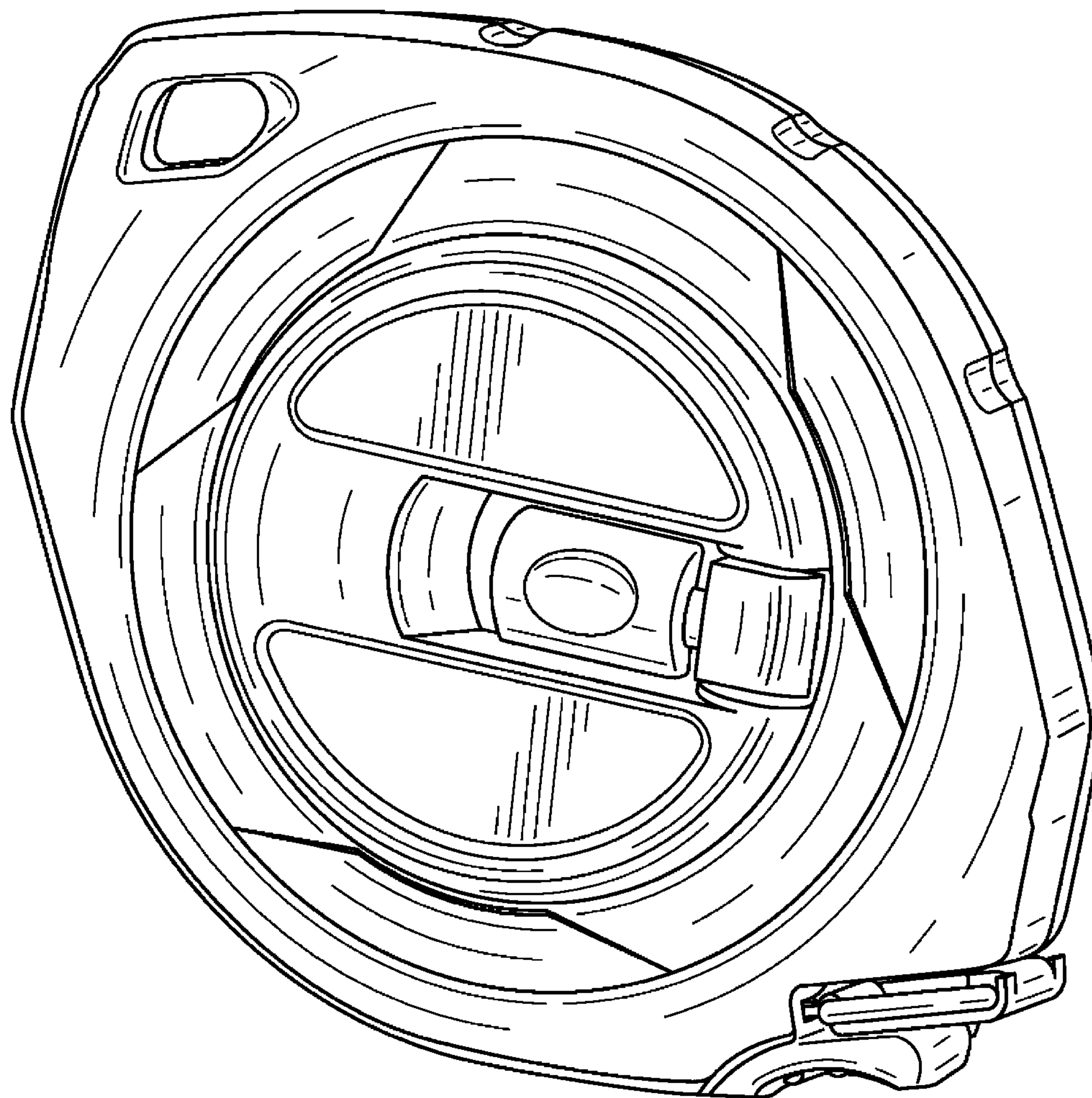
Where included, broken lines showing environment or structure are for illustrative purposes only and form no part of the claimed design.

(56) **References Cited**

U.S. PATENT DOCUMENTS

D528,932 S * 9/2006 Huang D10/72

1 Claim, 5 Drawing Sheets



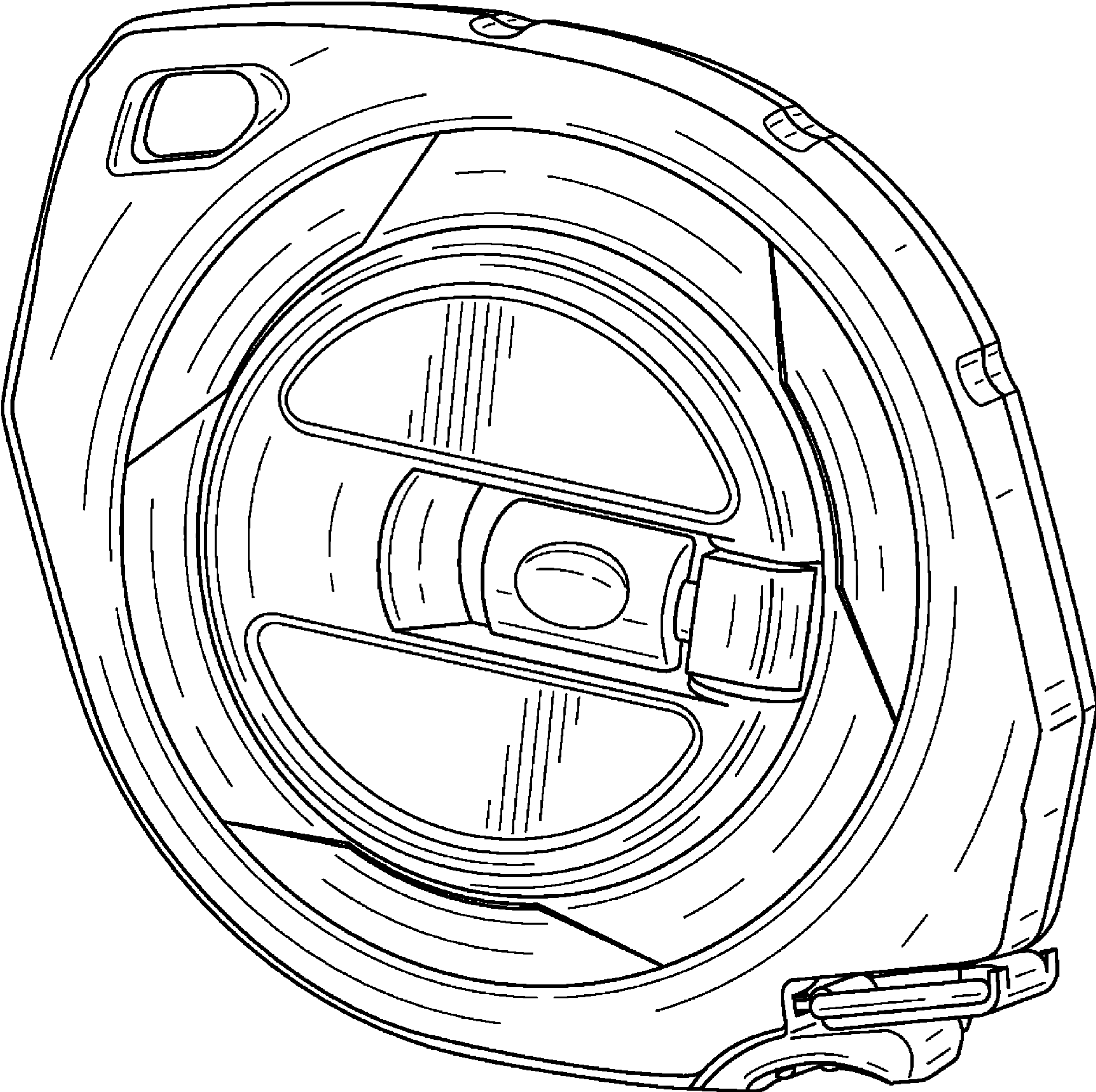


FIG. 1

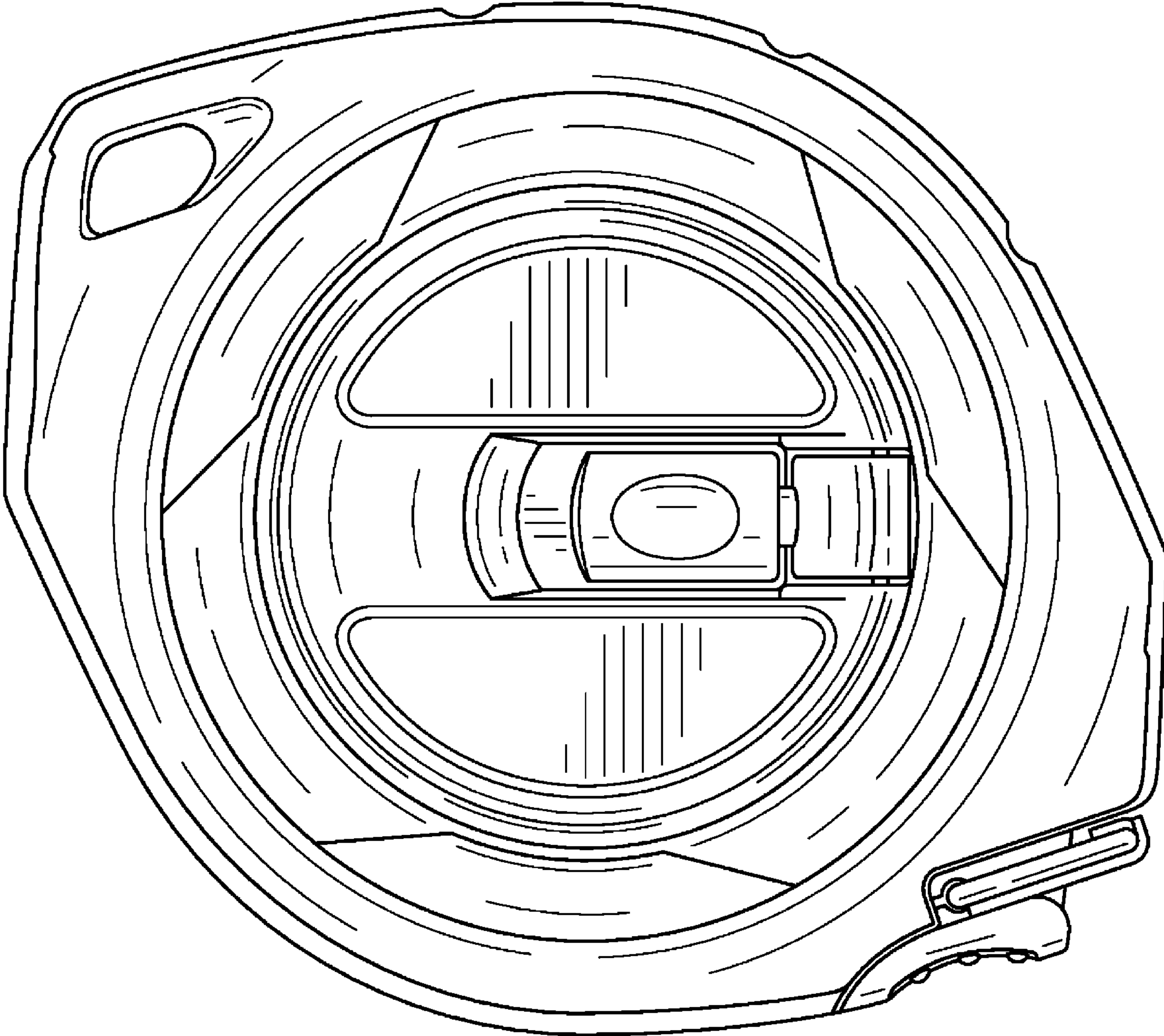


FIG. 2

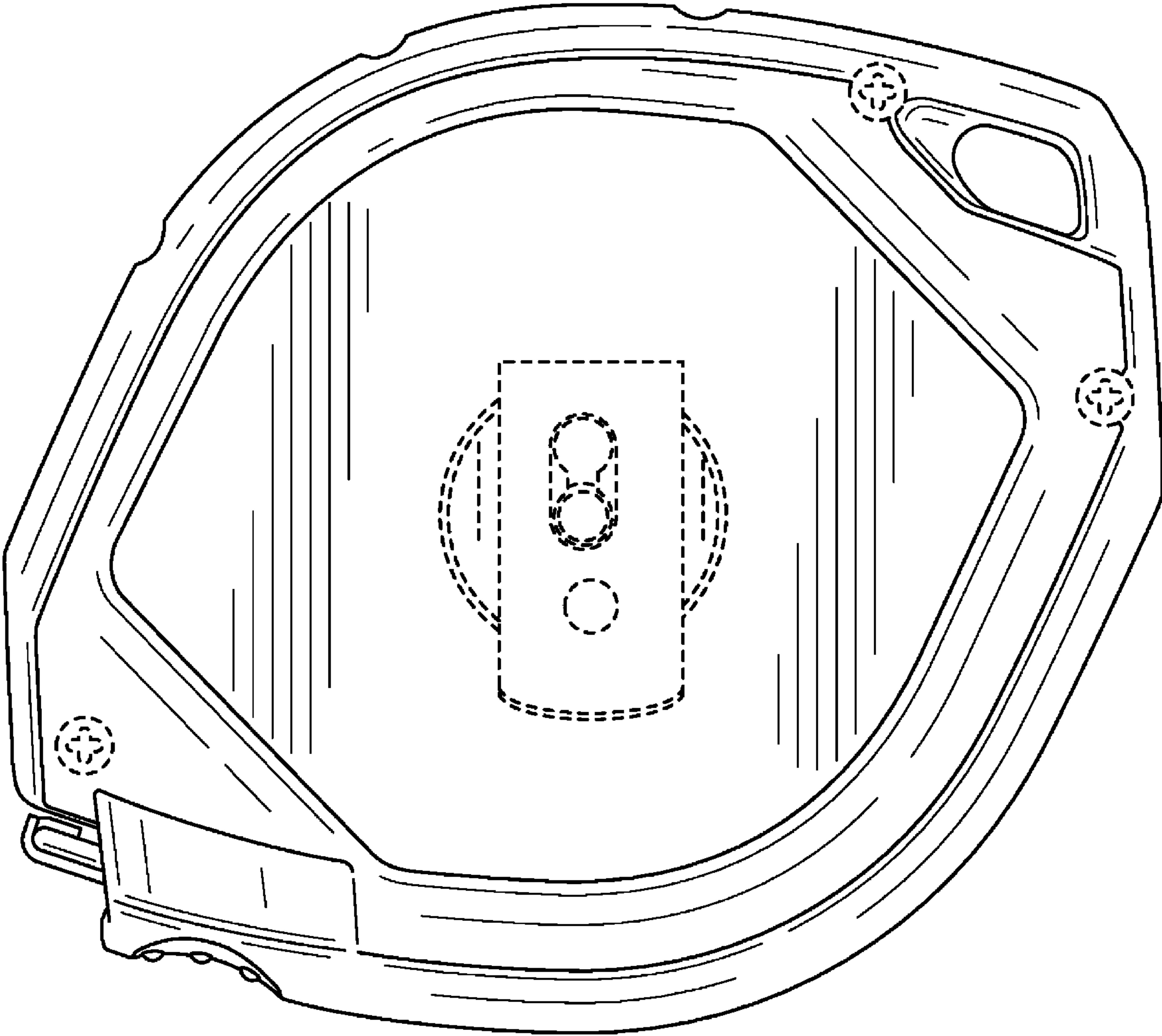


FIG. 3

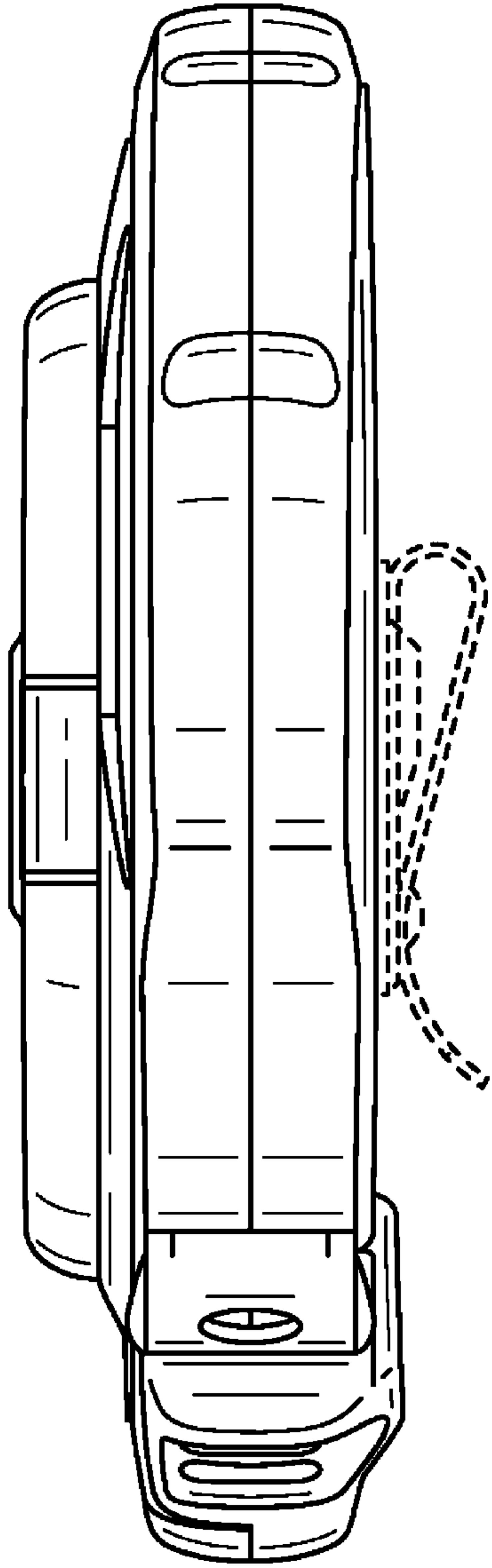


FIG. 4

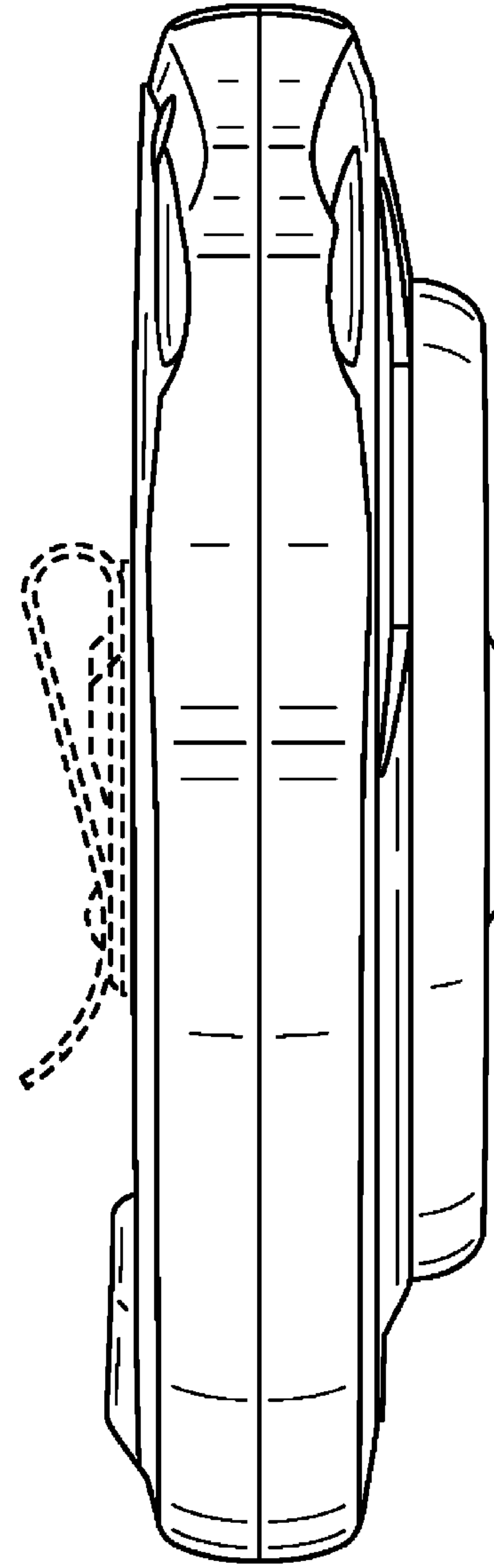


FIG. 5

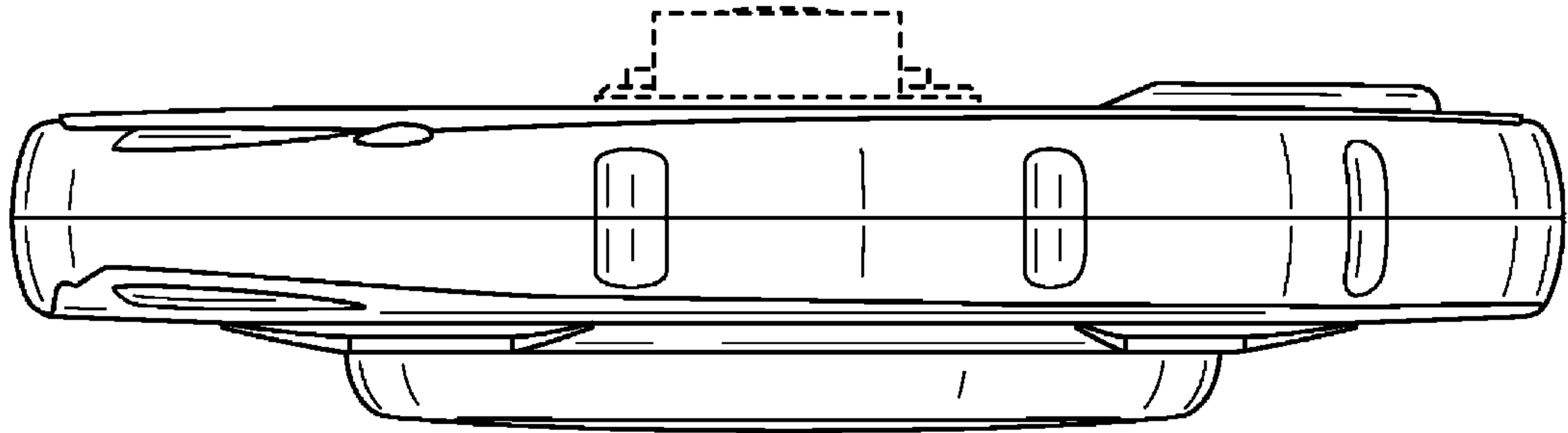


FIG. 6

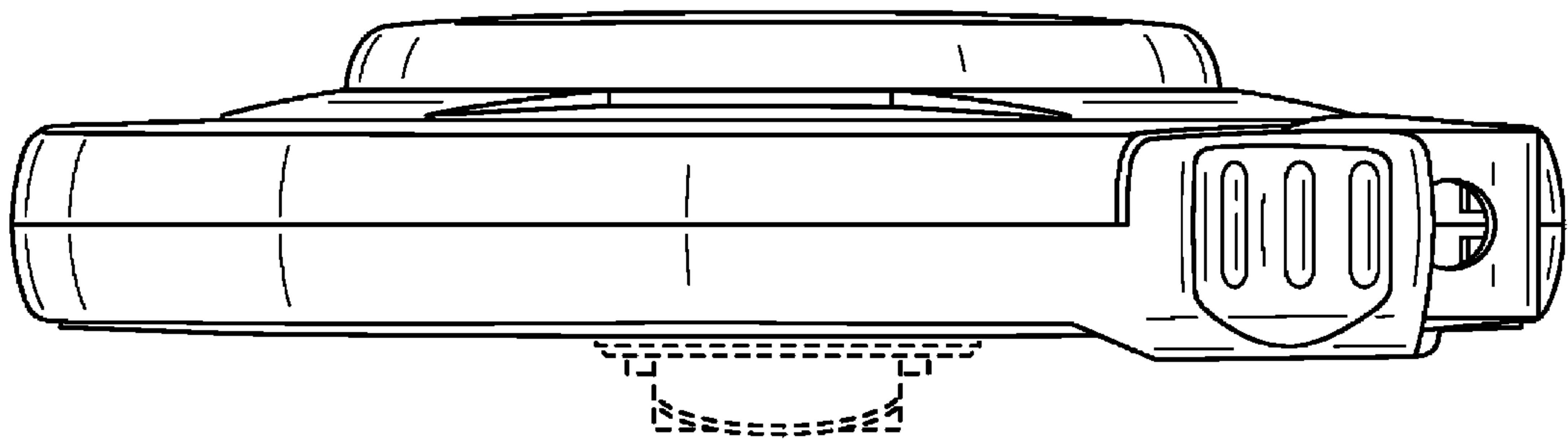


FIG. 7