



US00D639189S

(12) **United States Design Patent**
Newman et al.

(10) **Patent No.:** **US D639,189 S**
(45) **Date of Patent:** **** Jun. 7, 2011**

(54) **POWER OPERATED HAND-HELD FORCIBLE ENTRY DEVICE**

(75) Inventors: **Philip Newman**, Boca Raton, FL (US);
Richard Thaw, Boca Raton, FL (US)

(73) Assignee: **Rainbow Precision Manufacturing, Inc.**, Palm Beach Gardens, FL (US)

(**) Term: **14 Years**

(21) Appl. No.: **29/362,360**

(22) Filed: **May 25, 2010**

Related U.S. Application Data

(63) Continuation-in-part of application No. 12/786,630, filed on May 25, 2010.

(51) **LOC (9) Cl.** **10-04**

(52) **U.S. Cl.** **D10/68; D29/124; D34/31**

(58) **Field of Classification Search** **D8/62, D8/68; D29/124; D34/31; 29/256, 275; 254/8 B, 98, 93 A, 93 H, 93 R**

See application file for complete search history.

(56) **References Cited**

U.S. PATENT DOCUMENTS

D595,472 S * 6/2009 Kimura D34/31
* cited by examiner

Primary Examiner — Antoine D Davis

(74) *Attorney, Agent, or Firm* — Gold & Rizvi, P.A.; H. John Rizvi; Glenn E. Gold

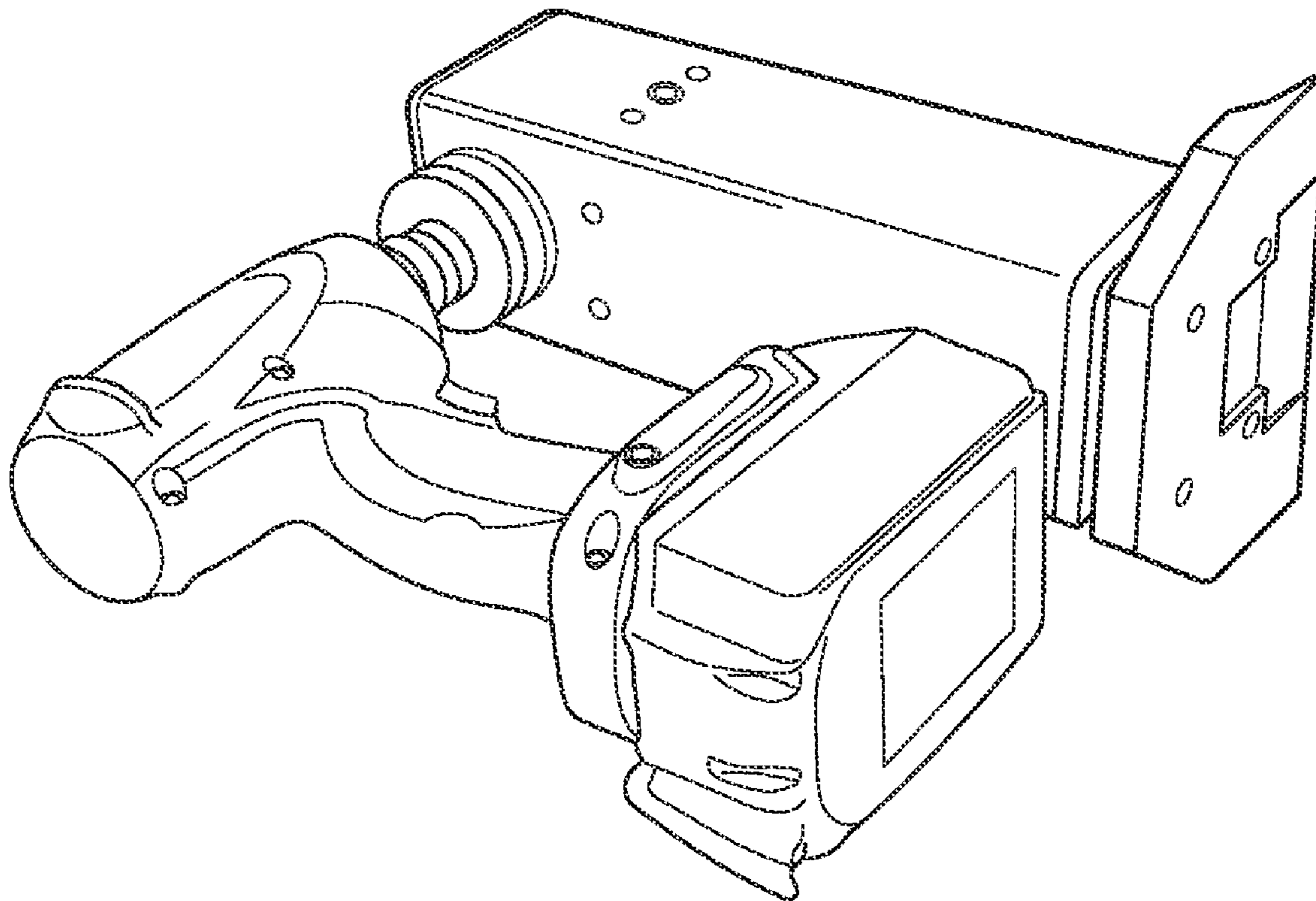
(57) **CLAIM**

We claim the ornamental design for a power-operated hand-held forcible entry device, as shown and described.

DESCRIPTION

FIG. 1 is a perspective view of a powered hand-held forcible entry device showing our new design;
FIG. 2 is a top view thereof;
FIG. 3 is a right side view thereof.
FIG. 4 is a top plan view thereof.
FIG. 5 is a bottom plan view.
FIG. 6 is front side view; and,
FIG. 7 is a back side view thereof.

1 Claim, 3 Drawing Sheets



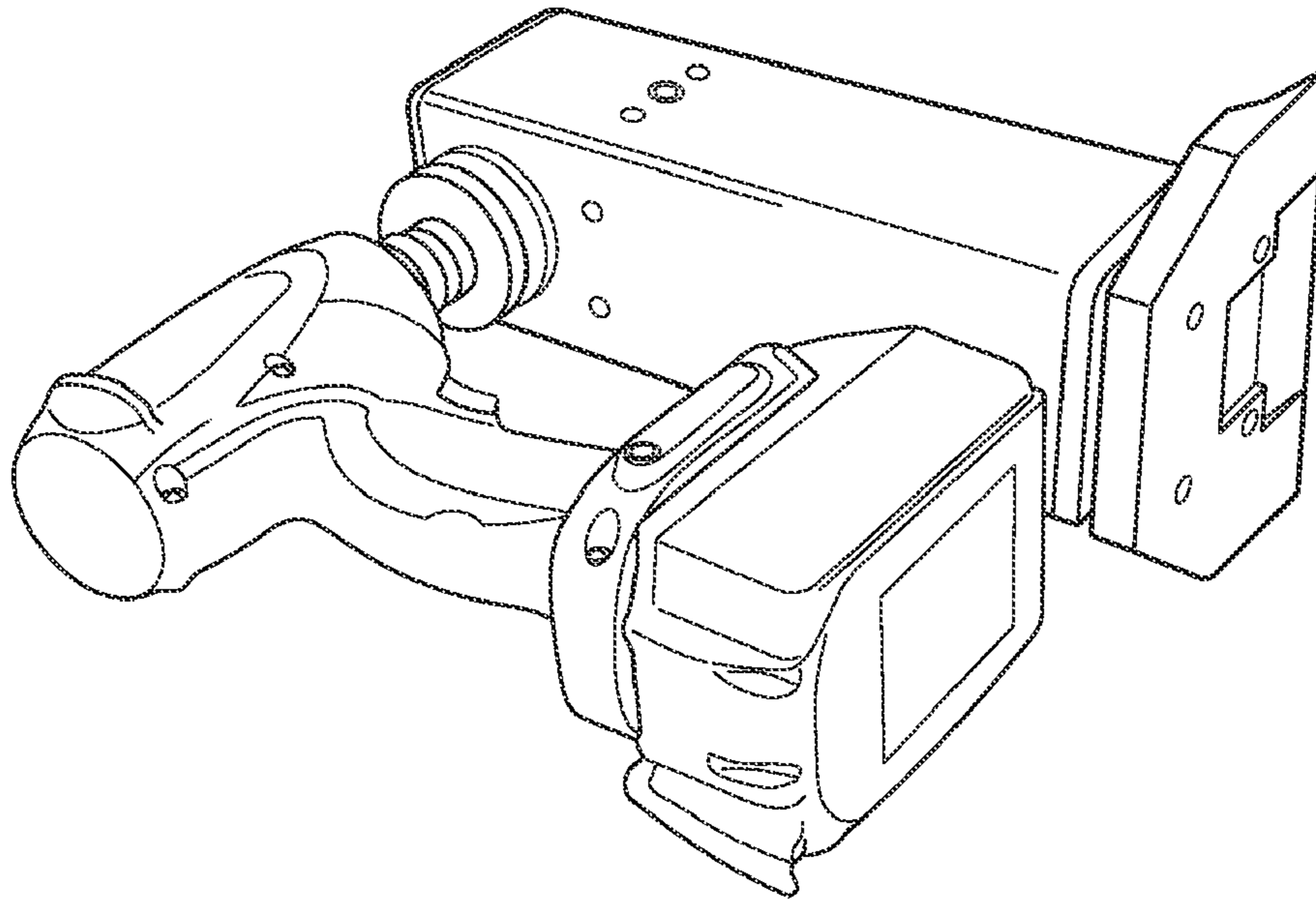


Fig. 1

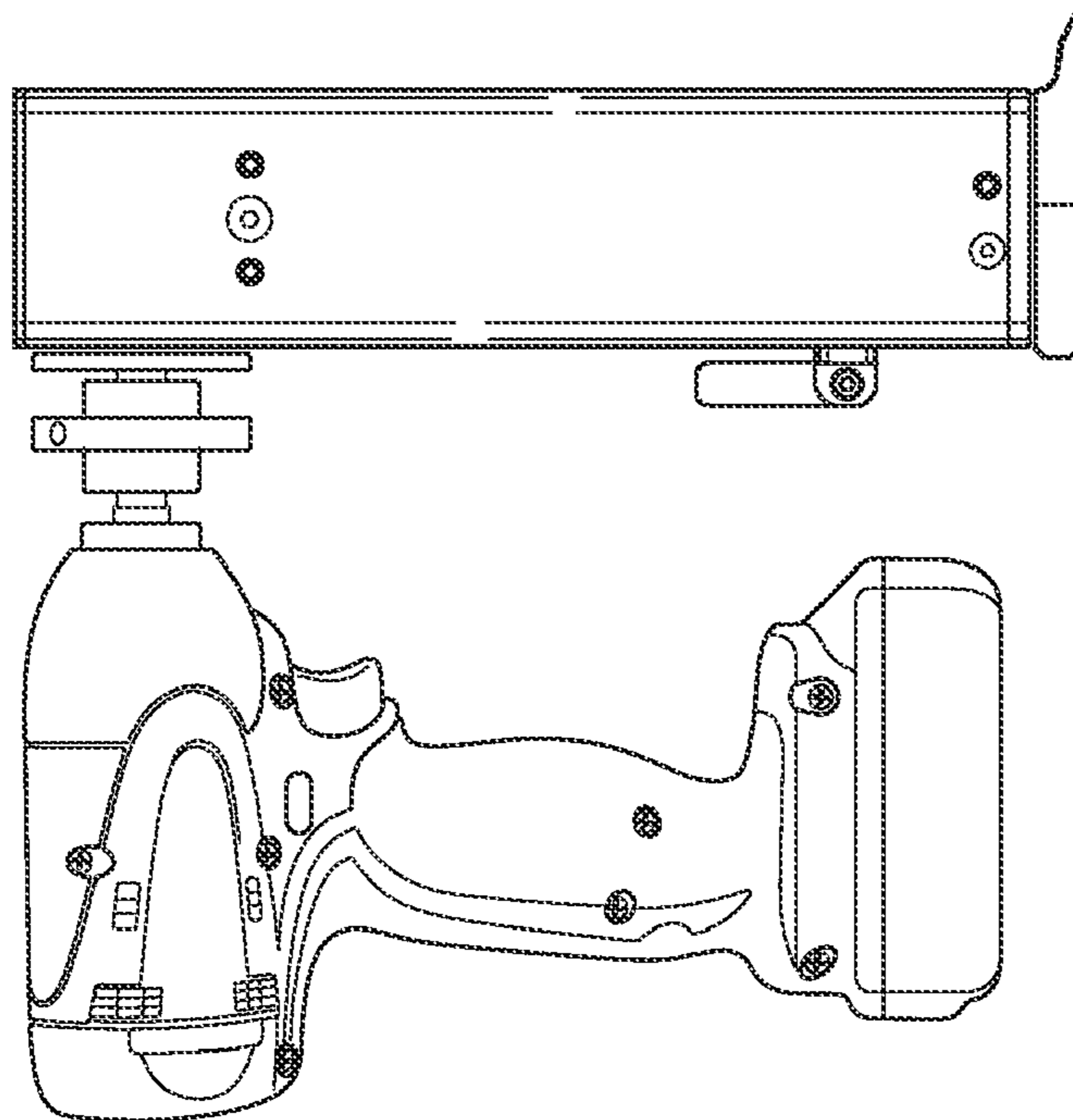


Fig. 2

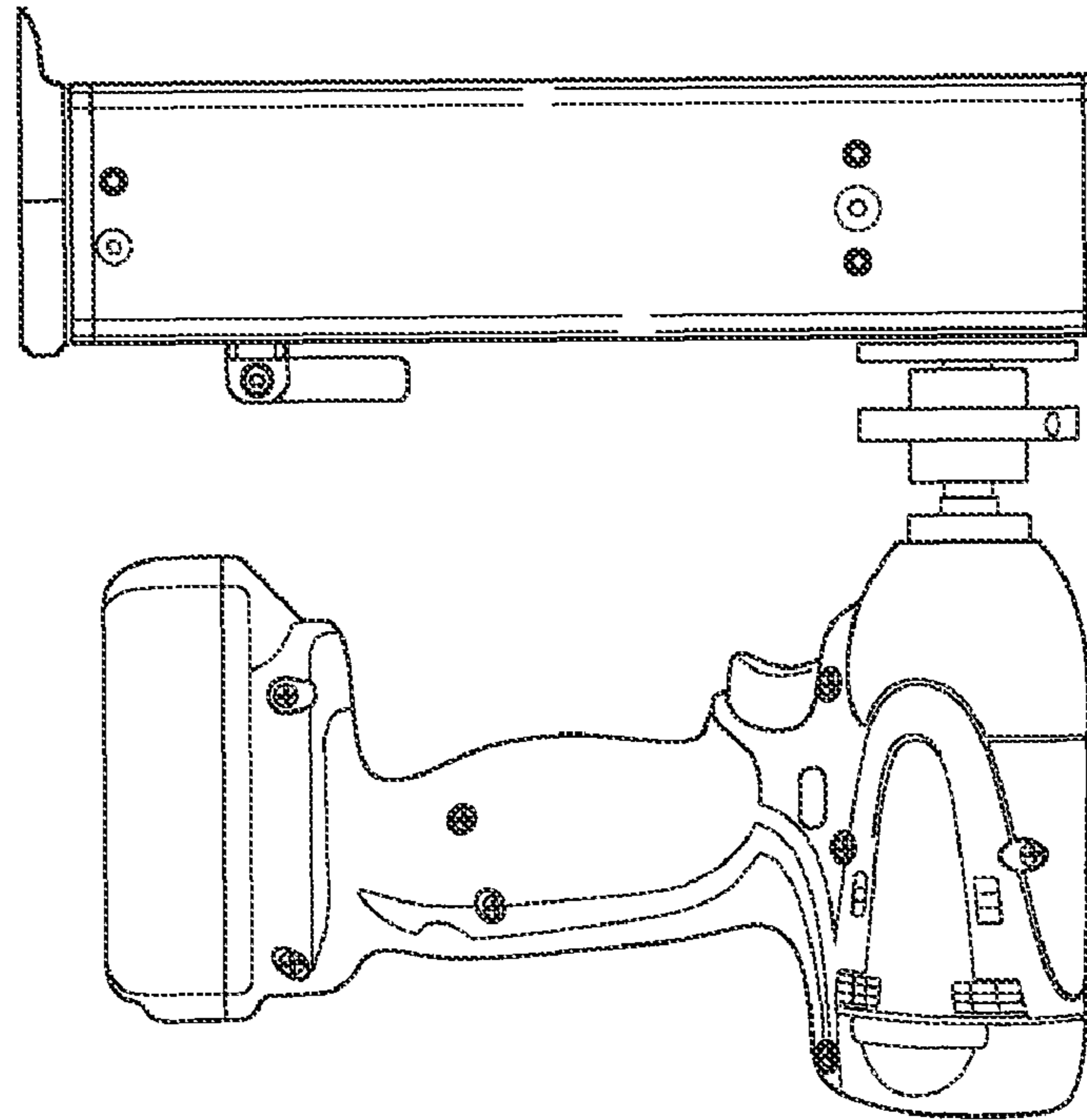


Fig. 3

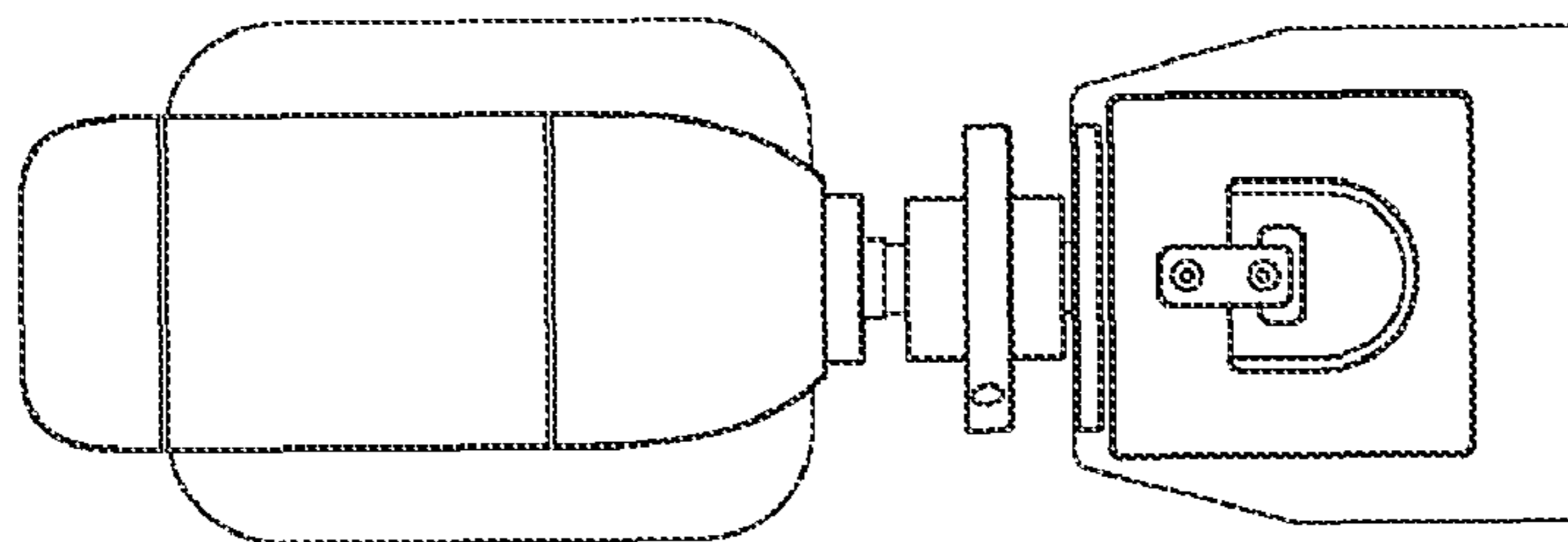


Fig. 4

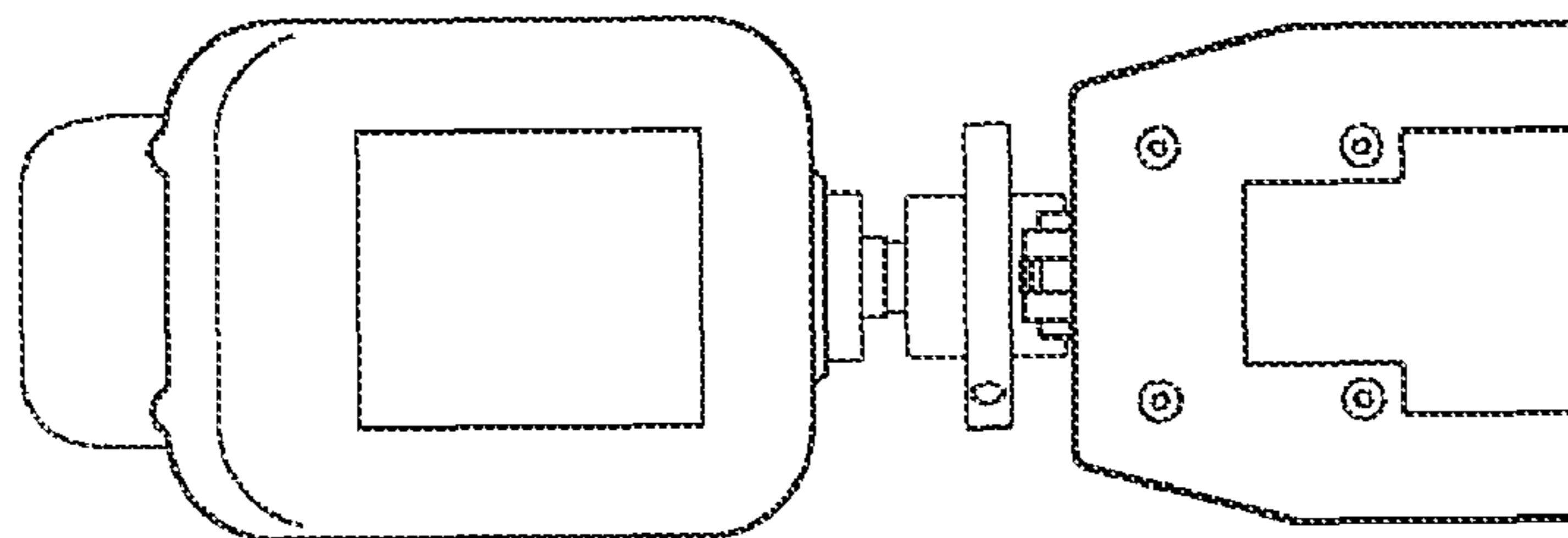


Fig. 5

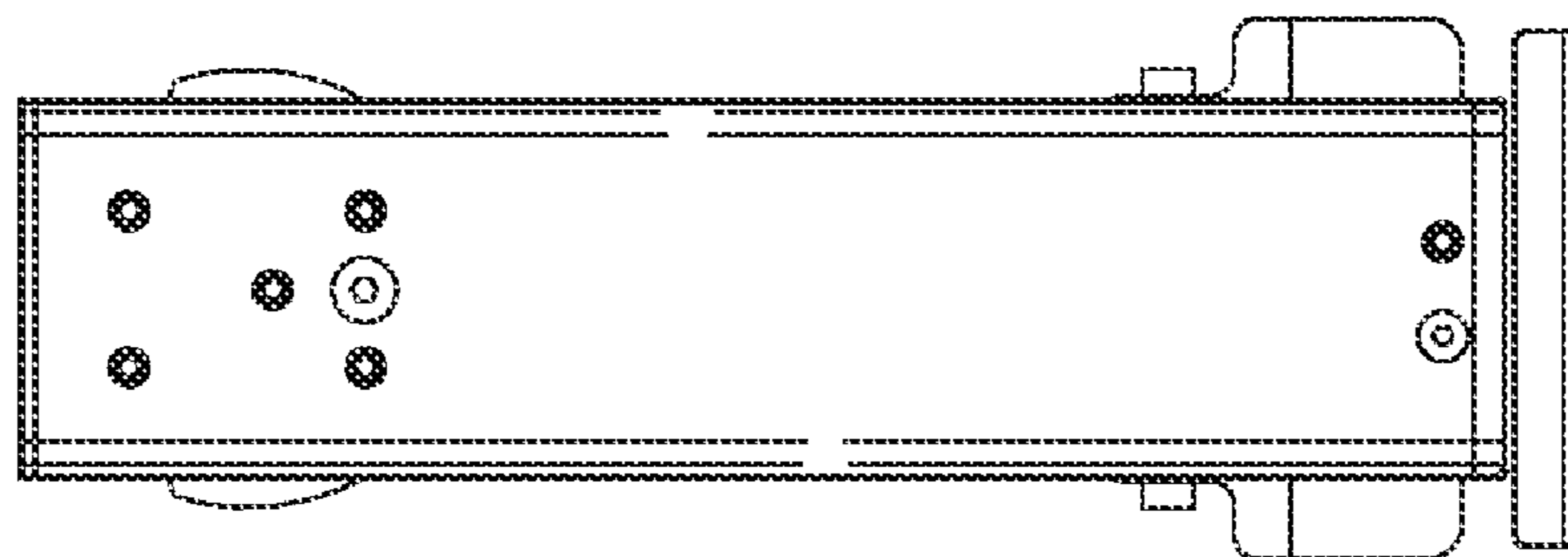


Fig. 6

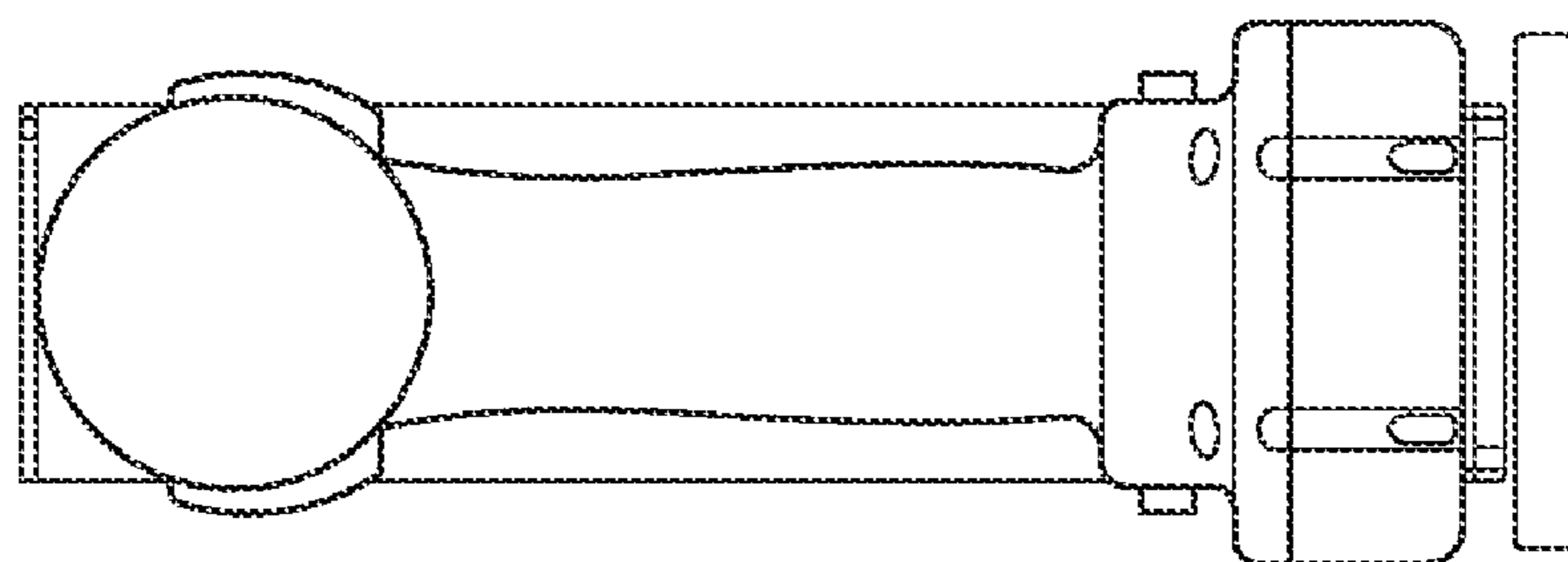


Fig. 7