



US00D639182S

(12) **United States Design Patent**
Nixon

(10) **Patent No.:** **US D639,182 S**

(45) **Date of Patent:** **** Jun. 7, 2011**

(54) **POUCH**

(75) **Inventor:** **Anne E. Nixon**, Bridgeport, CT (US)

(73) **Assignee:** **The Sun Products Corporation**,
Wilton, CT (US)

(**) **Term:** **14 Years**

(21) **Appl. No.:** **29/368,409**

(22) **Filed:** **Aug. 23, 2010**

(51) **LOC (9) Cl.** **09-05**

(52) **U.S. Cl.** **D9/707**

(58) **Field of Classification Search** D9/702-714,
D9/695, 697-699, 720-722, 414, 424, 426;
206/484, 438; 222/143, 92, 107; 383/127,
383/37, 38, 103, 107, 113, 61.1, 9, 15, 16,
383/906; 68/17 R, 12.18, 207; D27/183,
D27/185; D24/115, 224, 118; 604/217;
229/72, 200, 87.06, 87.08, 87.05; D28/8.1

See application file for complete search history.

(56) **References Cited**

U.S. PATENT DOCUMENTS

D292,483 S	*	10/1987	Commisso et al.	D9/759
D429,525 S		8/2000	Richardson		
D447,555 S		9/2001	Richardson		
D474,857 S		5/2003	McLeish		
D479,128 S		9/2003	Jowett		
D485,643 S		1/2004	McLeish		
D485,942 S	*	1/2004	McLeish	D28/8.1
D486,733 S		2/2004	Murning et al.		
D490,184 S		5/2004	McLeish		
D490,567 S	*	5/2004	McLeish	D28/8.1
D494,317 S		8/2004	Jowett et al.		
D507,677 S		7/2005	McLeish		
D518,917 S		4/2006	Jowett et al.		
D549,870 S		8/2007	McCarthy		
D558,921 S		1/2008	Schwartz et al.		
D560,492 S	*	1/2008	Markowicz et al.	D9/721
D564,899 S		3/2008	Hardy		
D565,243 S		3/2008	Denome et al.		
D576,353 S		9/2008	McCarthy		

D596,954 S	*	7/2009	Jimenez et al.	D9/757
D599,056 S		8/2009	Schwartz et al.		
D599,057 S		8/2009	Beckholt et al.		
D608,049 S		1/2010	Schwartz et al.		
D621,718 S	*	8/2010	Mehdizadeh	D9/707
D622,157 S	*	8/2010	Mehdizadeh	D9/707

OTHER PUBLICATIONS

- U.S. Appl. No. 29/368,403, "Pouch", filed Aug. 23, 2010.
- U.S. Appl. No. 29/368,408, "Pouch", filed Aug. 23, 2010.
- U.S. Appl. No. 29/368,404, "Pouch", filed Aug. 23, 2010.
- U.S. Appl. No. 29/368,460, "Pouch", filed Aug. 24, 2010.
- U.S. Appl. No. 29/368,466, "Pouch", filed Aug. 24, 2010.

* cited by examiner

Primary Examiner — Caron Veynar

Assistant Examiner — Abraham Bahta

(74) *Attorney, Agent, or Firm* — Sterne, Kessler, Goldstein & Fox P.L.L.C.

(57) **CLAIM**

The ornamental design for a pouch, as shown and described.

DESCRIPTION

FIG. 1 is a top perspective view of the pouch showing my new design;

FIG. 2 is a top plan view thereof;

FIG. 3 is a bottom plan view thereof;

FIG. 4 is a front view thereof;

FIG. 5 is a rear view thereof;

FIG. 6 is a left side view thereof;

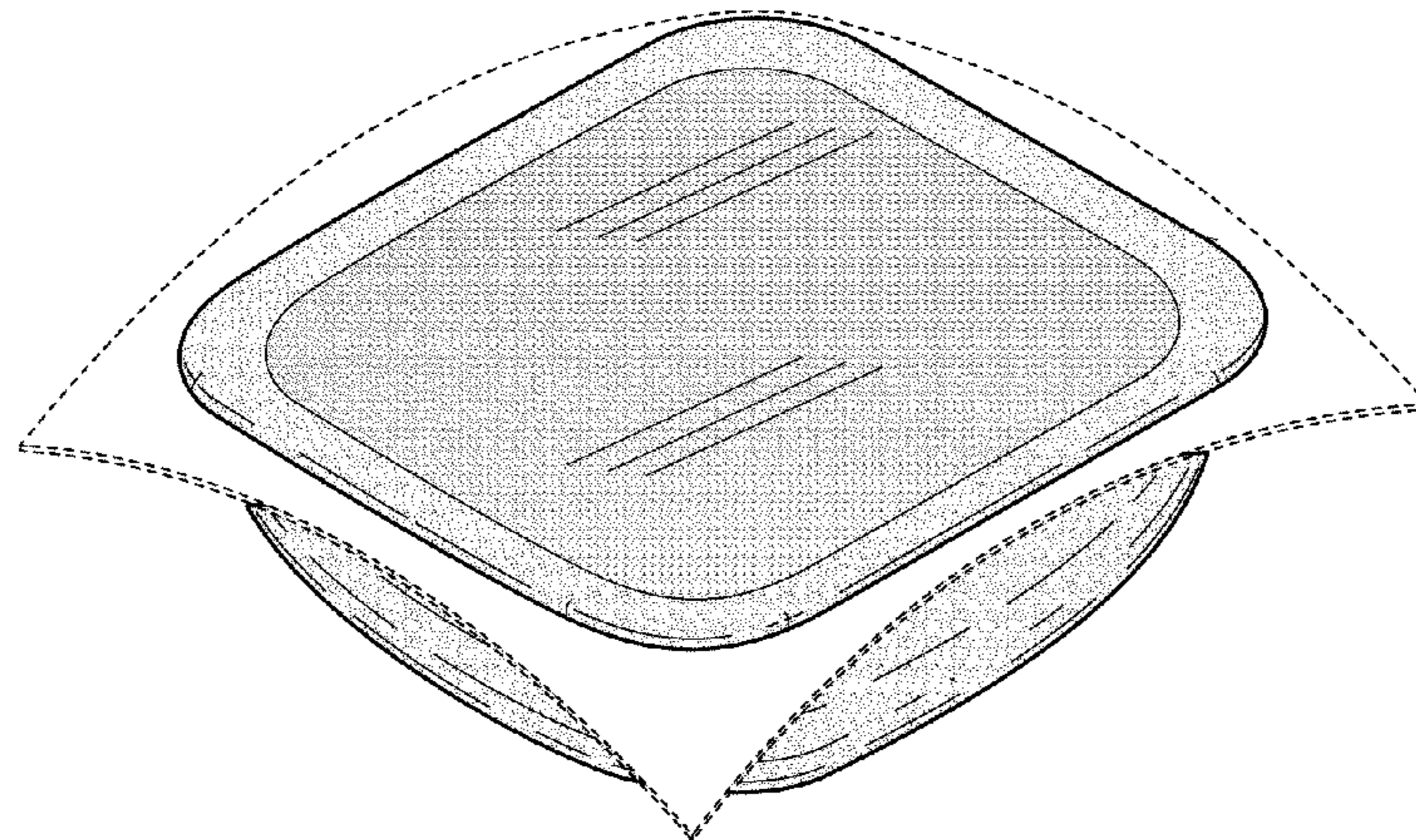
FIG. 7 is a right side view thereof; and,

FIG. 8 is a cross-sectional view taken along line 8—8 in FIG. 2.

The broken line showing of portions of the pouch is included for the purpose of illustrating environmental structure and forms no part of the claimed design.

The stippling shows contrasting material disposed within the pouch. The contrast may be in color/or the appearance of the material disposed within the pouch.

1 Claim, 5 Drawing Sheets



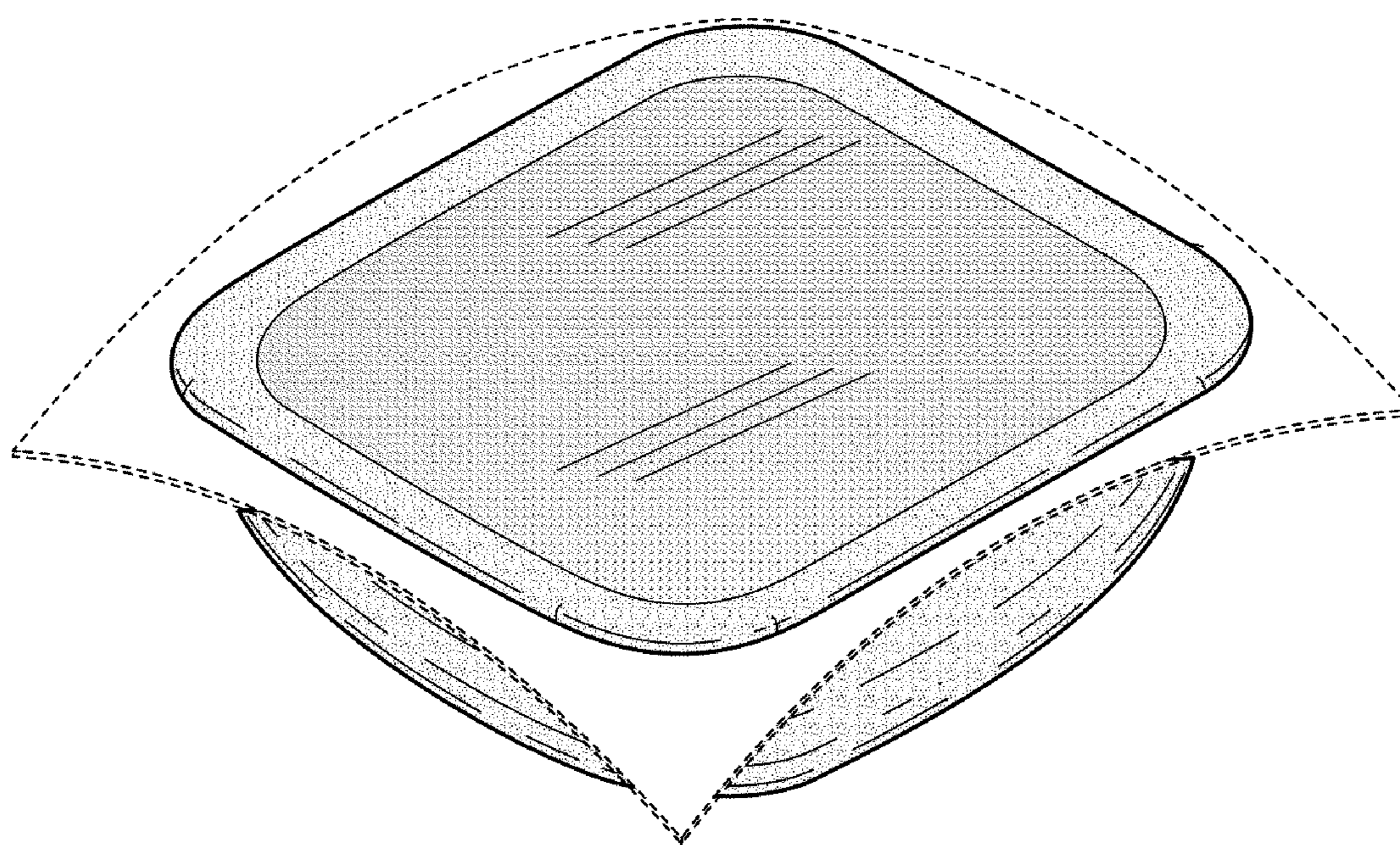


FIG. 1

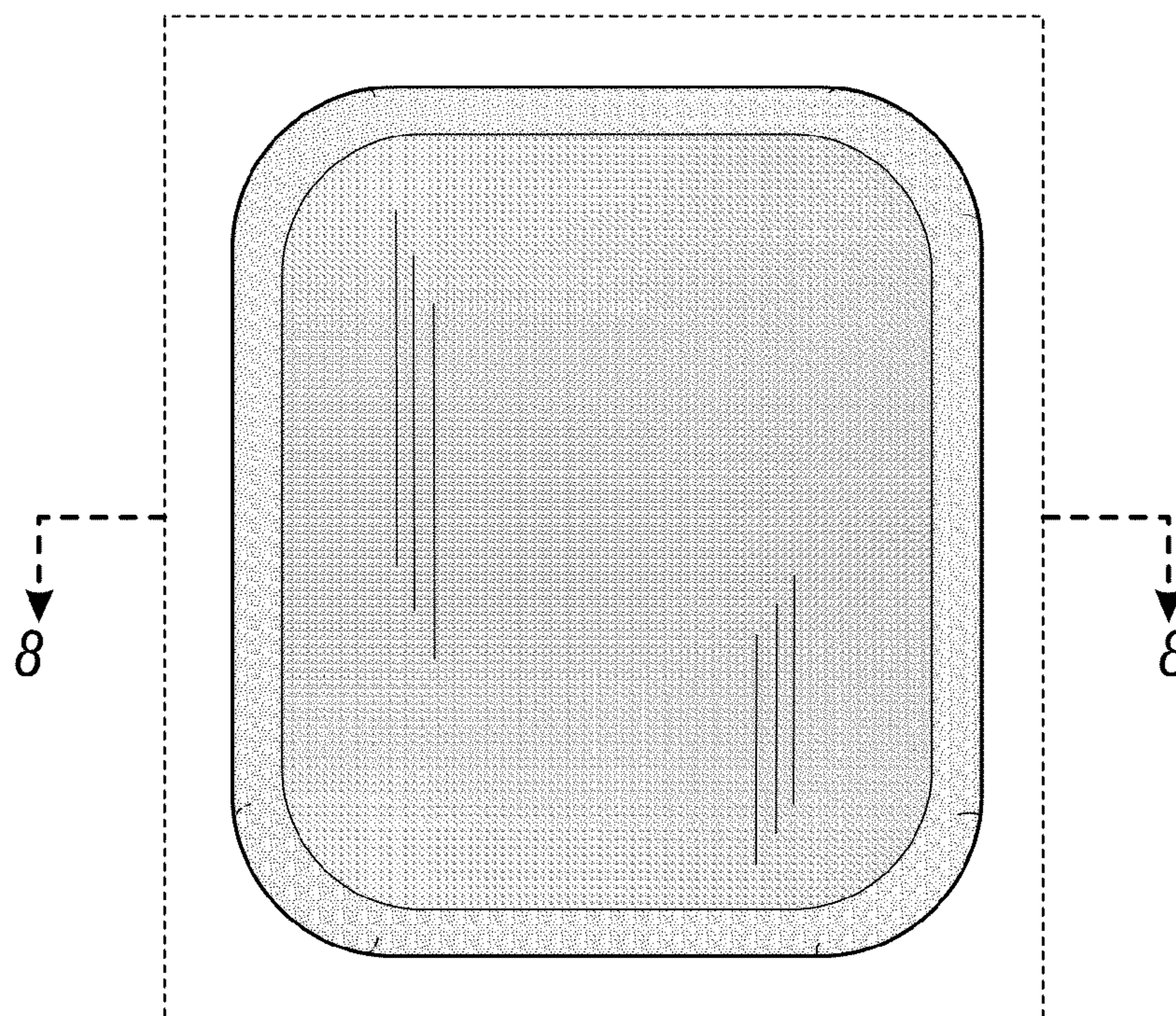


FIG. 2

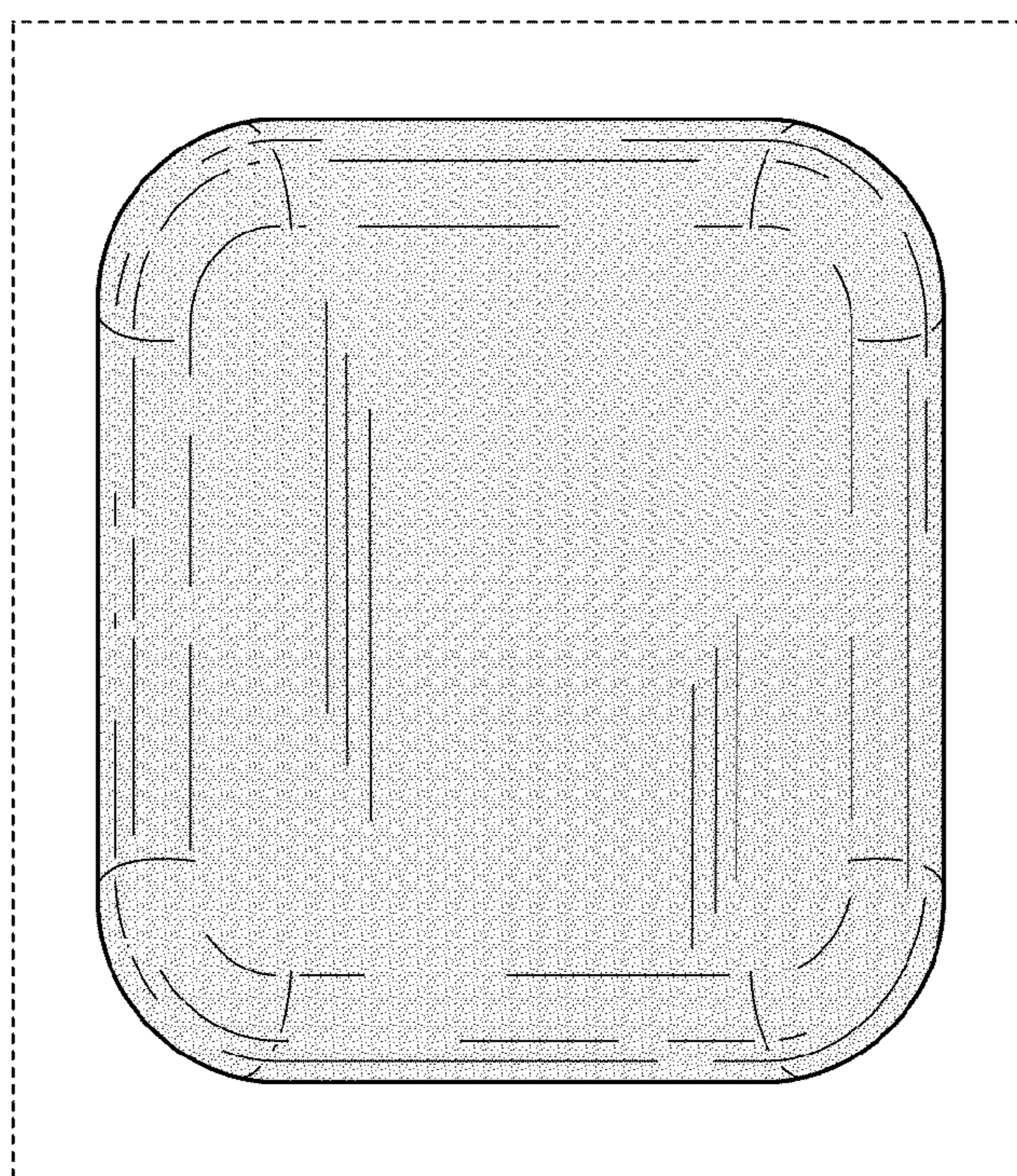


FIG. 3

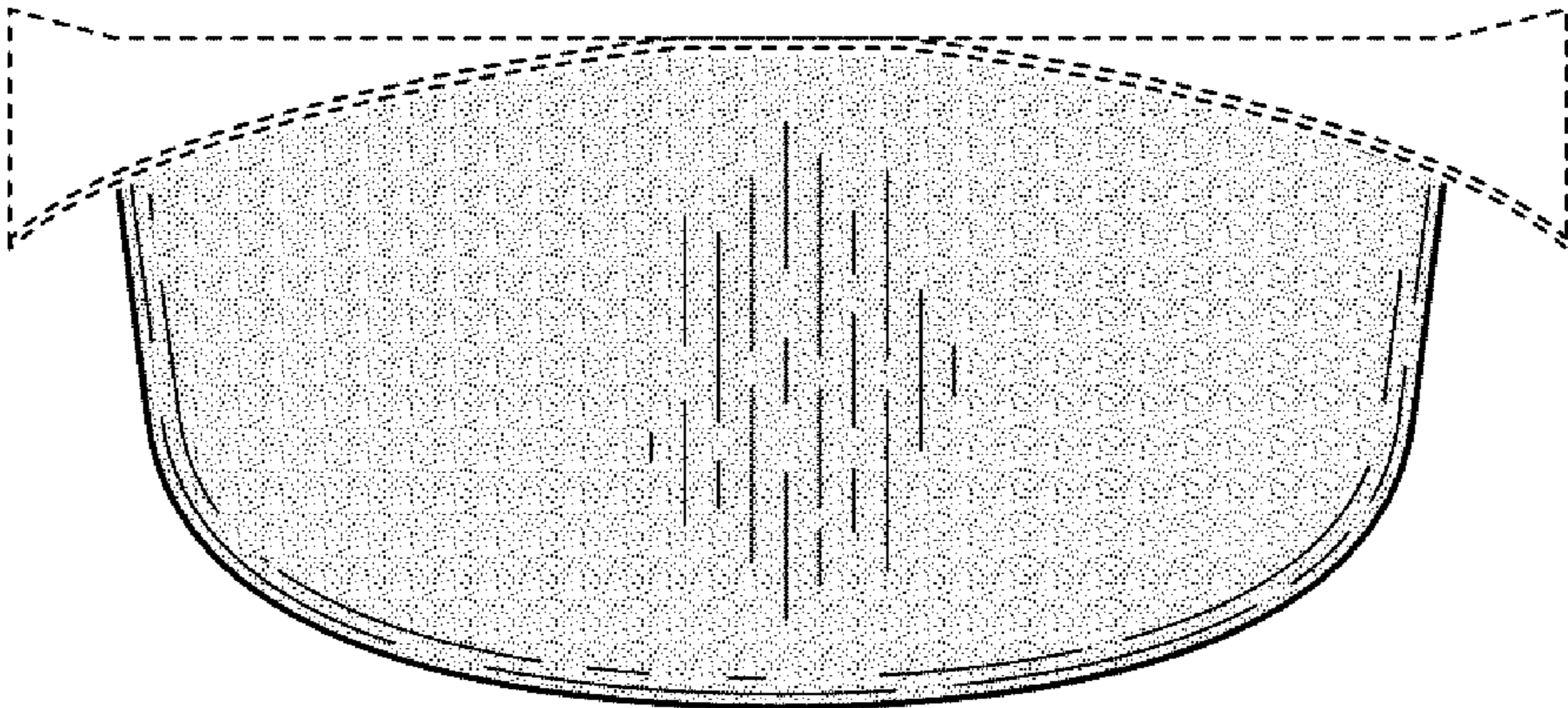


FIG. 4

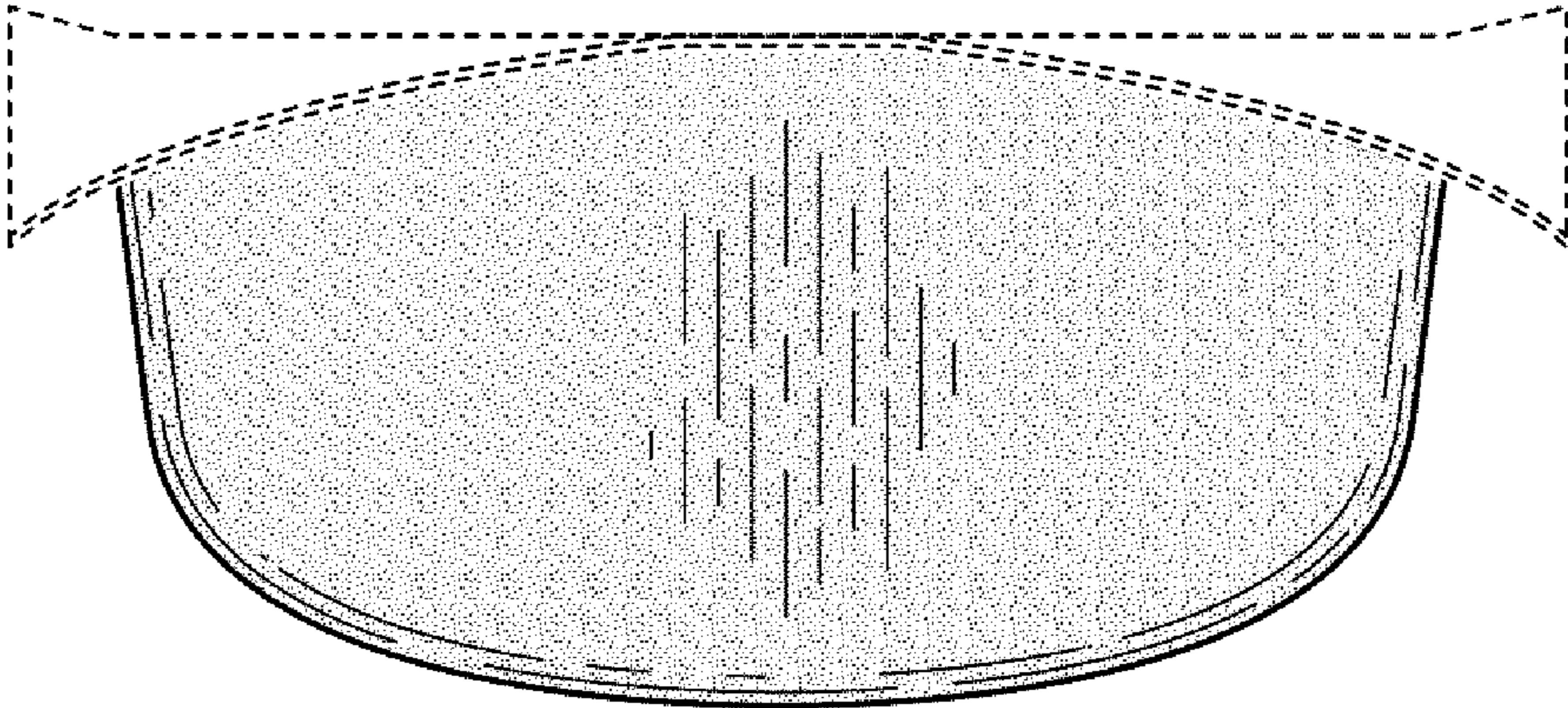


FIG. 5

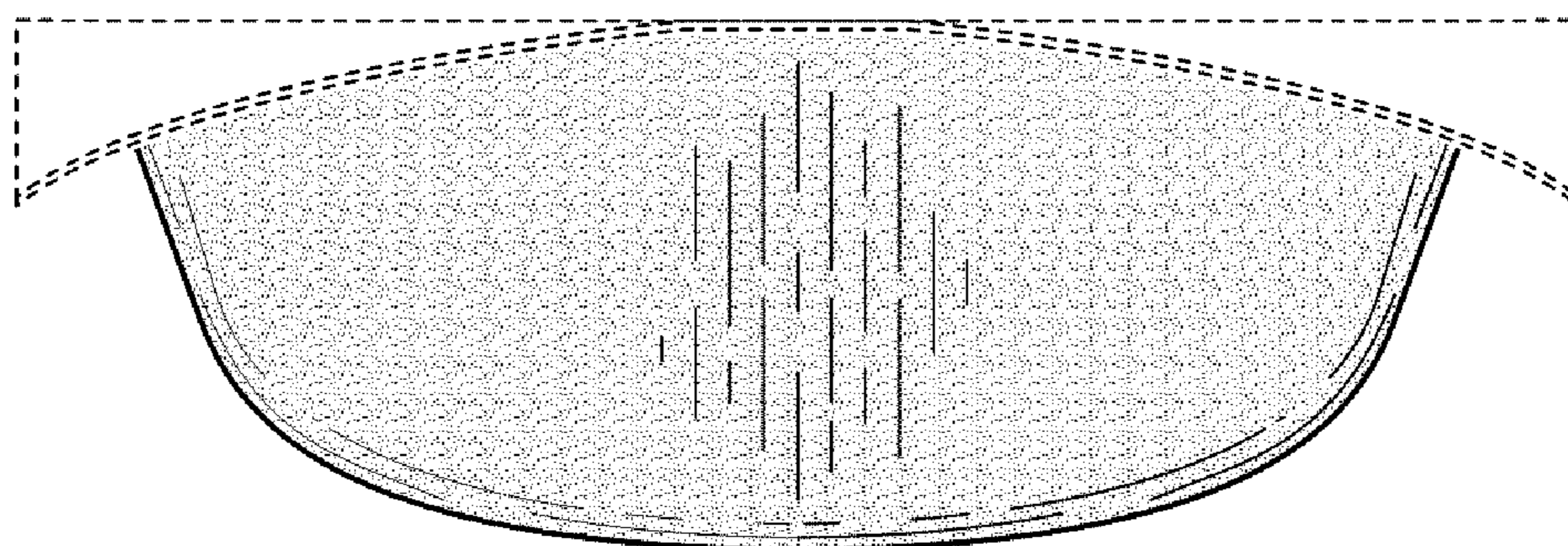


FIG. 6

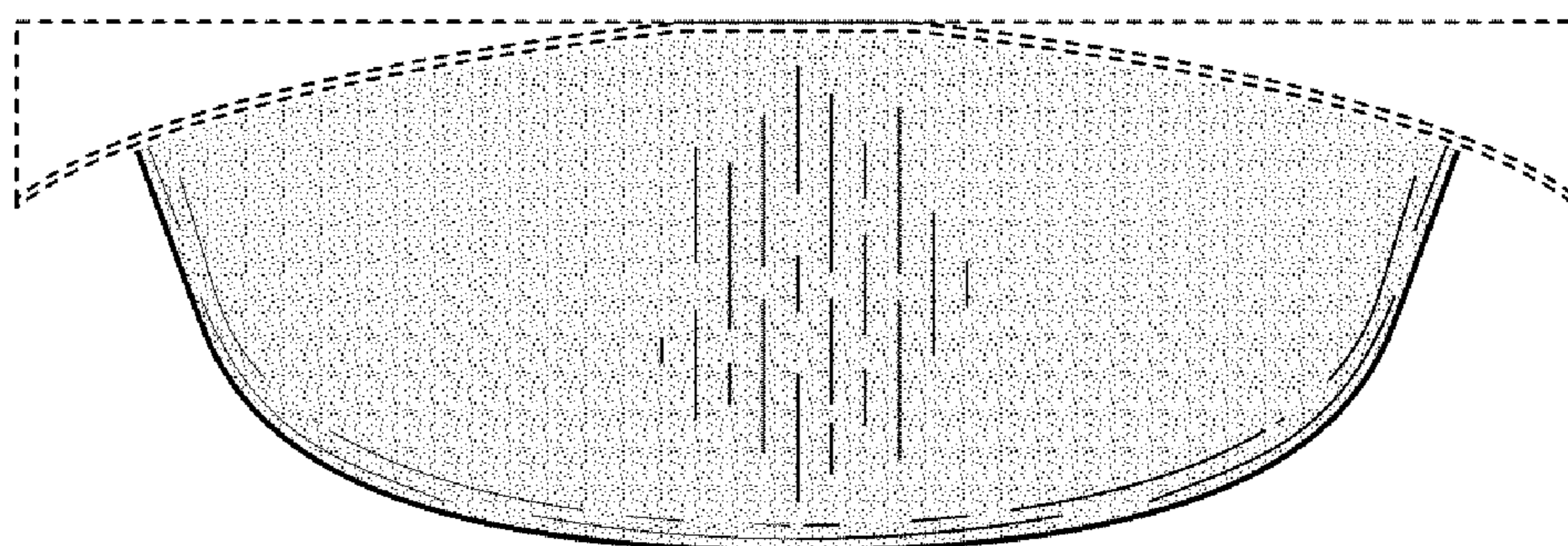


FIG. 7

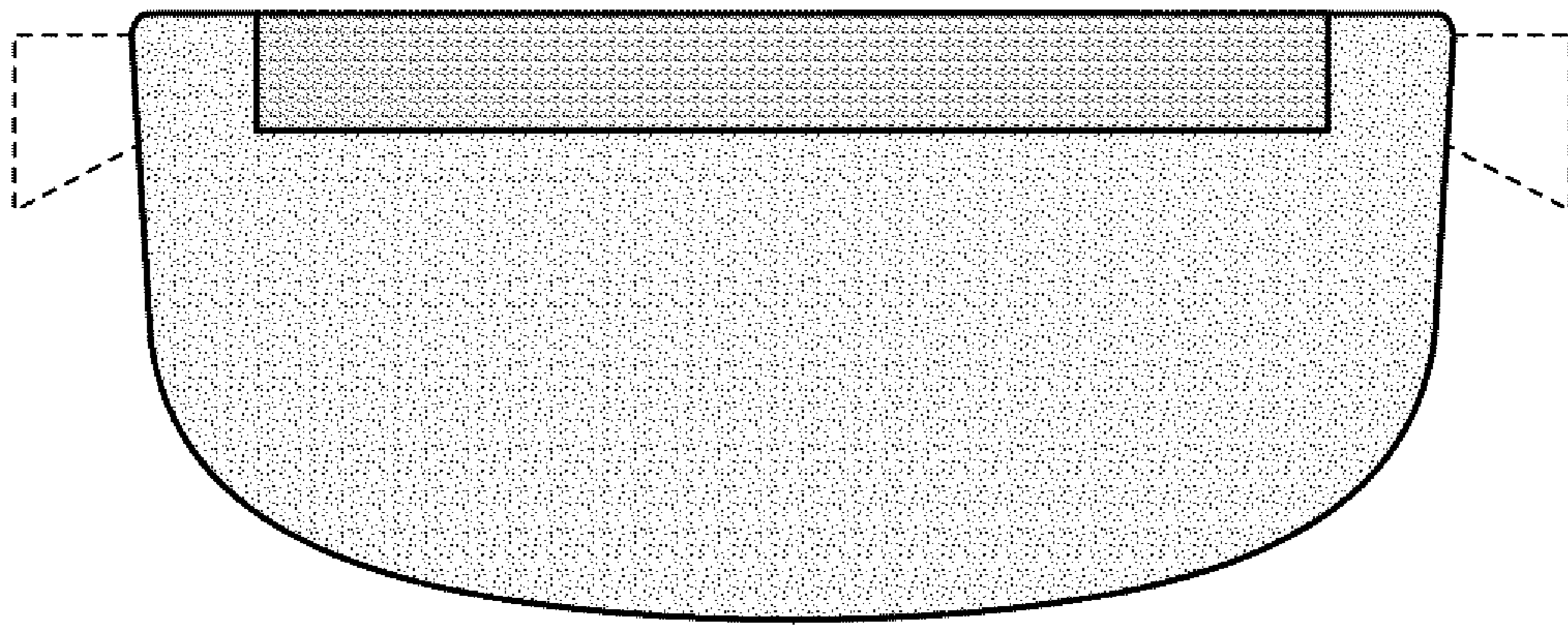


FIG. 8