



US00D639179S

(12) **United States Design Patent**
Powers et al.

(10) **Patent No.:** **US D639,179 S**
(45) **Date of Patent:** **** Jun. 7, 2011**

(54) **SURFACE ORNAMENTATION FOR A
PACKAGING CONTAINER**

DESCRIPTION

(75) Inventors: **Diane Danheiser Powers**, Mason, OH (US); **Andrea Marie Subler**, West Chester, OH (US); **Aaron Paul Burghard**, Cincinnati, OH (US)

(73) Assignee: **The Procter & Gamble Company**, Cincinnati, OH (US)

(**) Term: **14 Years**

(21) Appl. No.: **29/361,869**

(22) Filed: **May 17, 2010**

(51) **LOC (9) Cl.** **09-01**

(52) **U.S. Cl.** **D9/649; D9/434**

(58) **Field of Classification Search** D9/600,
D9/649, 669, 414, 430-434; 220/890

See application file for complete search history.

(56) **References Cited**

U.S. PATENT DOCUMENTS

D489,002	S	*	4/2004	Meyer et al.	D9/669
D562,694	S	*	2/2008	Norton et al.	D9/649
D584,611	S	*	1/2009	Ames et al.	D9/432
D599,201	S	*	9/2009	Seol et al.	D9/432
D600,548	S	*	9/2009	Seol et al.	D9/432
D603,701	S	*	11/2009	Seol et al.	D9/432
D608,636	S	*	1/2010	Seol	D9/432
D612,260	S	*	3/2010	Champion	D9/600
D612,261	S	*	3/2010	Champion et al.	D9/600

* cited by examiner

Primary Examiner — Sandra Morris

(74) *Attorney, Agent, or Firm* — Kelly L McDow

(57) **CLAIM**

The ornamental design for surface ornamentation for a packaging container, as shown and described.

The present application contains at least one drawing executed in color. Copies of this patent or patent application with color drawing(s) will be provided by the Office upon request and payment of the necessary fee.

FIG. 1 is a perspective view of an embodiment of the invention;

FIG. 2 is a front view thereof;

FIG. 3 is a back view thereof;

FIG. 4 is a left side view thereof;

FIG. 5 is a right side view thereof;

FIG. 6 is a top view thereof;

FIG. 7 is a bottom view thereof;

FIG. 8 is a perspective view of an embodiment of the invention;

FIG. 9 is a front view thereof;

FIG. 10 is a back view thereof;

FIG. 11 is a left side view thereof;

FIG. 12 is a right side view thereof;

FIG. 13 is a top view thereof;

FIG. 14 is a bottom view thereof;

FIG. 15 is a perspective view of an embodiment of the invention;

FIG. 16 is a front view thereof;

FIG. 17 is a back view thereof;

FIG. 18 is a left side view thereof;

FIG. 19 is a right side view thereof;

FIG. 20 is a top view thereof;

FIG. 21 is a bottom view thereof;

FIG. 22 is a perspective view of an embodiment of the invention;

FIG. 23 is a front view thereof;

FIG. 24 is a back view thereof;

FIG. 25 is a left side view thereof;

FIG. 26 is a right side view thereof;

FIG. 27 is a top view thereof;

FIG. 28 is a bottom view thereof;

FIG. 29 is a perspective view of an embodiment of the invention;

FIG. 30 is a front view thereof;

FIG. 31 is a back view thereof;

FIG. 32 is a left side view thereof;

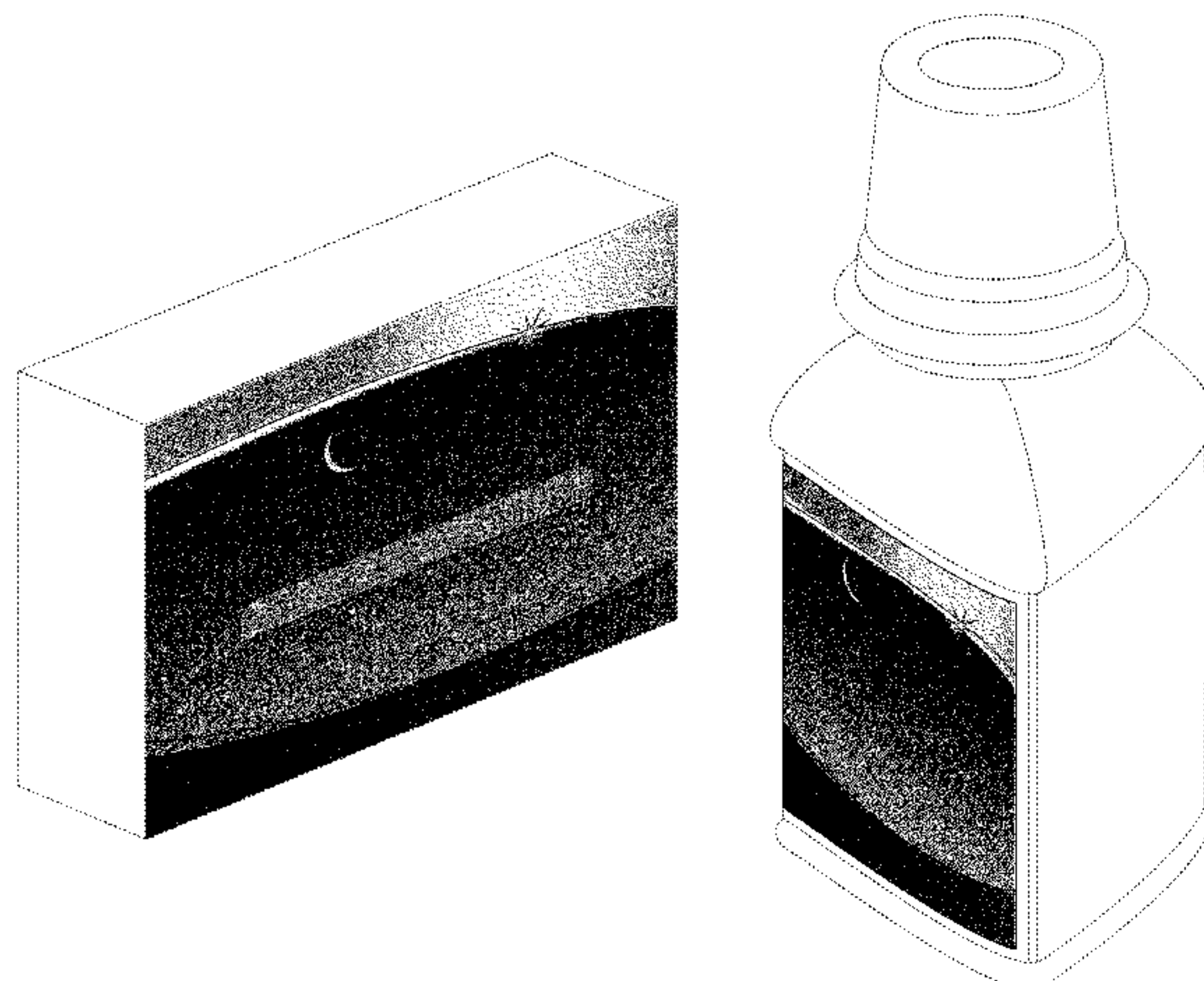


FIG. 33 is a right side view thereof;
FIG. 34 is a top view thereof;
FIG. 35 is a bottom view thereof;
FIG. 36 is a perspective view of an embodiment of the invention;
FIG. 37 is a front view thereof;
FIG. 38 is a back view thereof;
FIG. 39 is a left side view thereof;
FIG. 40 is a right side view thereof;
FIG. 41 is a top view thereof;
FIG. 42 is a bottom view thereof;
FIG. 43 is a perspective view of an embodiment of the invention;
FIG. 44 is a front view thereof;
FIG. 45 is a back view thereof;
FIG. 46 is a left side view thereof;

FIG. 47 is a right side view thereof;
FIG. 48 is a top view thereof;
FIG. 49 is a bottom view thereof;
FIG. 50 is a perspective view of an embodiment of the invention;
FIG. 51 is a front view thereof;
FIG. 52 is a back view thereof;
FIG. 53 is a left side view thereof;
FIG. 54 is a right side view thereof;
FIG. 55 is a top view thereof; and,
FIG. 56 is a bottom view thereof.
Broken lines are included herein for illustrative purposes only and form no part of the claimed design.

**1 Claim, 28 Drawing Sheets
(8 of 28 Drawing Sheet(s) Filed in Color)**

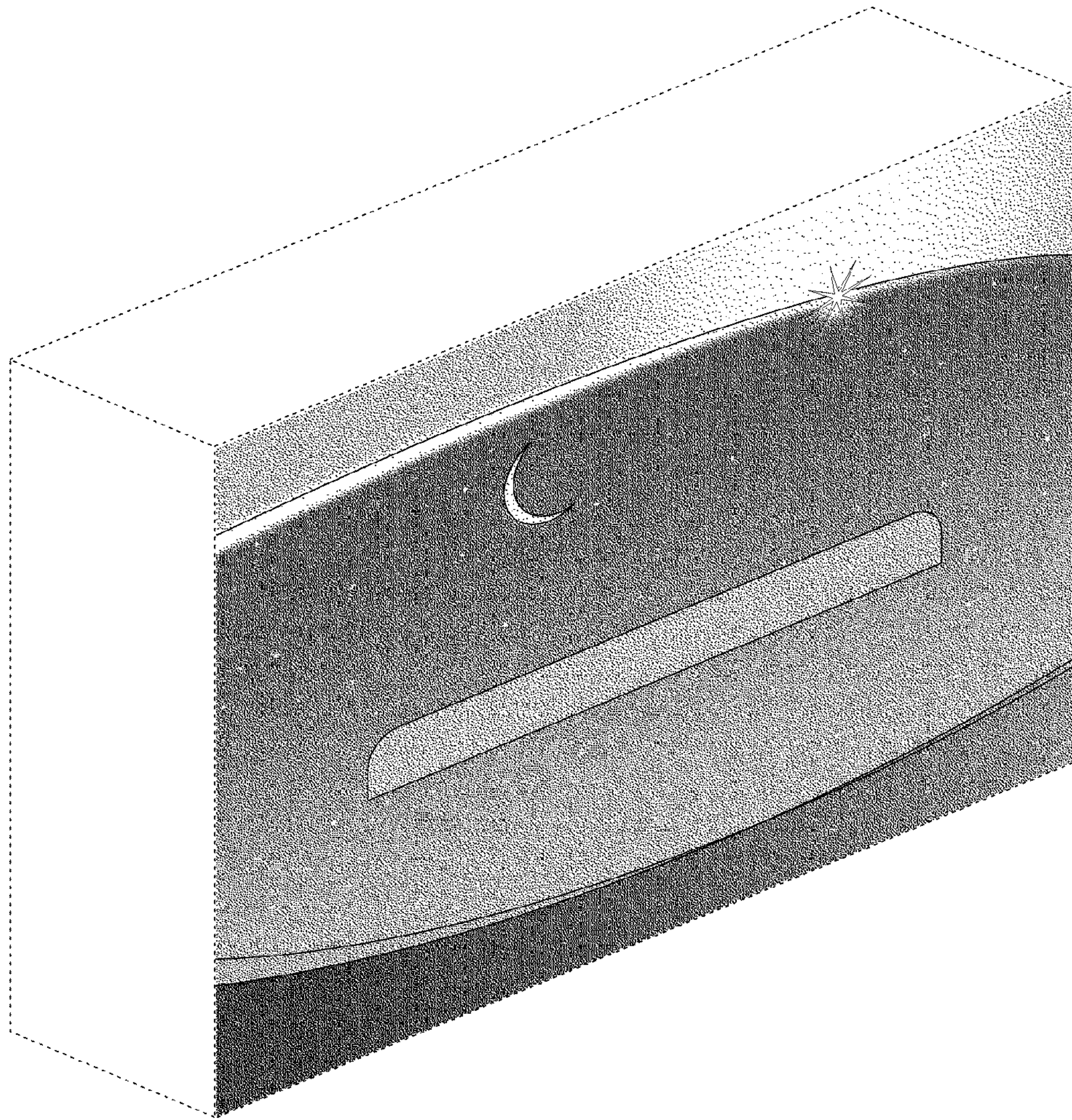


Fig. 1

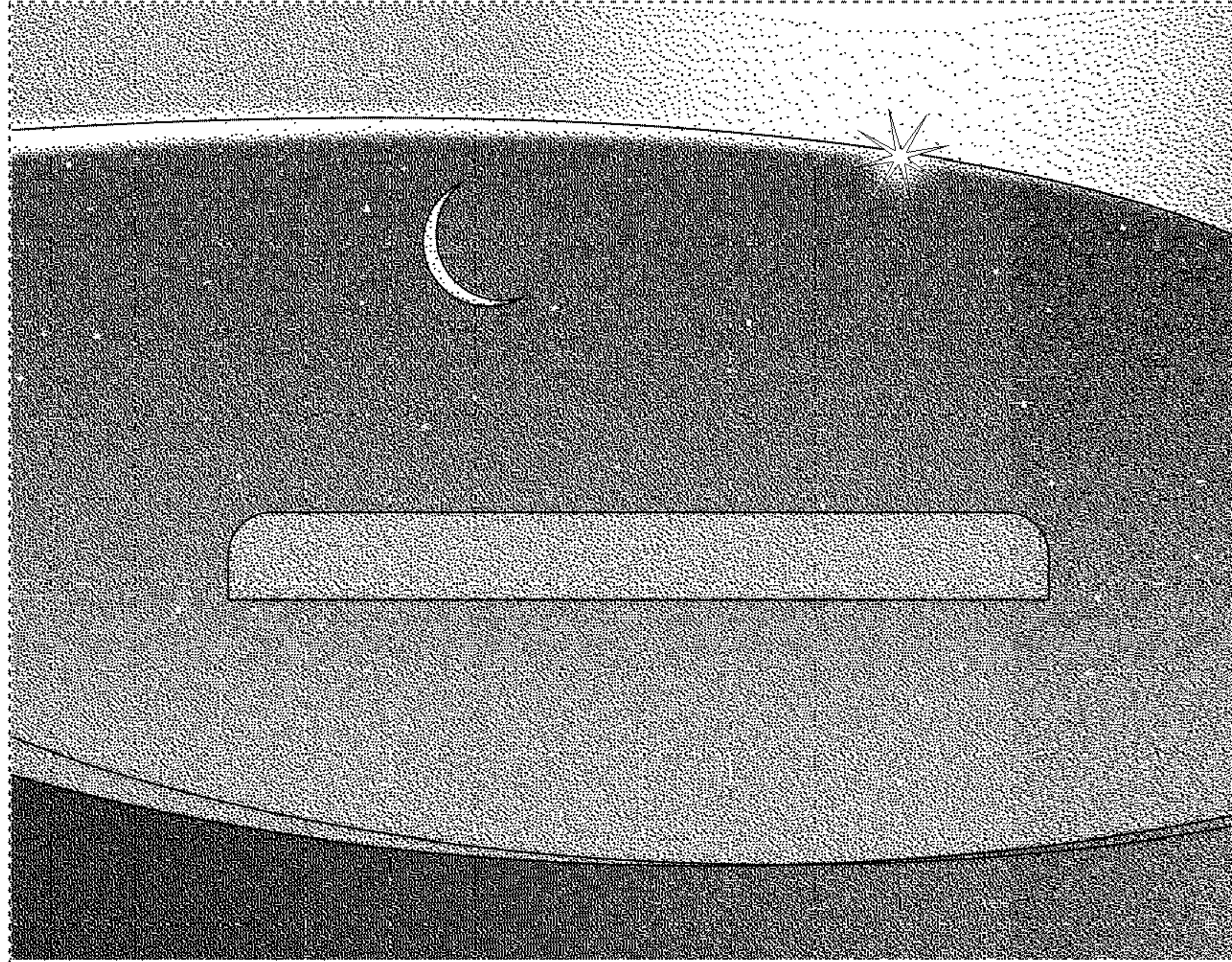


Fig. 2

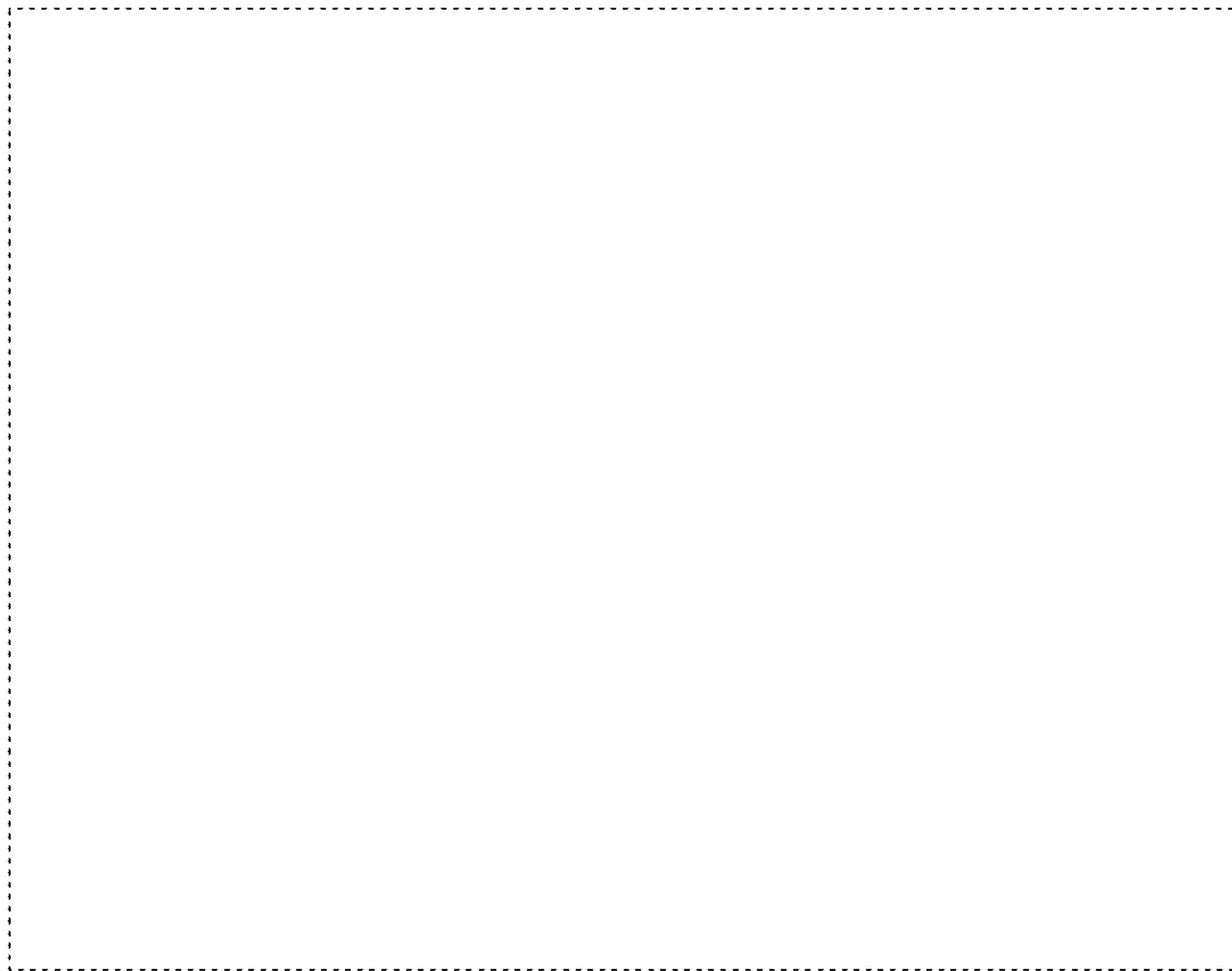


Fig. 3

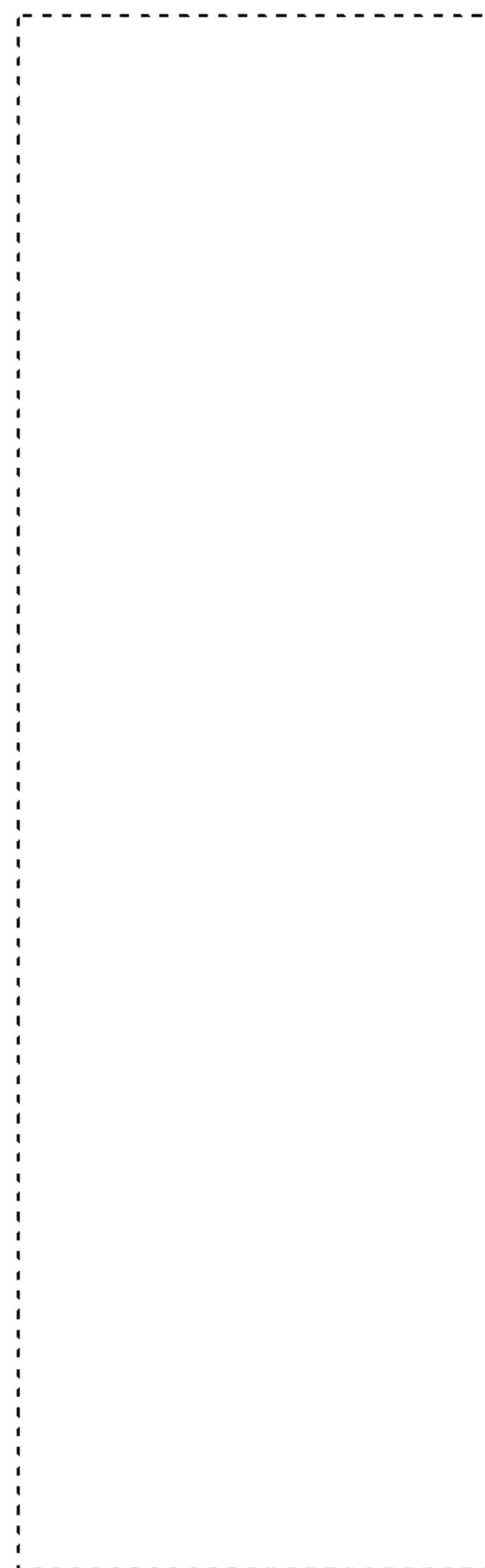


Fig. 4

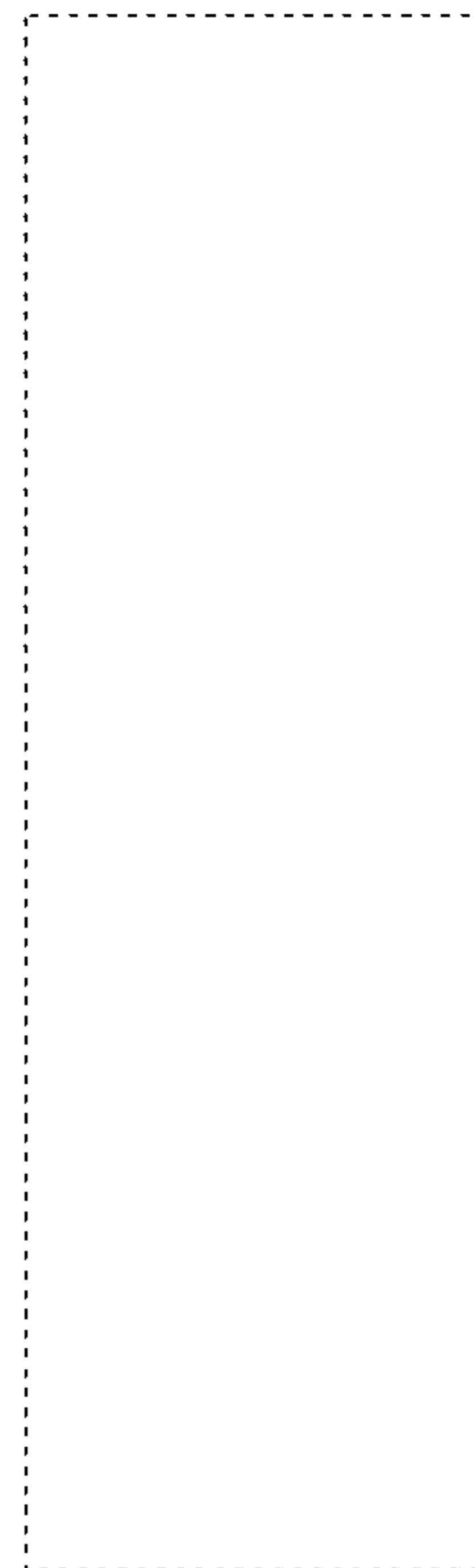


Fig. 5

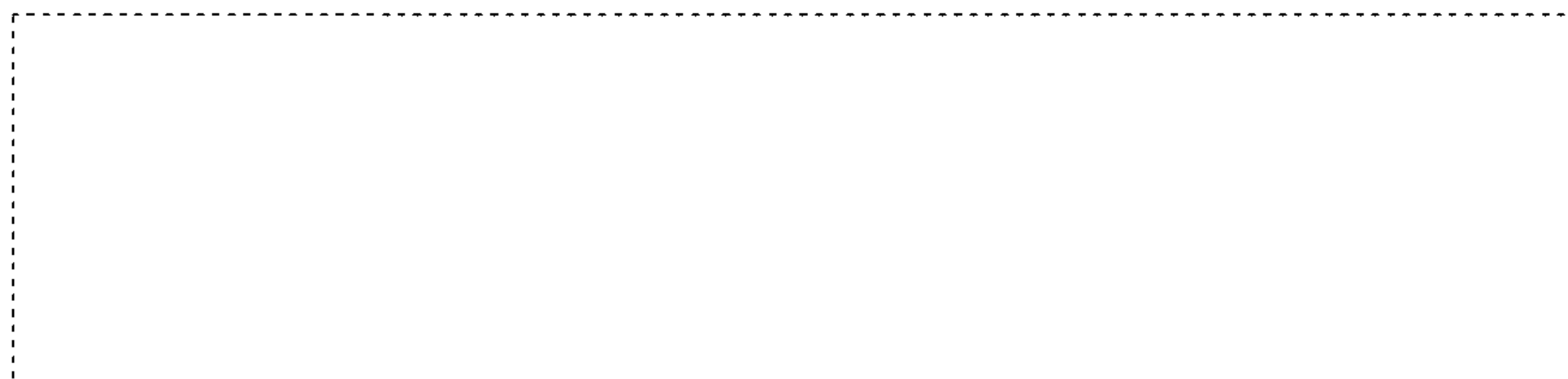


Fig. 6

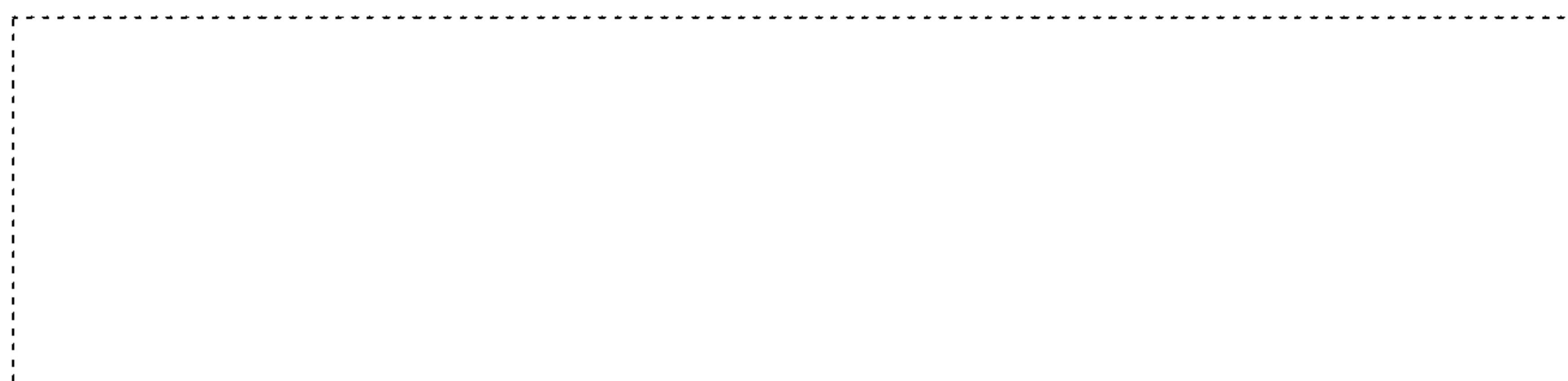


Fig. 7

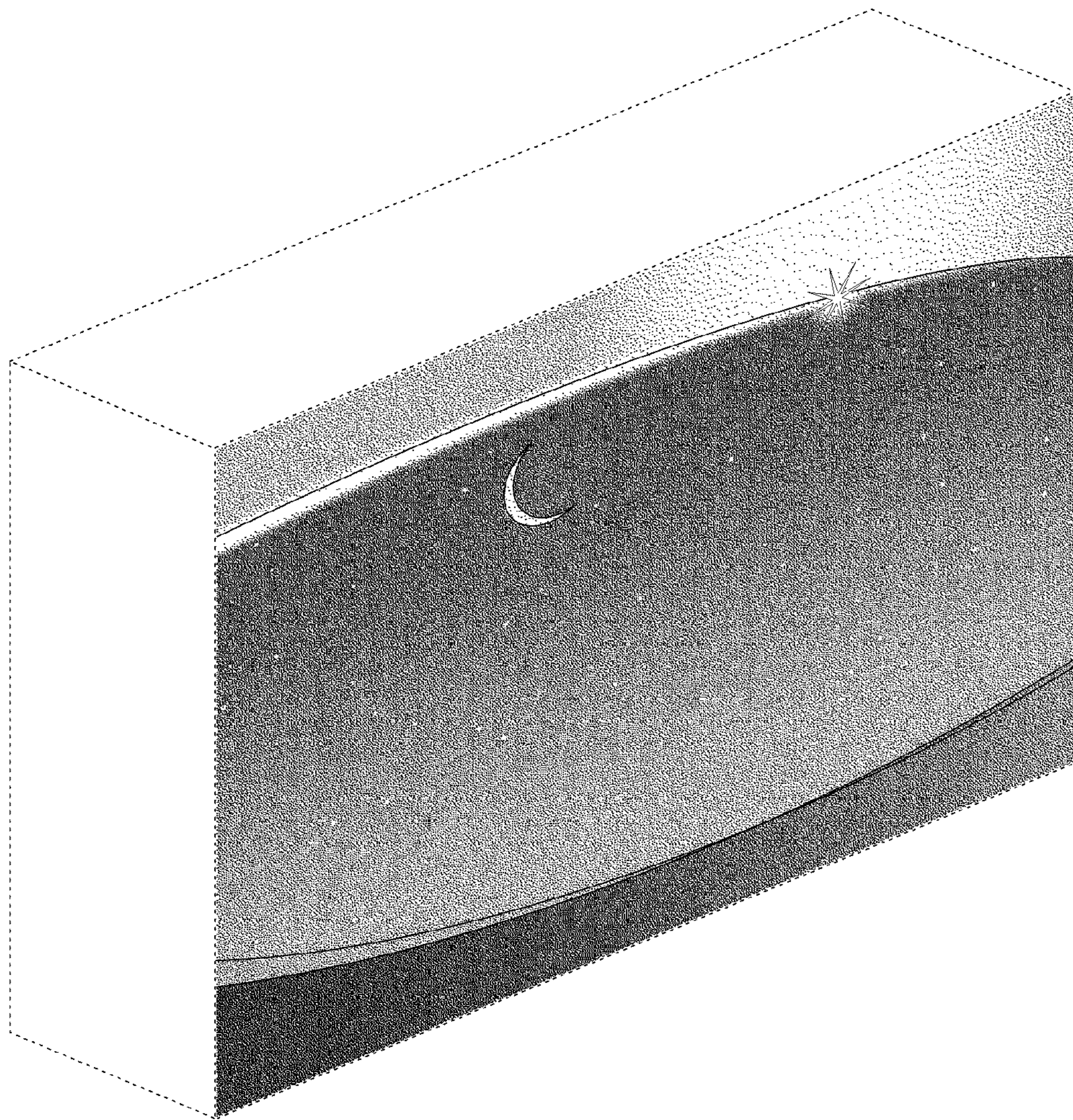


Fig. 8

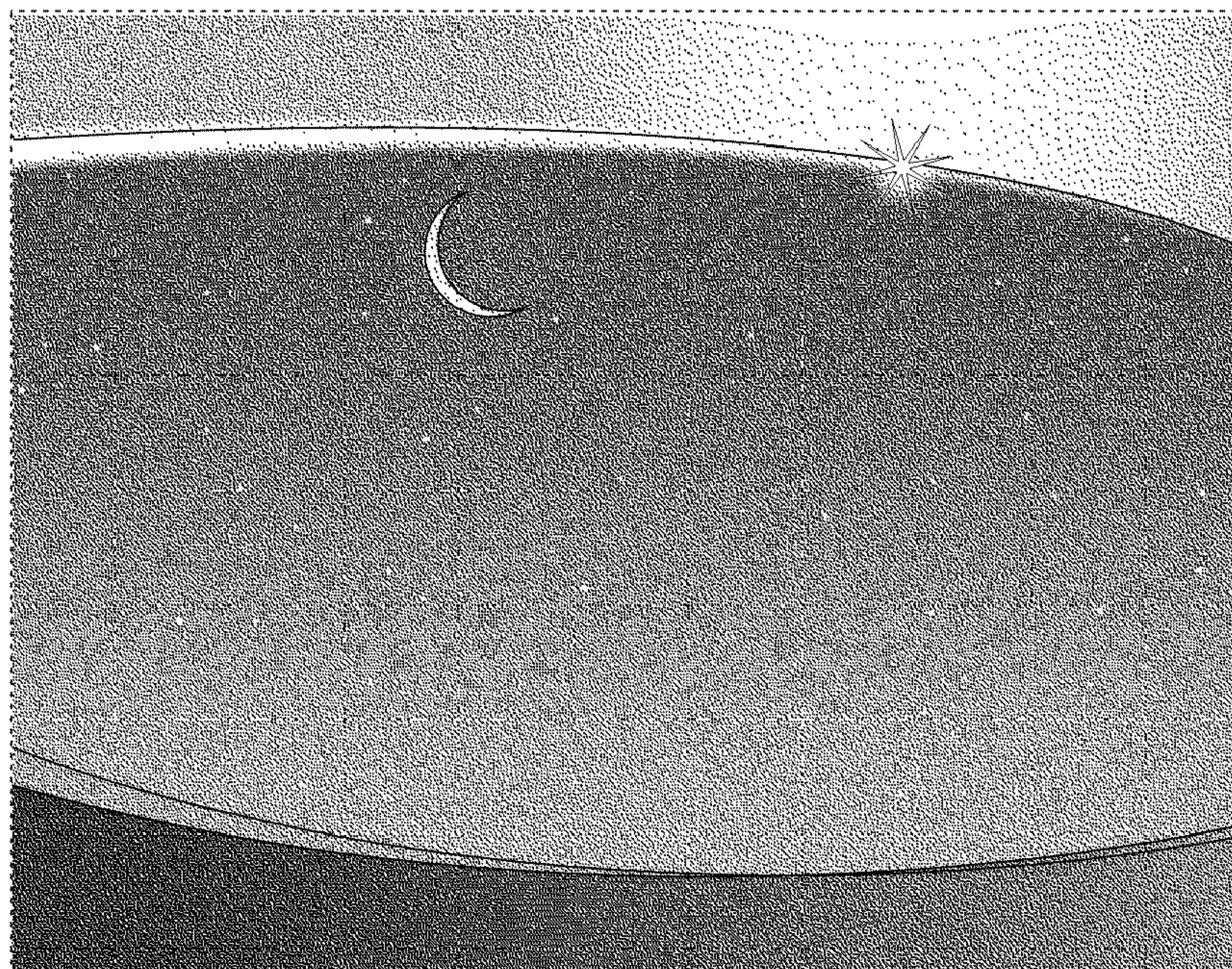


Fig. 9

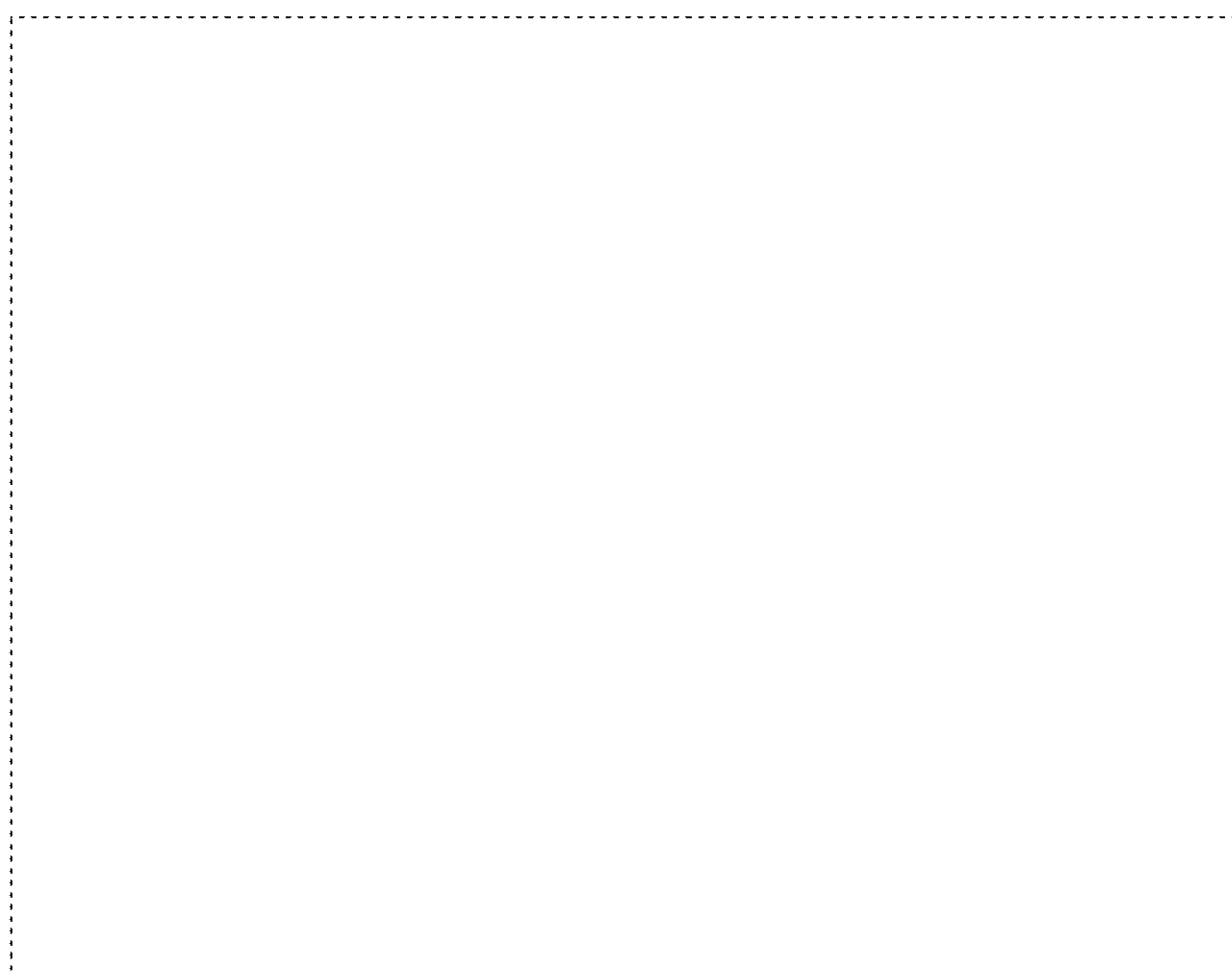


Fig. 10

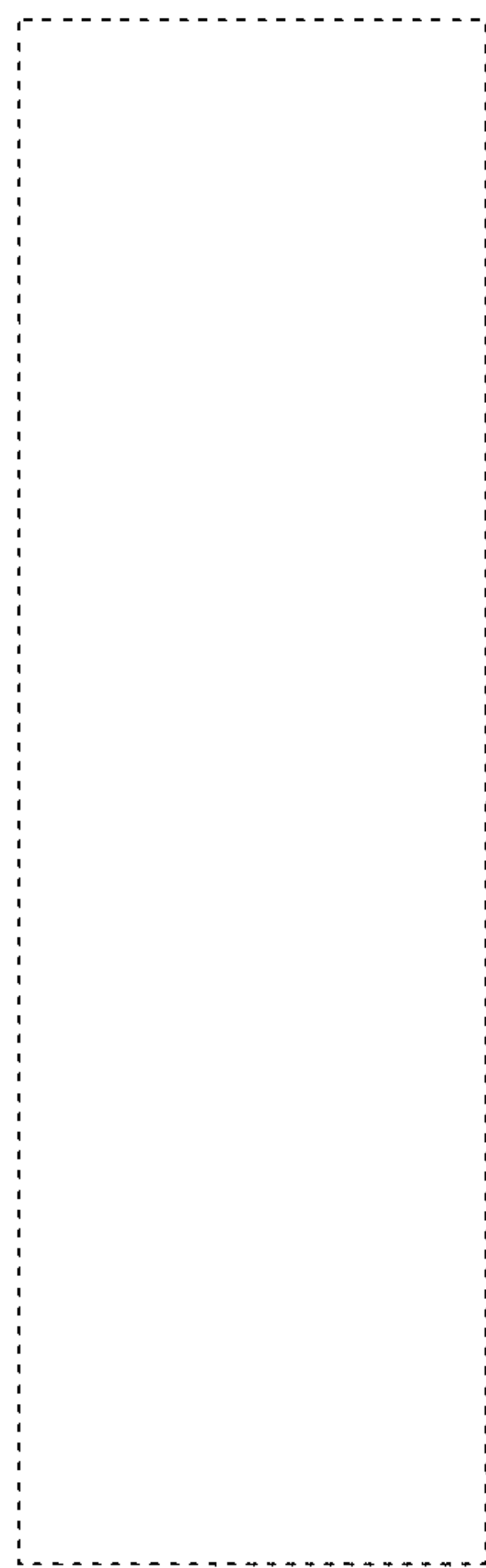


Fig. 11

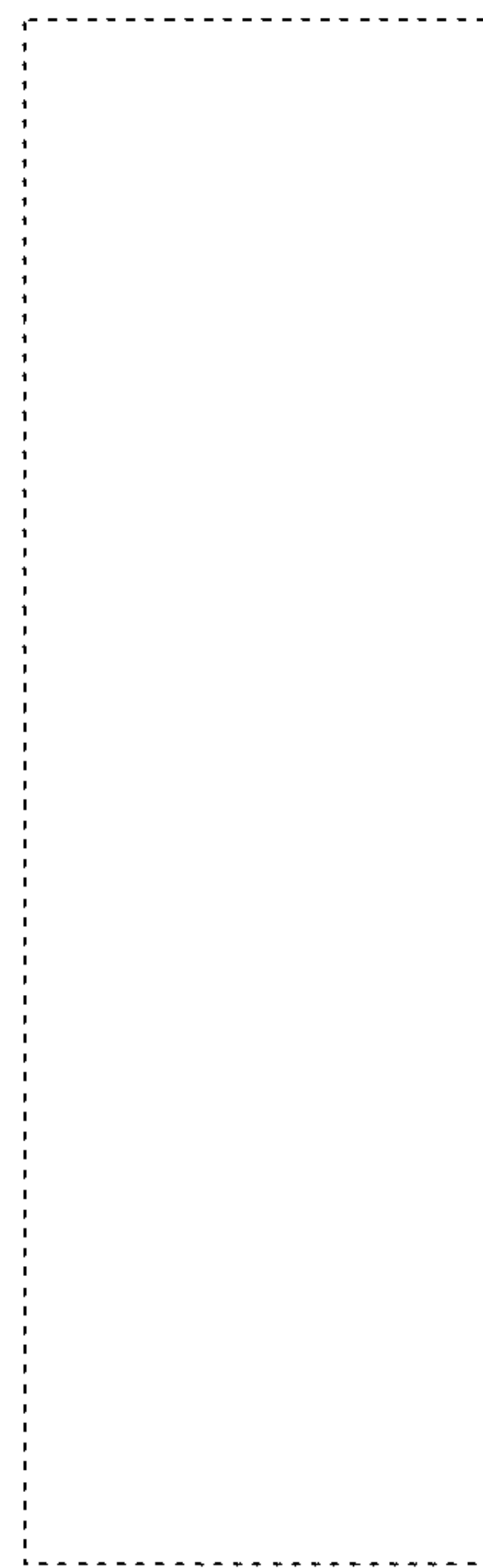


Fig. 12

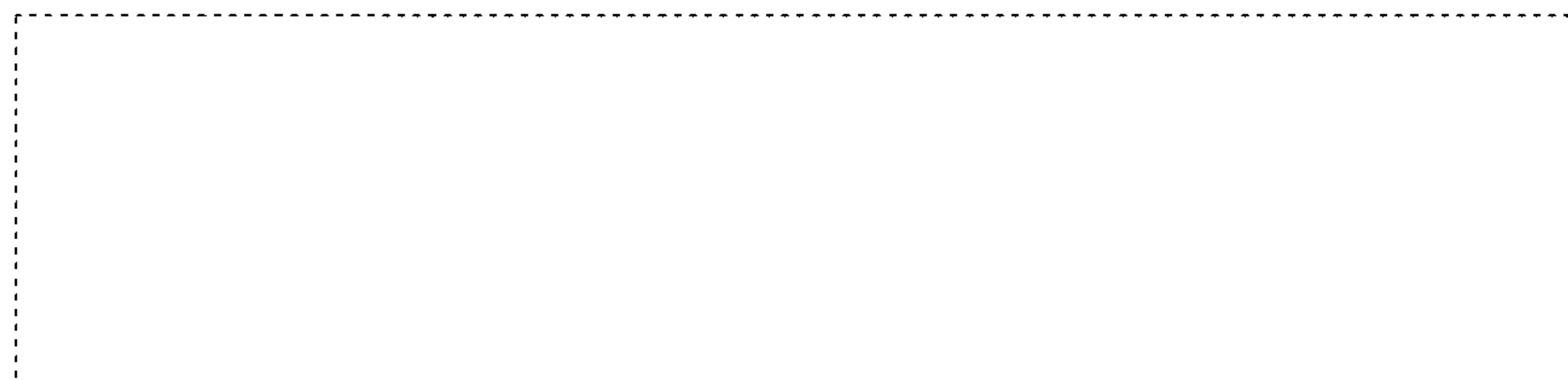


Fig. 13

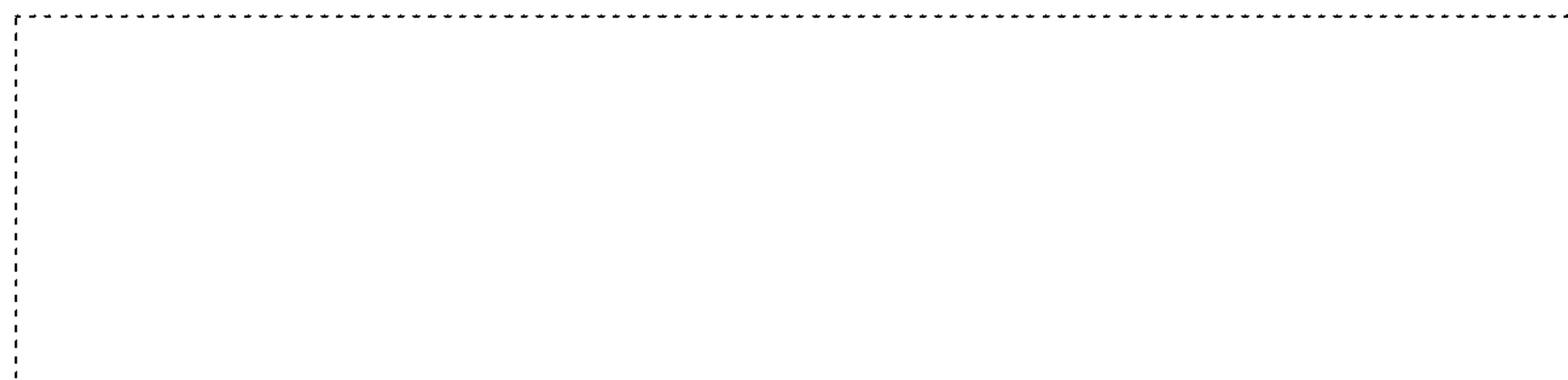


Fig. 14

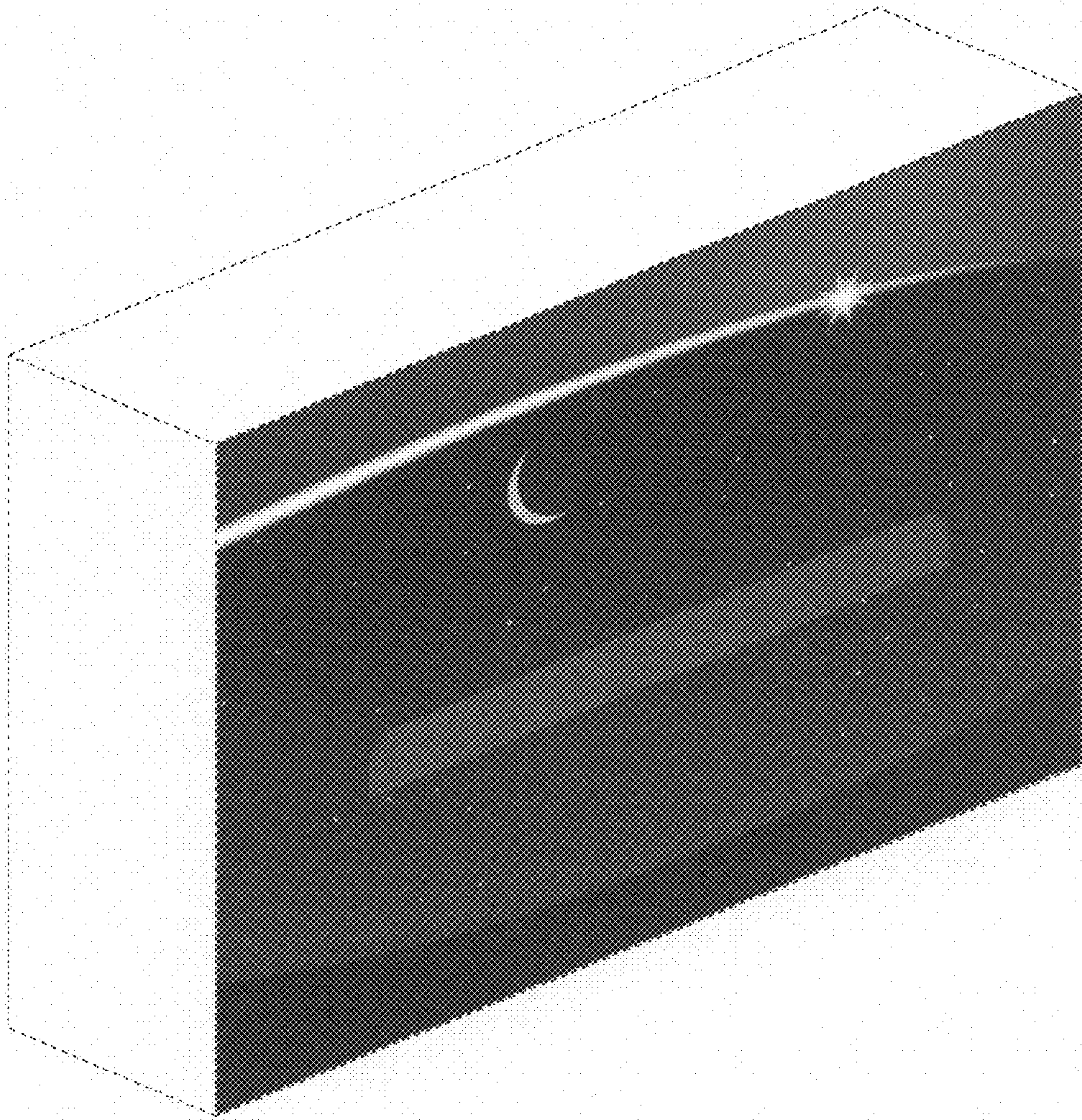


Fig. 15



Fig. 16

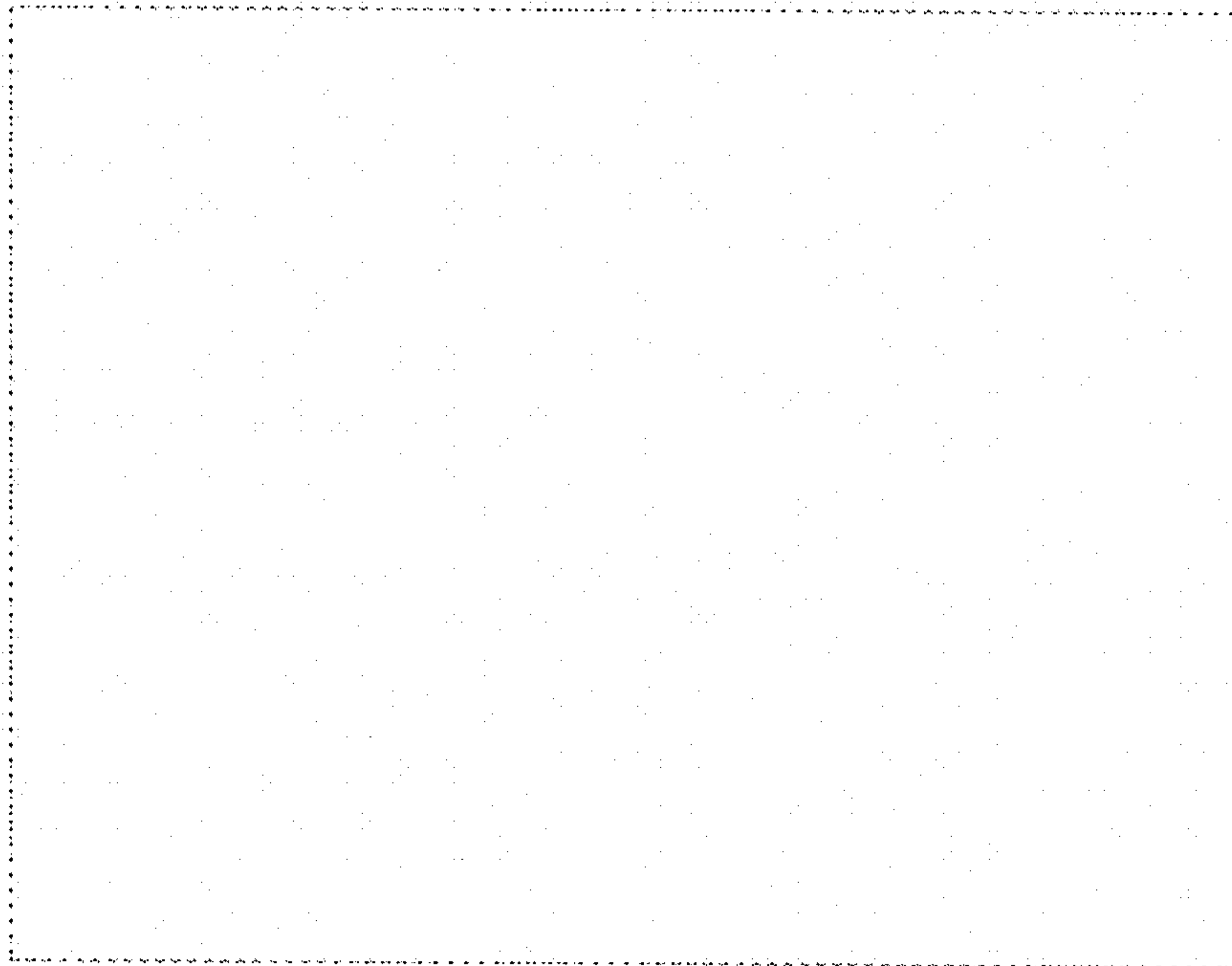


Fig. 17

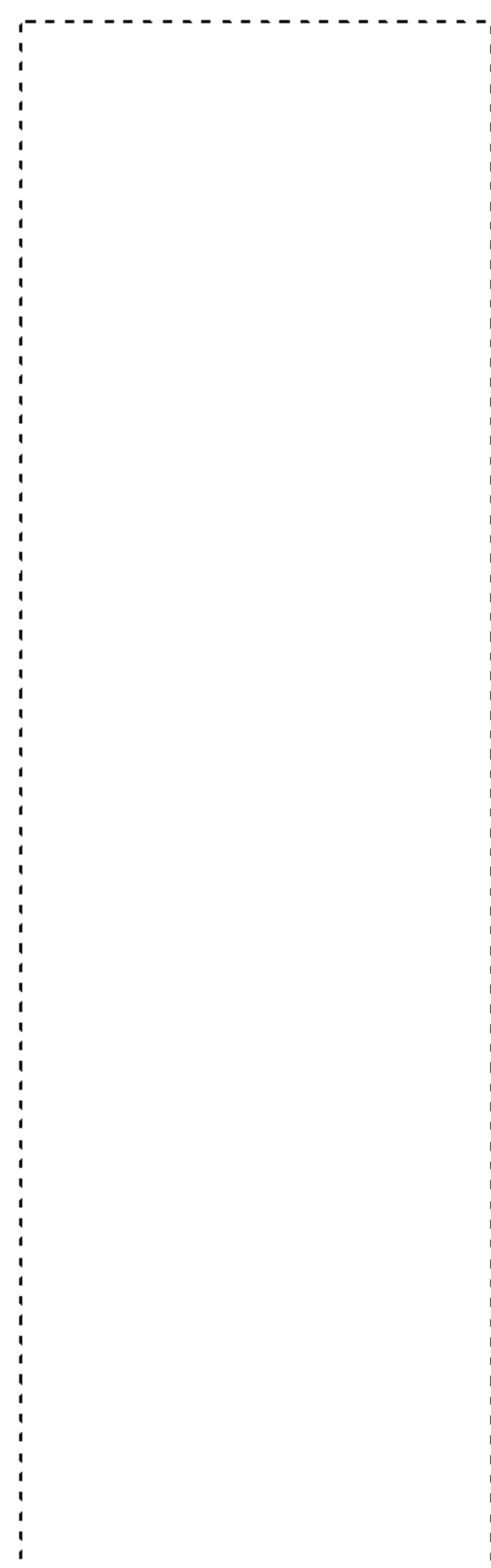


Fig. 18

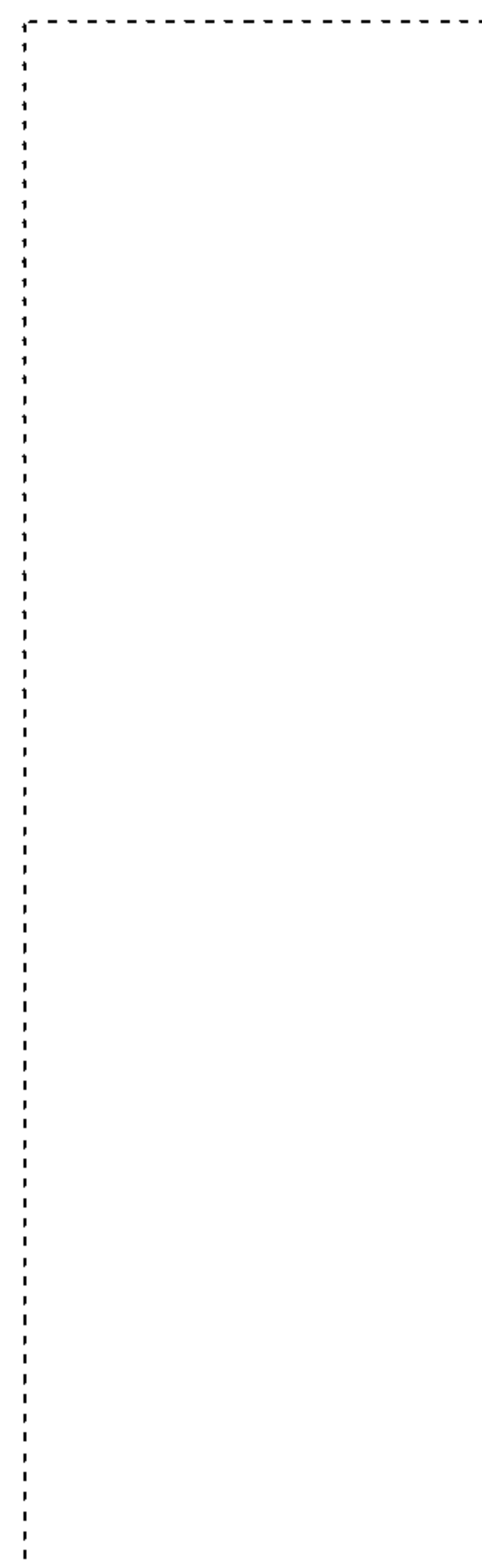


Fig. 19



Fig. 20



Fig. 21

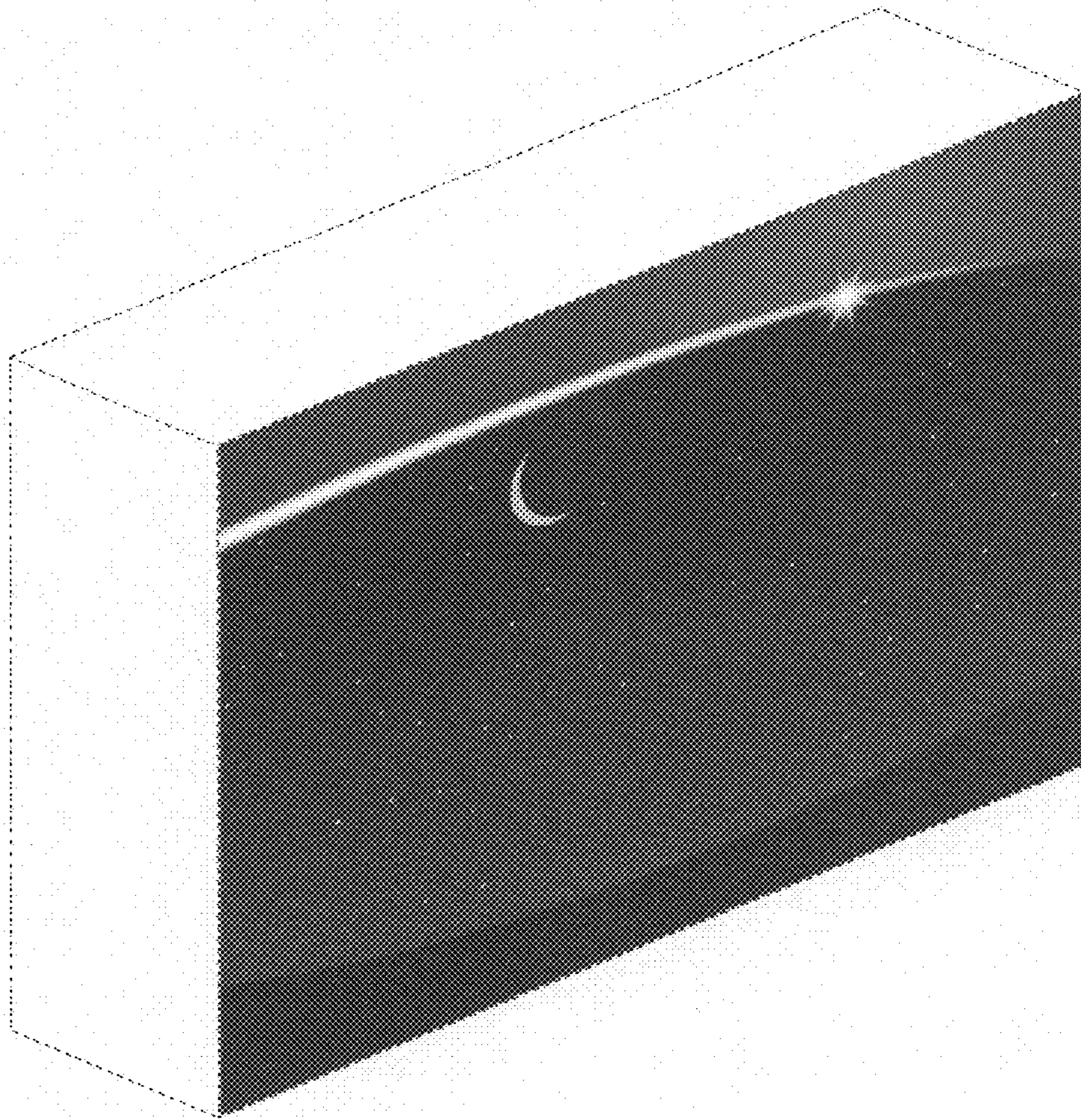


Fig. 22



Fig. 23

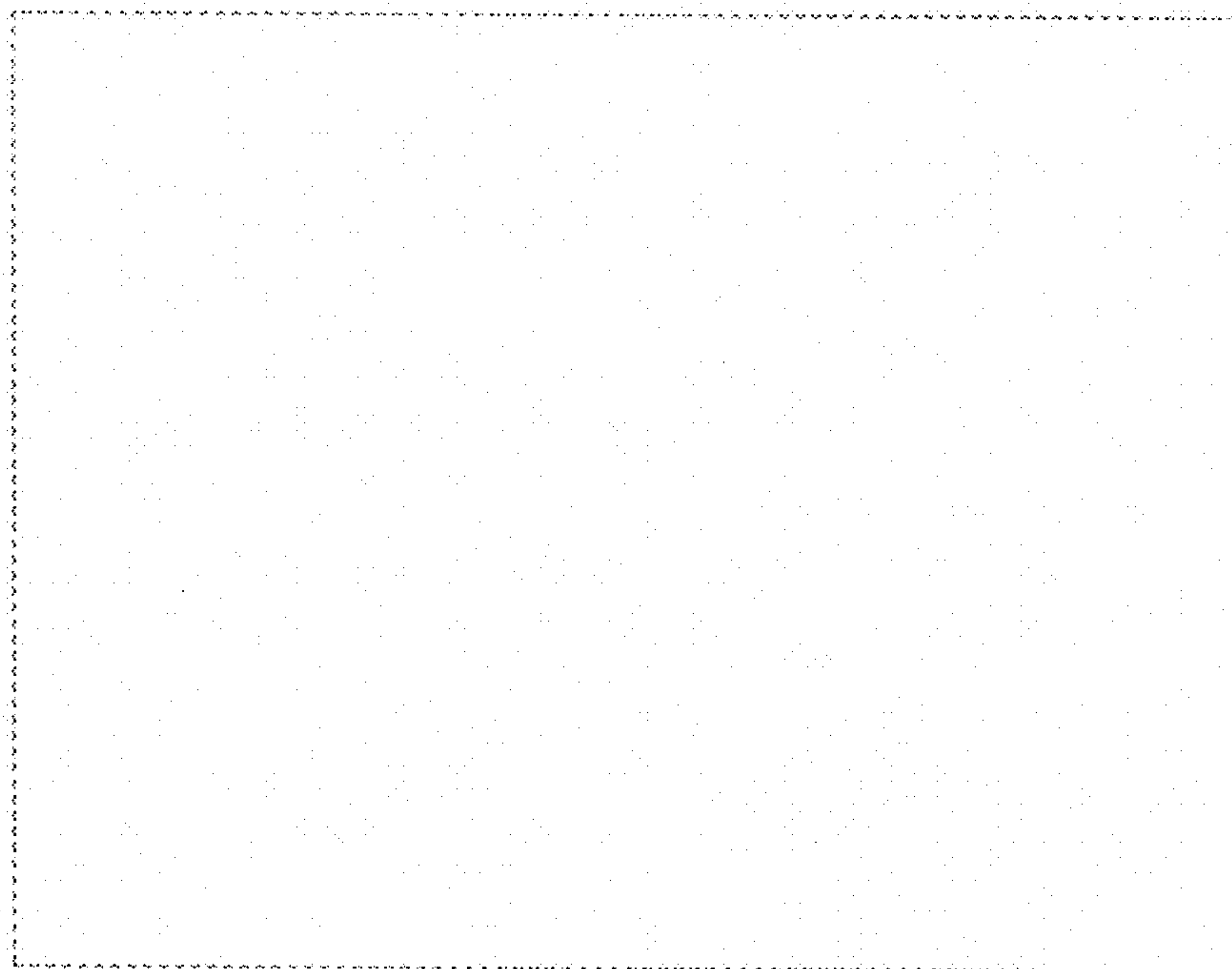


Fig. 24

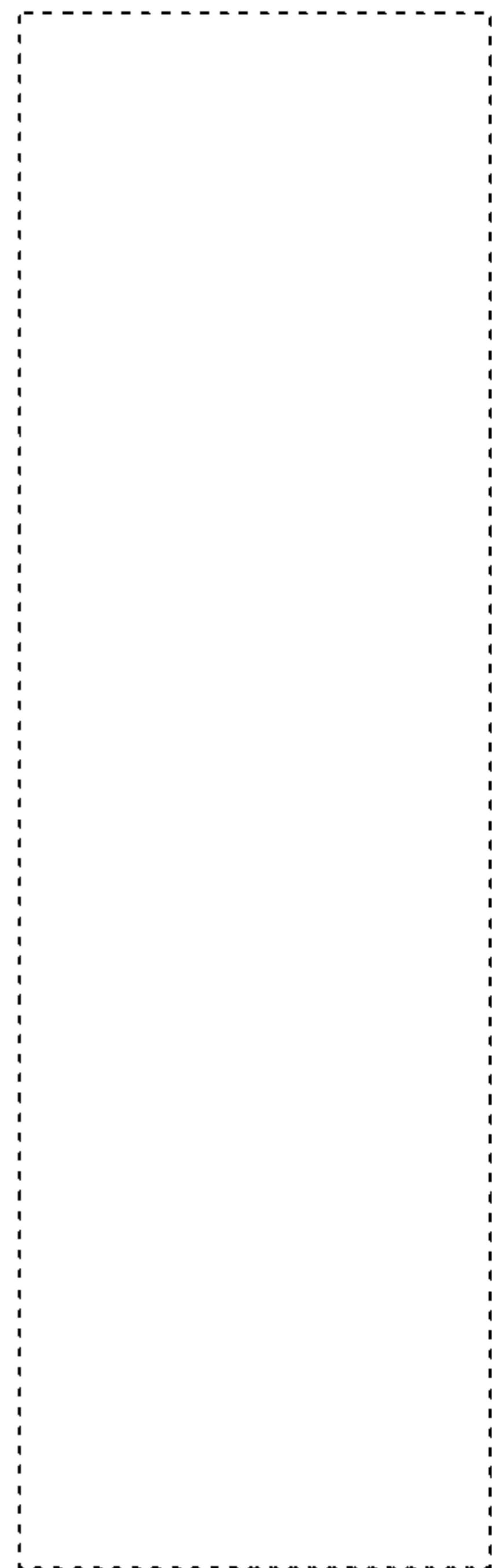


Fig. 25

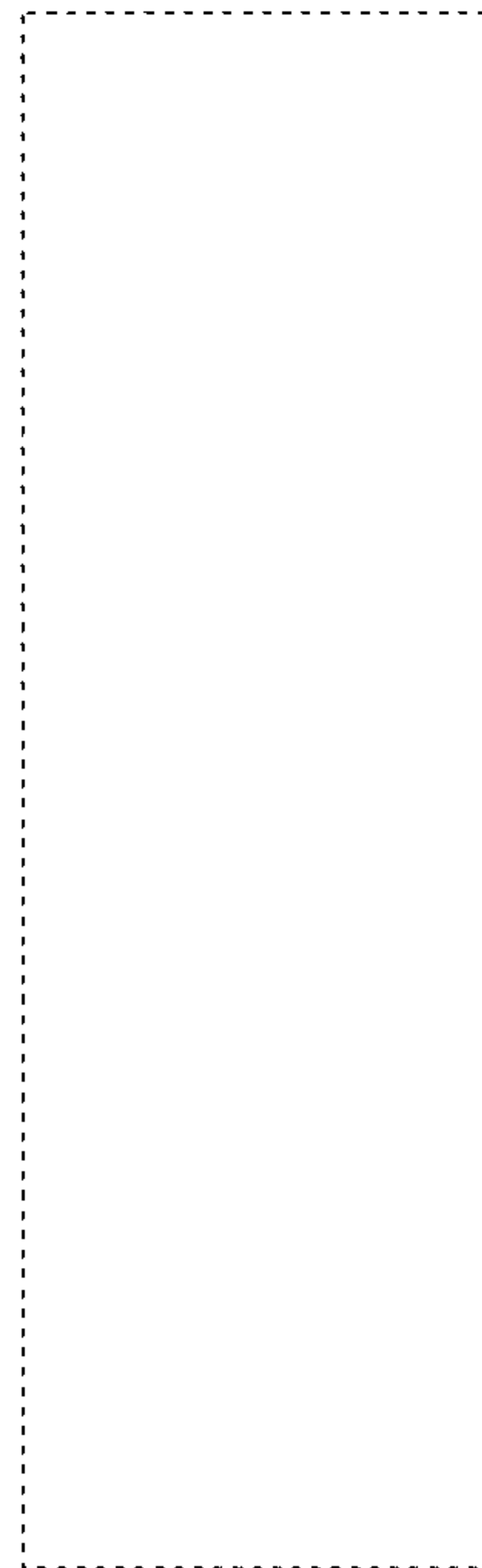


Fig. 26

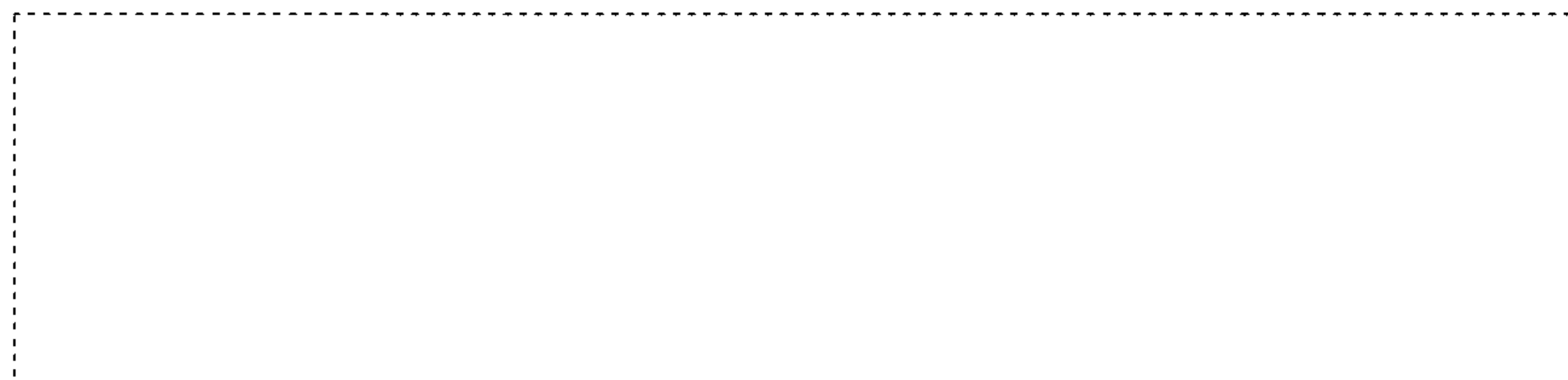


Fig. 27

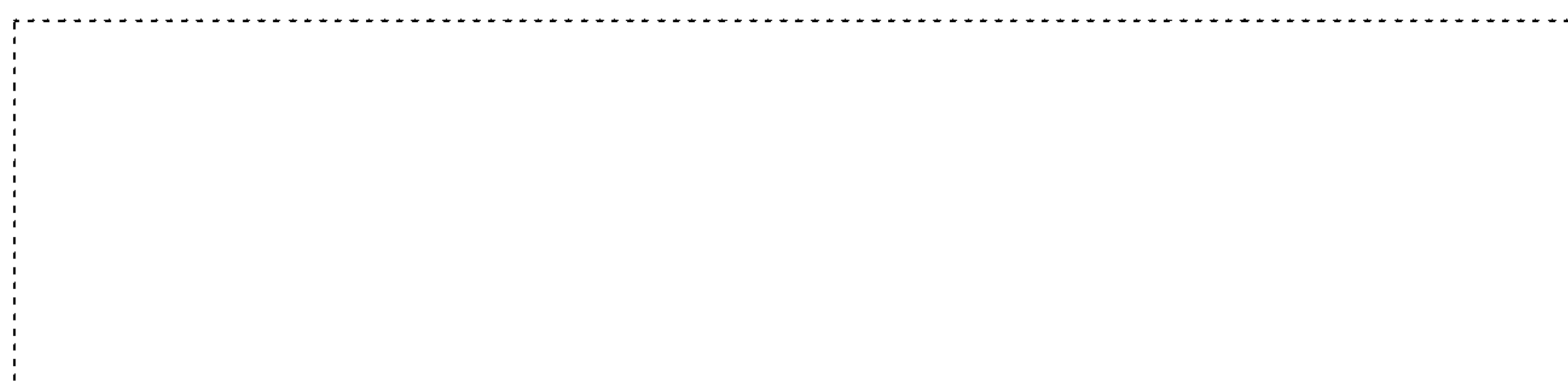


Fig. 28

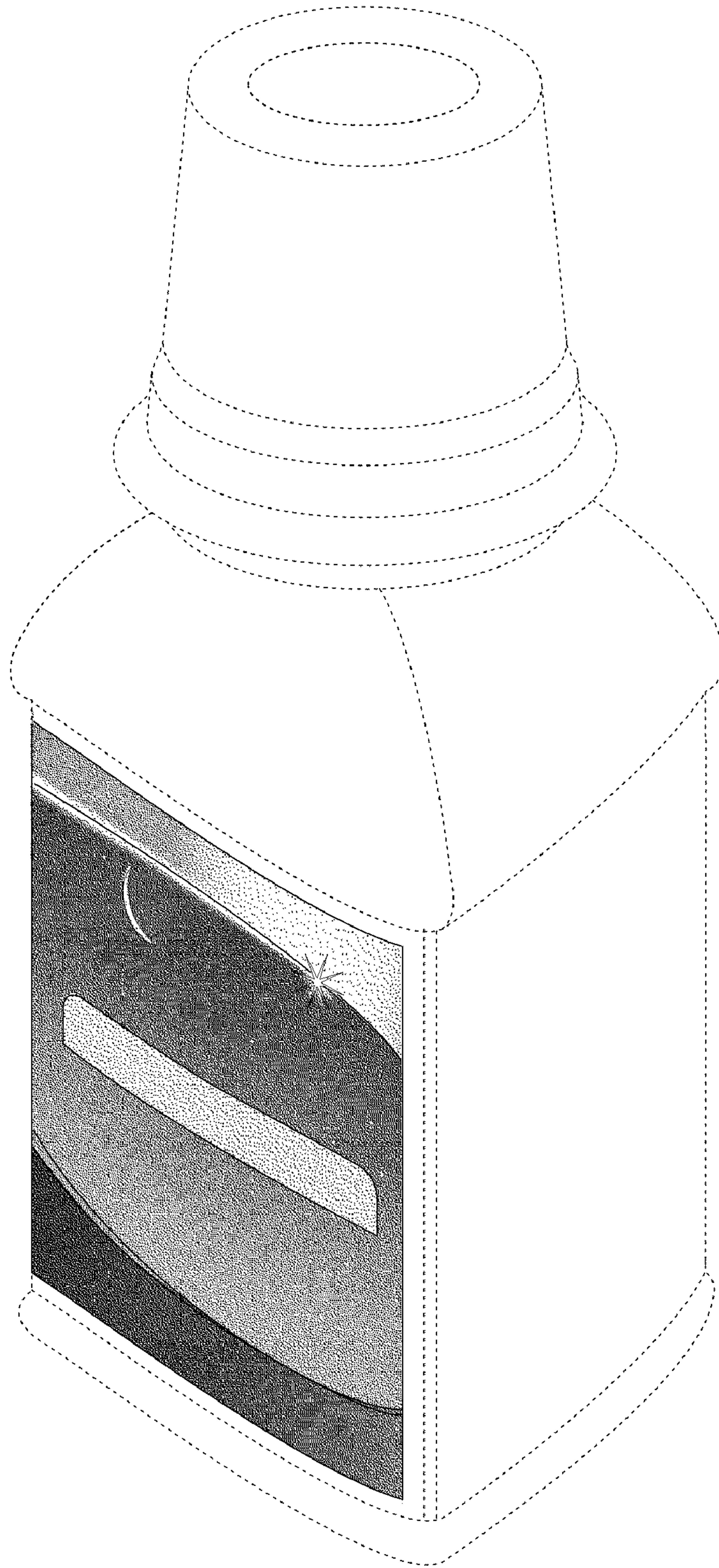


Fig. 29

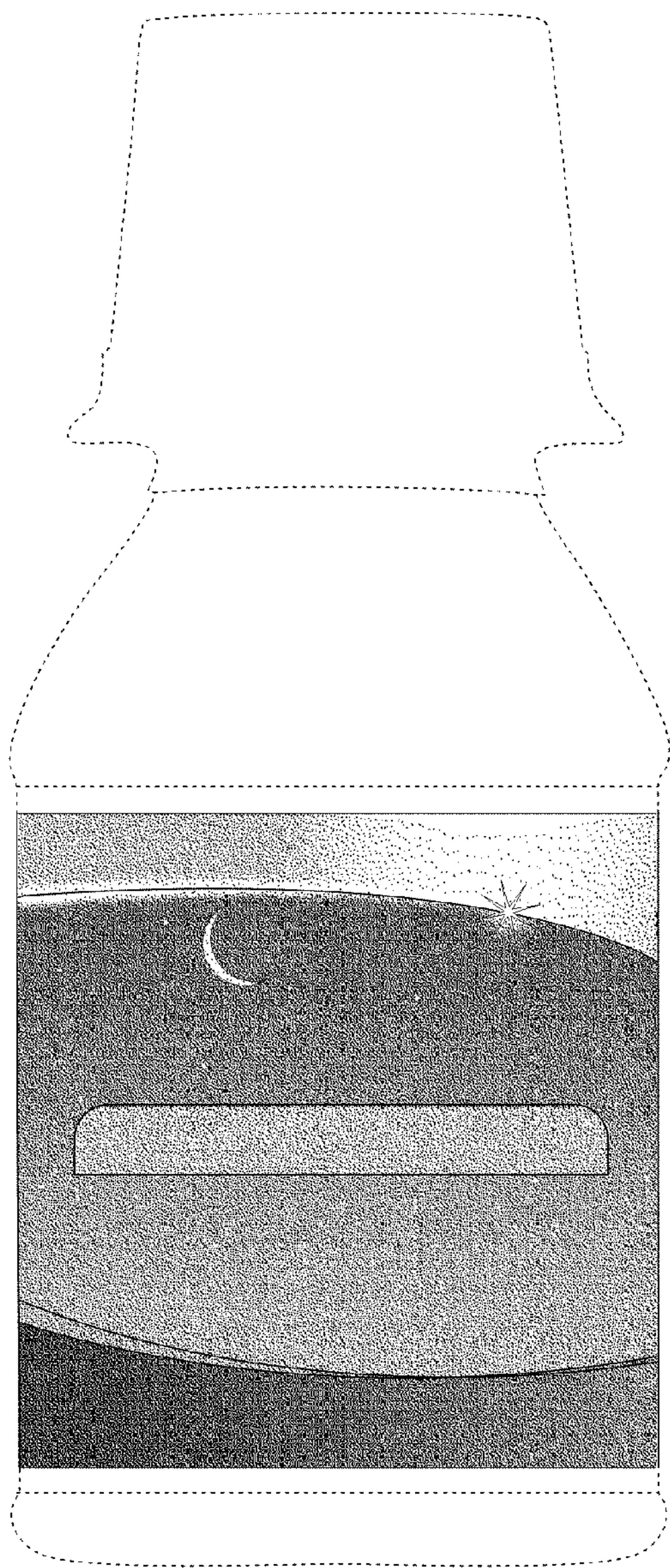


Fig. 30

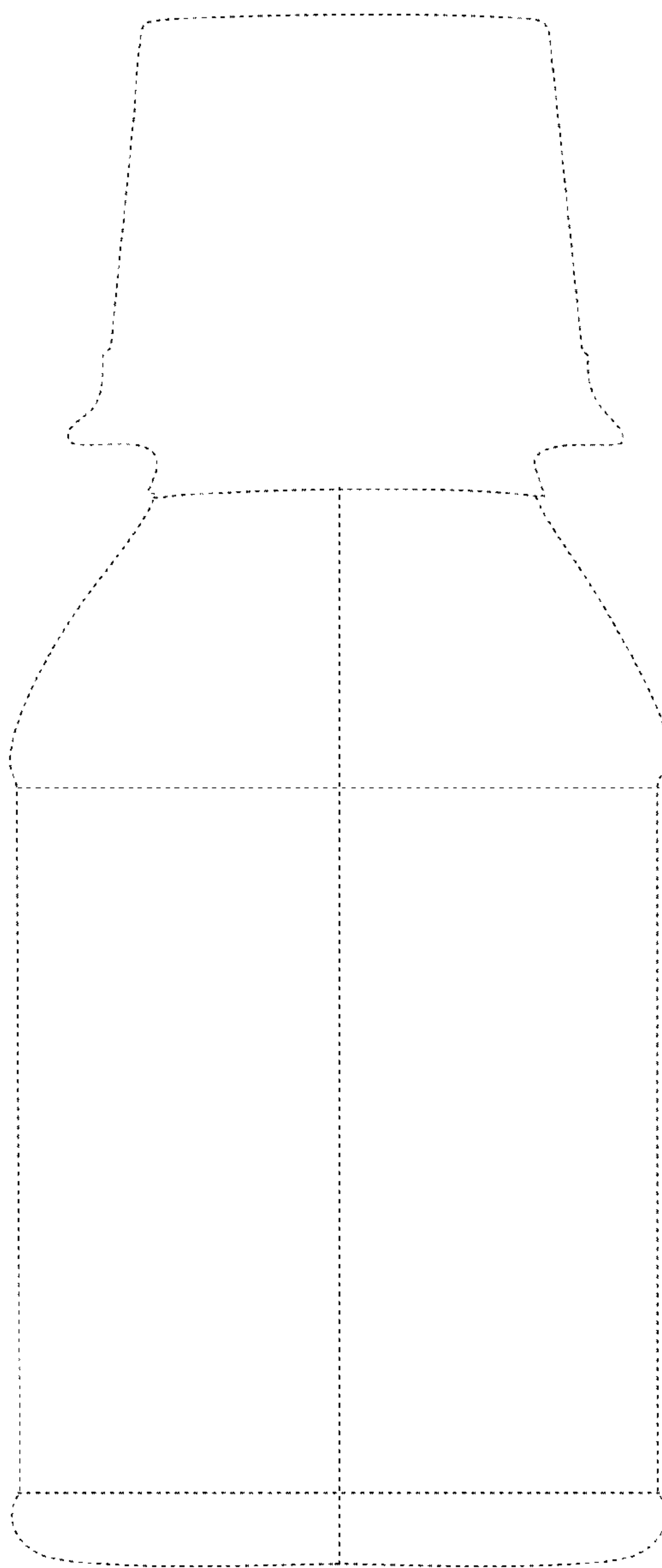


Fig. 31

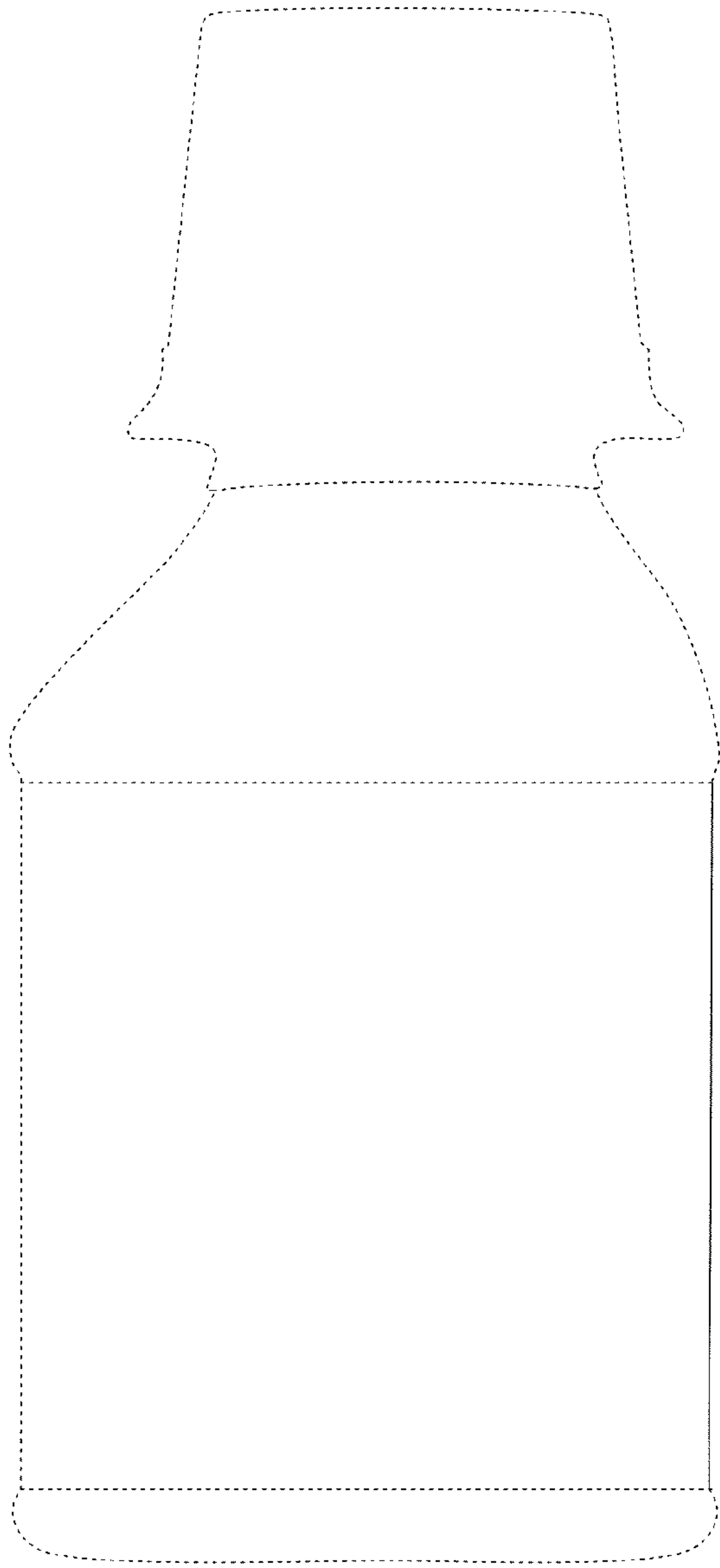


Fig. 32

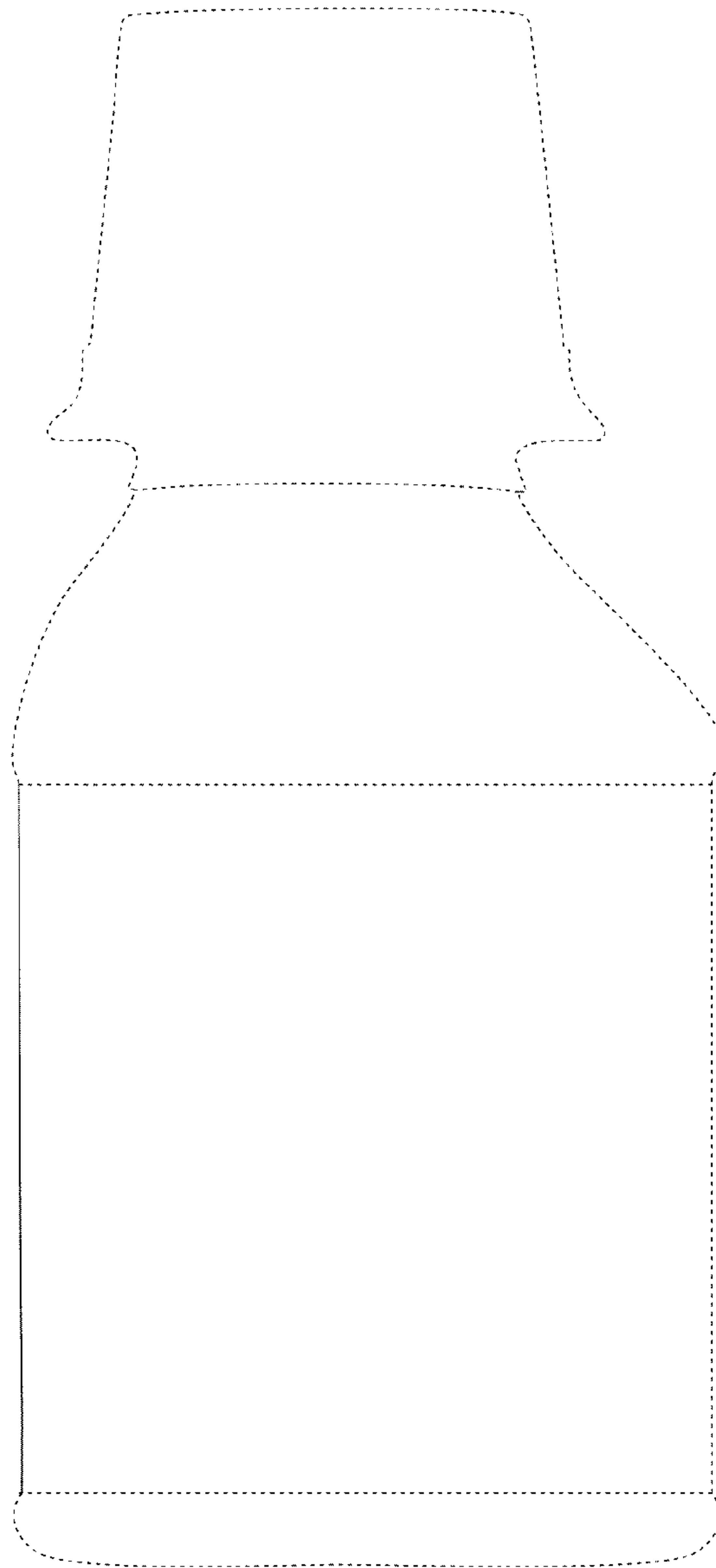


Fig. 33

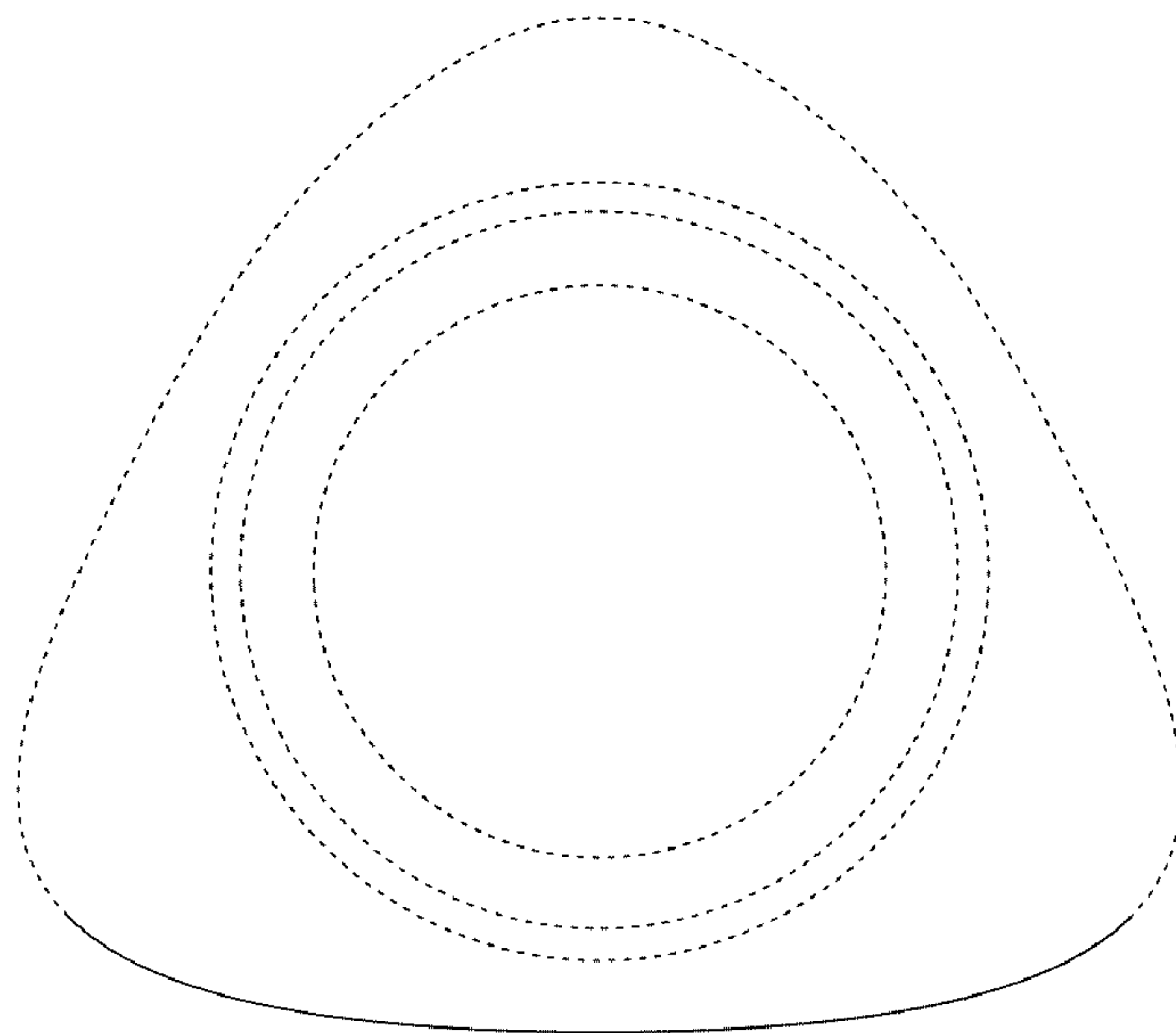


Fig. 34

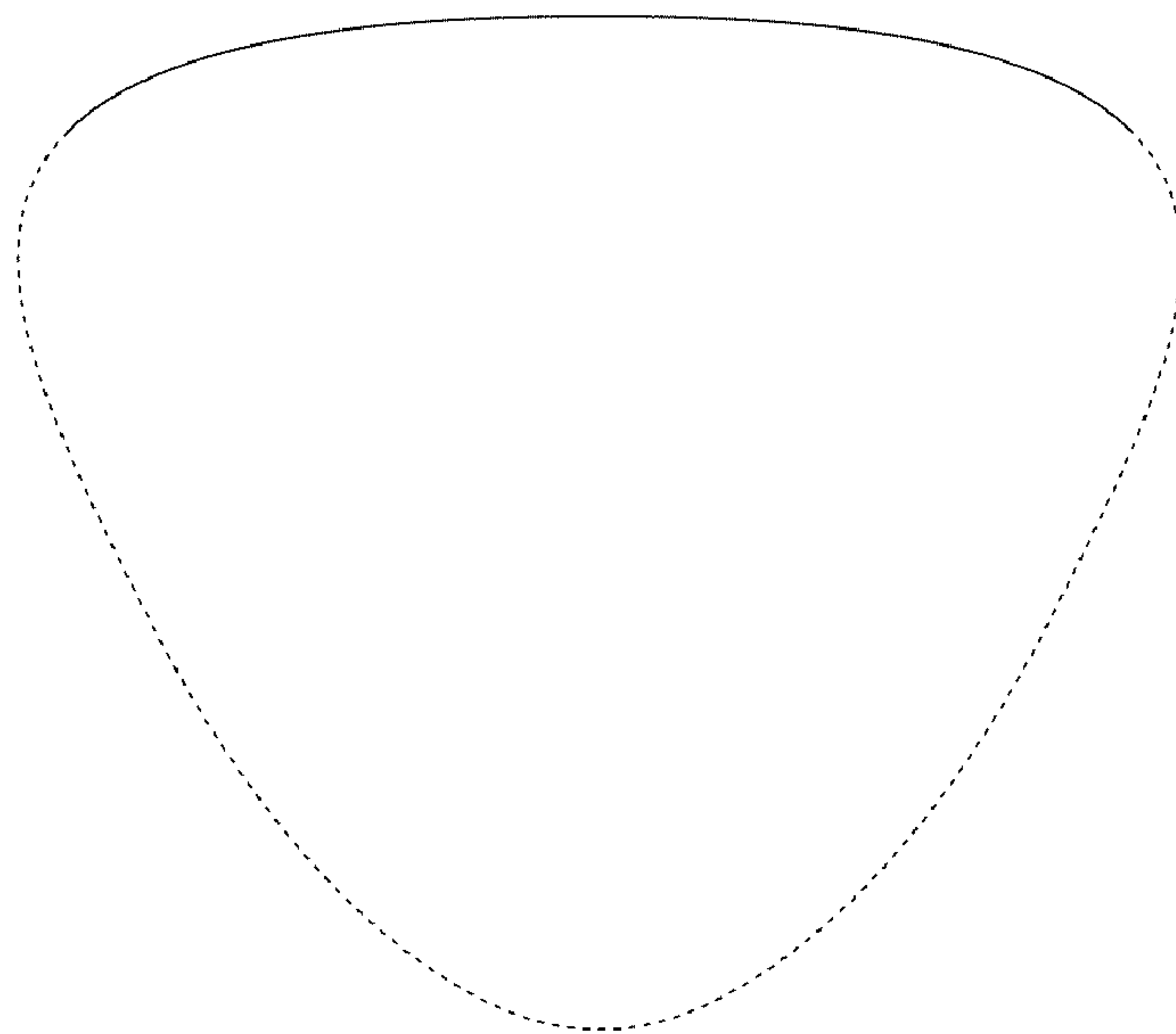


Fig. 35

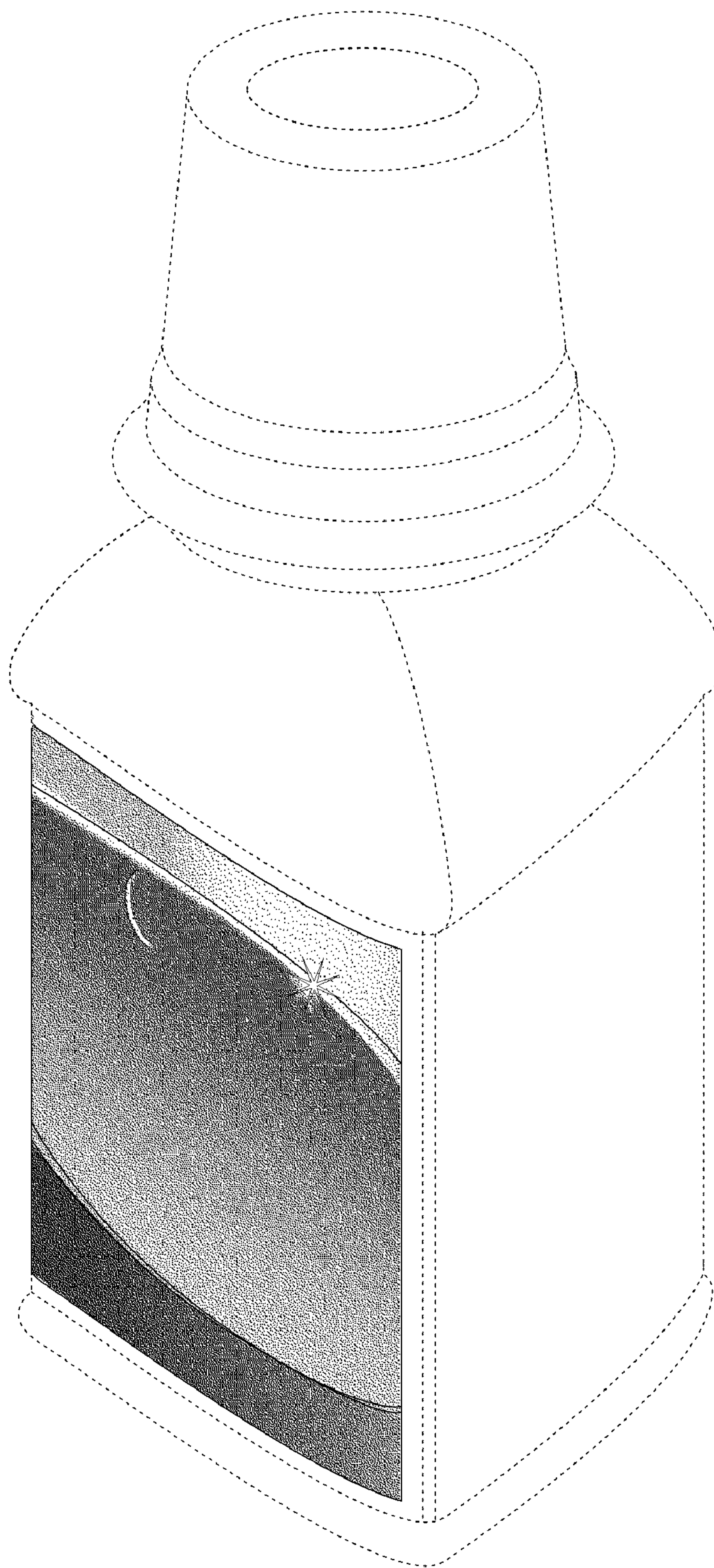


Fig. 36

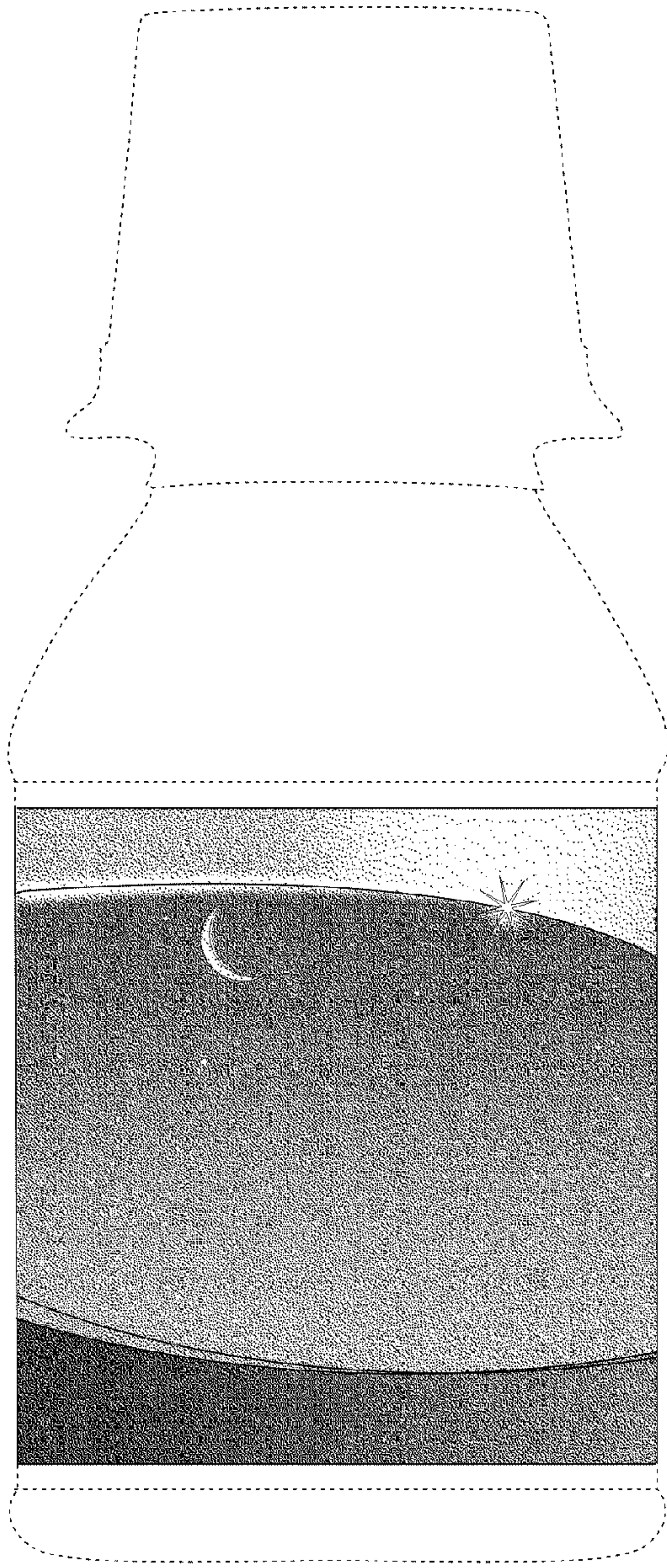


Fig. 37

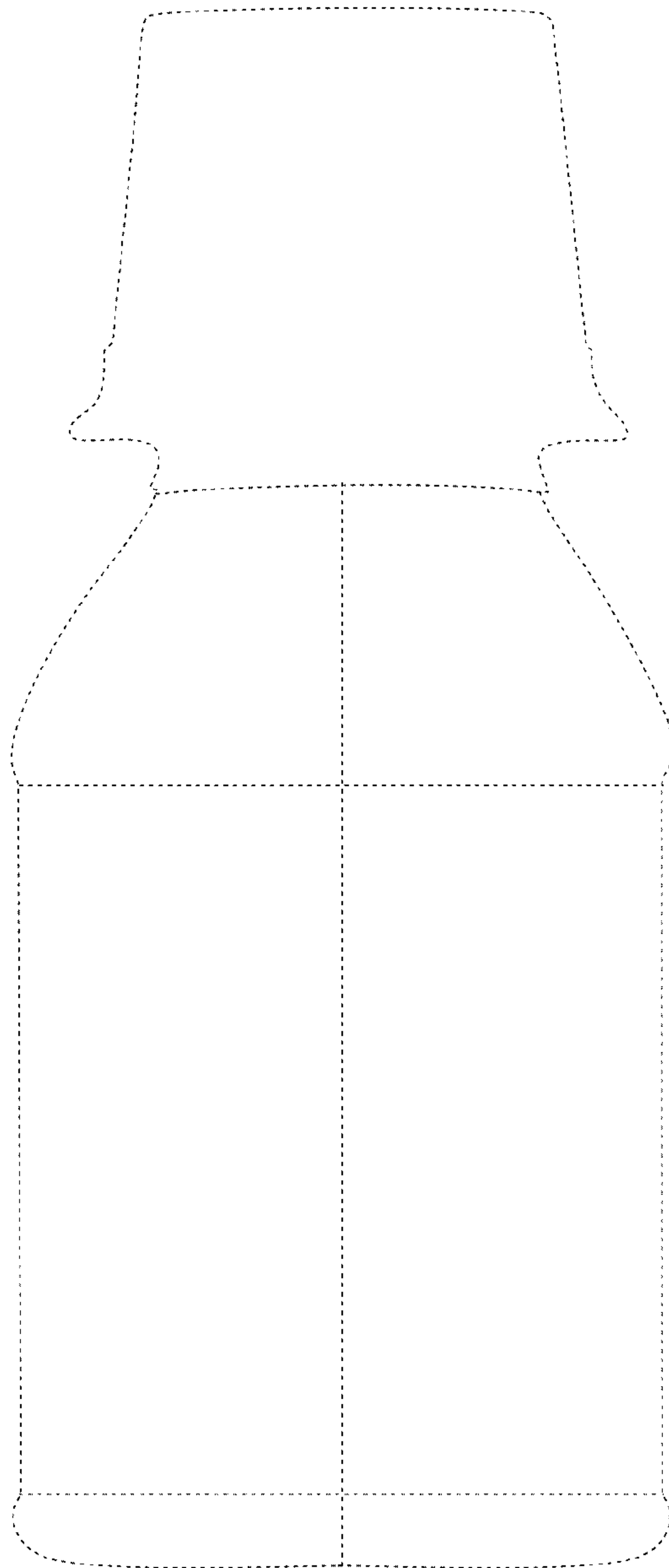


Fig. 38

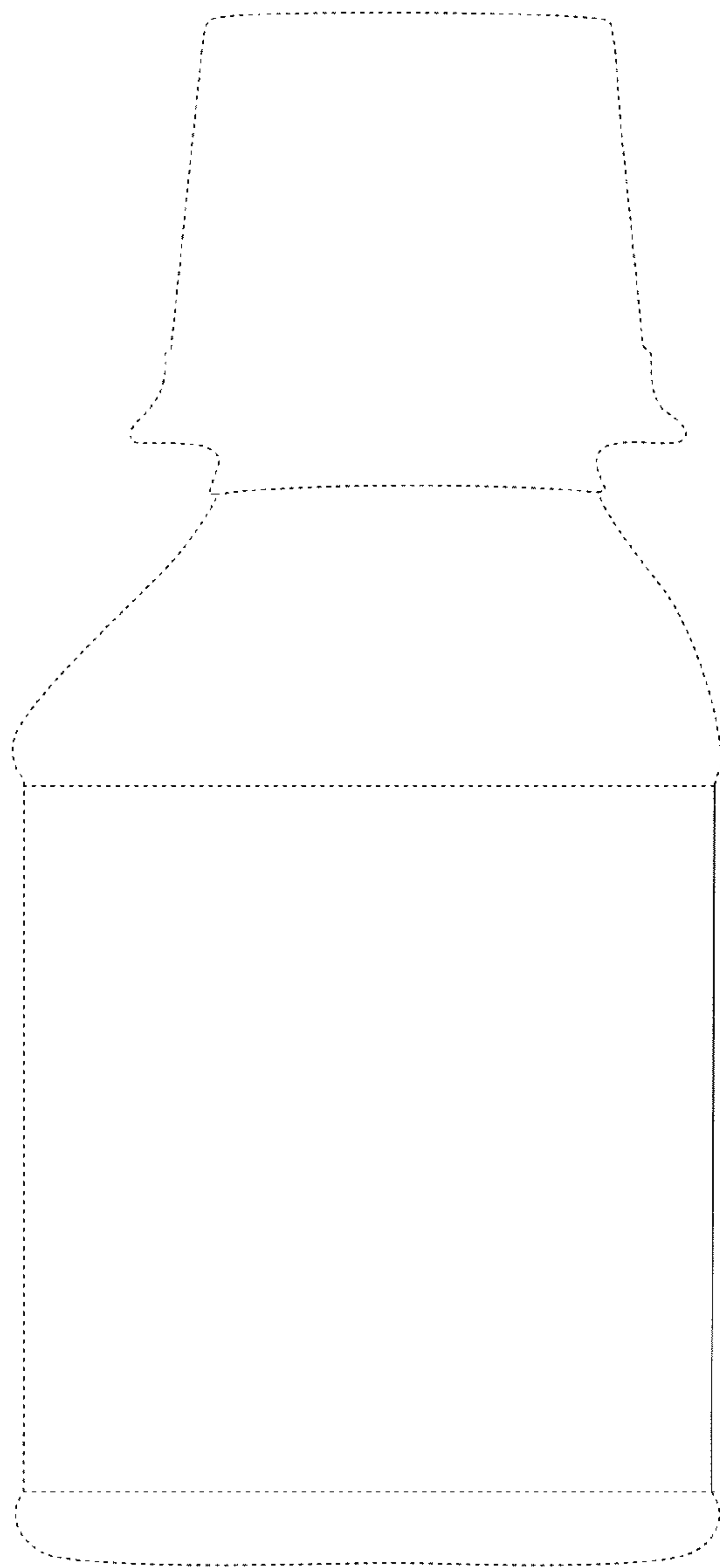


Fig. 39

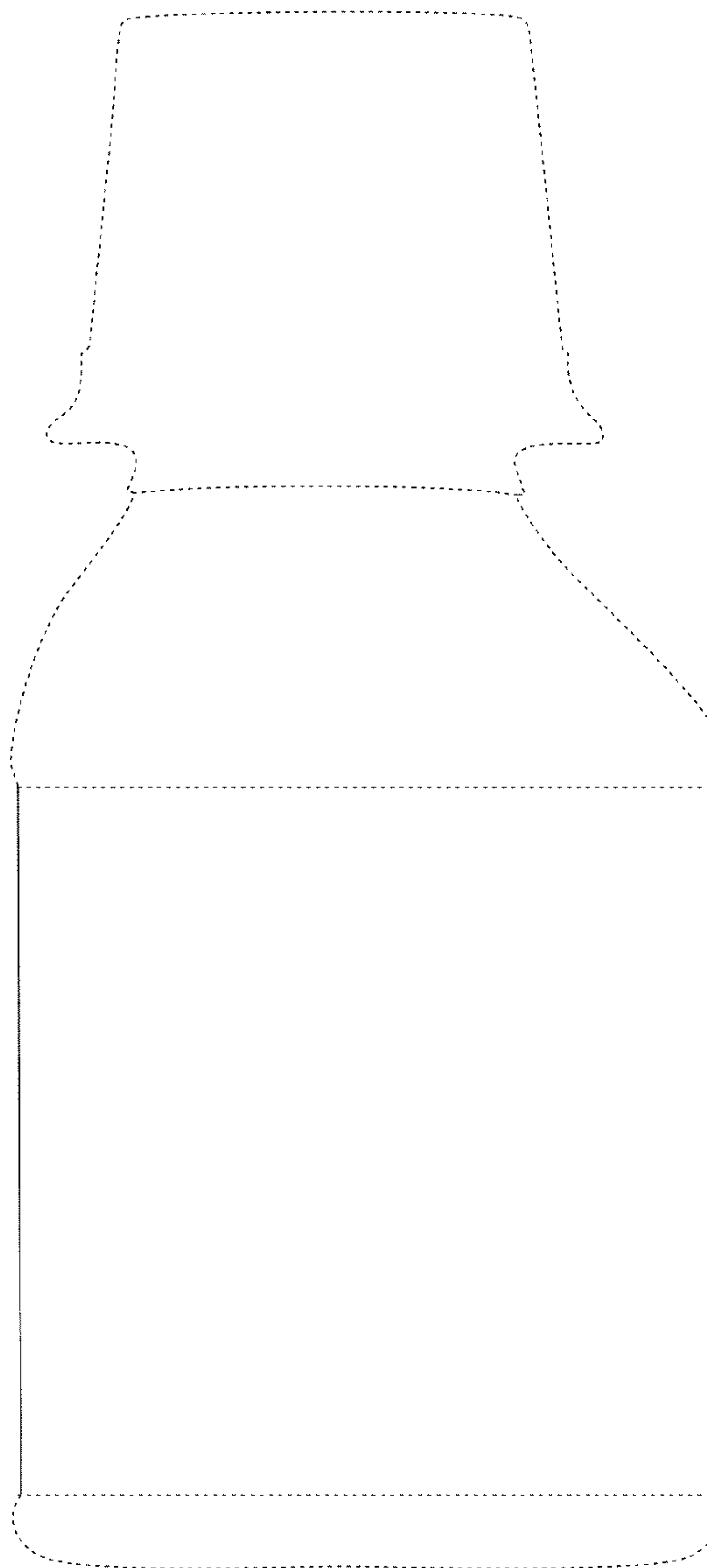


Fig. 40

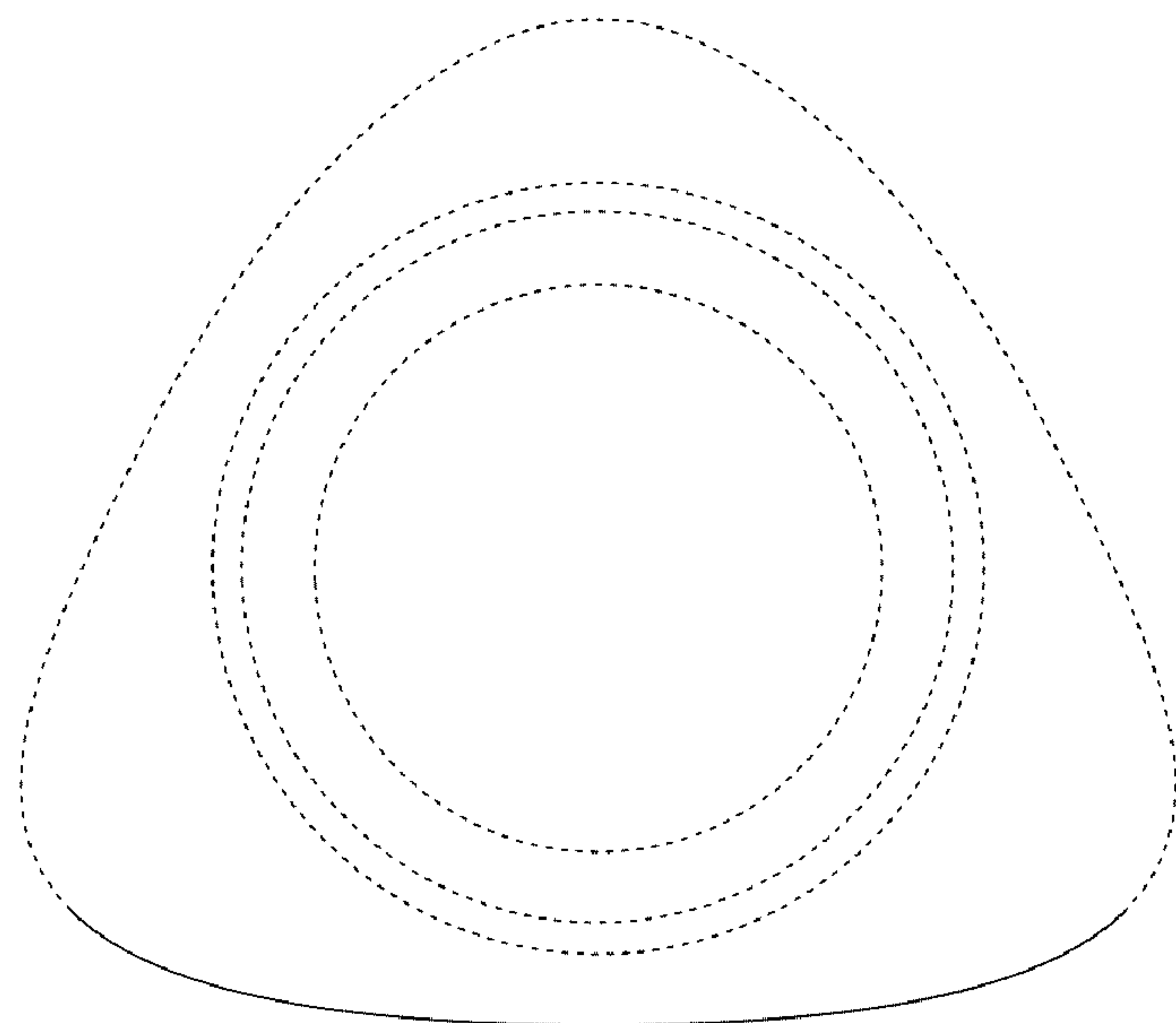


Fig. 41

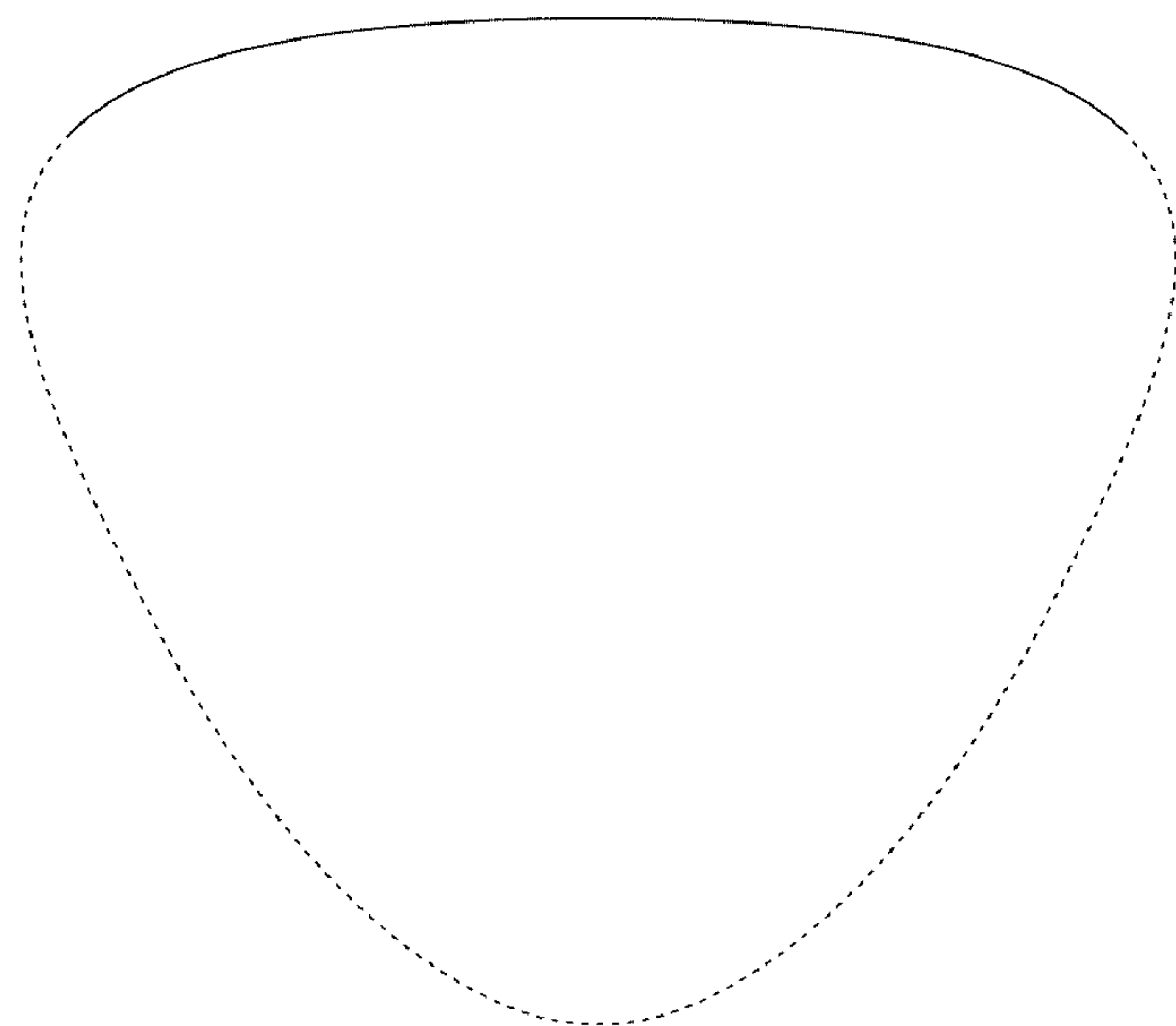


Fig. 42

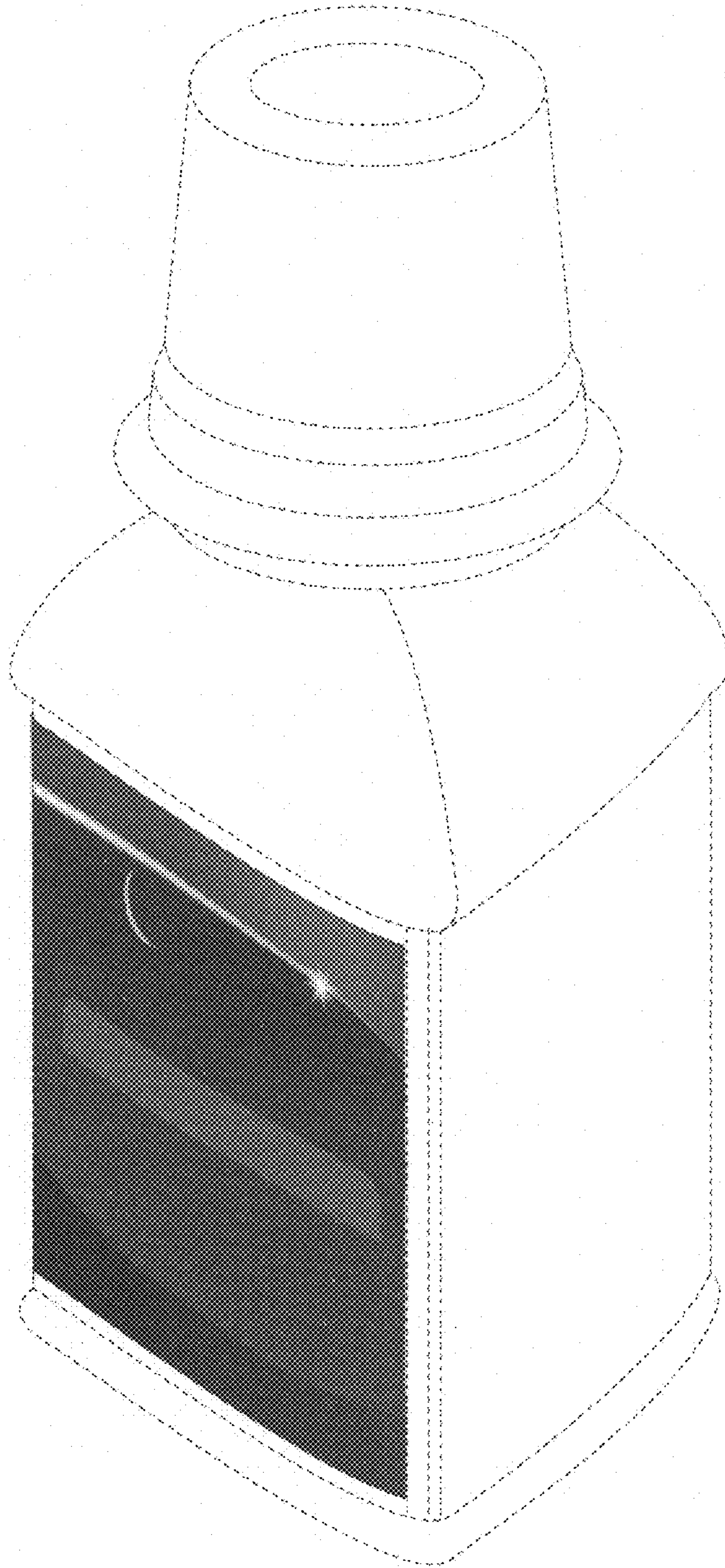


Fig. 43

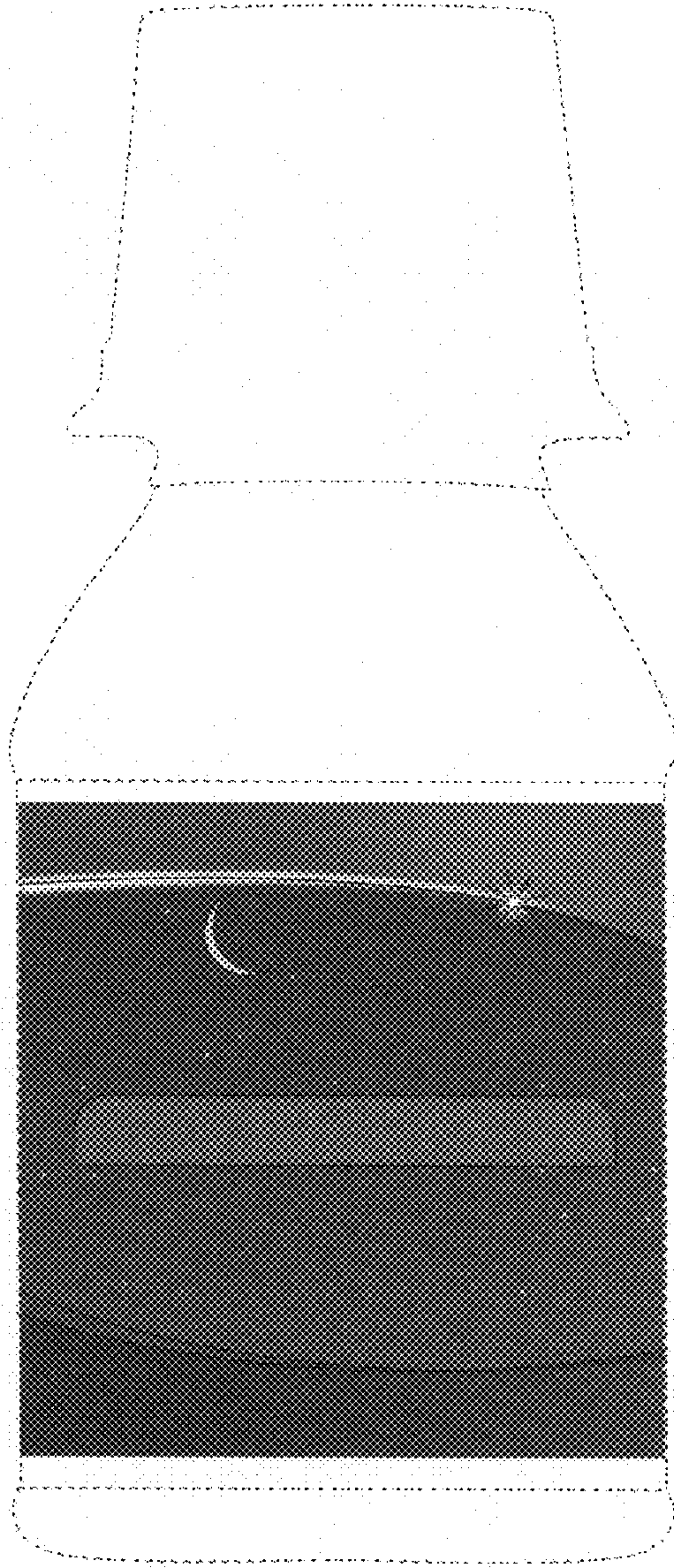


Fig. 44

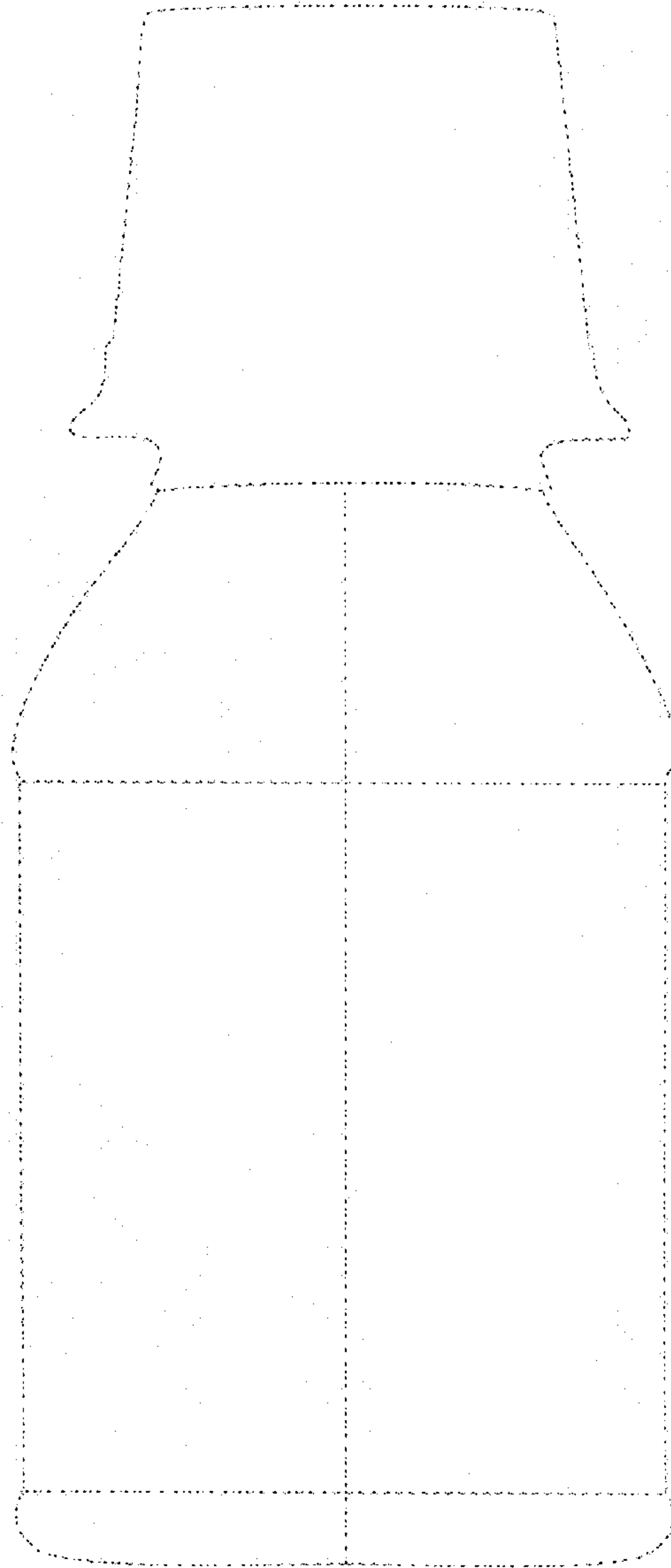


Fig. 45

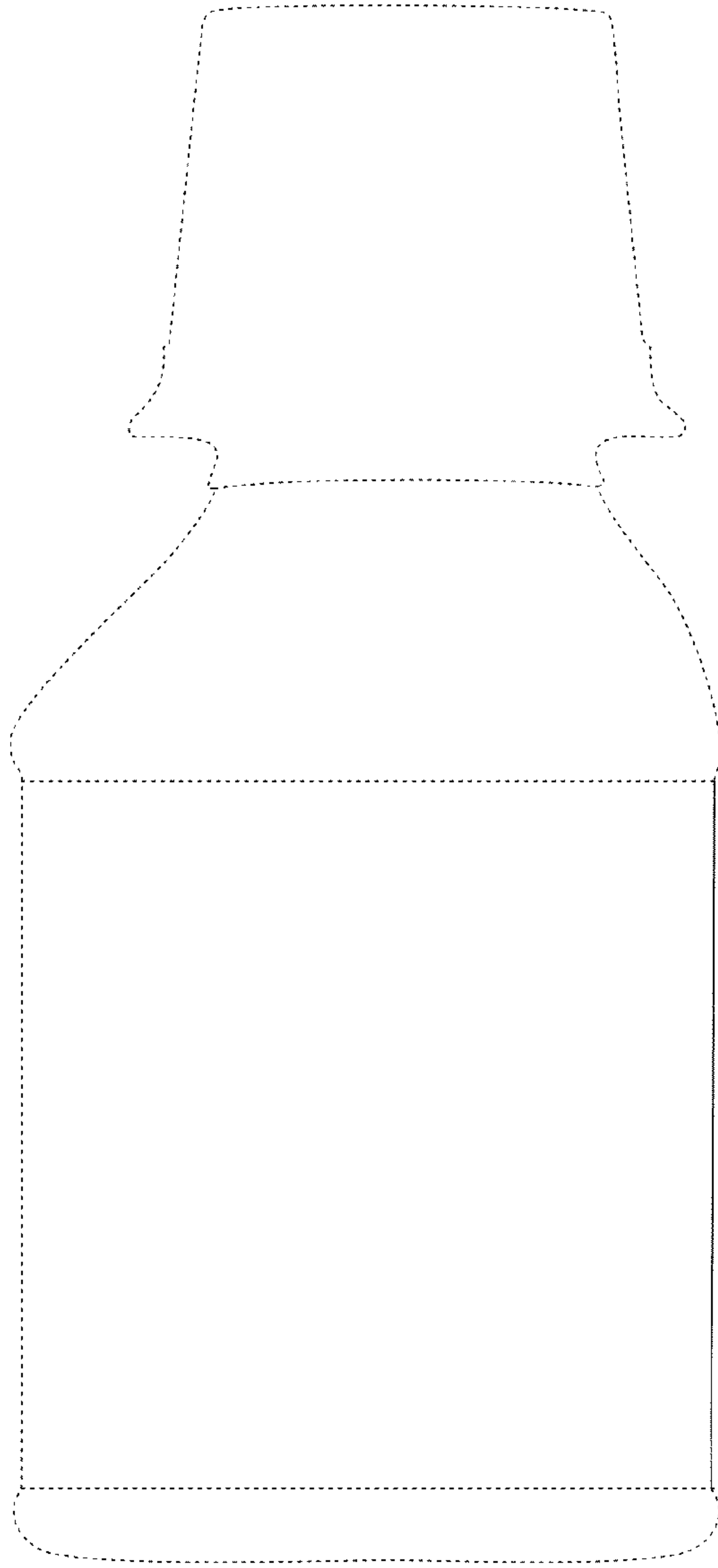


Fig. 46

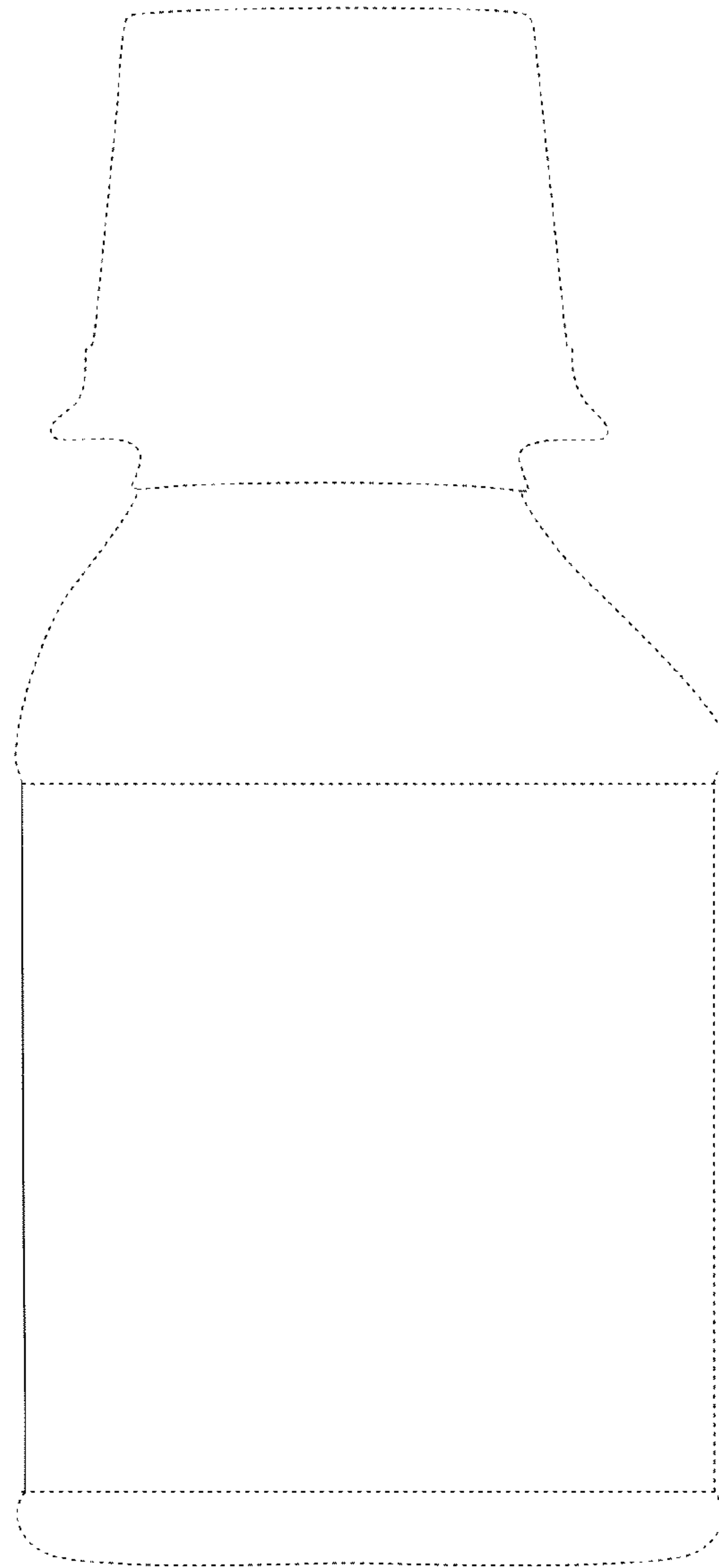


Fig. 47

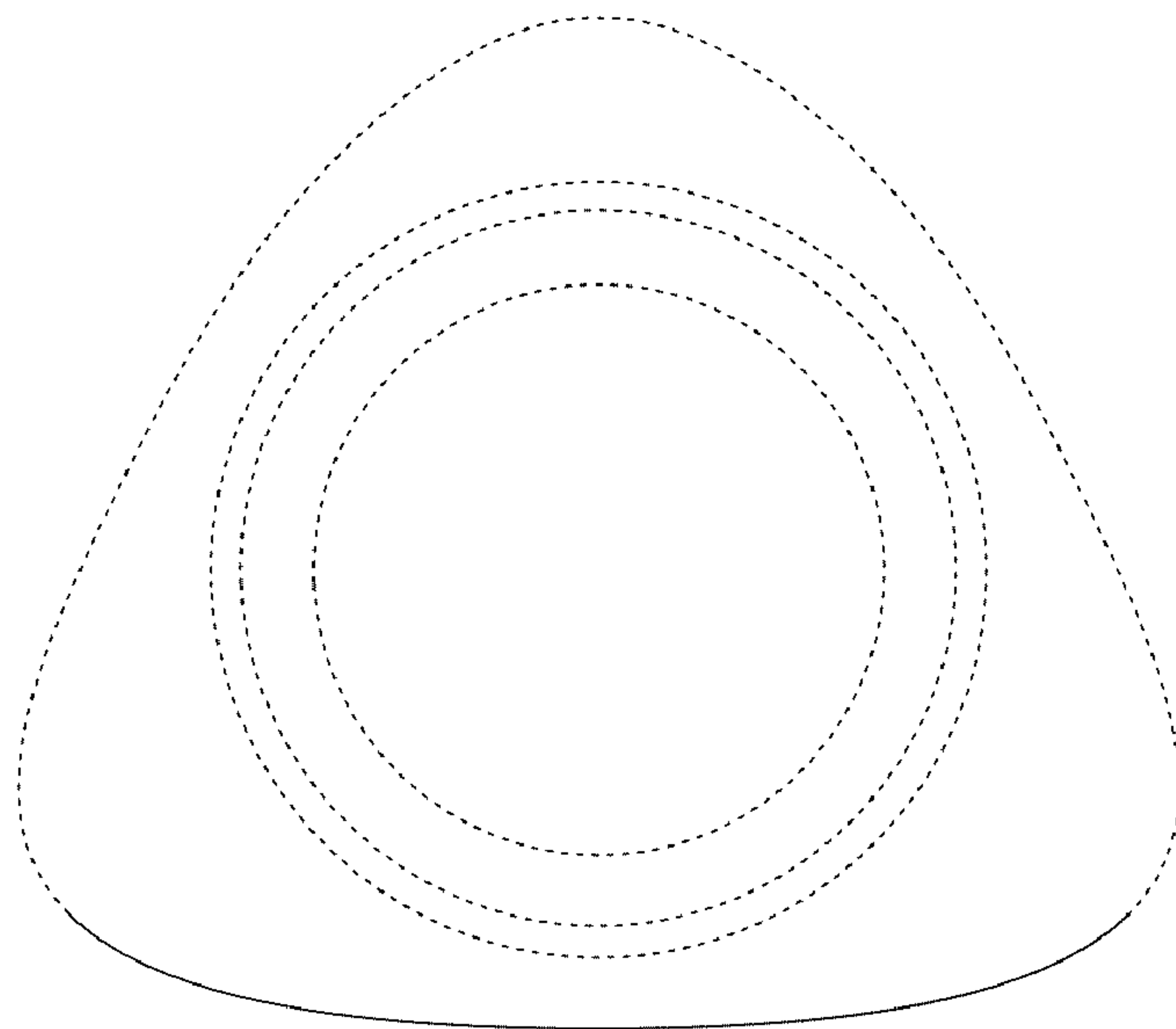


Fig. 48

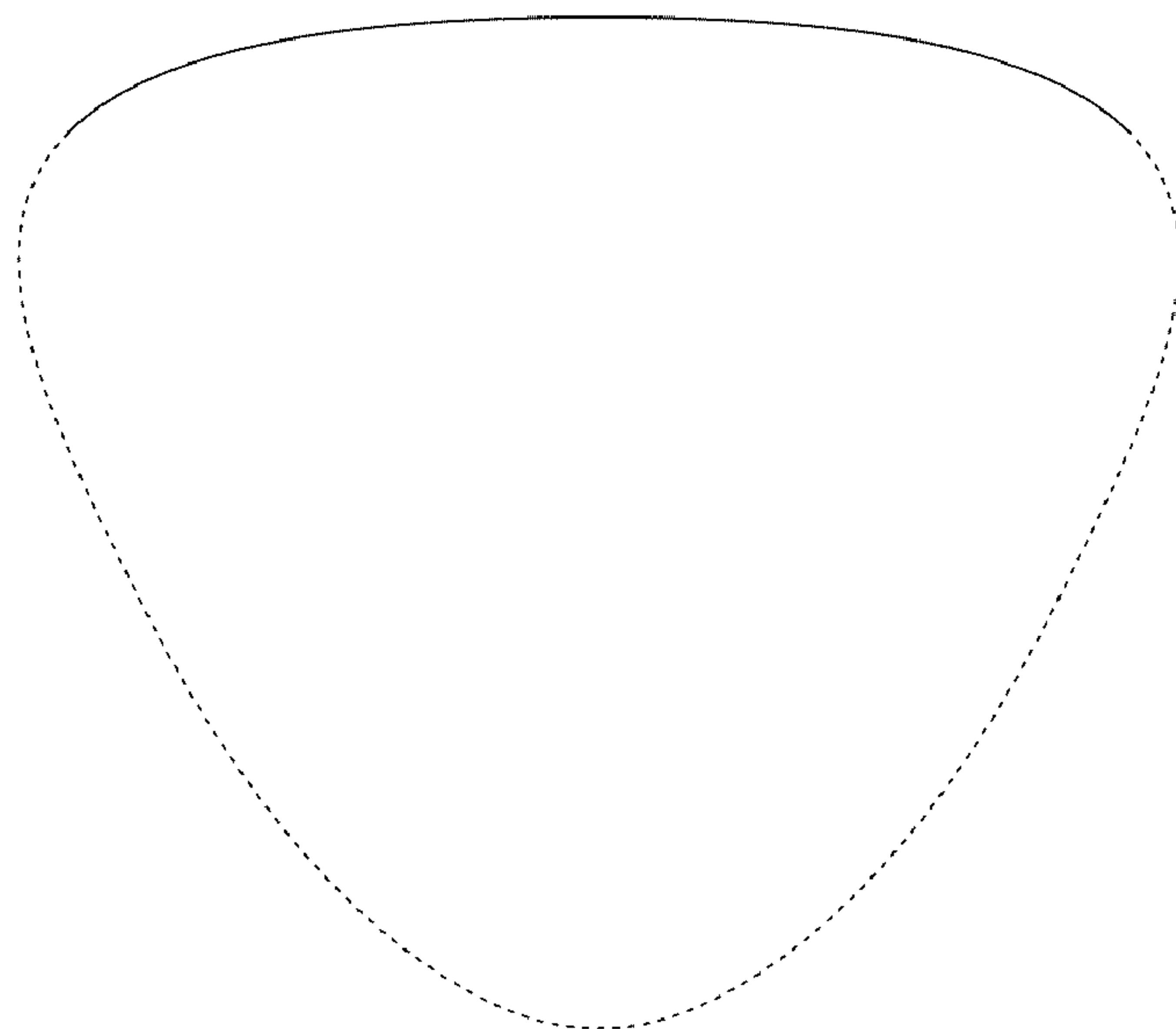


Fig. 49

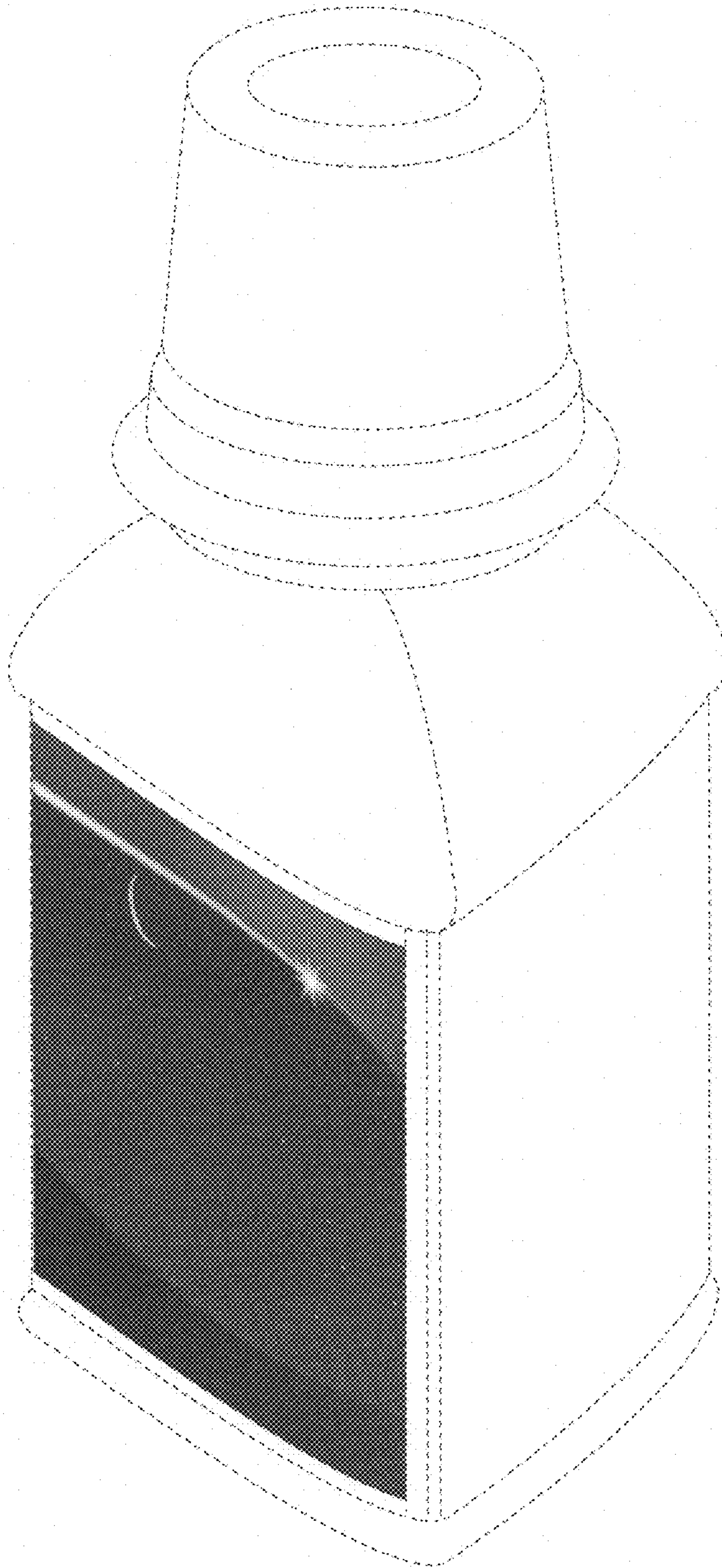


Fig. 50

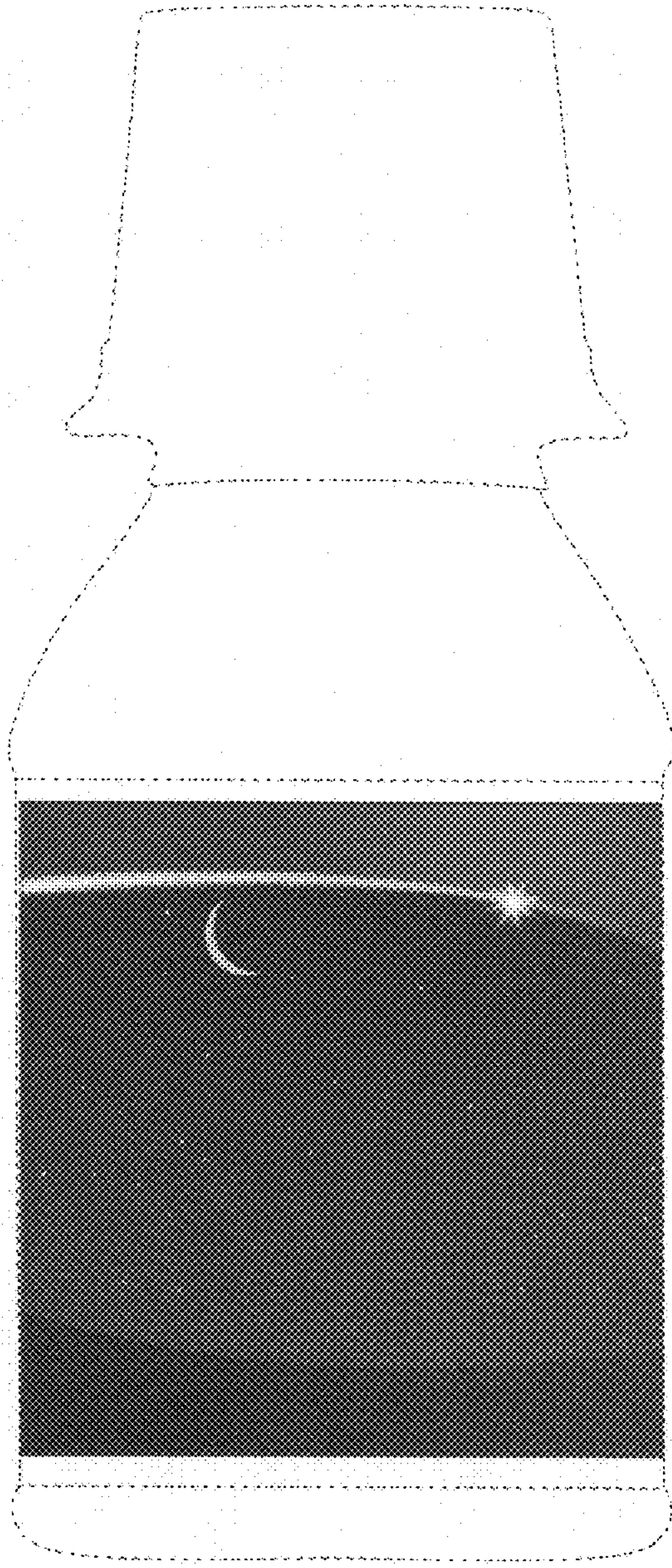


Fig. 51

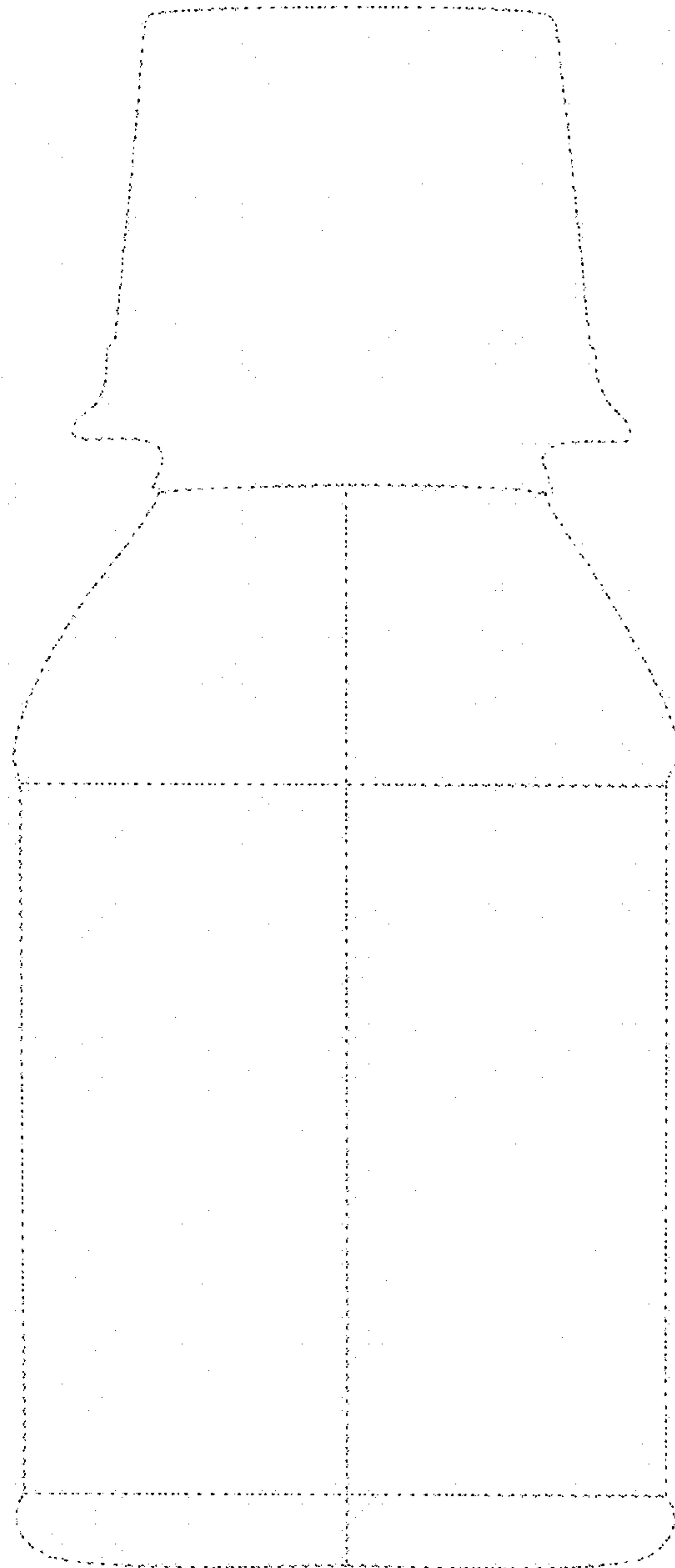


Fig. 52

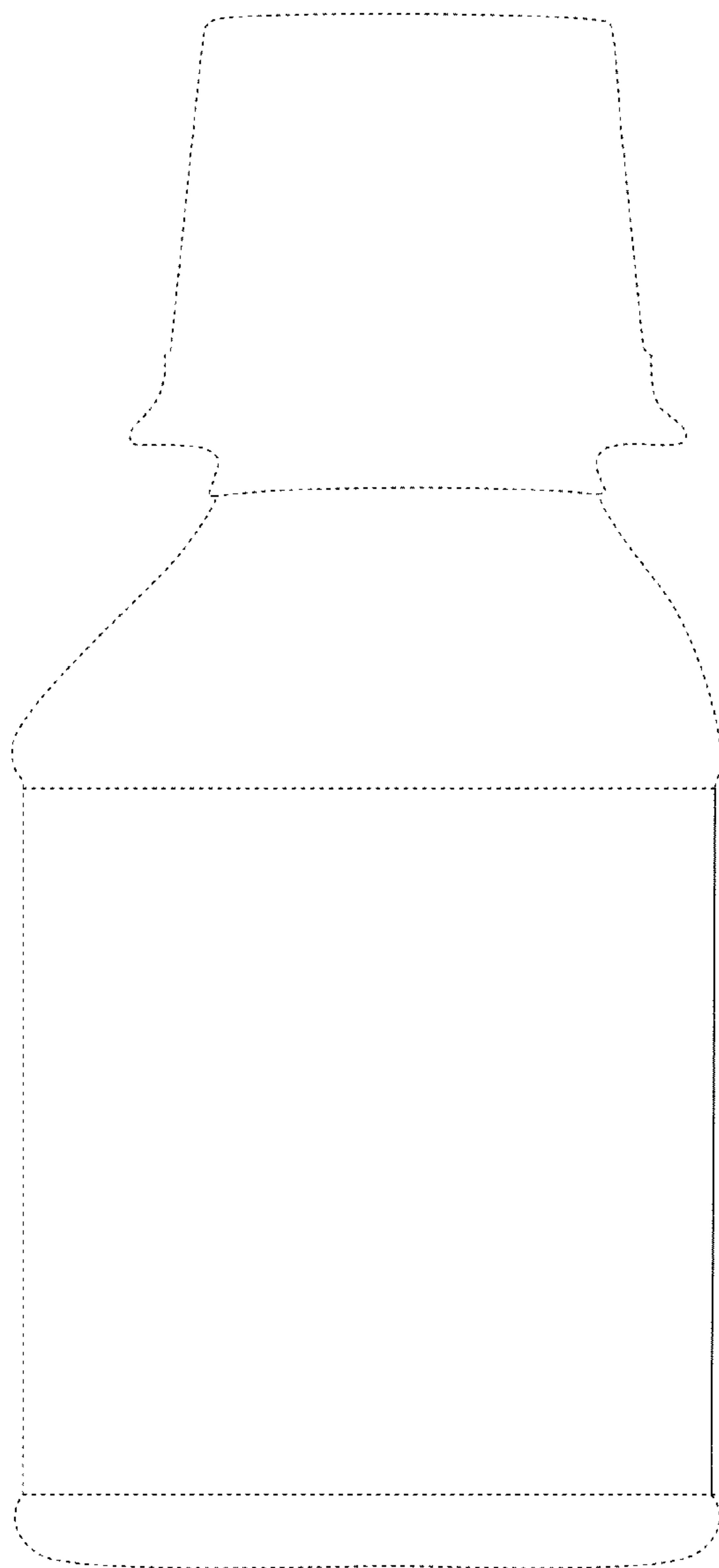


Fig. 53

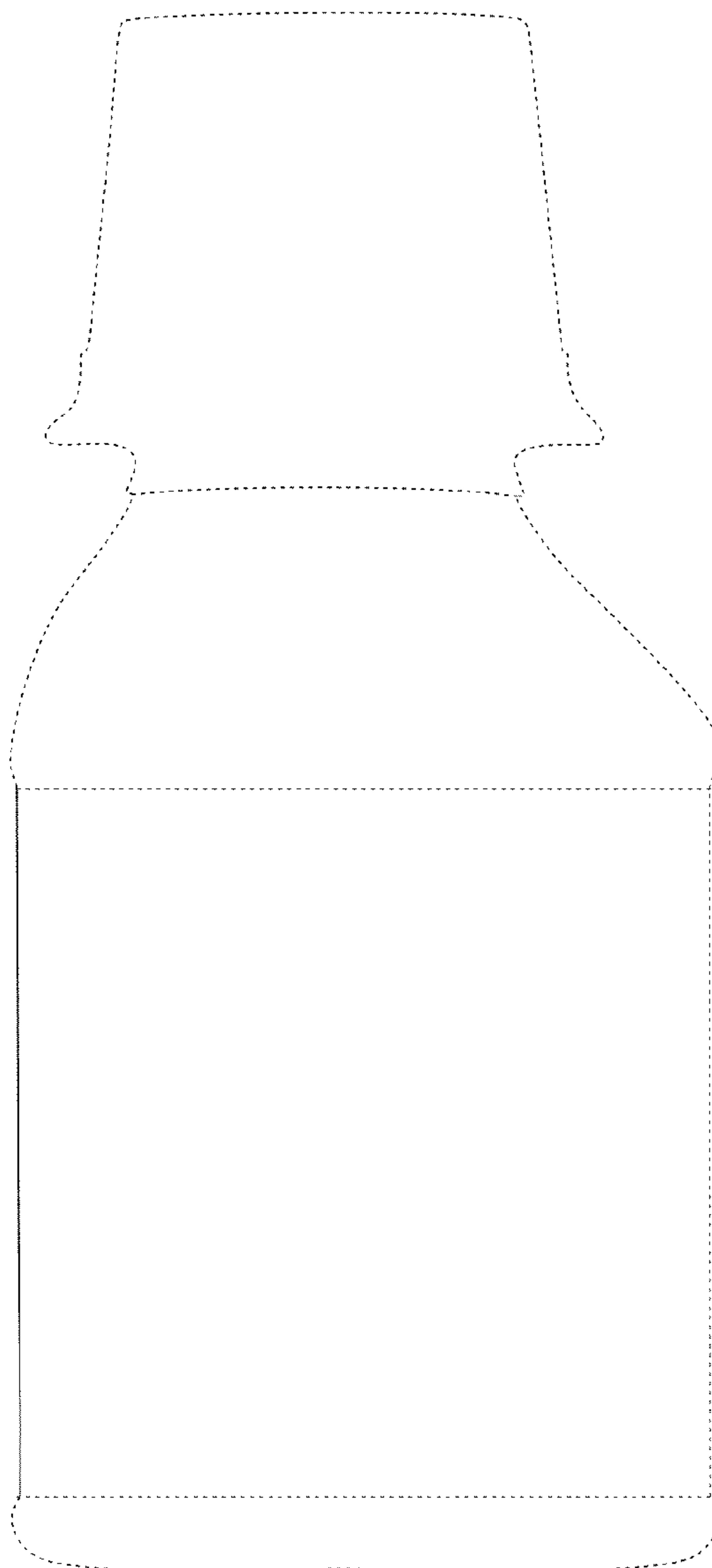


Fig. 54

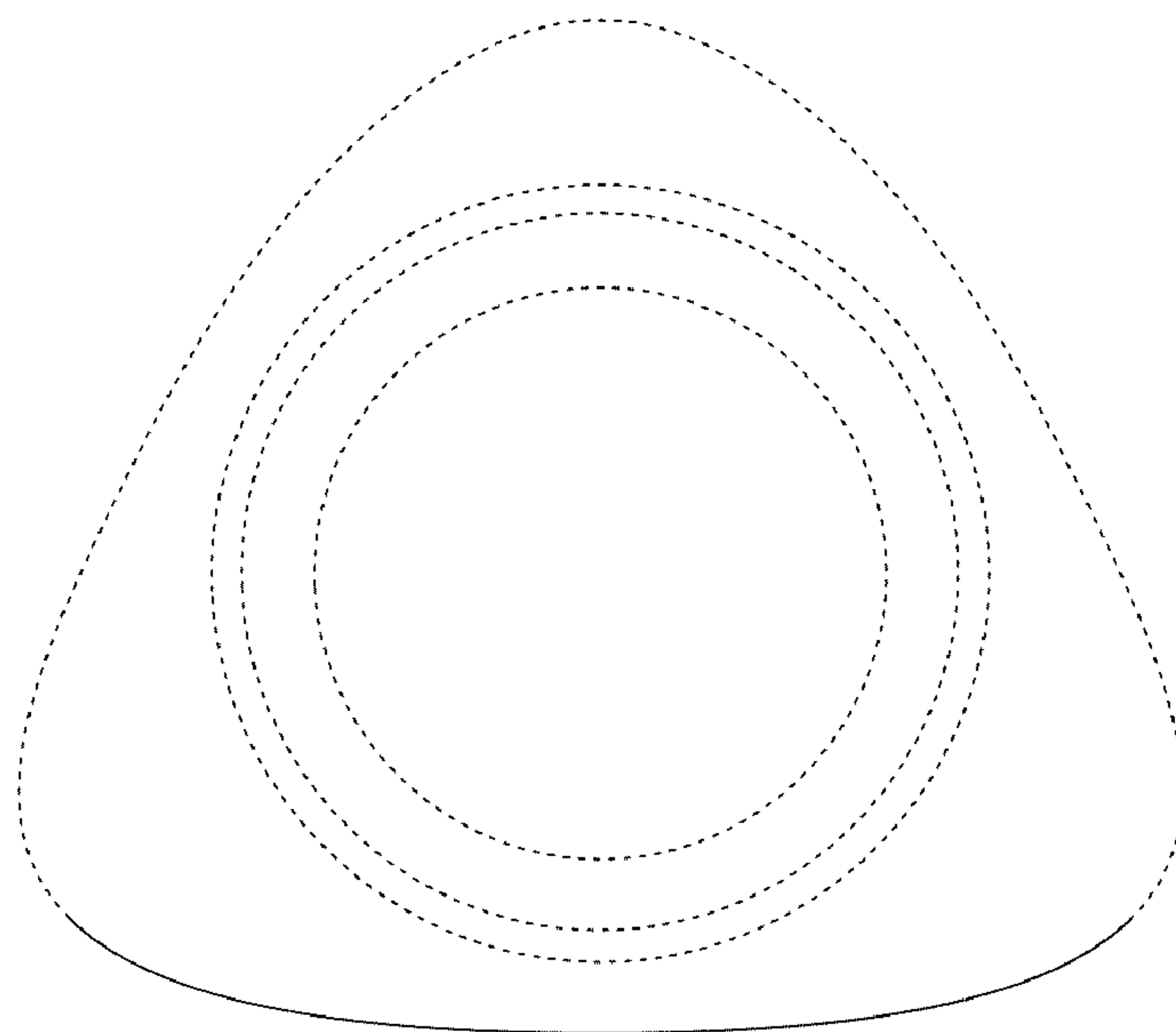


Fig. 55

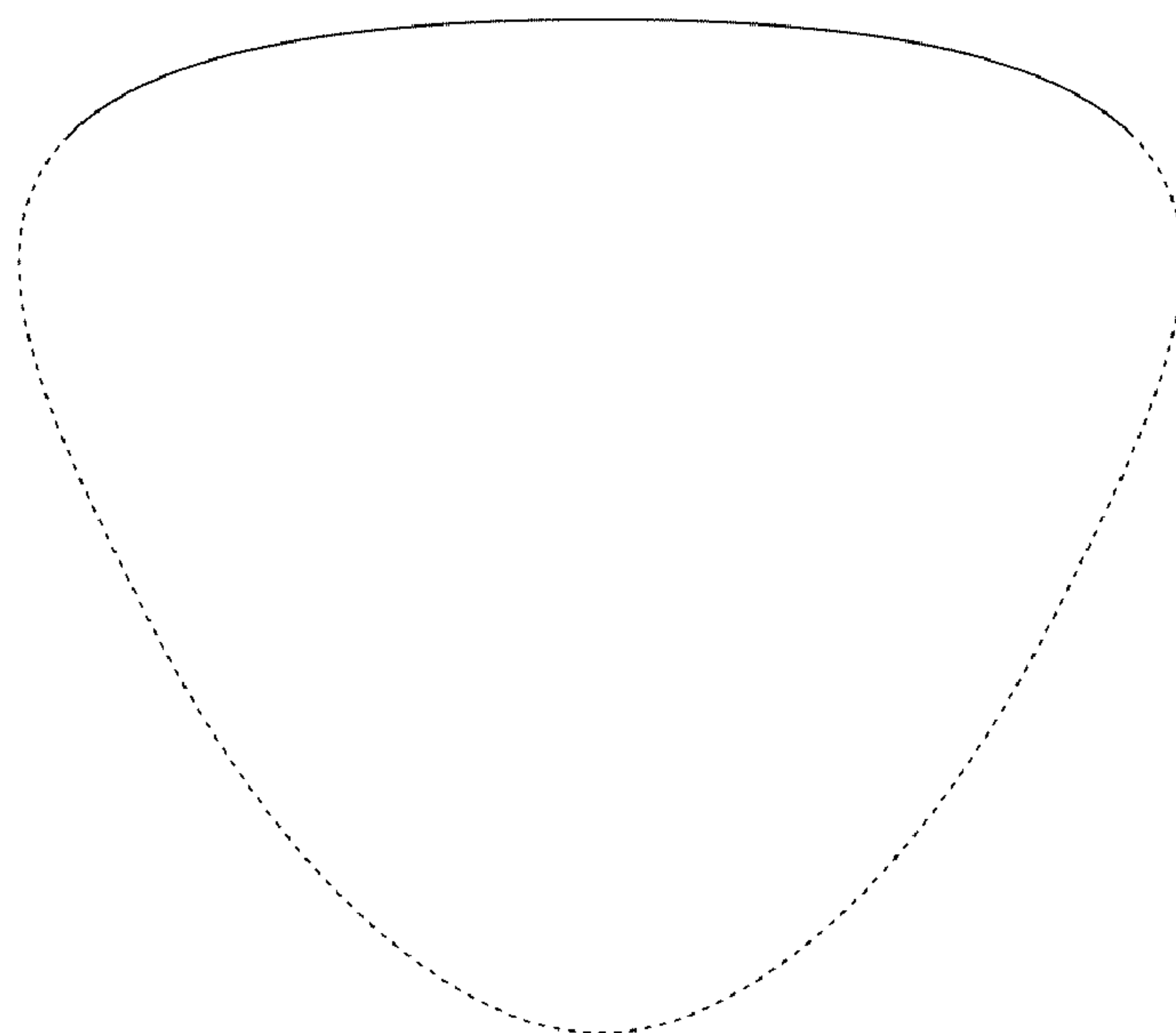


Fig. 56