



US00D639177S

(12) **United States Design Patent**  
**Pape**

(10) **Patent No.:** **US D639,177 S**

(45) **Date of Patent:** **\*\* Jun. 7, 2011**

(54) **BOTTLE AND LID**

(76) **Inventor:** **Bryan J. Pape**, Bellevue, WA (US)

(\*\*) **Term:** **14 Years**

(21) **Appl. No.:** **29/353,918**

(22) **Filed:** **Jan. 15, 2010**

(51) **LOC (9) Cl.** ..... **09-01**

(52) **U.S. Cl.** ..... **D9/550; D9/443**

(58) **Field of Classification Search** ..... D9/434-435,  
D9/439, 441, 443, 500, 502-505, 516, 549,  
D9/550, 563; D7/509-511; 215/379, 381-382;  
220/660, 662, 669-673, 675

See application file for complete search history.

(56) **References Cited**

**U.S. PATENT DOCUMENTS**

D109,331 S *	4/1938	McManus et al. ....	D9/772
D248,927 S *	8/1978	Cassia .....	D9/500
D369,977 S *	5/1996	Sexton, Jr. ....	D9/764
D403,079 S *	12/1998	Pawlak et al. ....	D24/224
D420,913 S *	2/2000	Ficalora .....	D9/439
D435,646 S *	12/2000	Shah et al. ....	D24/108
D435,647 S *	12/2000	Shah et al. ....	D24/108
D435,649 S *	12/2000	Shah et al. ....	D24/108
D446,726 S *	8/2001	Hall et al. ....	D9/522
D475,630 S *	6/2003	Canino .....	D9/500
D503,343 S *	3/2005	Canino .....	D9/549

D507,490 S *	7/2005	Mero et al. ....	D9/550
D589,806 S *	4/2009	Snyder .....	D9/523
D605,040 S *	12/2009	Fry et al. ....	D9/500
D627,227 S *	11/2010	Andis .....	D9/503
D632,571 S *	2/2011	Blythe .....	D9/443

\* cited by examiner

*Primary Examiner* — Ian Simmons

*Assistant Examiner* — Dana L Sipos

(74) *Attorney, Agent, or Firm* — QuickPatents, Inc.; Kevin Prince

(57) **CLAIM**

What is claimed is the ornamental design for a bottle and lid therefore, as shown and described.

**DESCRIPTION**

FIG. 1 is a top, front, right side perspective view of a bottle and lid showing our new design;

FIG. 2 is an exploded top, front right side perspective view thereof;

FIG. 3 is an exploded front elevation view thereof;

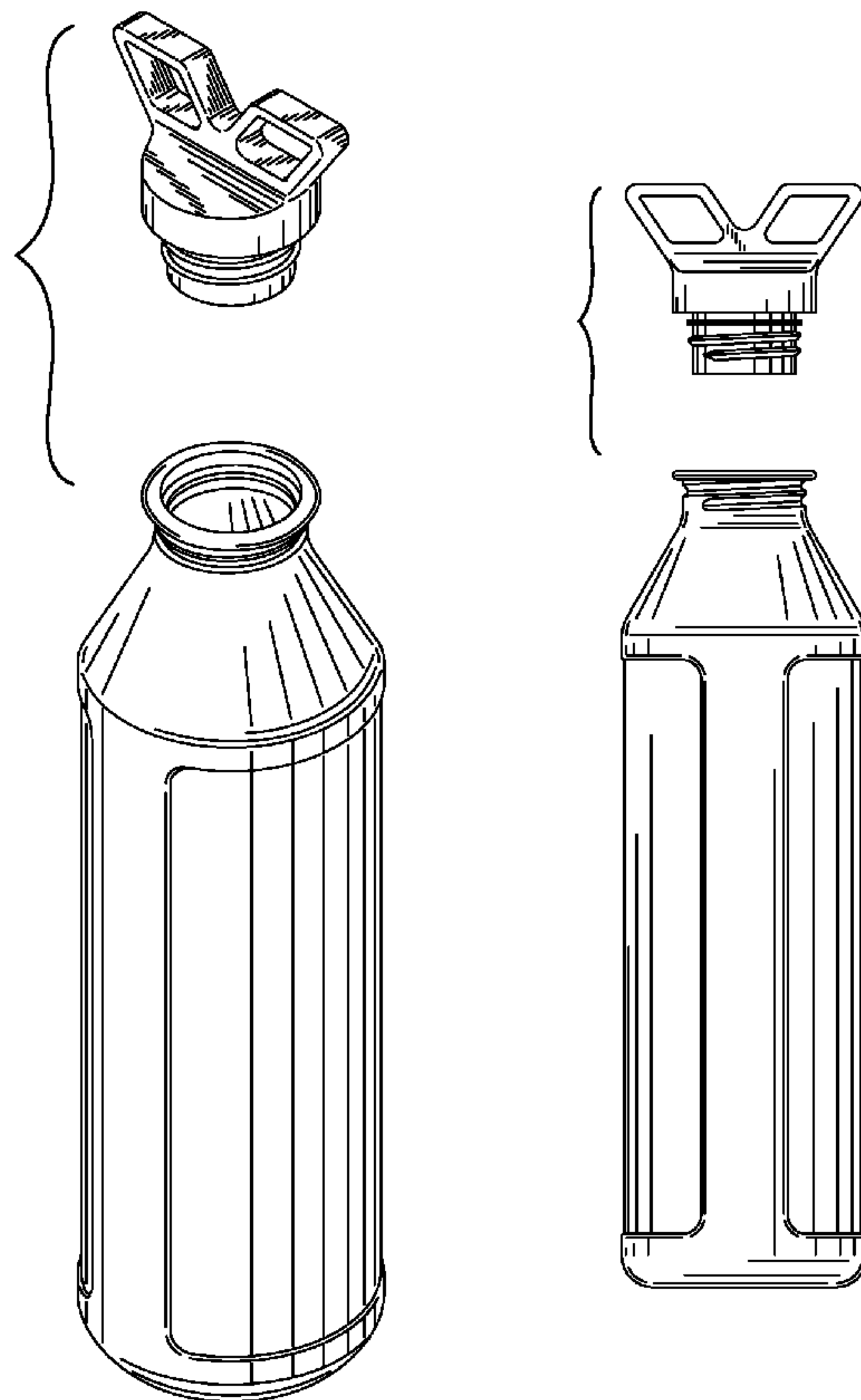
FIG. 4 is an exploded rear elevation view thereof;

FIG. 5 is an exploded right side elevation view thereof, the left side elevation view being a mirror image;

FIG. 6 is a top plan view thereof; and,

FIG. 7 is a bottom plan view thereof.

**1 Claim, 2 Drawing Sheets**



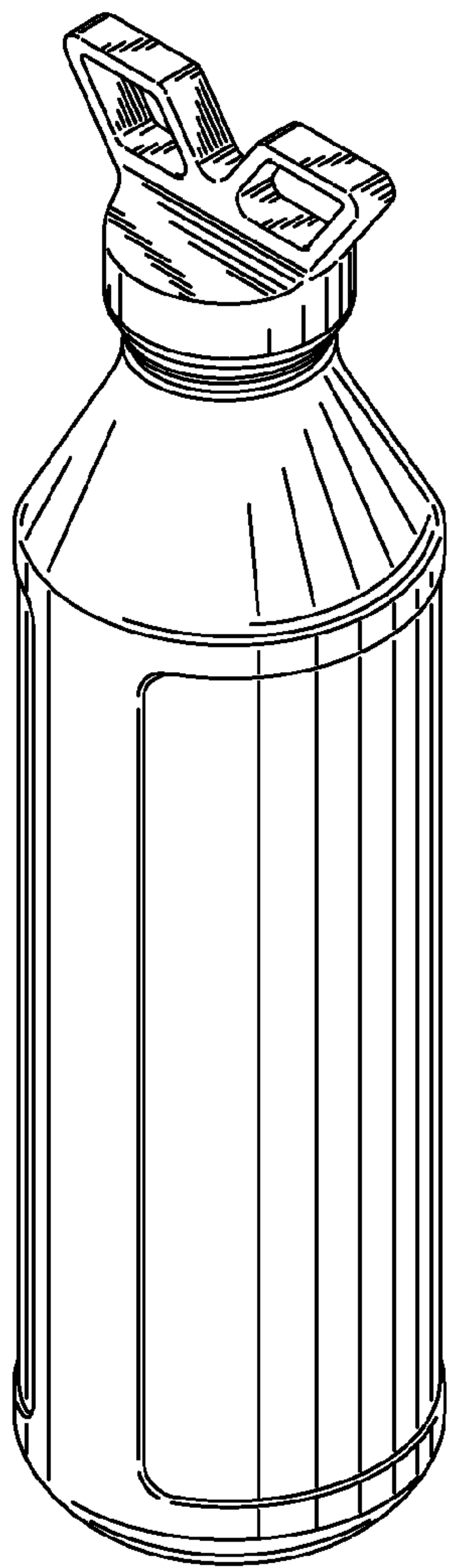


FIG. 1

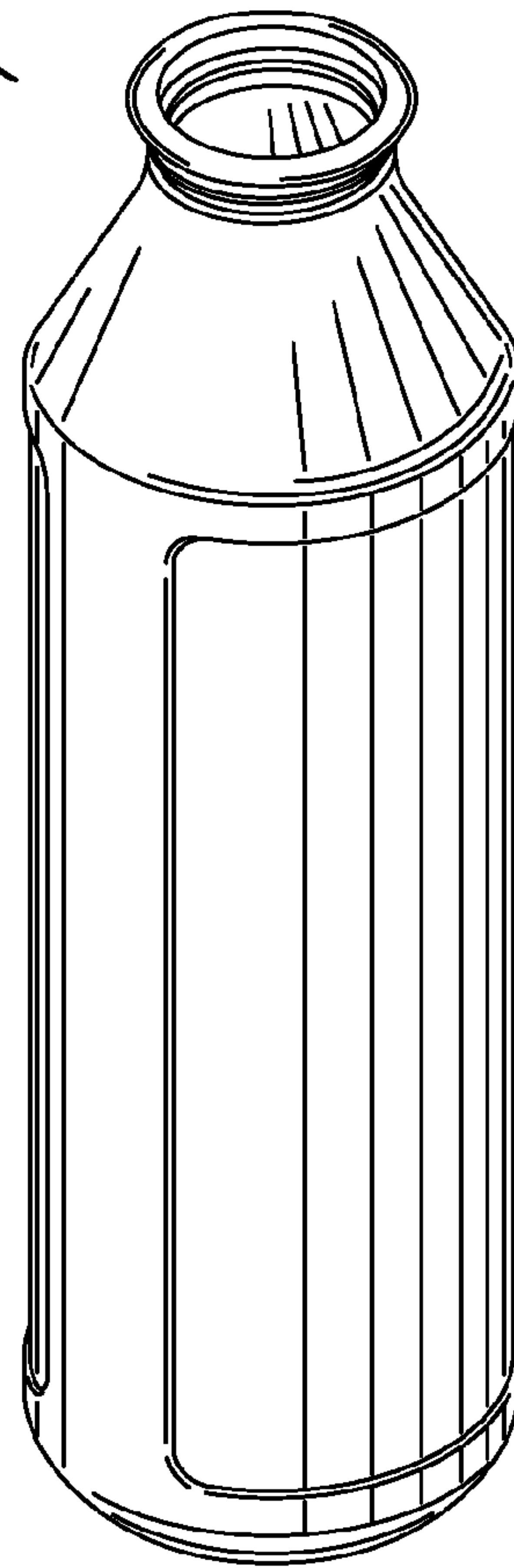
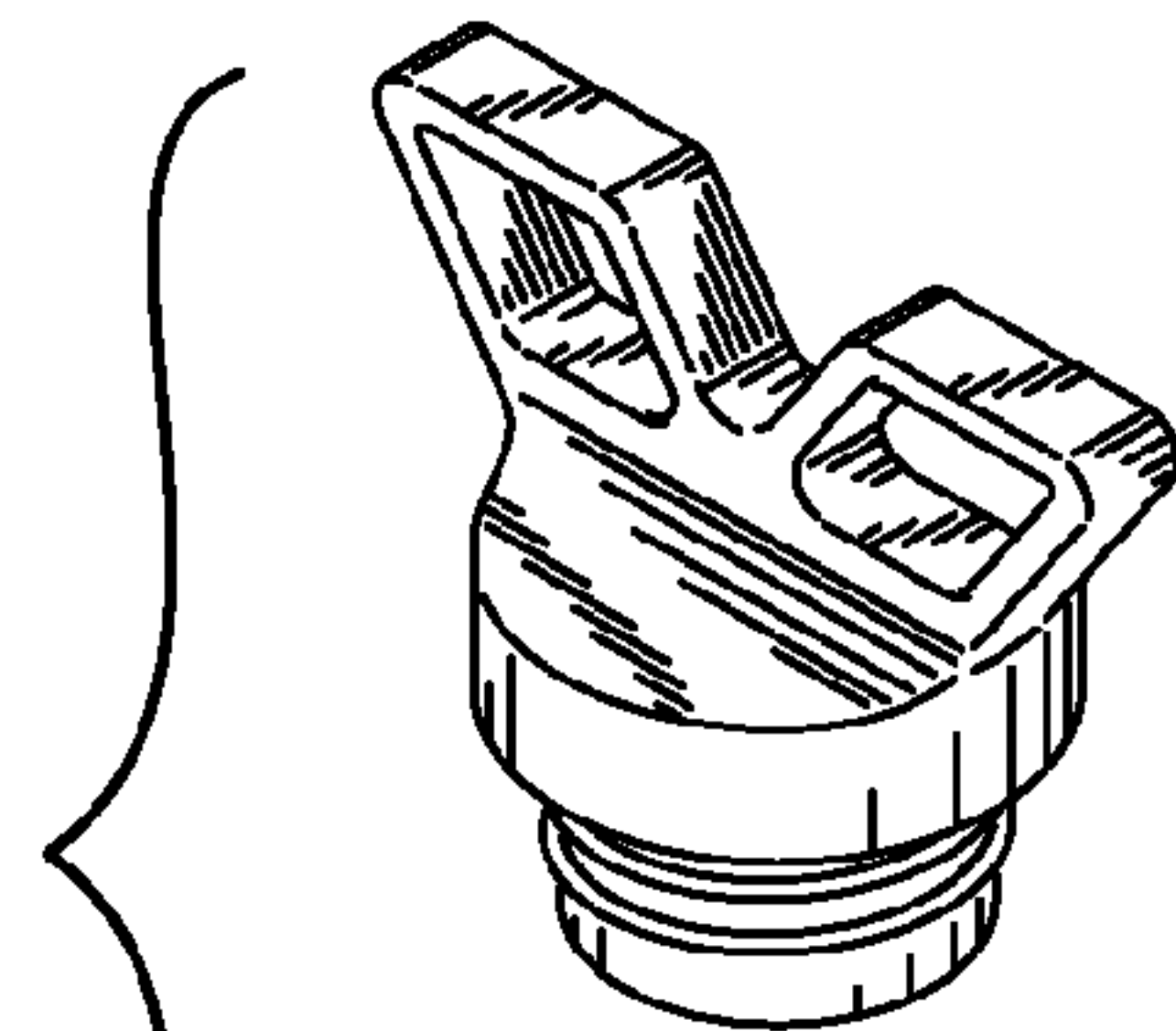


FIG. 2

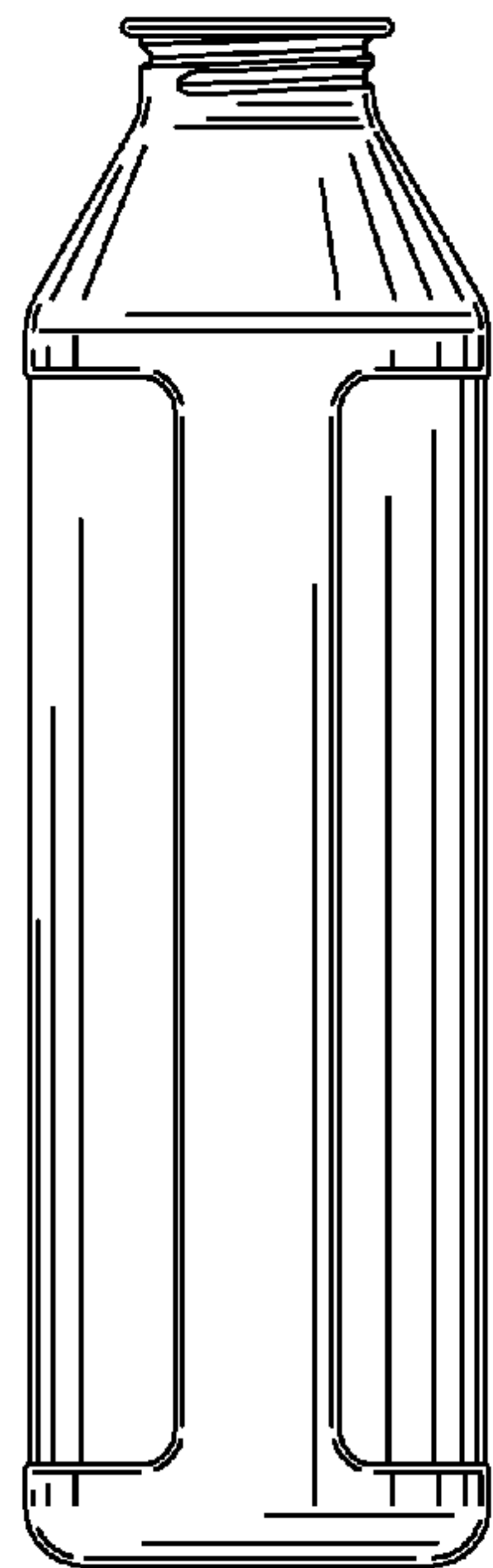
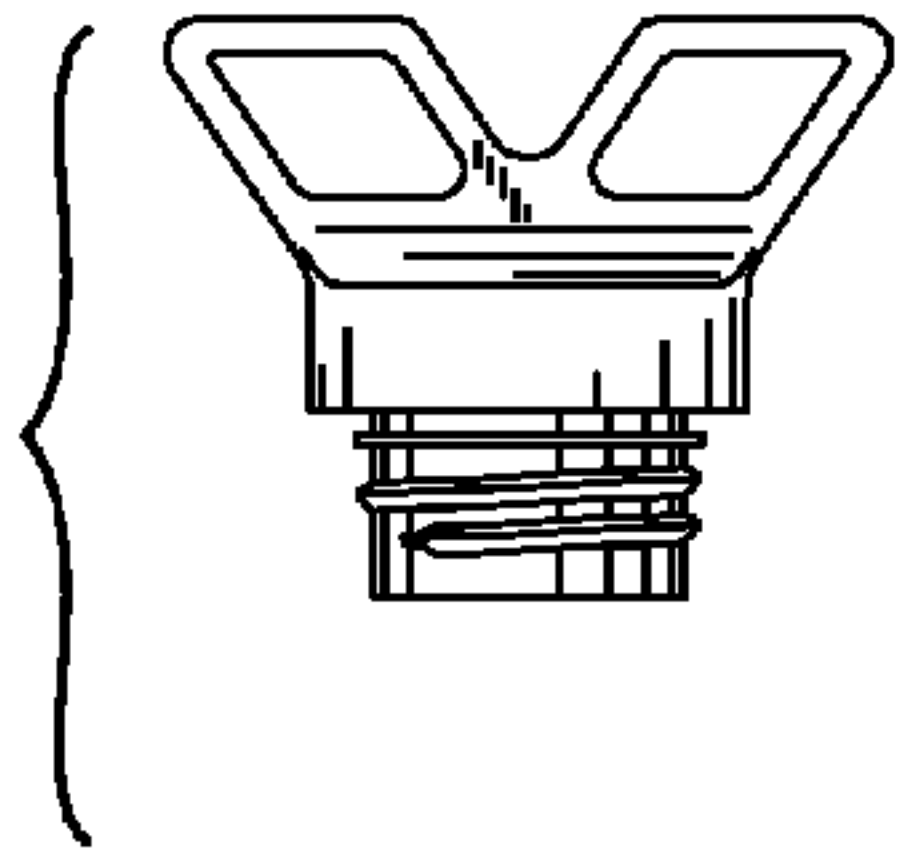


FIG. 3

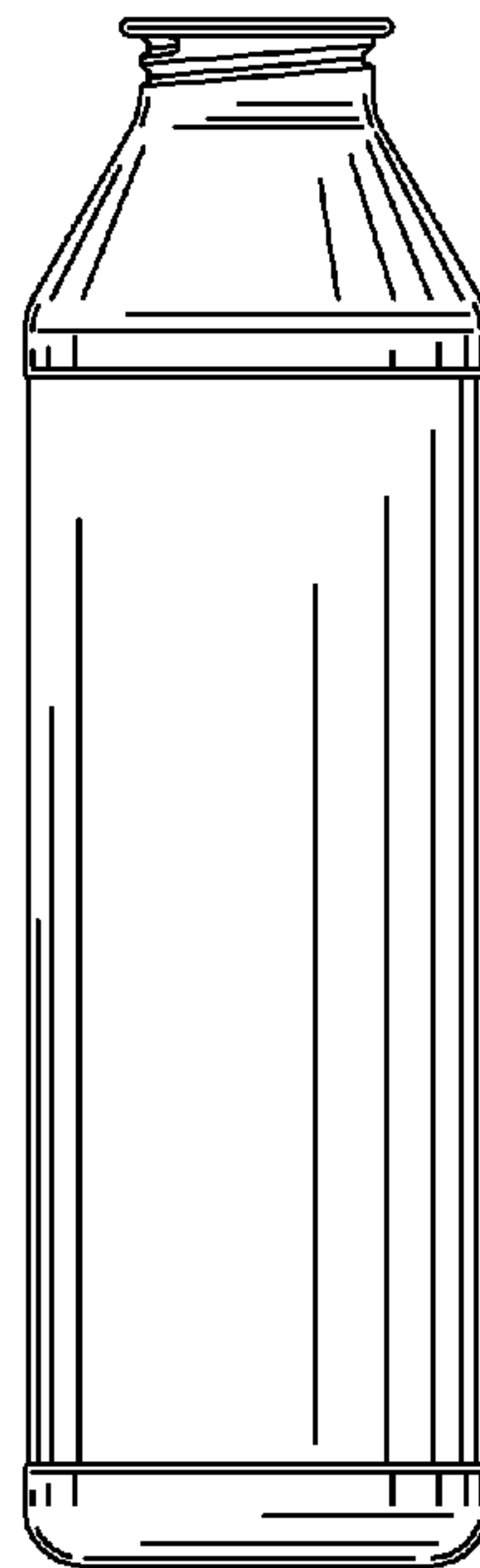
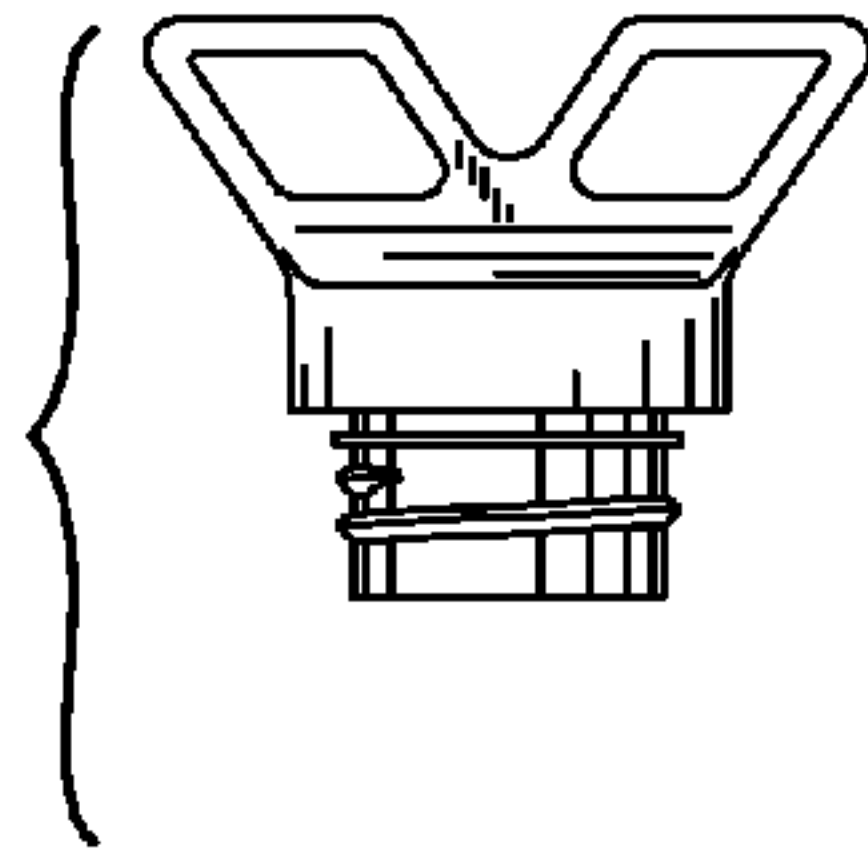


FIG. 4

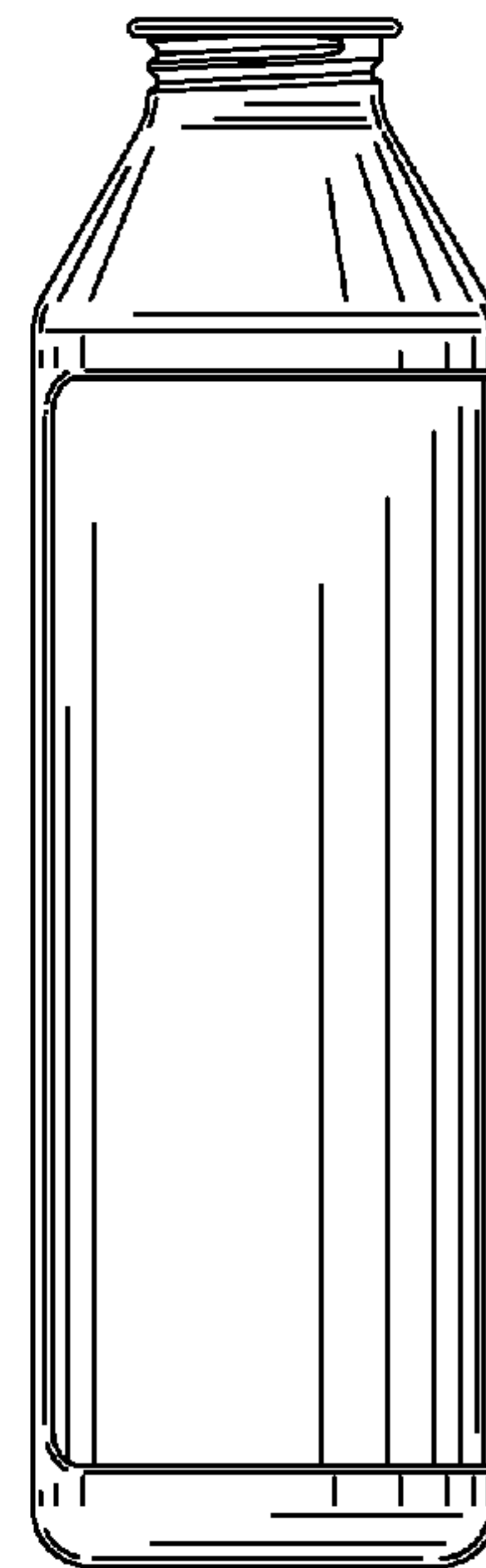
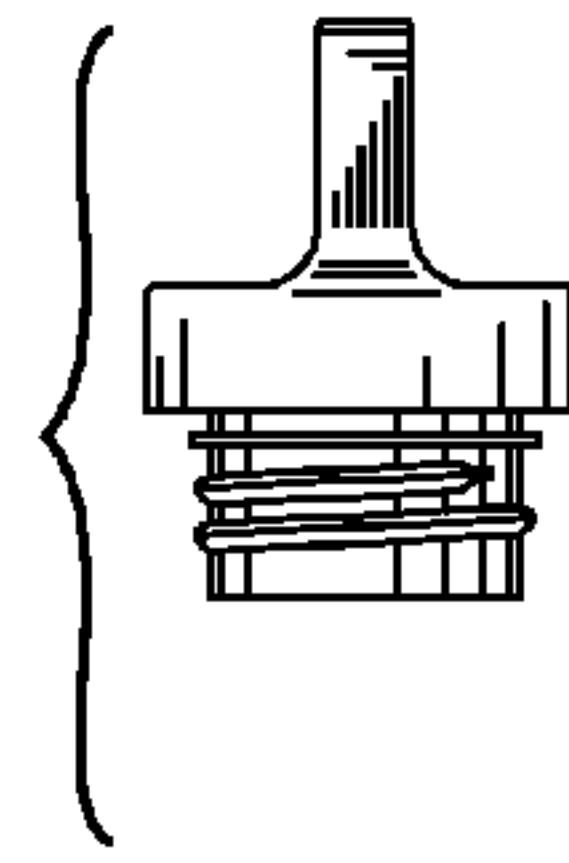


FIG. 5

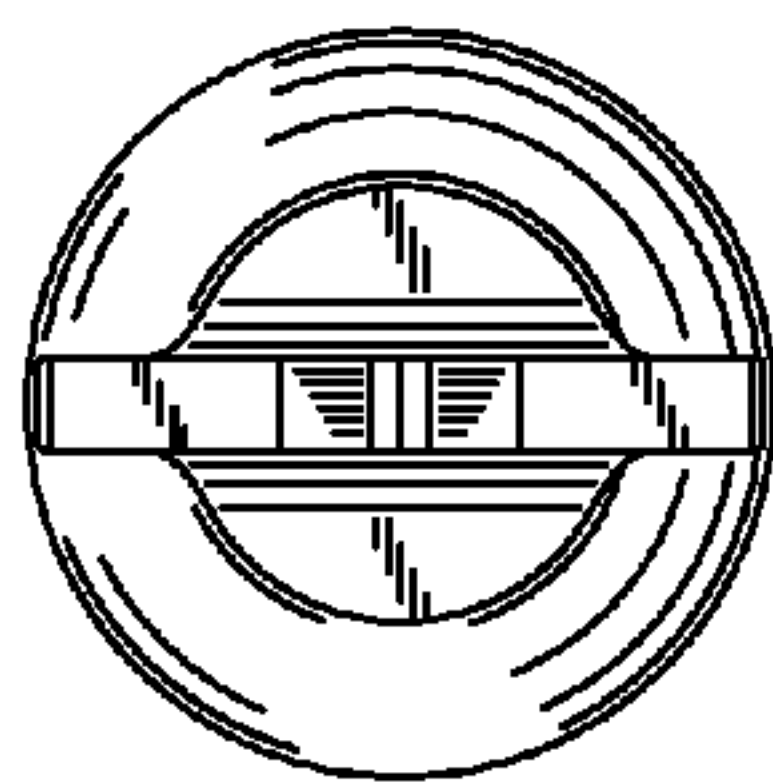


FIG. 6

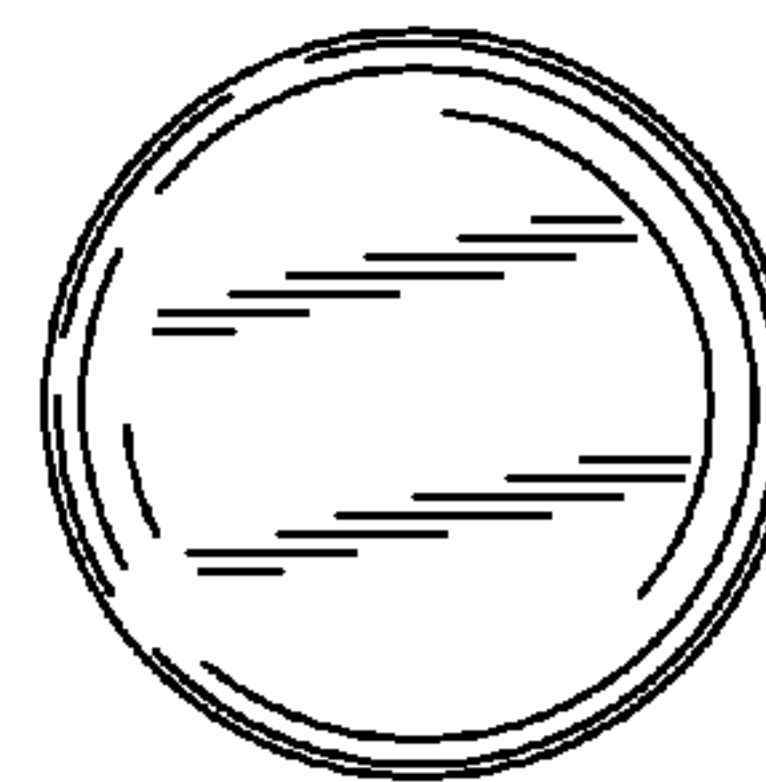


FIG. 7