



US00D639162S

(12) **United States Design Patent**  
**Gelardi et al.**

(10) **Patent No.:** **US D639,162 S**  
(45) **Date of Patent:** **\*\* Jun. 7, 2011**

(54) **TRAY ASSEMBLY FOR A DISPENSING CONTAINER**

(75) Inventors: **John A. Gelardi**, Wake Forest, NC (US);  
**Ryan A. Bailey**, Raleigh, NC (US)

(73) Assignee: **R.J. Reynolds Tobacco Company**,  
Winston-Salem, NC (US)

(\*\*) Term: **14 Years**

(21) Appl. No.: **29/380,898**

(22) Filed: **Dec. 13, 2010**

4,572,376 A	2/1986	Wrennall	
4,611,727 A	9/1986	Graff	
4,705,165 A	11/1987	Thieke	
D307,555 S *	5/1990	Haenni et al. ....	D9/447
5,108,006 A	4/1992	Tieke et al.	
5,174,471 A	12/1992	Kozlowski et al.	
5,275,291 A	1/1994	Sledge	
5,657,901 A	8/1997	Farside	
5,729,955 A *	3/1998	Yamada .....	53/412
D393,591 S *	4/1998	Baryshyan .....	D9/756
5,782,359 A	7/1998	McAllister et al.	
5,816,441 A	10/1998	Farside	
5,897,025 A	4/1999	Flewitt et al.	
5,909,822 A	6/1999	George et al.	
5,915,560 A	6/1999	George et al.	

(Continued)

**Related U.S. Application Data**

(62) Division of application No. 29/356,298, filed on Feb. 23, 2010, now Pat. No. Des. 631,747.

(51) **LOC (9) Cl.** ..... **09-07**

(52) **U.S. Cl.** ..... **D9/456; D9/455**

(58) **Field of Classification Search** ..... D9/761,  
D9/759, 756, 708, 709, 702, 456, 455, 454,  
D9/453, 445, 443, 436, 435, 434, 439; 53/412;  
248/146; 229/120; 222/109; 220/4.23; 219/439;  
215/305; 206/529, 427; D3/304, 295  
See application file for complete search history.

**FOREIGN PATENT DOCUMENTS**

CH 180218 A 10/1935

(Continued)

*Primary Examiner* — Susan Bennett Hattan

(74) *Attorney, Agent, or Firm* — Womble Carlyle Sandridge & Rice PLLC

(57) **CLAIM**

The ornamental design for a tray assembly for a dispensing container, as shown and described.

(56) **References Cited**

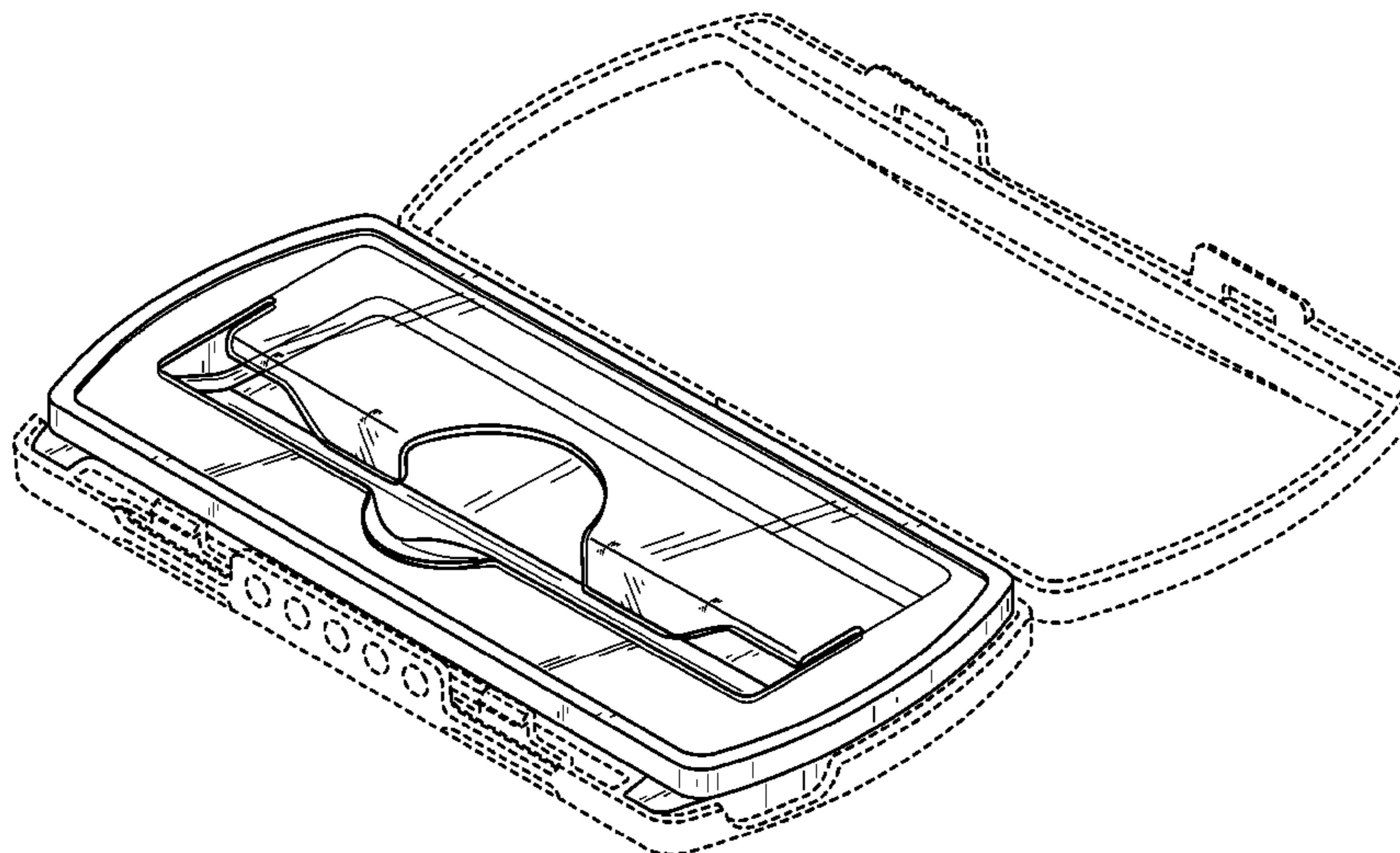
**U.S. PATENT DOCUMENTS**

194,197 A	8/1877	Villaret	
2,090,530 A	8/1937	Guffy et al.	
D134,249 S *	11/1942	Button .....	D9/761
3,696,917 A	10/1972	Levi	
3,782,584 A	1/1974	Swenson et al.	
3,895,737 A	7/1975	Phillips	
536,923 A	3/1976	Mayled	
4,057,145 A	11/1977	Wray et al.	
4,154,365 A	5/1979	Lorca	
4,284,204 A	8/1981	Carey, Jr.	
4,437,579 A	3/1984	Obland	
4,561,544 A	12/1985	Reeve	

**DESCRIPTION**

FIG. 1 is a top front perspective view of a tray assembly for a dispensing container, the tray assembly having a non-opaque cover portion;  
FIG. 2 is a top rear perspective view thereof;  
FIG. 3 is a top plan view thereof;  
FIG. 4 is an exploded front view thereof; and,  
FIG. 5 is an exploded rear view thereof.  
The broken lines shown herein depict environmental subject matter only and form no part of the claimed design.

**1 Claim, 5 Drawing Sheets**



# US D639,162 S

Page 2

## U.S. PATENT DOCUMENTS

6,131,765 A 10/2000 Barry et al.  
6,155,454 A 12/2000 George et al.  
D444,058 S \* 6/2001 Hampshire et al. .... D9/761  
6,267,265 B1 7/2001 Issa  
6,460,693 B1 10/2002 Harrold  
6,527,138 B2 3/2003 Pawlo et al.  
6,758,338 B2 7/2004 Lien  
D495,545 S \* 9/2004 Niehues ..... D6/518  
6,863,175 B2 3/2005 Gelardi  
6,913,149 B2 7/2005 Gelardi et al.  
6,976,576 B2 12/2005 Intini  
D531,499 S \* 11/2006 Zaidman ..... D9/434  
7,159,720 B2 1/2007 Pearson  
7,216,776 B2 5/2007 Gelardi  
7,288,745 B2 \* 10/2007 Colonna ..... 219/439  
7,353,969 B2 4/2008 McHutchinson  
D572,588 S \* 7/2008 Osborn et al. .... D9/456  
D589,798 S \* 4/2009 Liipola ..... D9/456  
7,565,969 B2 7/2009 He  
7,588,149 B2 9/2009 Gelardi  
D608,593 S \* 1/2010 Follansbee et al. .... D7/553.5  
7,712,630 B2 5/2010 He  
2002/0096517 A1 \* 7/2002 Gelardi ..... 220/4.23  
2002/0175195 A1 11/2002 Cole  
2004/0217024 A1 11/2004 Arnarp et al.  
2005/0173272 A1 8/2005 Lemmons, IV  
2006/0060480 A1 3/2006 Budd

2006/0118589 A1 6/2006 Arnarp et al.  
2006/0124658 A1 6/2006 Coe et al.  
2006/0243611 A1 11/2006 Wu  
2007/0068960 A1 3/2007 Valentine et al.  
2007/0163911 A1 7/2007 Gelardi  
2007/0277299 A1 12/2007 Kroon  
2008/0029110 A1 2/2008 Dube et al.  
2008/0029116 A1 2/2008 Robinson et al.  
2008/0035643 A1 2/2008 Hoffman  
2009/0223989 A1 9/2009 Gelardi  
2009/0266837 A1 10/2009 Gelardi et al.  
2010/0133140 A1 6/2010 Bailey et al.  
2010/0264157 A1 10/2010 Bailey et al.

## FOREIGN PATENT DOCUMENTS

GB 686 870 2/1953  
GB 2 042 476 9/1980  
WO WO 99/48391 A 9/1999  
WO WO 2004/035404 A1 4/2004  
WO WO 2005/016036 A1 2/2005  
WO WO 2005/030606 A1 4/2005  
WO WO 2005/035390 A1 4/2005  
WO WO 2007/017761 A2 2/2007  
WO WO 2007/067953 A2 6/2007  
WO WO 2007/070867 A2 6/2007  
WO WO 2008/070032 A2 6/2008

\* cited by examiner

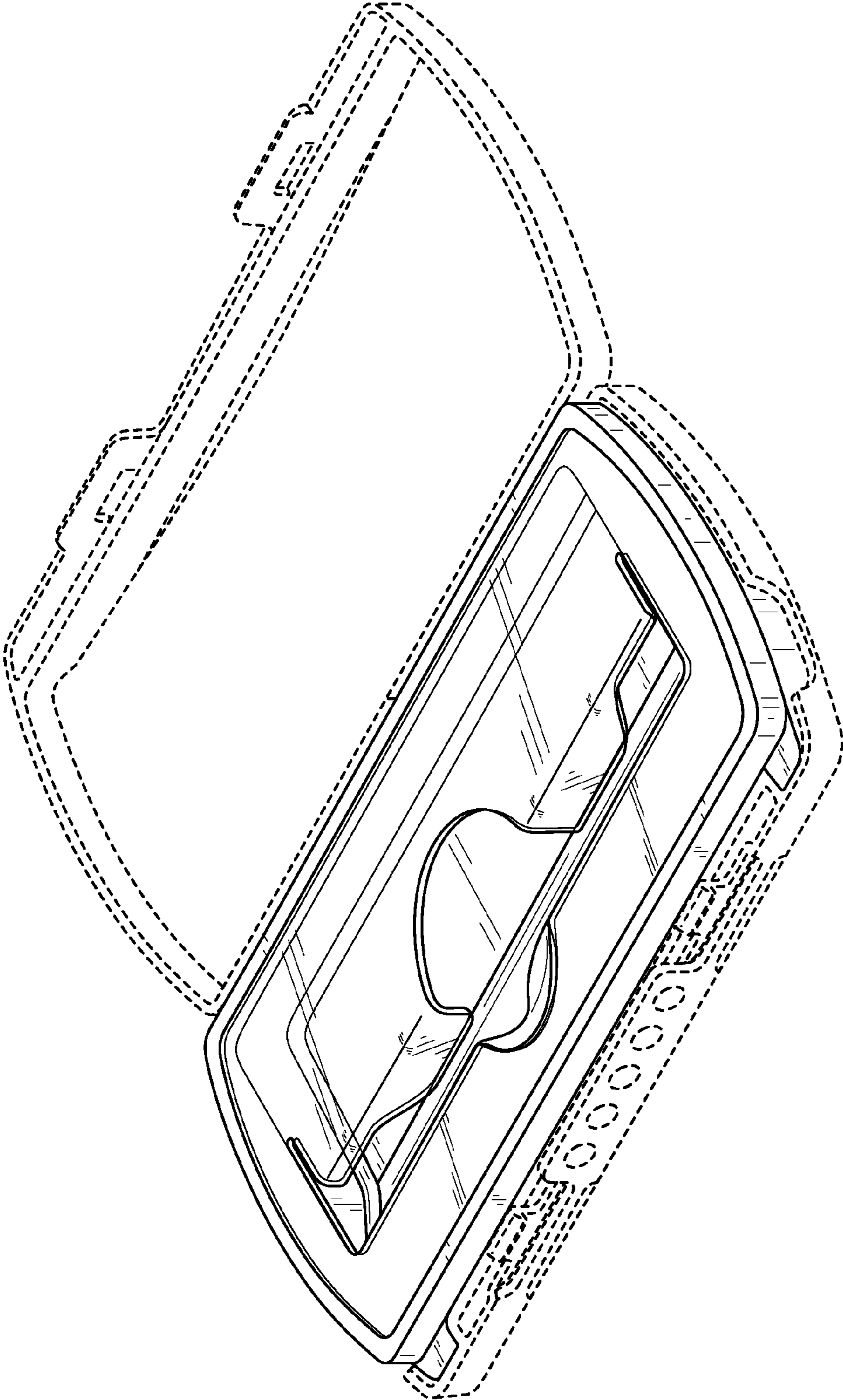


Fig. 1

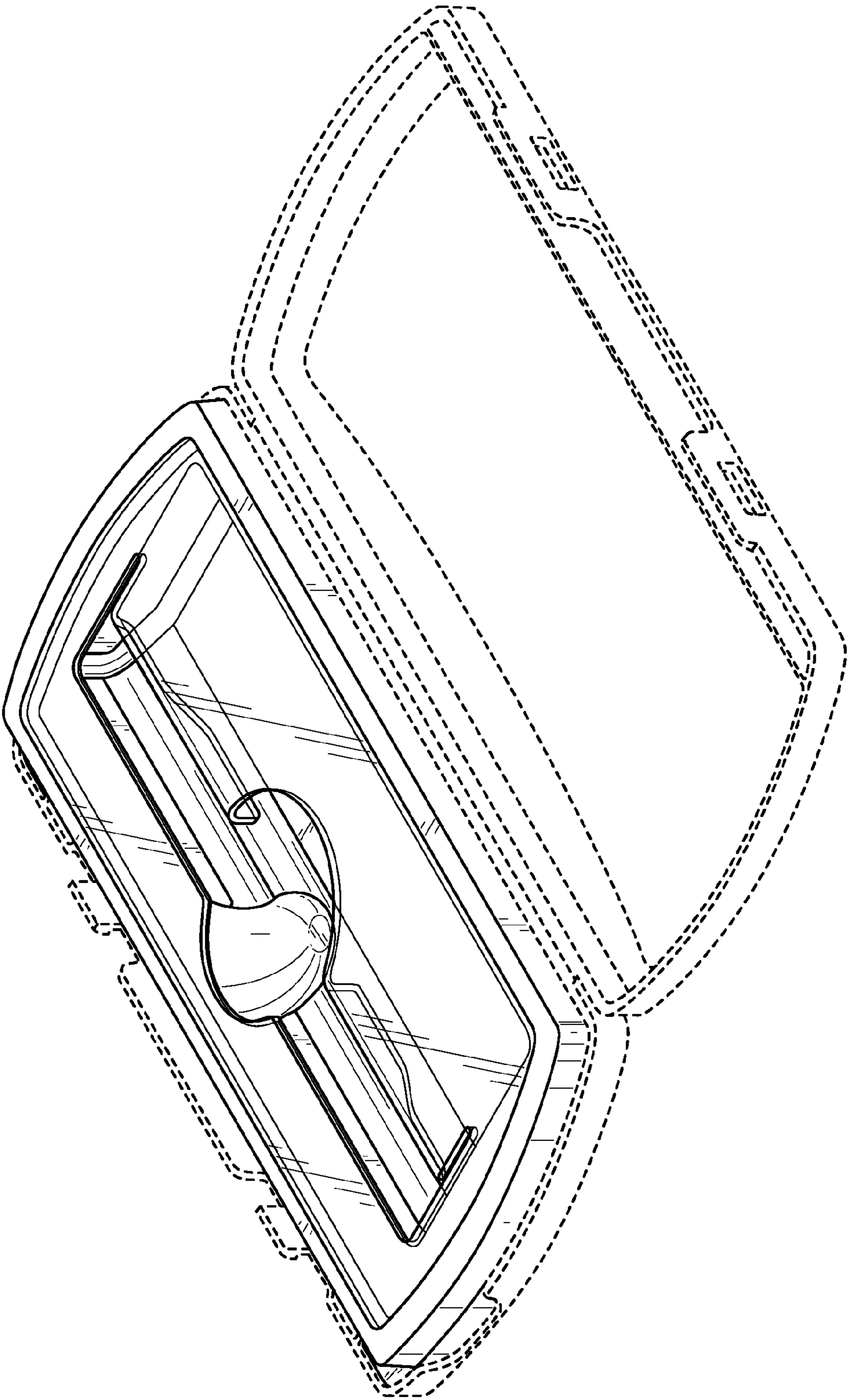


Fig. 2

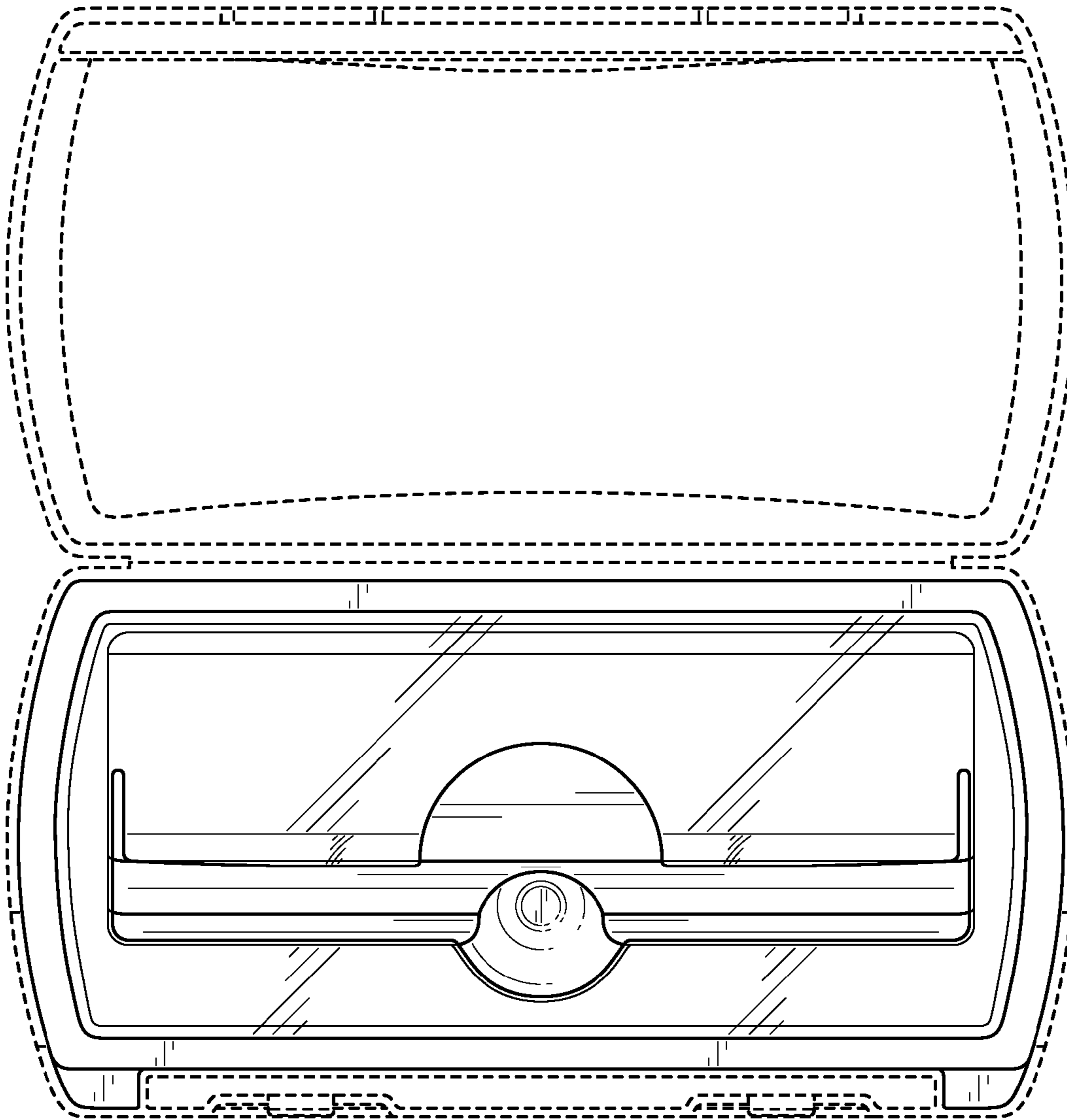


Fig. 3

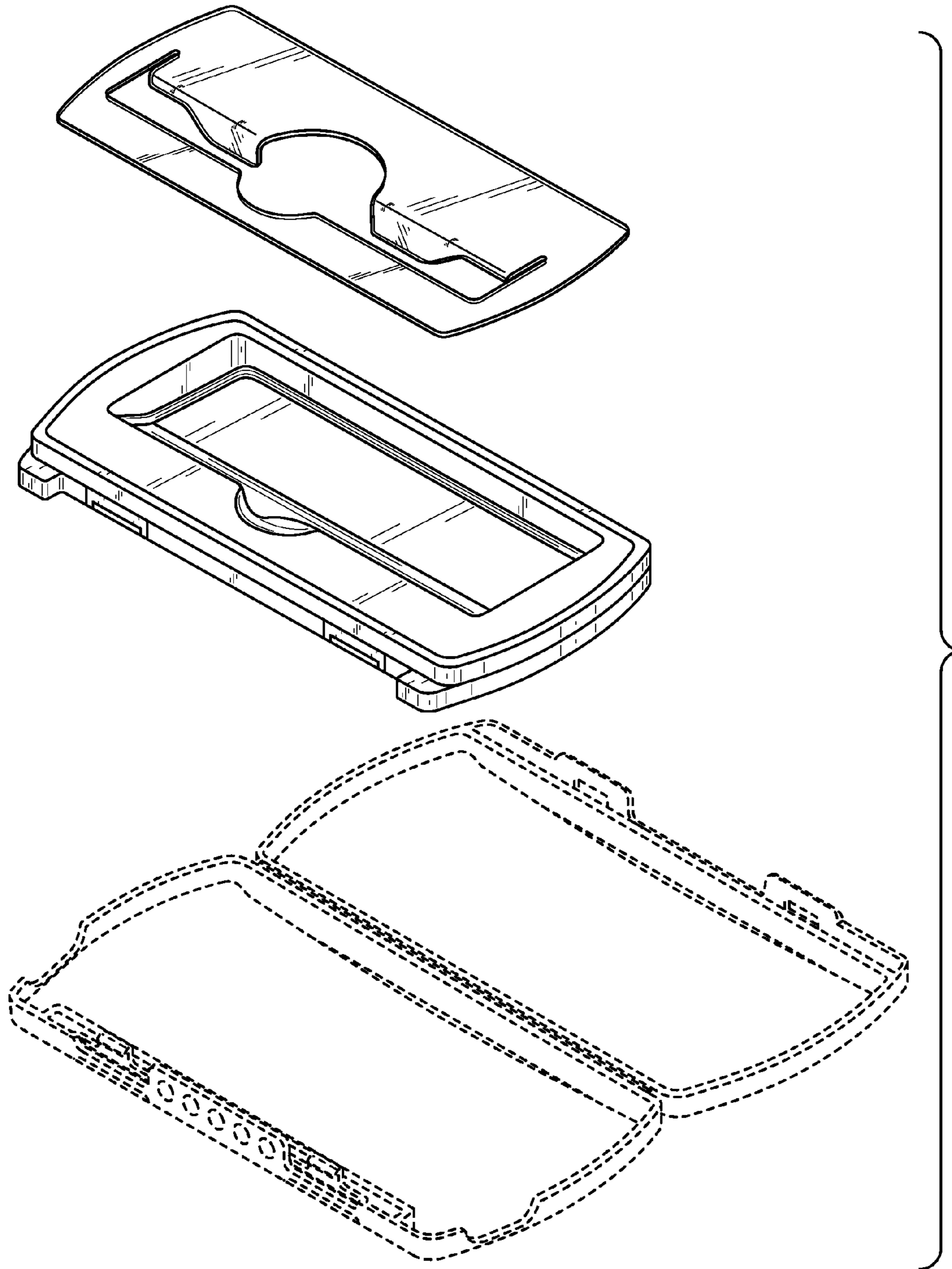


Fig. 4

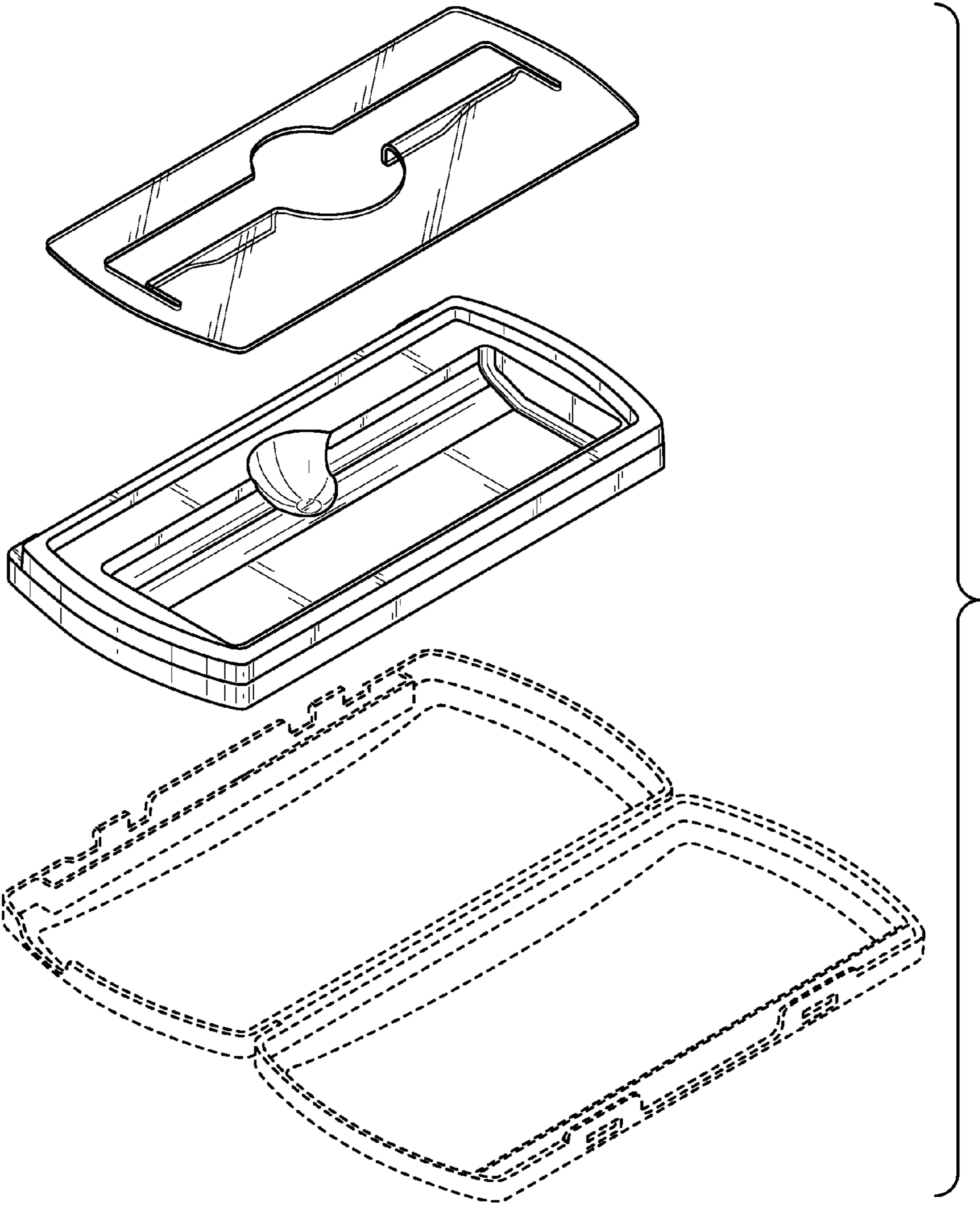


Fig. 5