



US00D639161S

(12) **United States Design Patent**
Webster

(10) **Patent No.:** **US D639,161 S**

(45) **Date of Patent:** **** Jun. 7, 2011**

(54) **CONTAINER CLOSURE**

(75) Inventor: **Charles Webster**, South Elgin, IL (US)

(73) Assignee: **Hoffer Plastics Corporation**, South Elgin, IL (US)

(**) Term: **14 Years**

(21) Appl. No.: **29/349,725**

(22) Filed: **Apr. 27, 2010**

(51) **LOC (9) Cl.** **09-07**

(52) **U.S. Cl.** **D9/452; D9/454; D9/453**

(58) **Field of Classification Search** D9/651,
D9/453, 452, 450, 449, 446, 443, 435; 222/83;
220/277; 215/252, 216, 206, 222, 219
See application file for complete search history.

(56) **References Cited**

U.S. PATENT DOCUMENTS

D356,871 S *	3/1995	Dunn	D24/197
D389,061 S *	1/1998	Ebrahim et al.	D9/452
D408,284 S	4/1999	Ekkert et al.		
5,950,849 A	9/1999	Ekkert et al.		
D415,684 S *	10/1999	Reidenbach	D9/453

D442,089 S *	5/2001	Sadeghi et al.	D9/452
D487,700 S *	3/2004	Bourque et al.	D9/453
D530,612 S	10/2006	Lohrman et al.		
D542,656 S *	5/2007	Szczesniak	D9/453
D544,348 S *	6/2007	Szczesniak	D9/453
D573,031 S *	7/2008	Hestehave	D9/541
D577,593 S *	9/2008	Hestehave	D9/541
D587,580 S	3/2009	Kane et al.		

* cited by examiner

Primary Examiner — Susan Bennett Hattan

(74) *Attorney, Agent, or Firm* — Knechtel, Demeur & Samlan

(57) **CLAIM**

I claim the ornamental design for a container closure, as shown and described.

DESCRIPTION

FIG. 1 is an upper perspective view of a container closure showing the new design;

FIG. 2 is front elevational view thereof, with the rear, left and right views being identical;

FIG. 3 is a top plan view thereof; and,

FIG. 4 is a bottom plan view thereof.

1 Claim, 3 Drawing Sheets

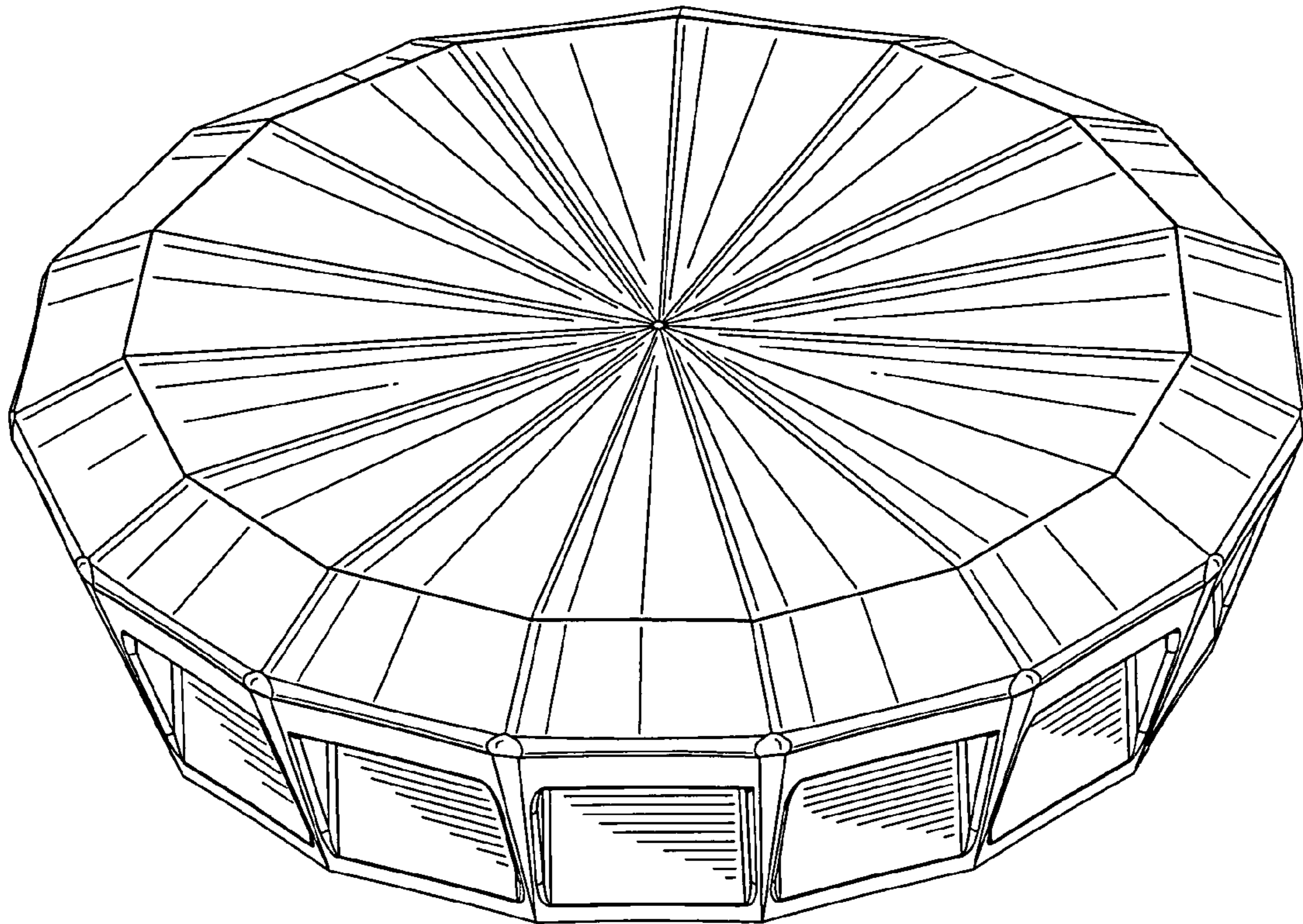


Fig. 1

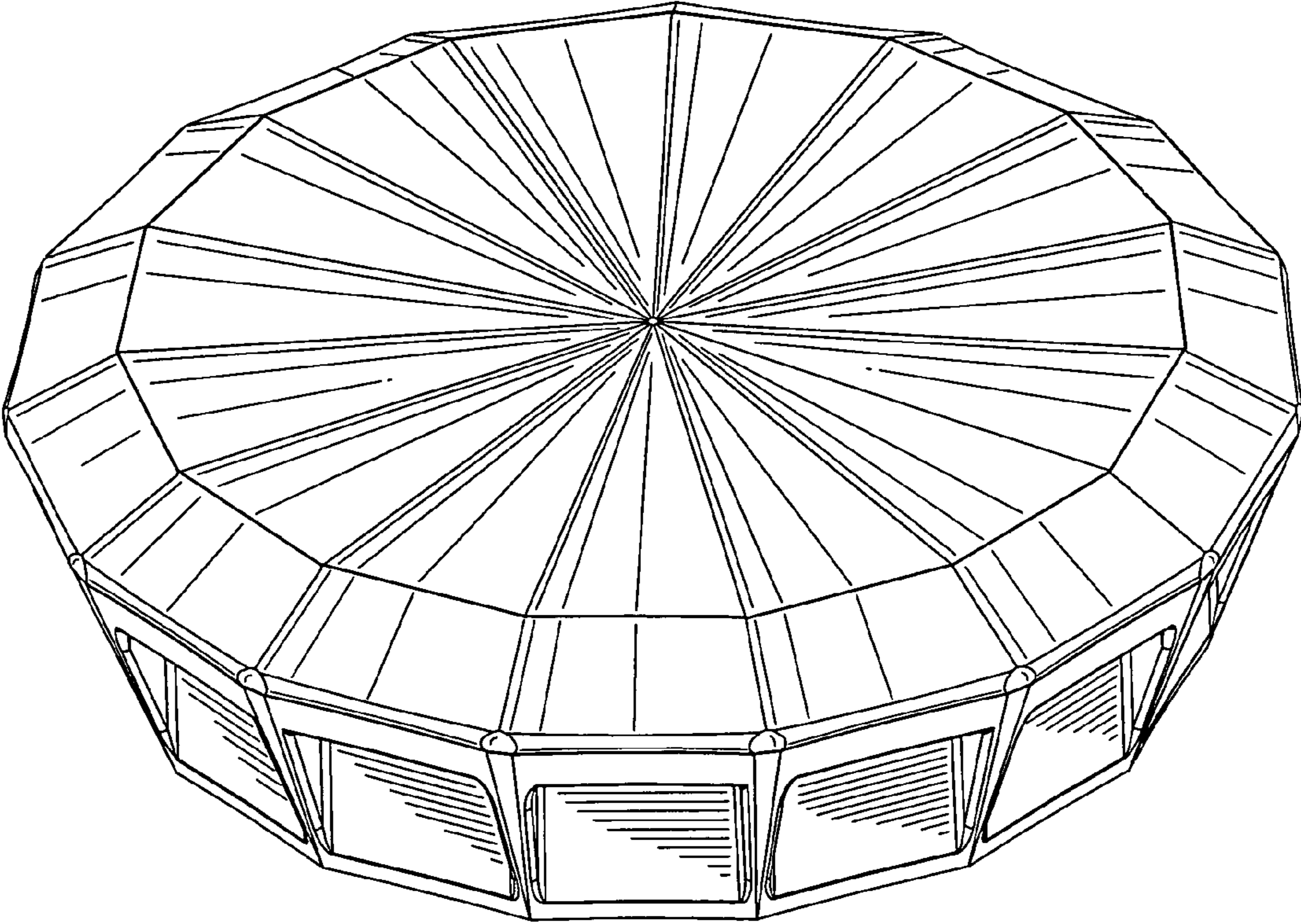


Fig. 2

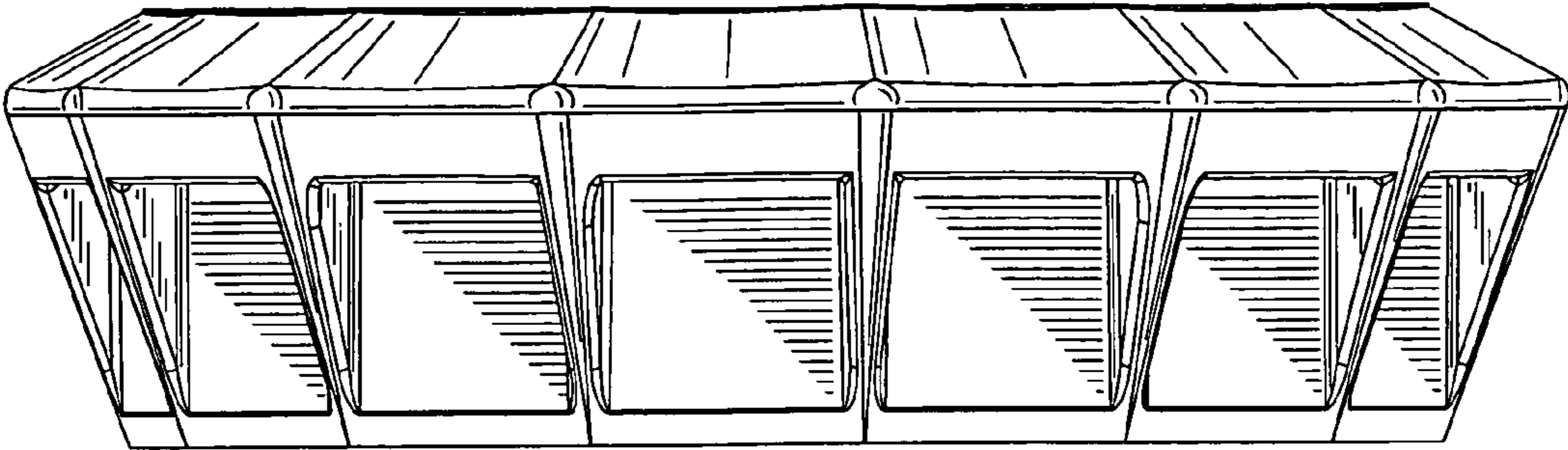


Fig. 3

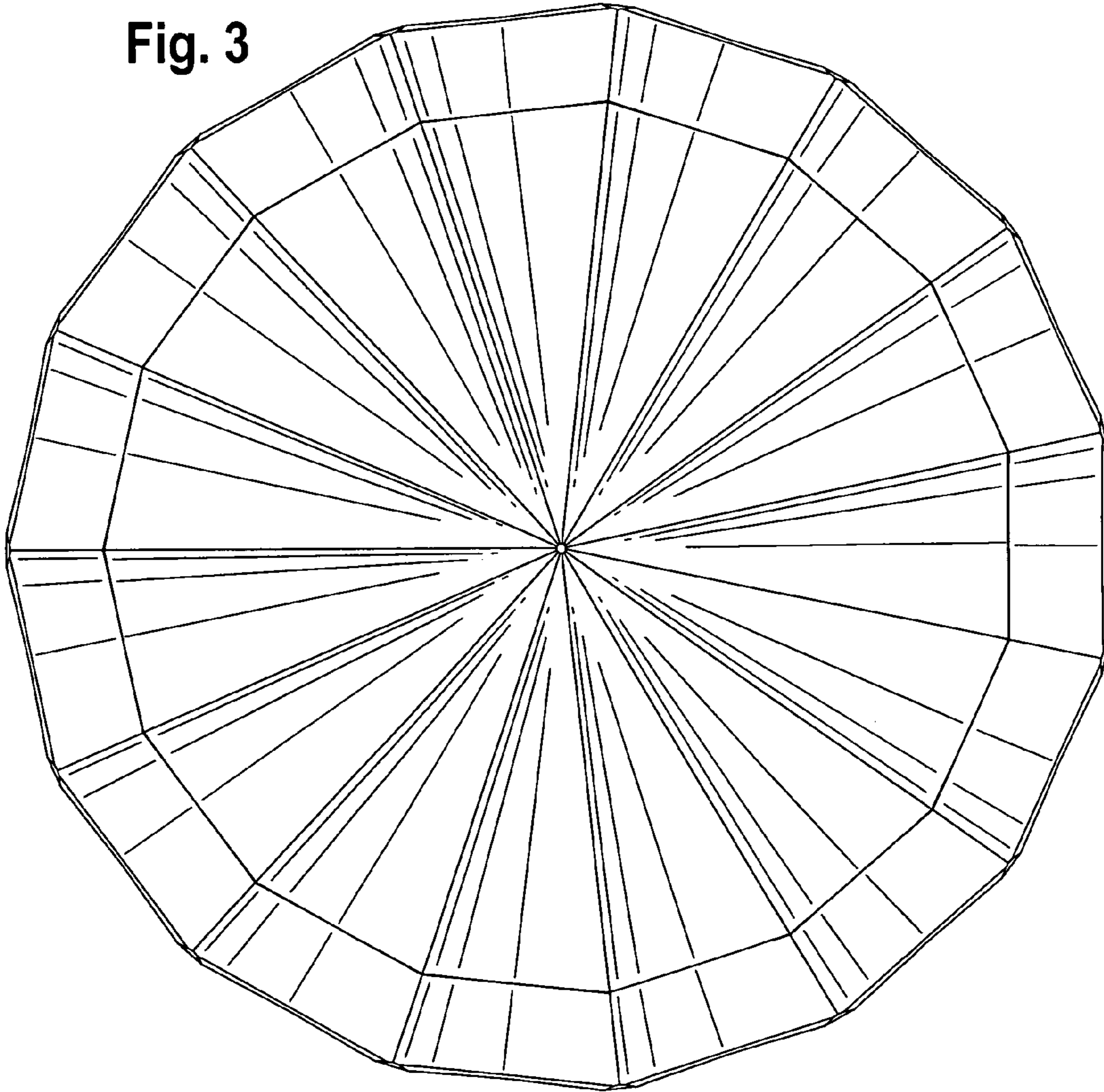


Fig. 4

