



US00D639158S

(12) **United States Design Patent**  
**Whitehead et al.**

(10) **Patent No.:** **US D639,158 S**  
(45) **Date of Patent:** **\*\* Jun. 7, 2011**

(54) **CONTAINER**

**DESCRIPTION**

(76) Inventors: **Daniel T. Whitehead**, Milton, GA (US);  
**H. Keith Sadler**, Jasper, GA (US)

(\*\*) Term: **14 Years**

(21) Appl. No.: **29/362,419**

(22) Filed: **May 25, 2010**

(51) **LOC (9) Cl.** ..... **09-07**

(52) **U.S. Cl.** ..... **D9/435**

(58) **Field of Classification Search** ..... D9/904,  
D9/756, 435, 434, 425, 424; D7/553.6, 359;  
D3/302, 204; 220/793, 782, 315, 270

See application file for complete search history.

(56) **References Cited**

**U.S. PATENT DOCUMENTS**

D195,699	S	*	7/1963	Bostrum	.....	D9/429
5,441,166	A	*	8/1995	Lucas et al.	.....	220/782
D364,090	S	*	11/1995	Krupa	.....	D9/429
D409,910	S	*	5/1999	Hayes et al.	.....	D9/429
D414,413	S	*	9/1999	Brown	.....	D9/429
D433,334	S	*	11/2000	Hayes et al.	.....	D9/452
D450,537	S	*	11/2001	Hayes	.....	D7/538
D494,468	S	*	8/2004	Vovan	.....	D9/435
D499,644	S	*	12/2004	Sarnoff	.....	D9/429
D514,443	S	*	2/2006	Sarnoff	.....	D9/434
D592,497	S	*	5/2009	Brown	.....	D9/424
D620,790	S	*	8/2010	Lovett	.....	D9/425

\* cited by examiner

*Primary Examiner* — Susan Bennett Hattan

(74) *Attorney, Agent, or Firm* — Brient Intellectual Property Law, LLC

(57) **CLAIM**

The ornamental design for a container, as shown and described.

FIG. 1 is a perspective view of a container according to an embodiment of the present design.

FIG. 2 is a front elevation view of the container of FIG. 1.

FIG. 3 is a rear elevation view of the container of FIG. 1.

FIG. 4 is a side elevation view of the container of FIG. 1 as seen from the left side of FIG. 2.

FIG. 5 is a side elevation view of the container of FIG. 1 as seen from the right side of FIG. 2.

FIG. 6 is a top plan view of the container of FIG. 1.

FIG. 7 is a bottom plan view of the container of FIG. 1.

FIG. 8 is a perspective view of a container according to an embodiment of the present design.

FIG. 9 is a front elevation view of the container of FIG. 8.

FIG. 10 is a rear elevation view of the container of FIG. 8.

FIG. 11 is a side elevation view of the container of FIG. 8 as seen from the left side of FIG. 9.

FIG. 12 is a side elevation view of the container of FIG. 8 as seen from the right side of FIG. 9.

FIG. 13 is a top plan view of the container of FIG. 8.

FIG. 14 is a bottom plan view of the container of FIG. 8.

FIG. 15 is a perspective view of a container according to an embodiment of the present design.

FIG. 16 is a front elevation view of the container of FIG. 15.

FIG. 17 is a rear elevation view of the container of FIG. 15.

FIG. 18 is a side elevation view of the container of FIG. 15 as seen from the left side of FIG. 16.

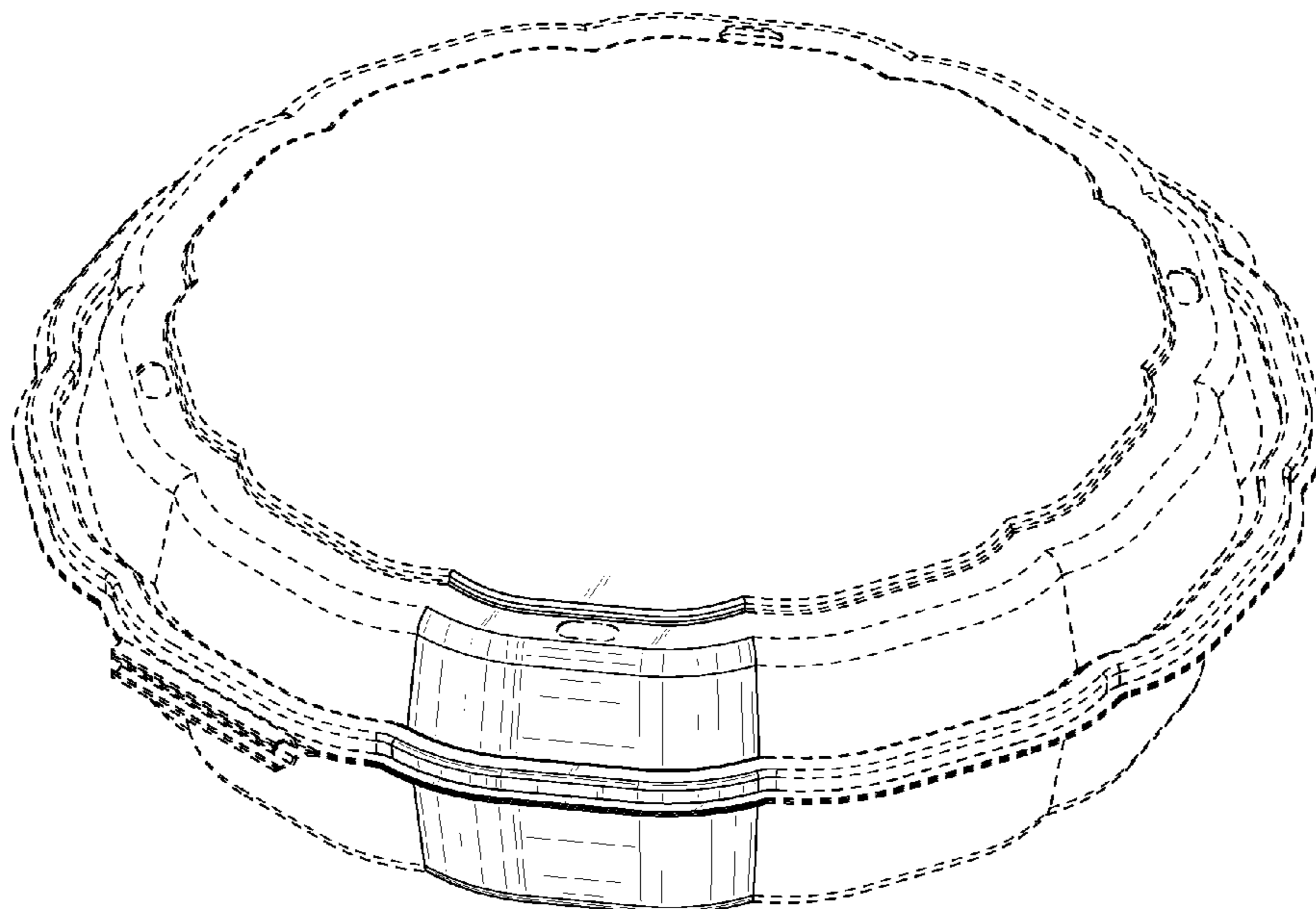
FIG. 19 is a side elevation view of the container of FIG. 15 as seen from the left side of FIG. 16.

FIG. 20 is a top plan view of the container of FIG. 15; and,

FIG. 21 is a bottom plan view of the container of FIG. 15.

The broken lines shown in FIGS. 1 through 21 illustrate portions of the container which form no part of the claimed design.

**1 Claim, 15 Drawing Sheets**



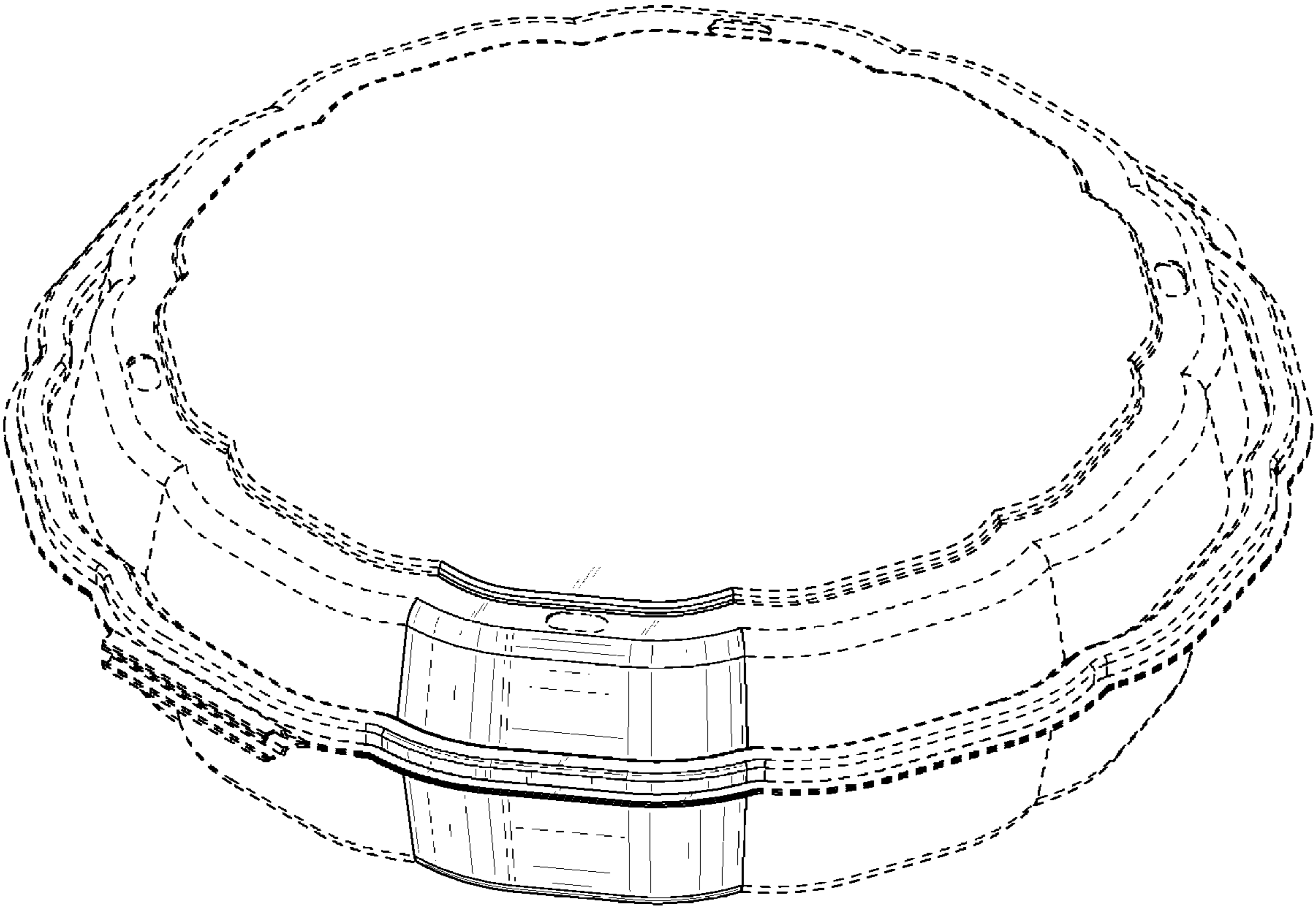


FIG. 1

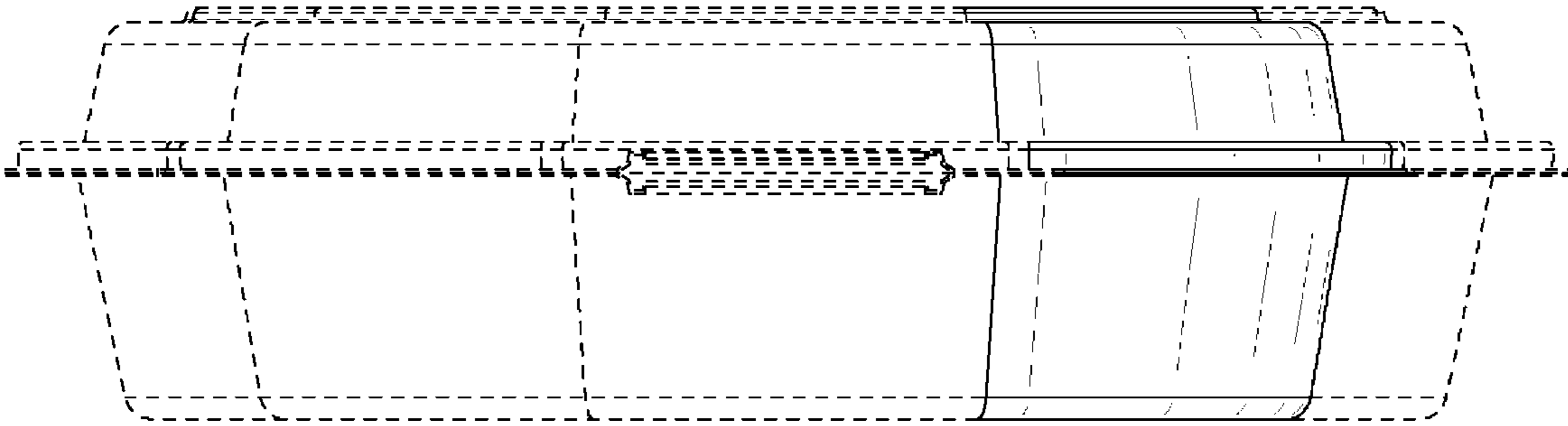


FIG. 2

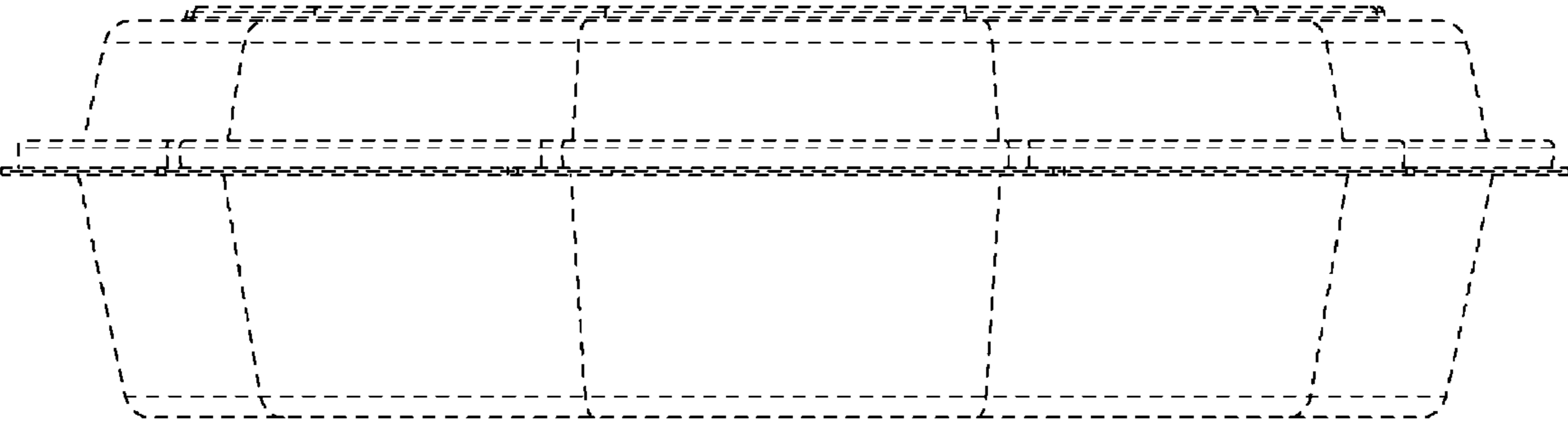


FIG. 3

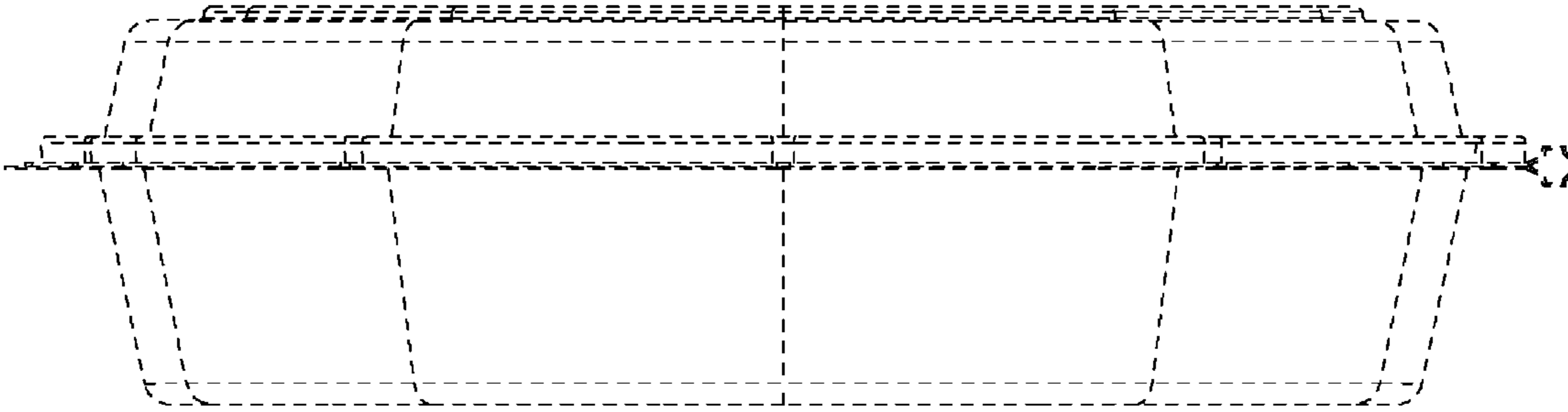


FIG. 4

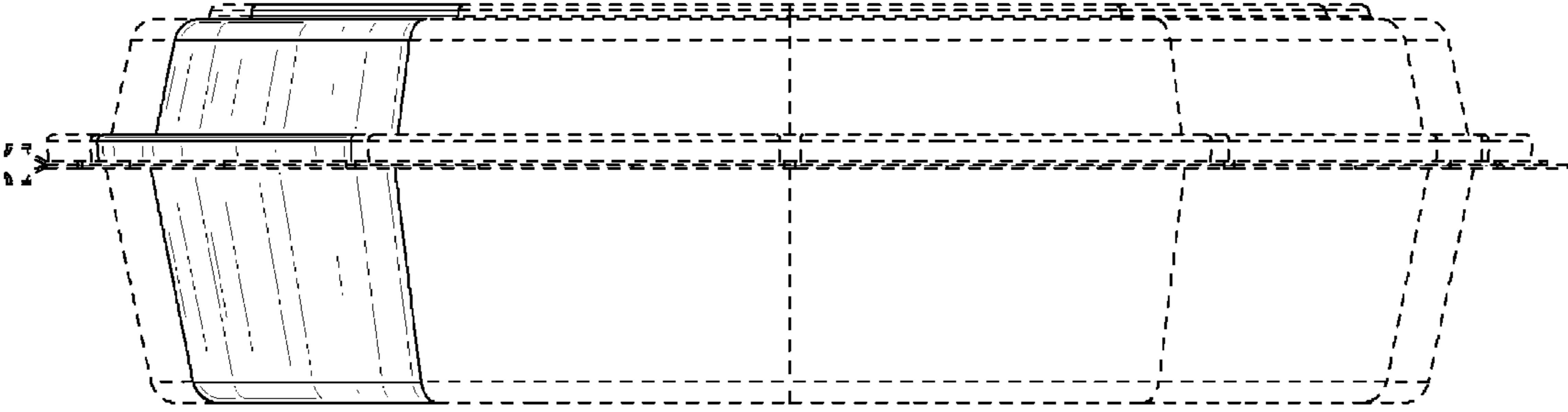


FIG. 5

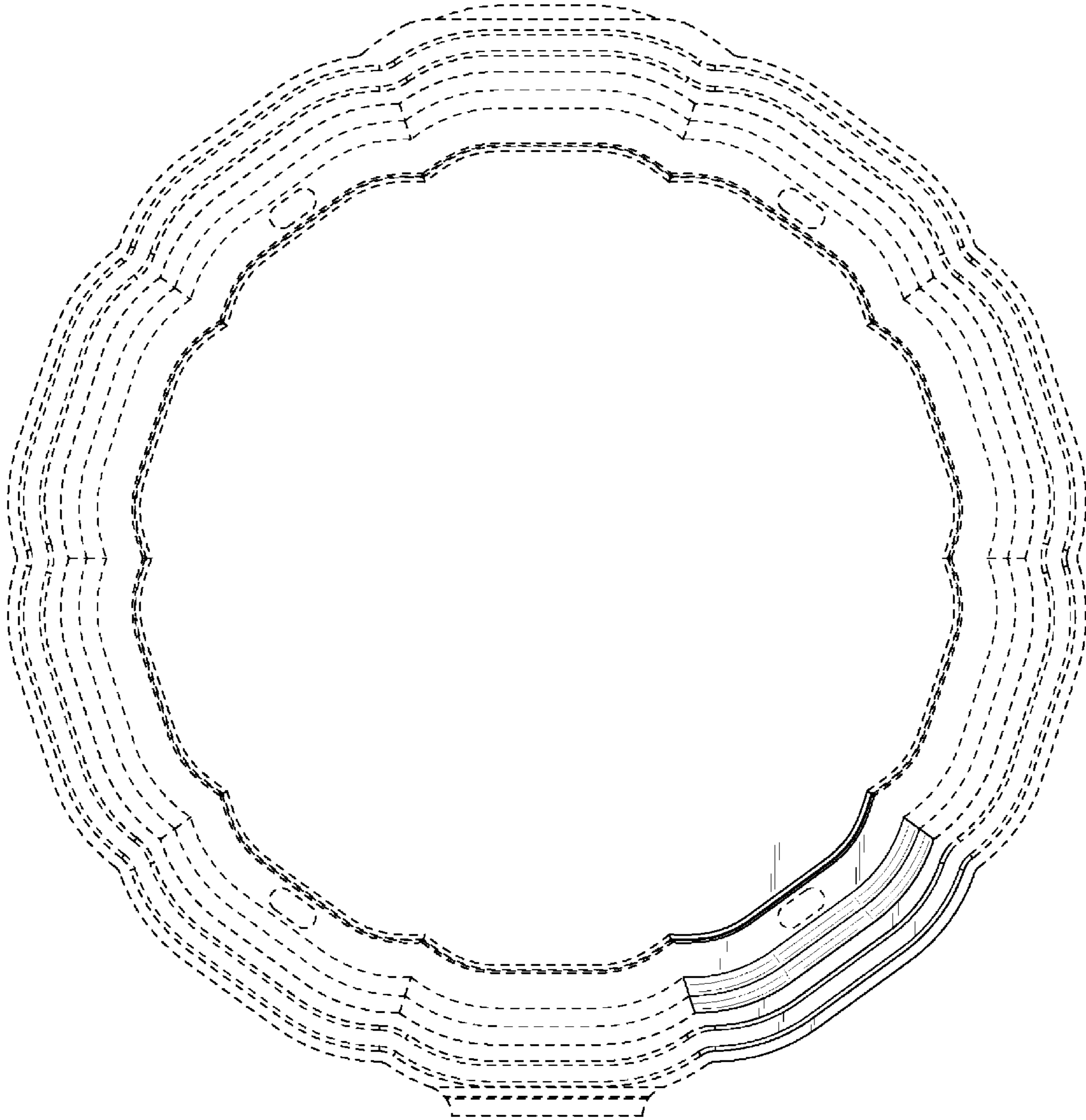


FIG. 6

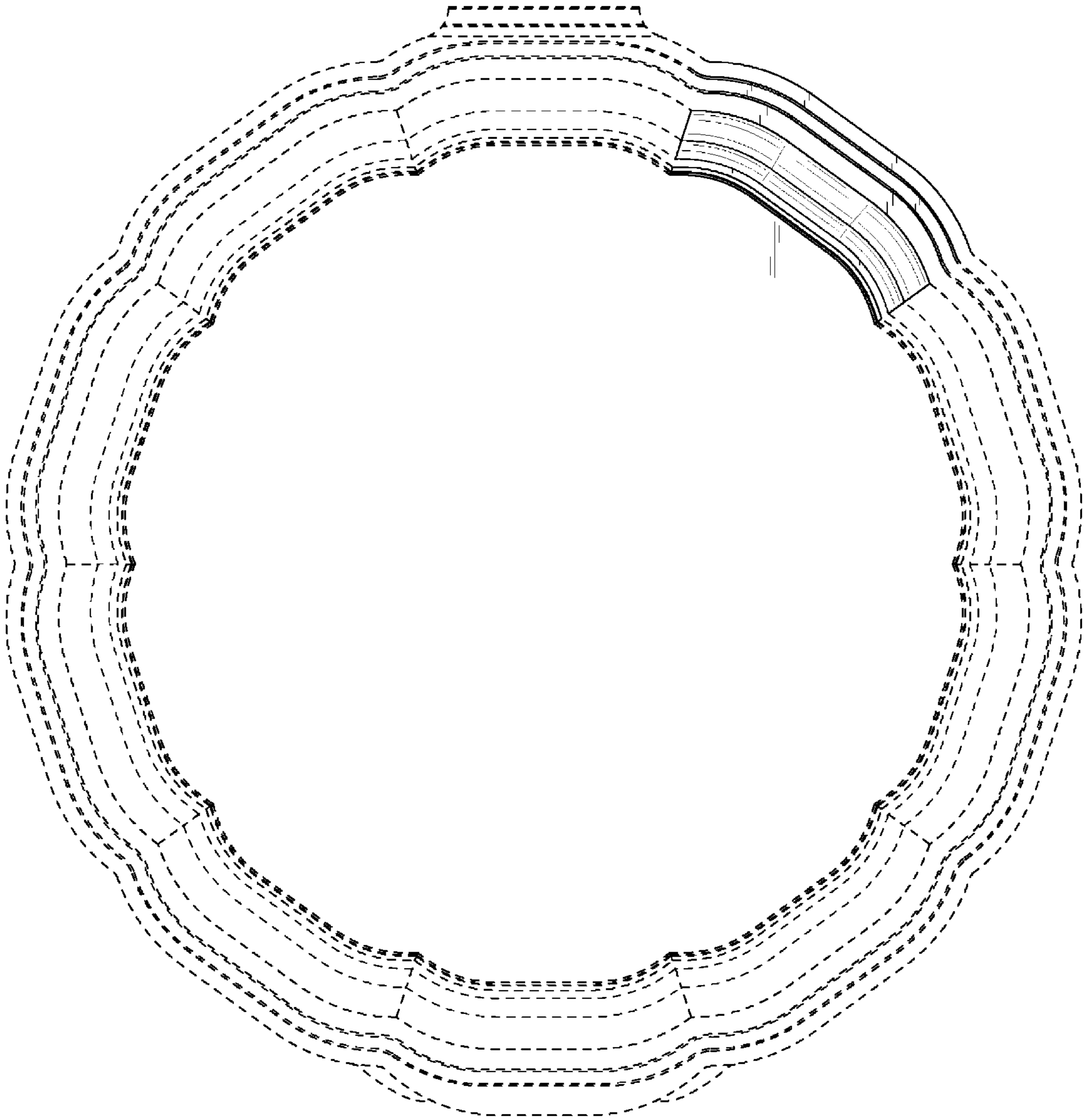


FIG. 7

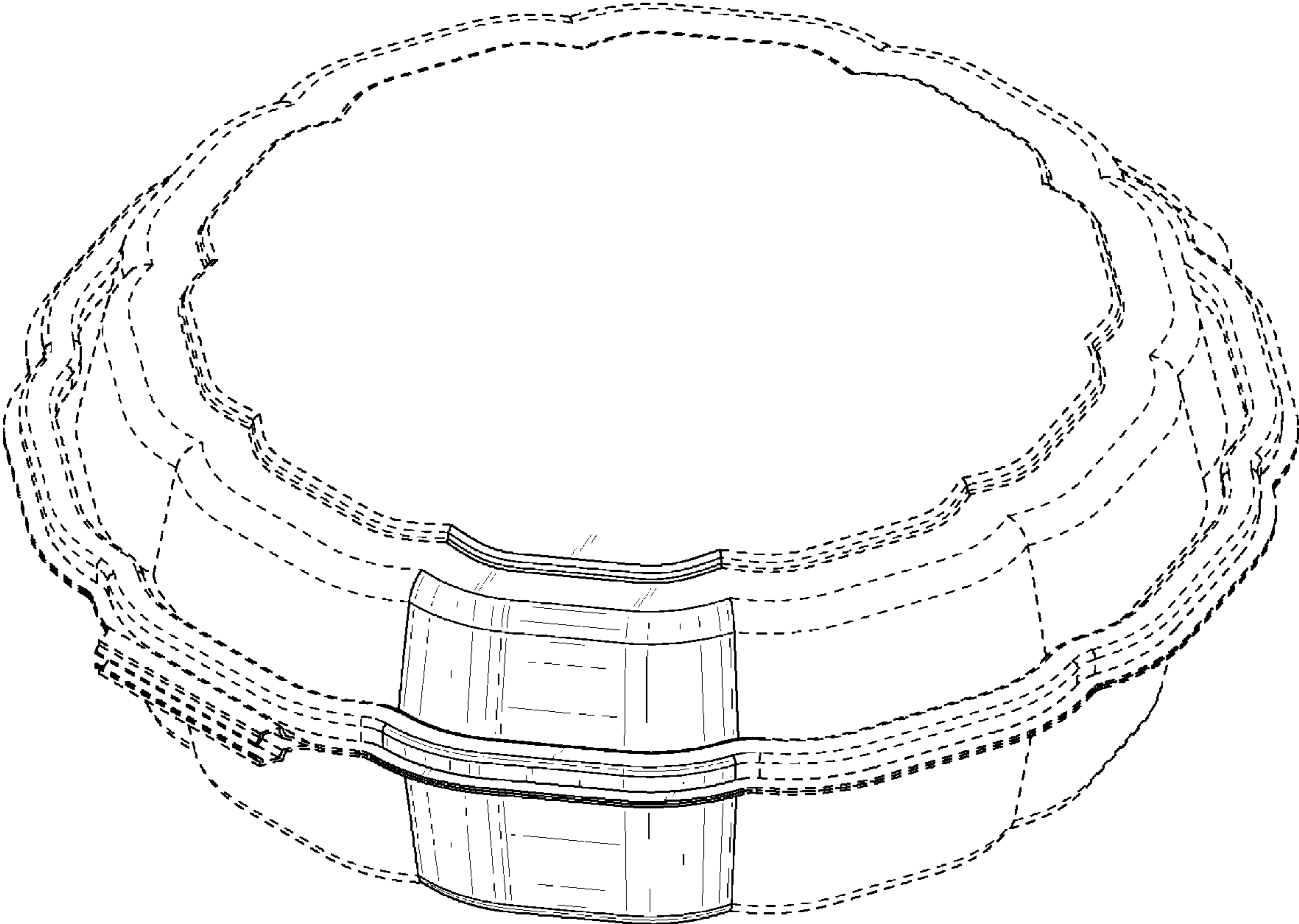


FIG. 8

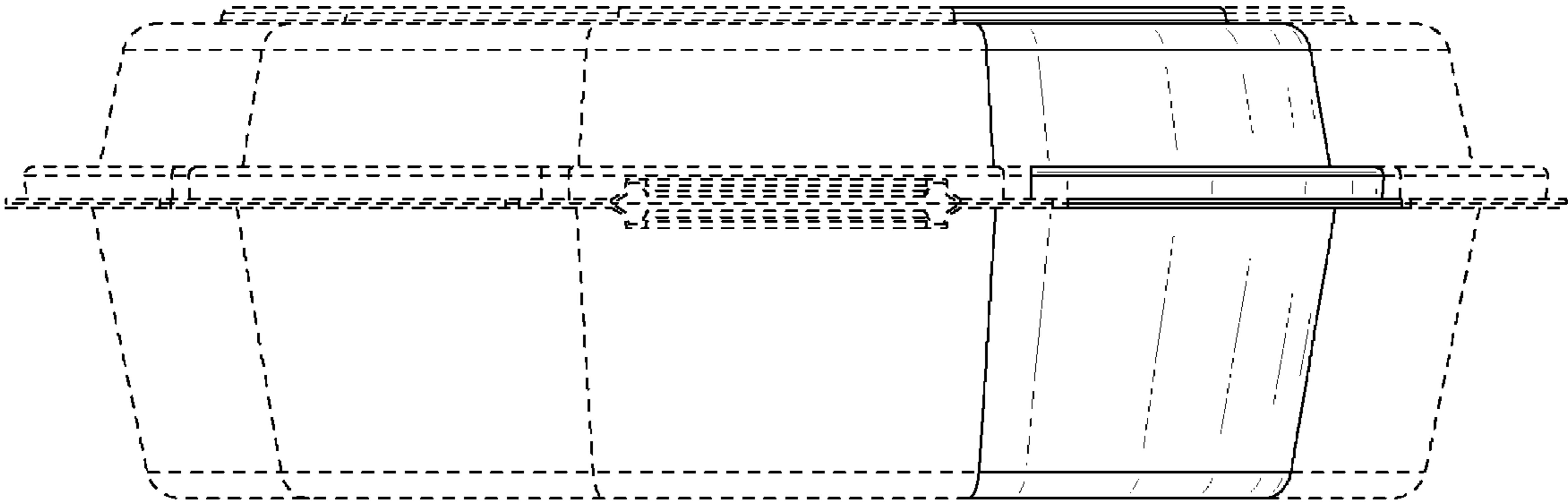


FIG. 9

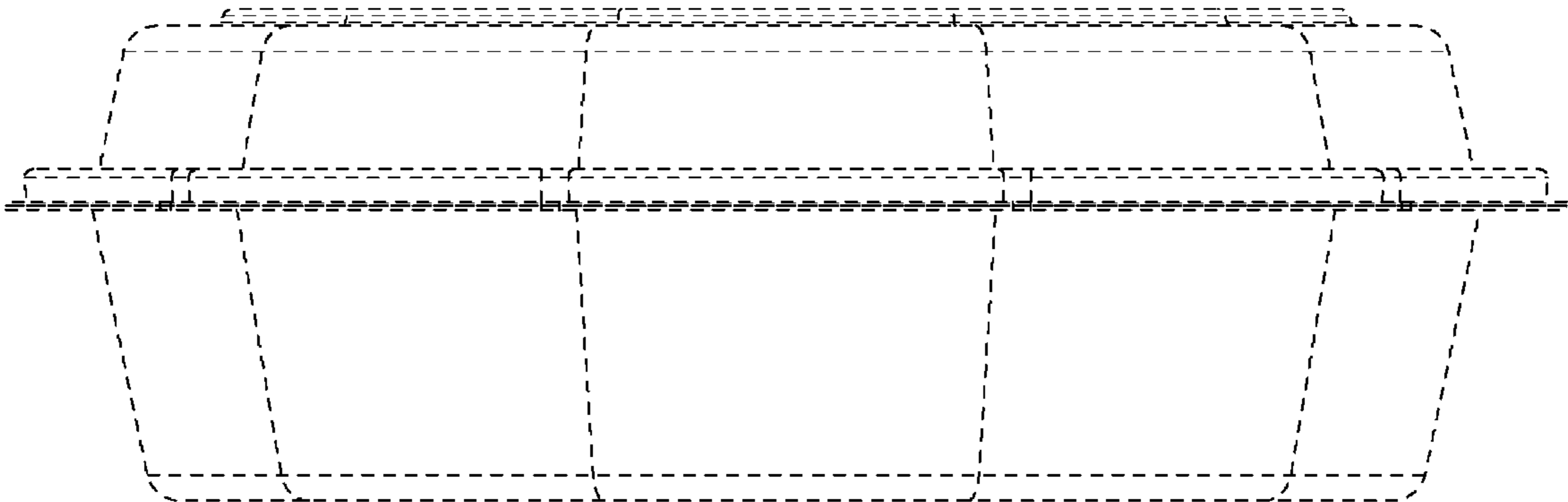


FIG. 10



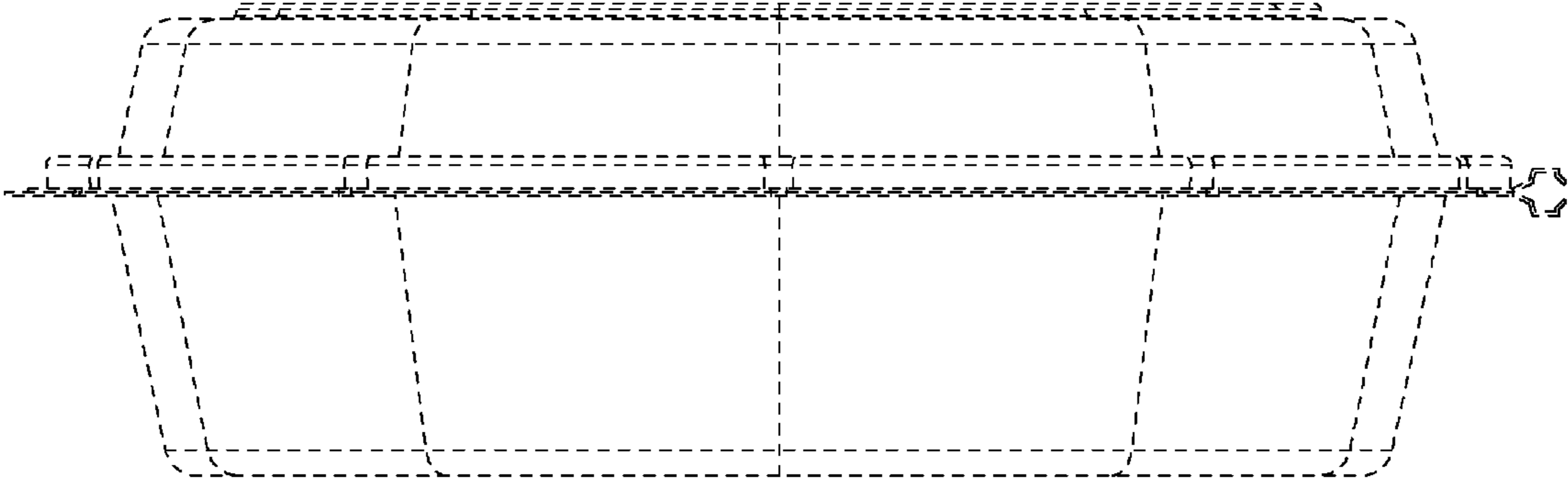


FIG. 11

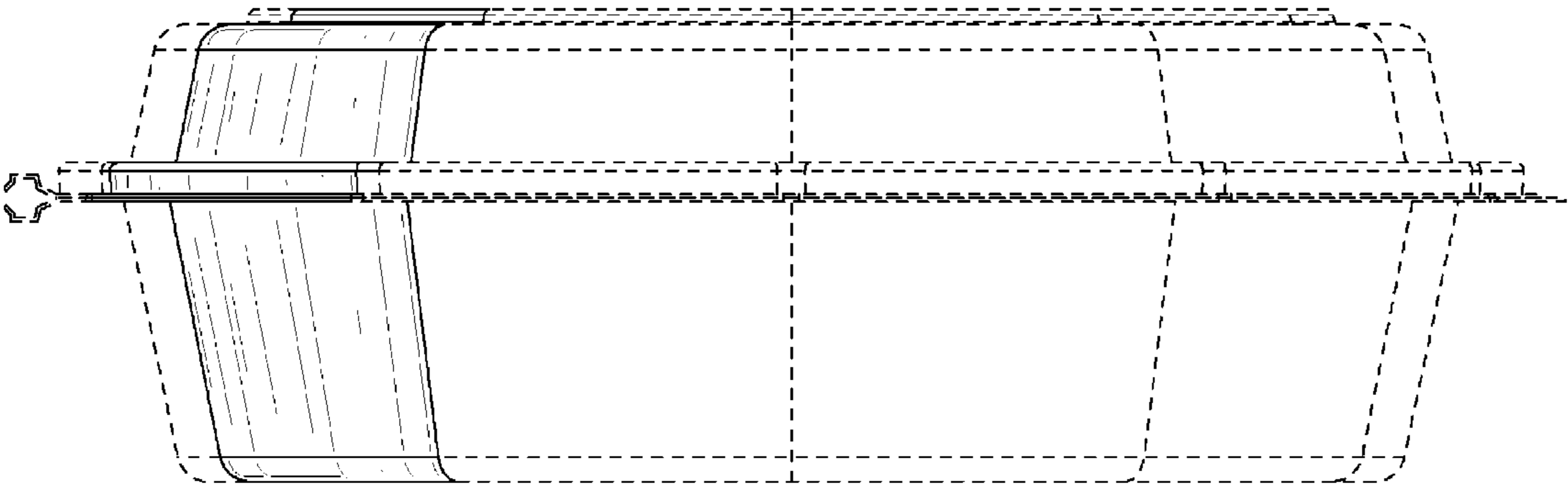


FIG. 12

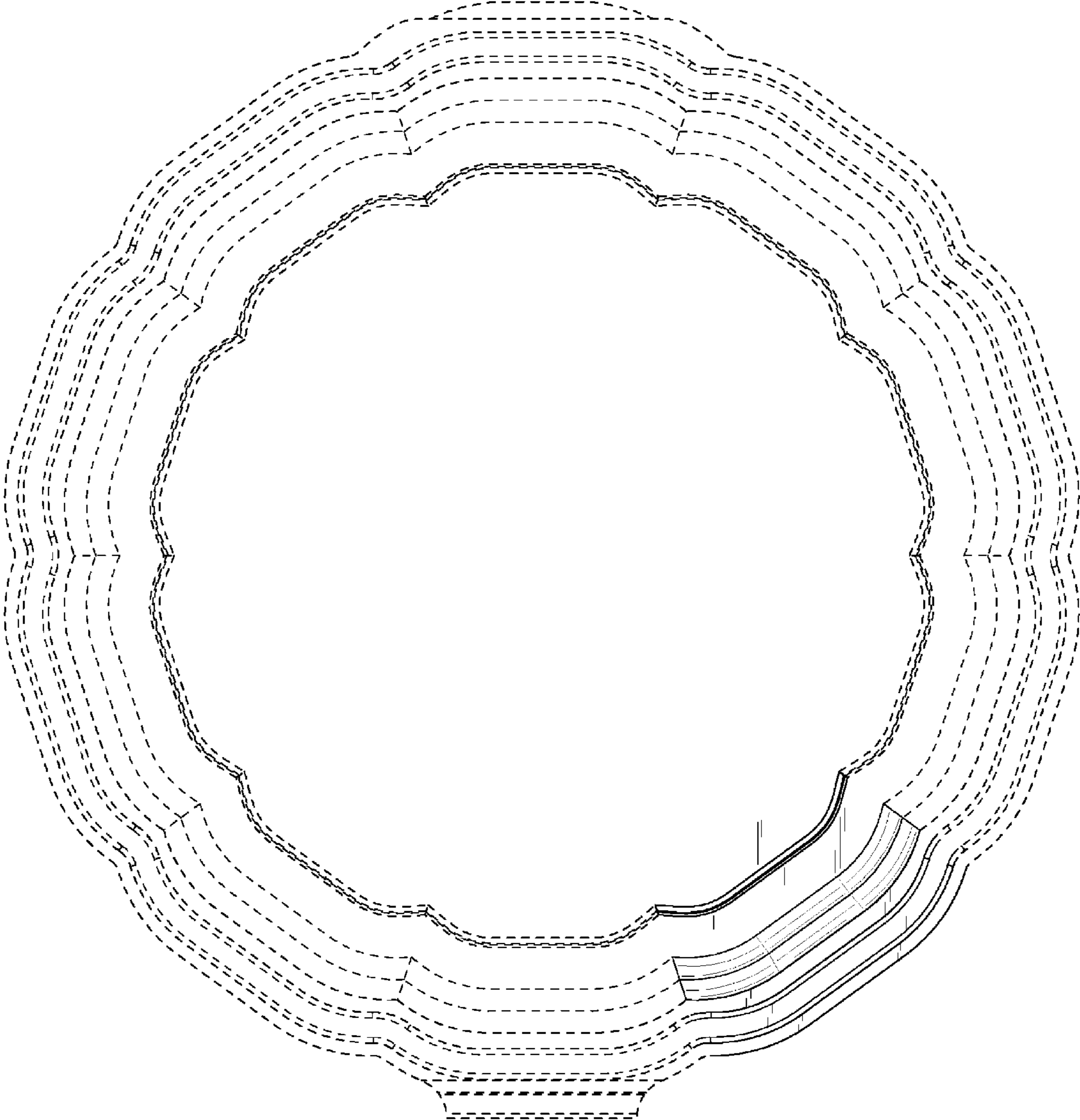


FIG. 13



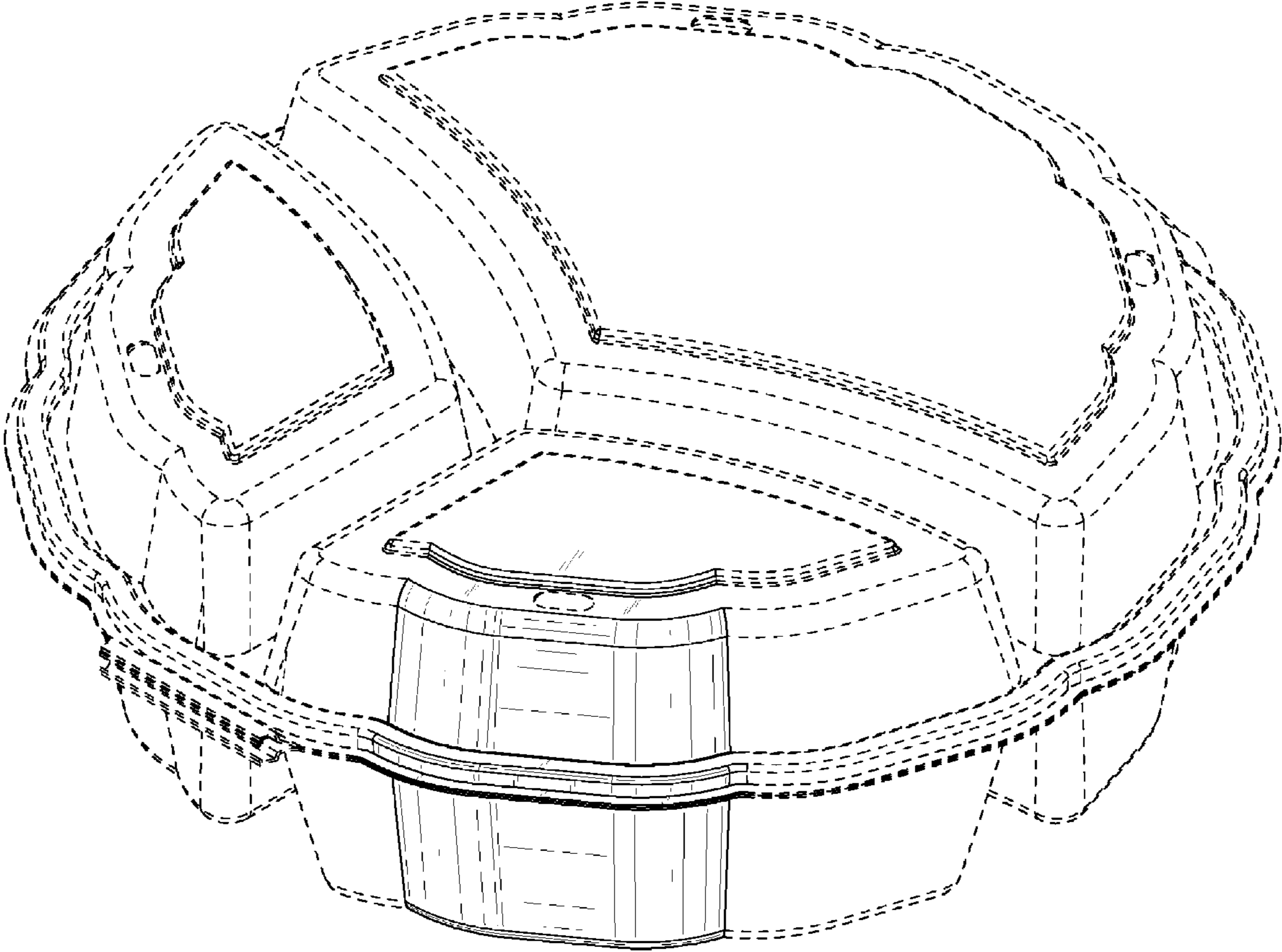


FIG. 15

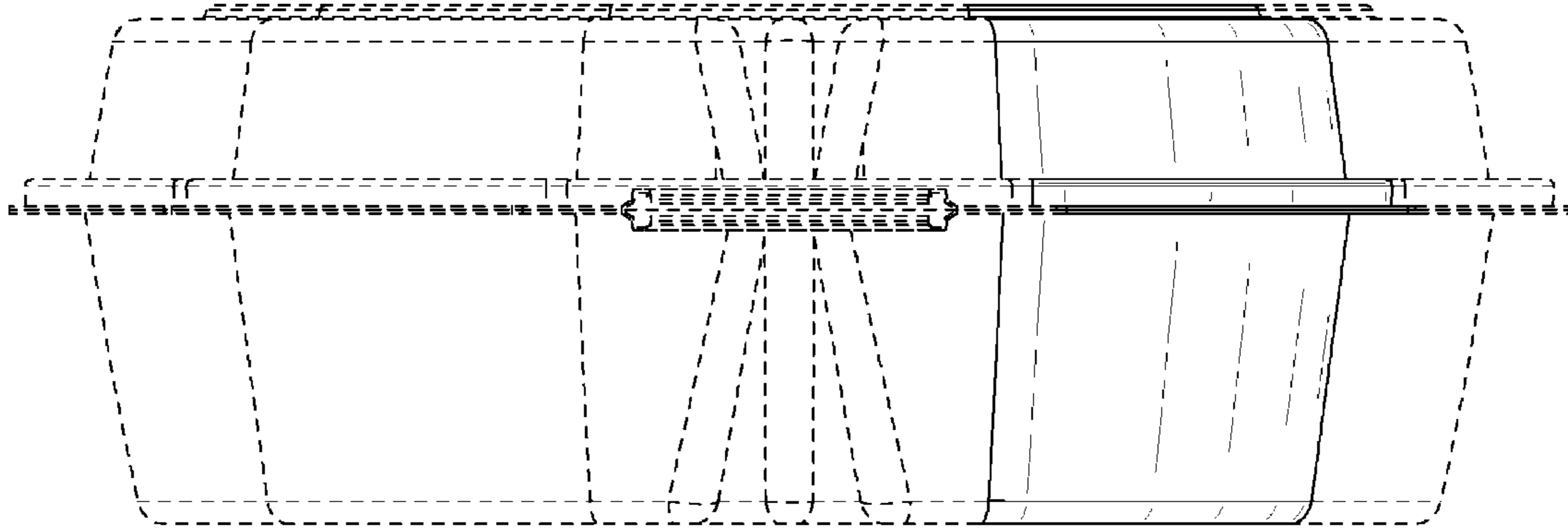


FIG. 16

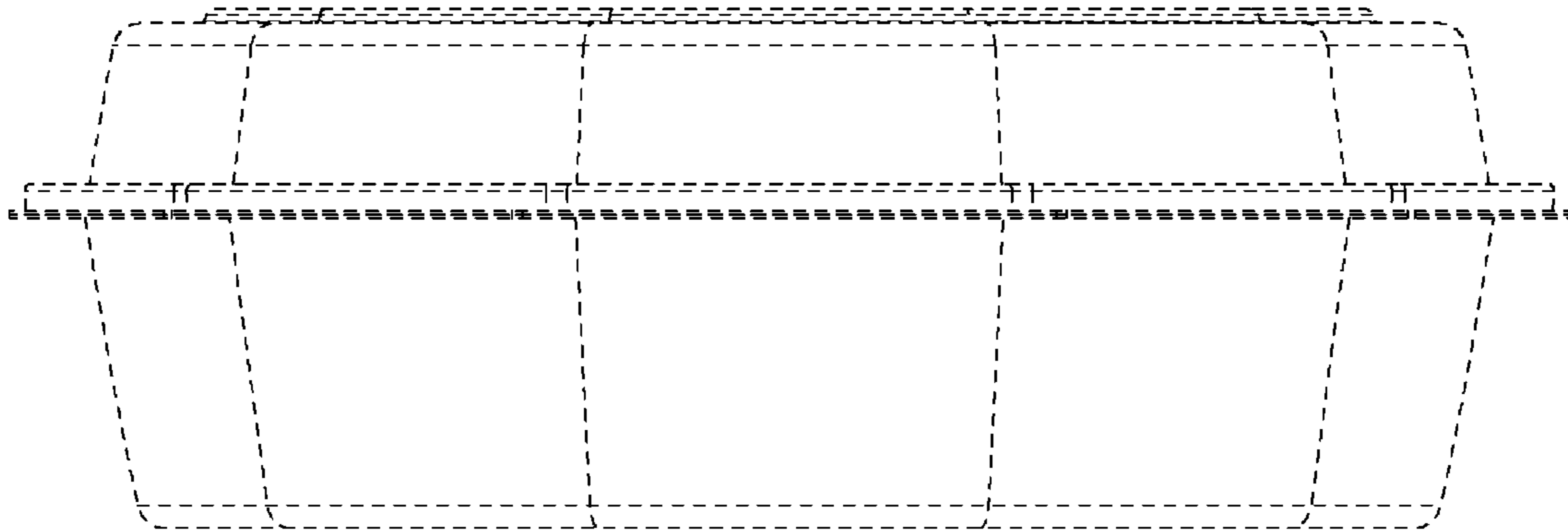


FIG. 17

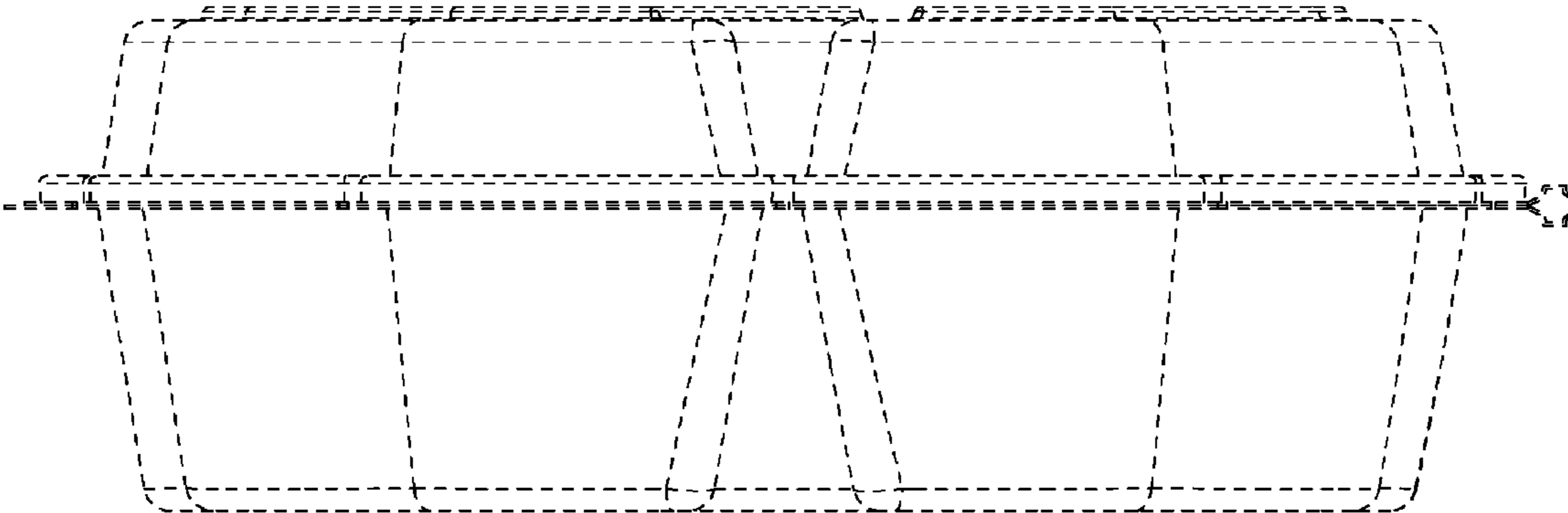


FIG. 18

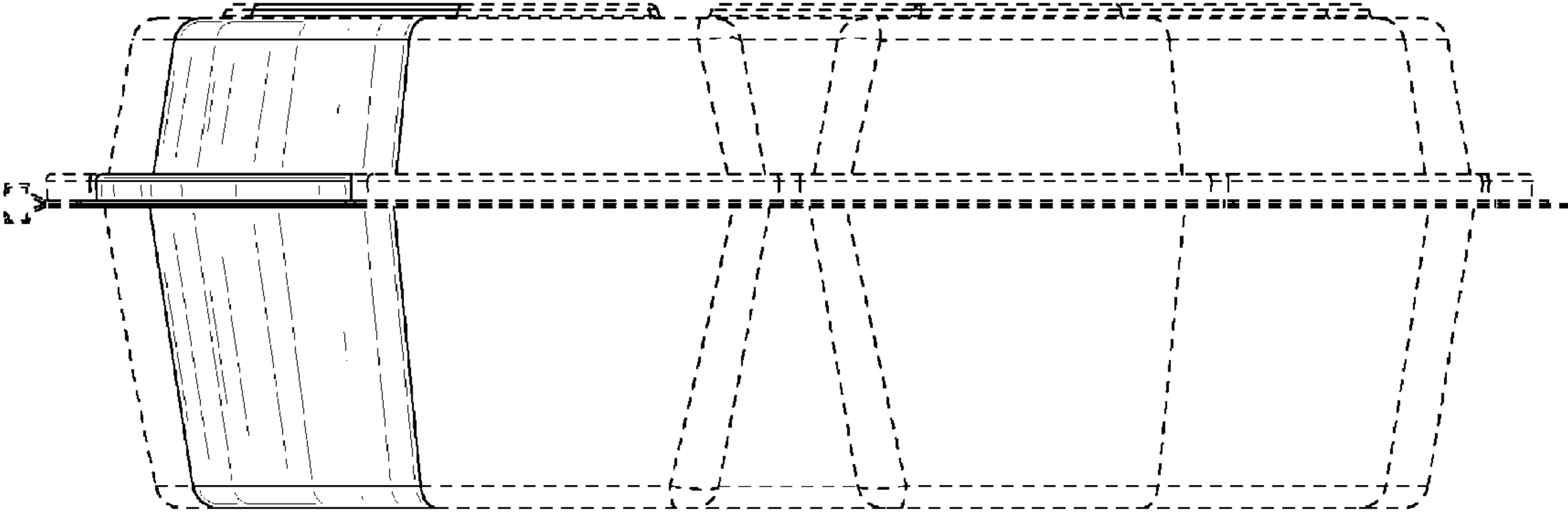


FIG. 19

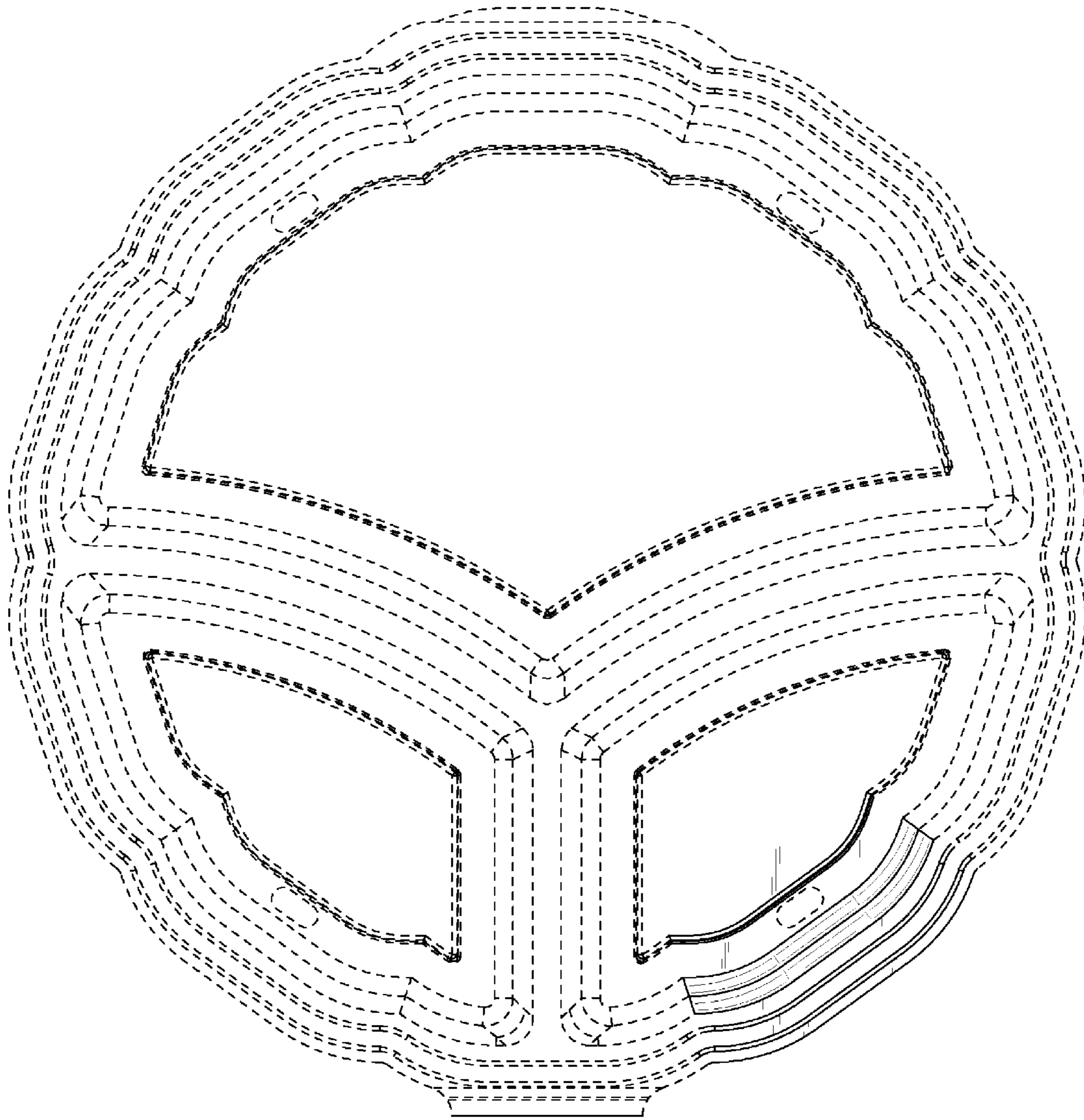


FIG. 20

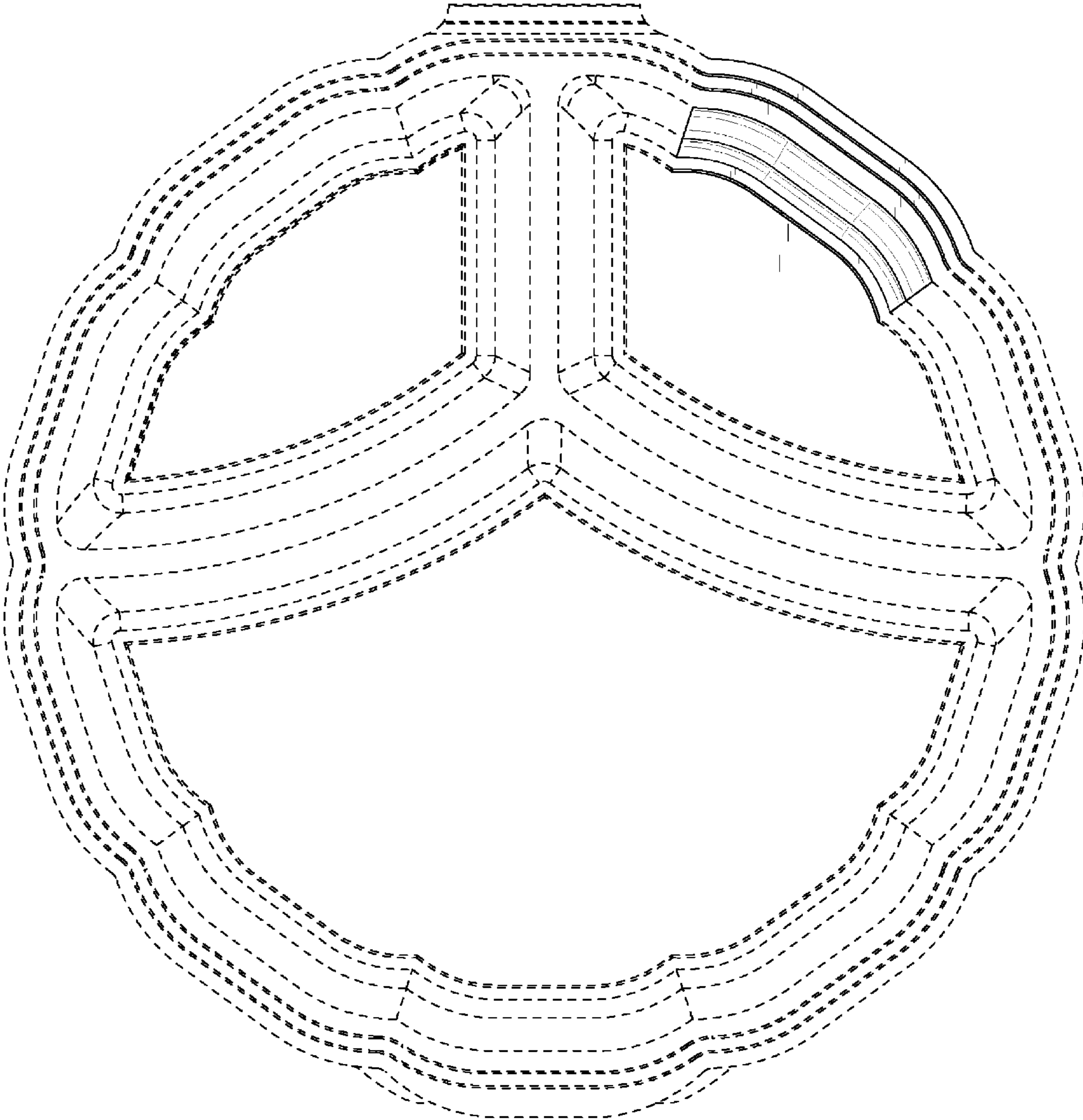


FIG. 21