



US00D639157S

(12) **United States Design Patent**
Ostergard

(10) **Patent No.:** **US D639,157 S**

(45) **Date of Patent:** **** Jun. 7, 2011**

(54) **PRODUCT PACKAGING**

(75) Inventor: **Jens Ole Ostergard**, Stovring (DK)

(73) Assignee: **GN Netcom A/S** (DK)

(**) Term: **14 Years**

(21) Appl. No.: **29/345,402**

(22) Filed: **Oct. 15, 2009**

(51) **LOC (9) Cl.** **09-03**

(52) **U.S. Cl.** **D9/433**

(58) **Field of Classification Search** D9/430-433,
D9/414, 418, 420-424; D3/272; 206/267,
206/269, 270, 273, 299, 737, 740, 822, 37;
229/100, 101, 101.3, 106, 108-112, 114-117,
229/117.05-117.09, 117.24-117.26, 221,
229/222, 227, 902, 939, 941, 942; 40/404
See application file for complete search history.

4,111,301	A *	9/1978	English	206/326
4,170,298	A *	10/1979	Dorn	206/326
4,185,741	A *	1/1980	Schiff et al.	206/326
4,398,902	A *	8/1983	Mangum	493/102
4,407,442	A *	10/1983	Watson et al.	229/120.18
4,619,362	A *	10/1986	Crowe et al.	206/326
D368,656	S *	4/1996	Campbell-Scott	D9/430
D607,320	S *	1/2010	Tearle	D9/423
2009/0251034	A1 *	10/2009	Nielsen et al.	312/259

FOREIGN PATENT DOCUMENTS

WO DM-056279 * 3/2001

* cited by examiner

Primary Examiner — Karen S Acker

(74) *Attorney, Agent, or Firm* — Altera Law Group, LLC

(57) **CLAIM**

The ornamental design for a product packaging, as shown and described.

(56) **References Cited**

U.S. PATENT DOCUMENTS

1,747,981	A *	2/1930	Marsh	108/100
2,015,278	A *	9/1935	Meyer	229/120.18
2,331,753	A *	10/1943	Wohlers	206/326
2,346,003	A *	4/1944	Bishop	206/326
2,745,588	A *	5/1956	Dunning	229/103
2,791,363	A *	5/1957	Boeye	206/527
2,832,525	A *	4/1958	Cavin	206/326
2,891,710	A *	6/1959	Repking	206/742
3,027,061	A *	3/1962	Locke	206/527
3,181,768	A *	5/1965	Flynn et al.	206/326
3,259,295	A *	7/1966	Butz	229/110
3,871,520	A *	3/1975	Hand	206/320
3,934,720	A *	1/1976	Kratochvil, Jr.	206/326
4,098,401	A *	7/1978	Brown et al.	206/326
4,099,613	A *	7/1978	Holtorf	206/745

DESCRIPTION

FIG. 1 is a bottom view of the product packaging.
FIG. 2 is a side view thereof.
FIG. 3 is a front view thereof.
FIG. 4 is the other side view thereof.
FIG. 5 is a rear view thereof.
FIG. 6 is a top view thereof.
FIG. 7 is a front and top side perspective view thereof.
FIG. 8 is rear and side bottom perspective view thereof; and,
FIG. 9 is an unfolded view of the product packaging of FIG. 1.
The dashed lines in FIG. 9 represent fold lines and are part of the claimed design.

1 Claim, 9 Drawing Sheets

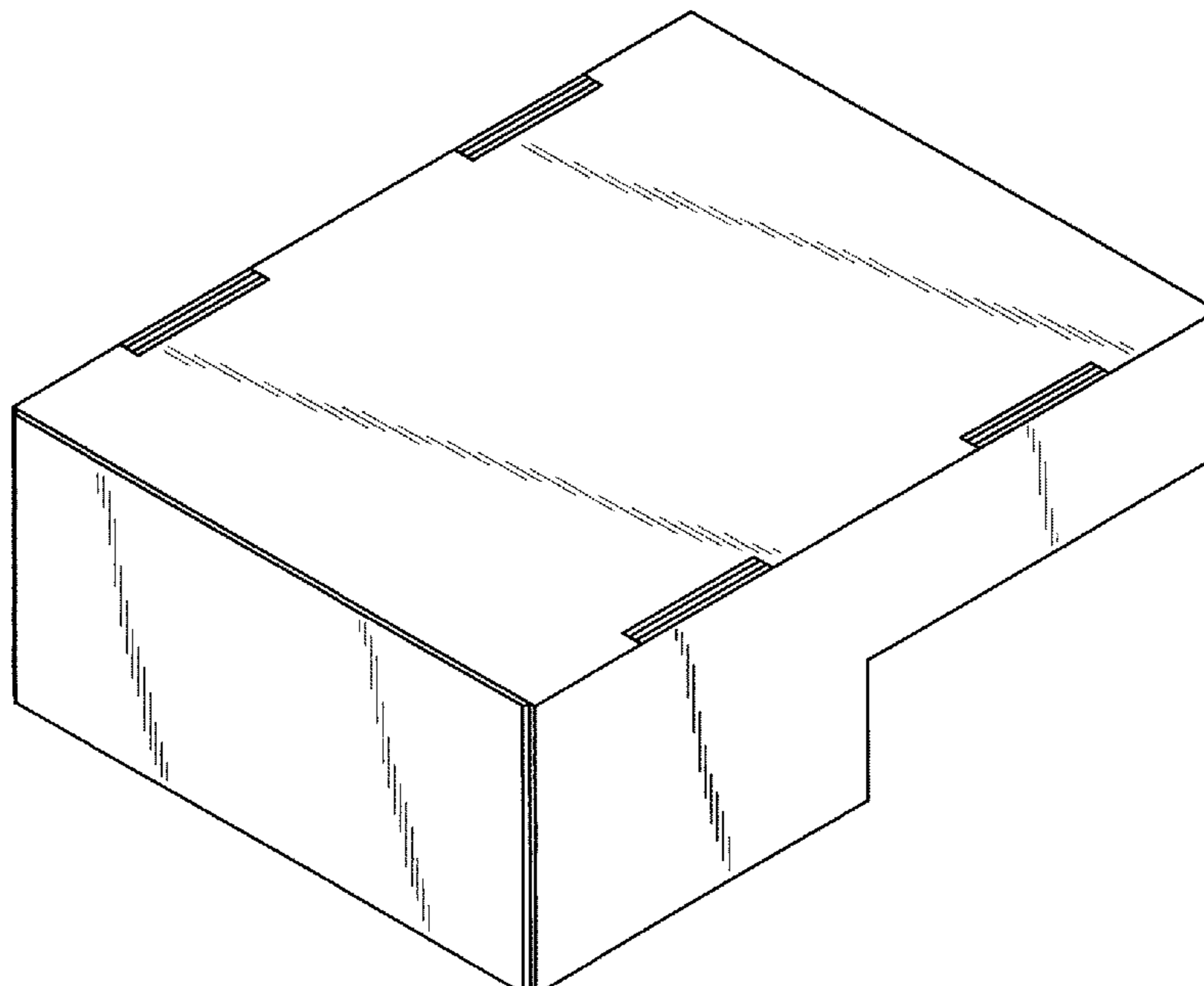
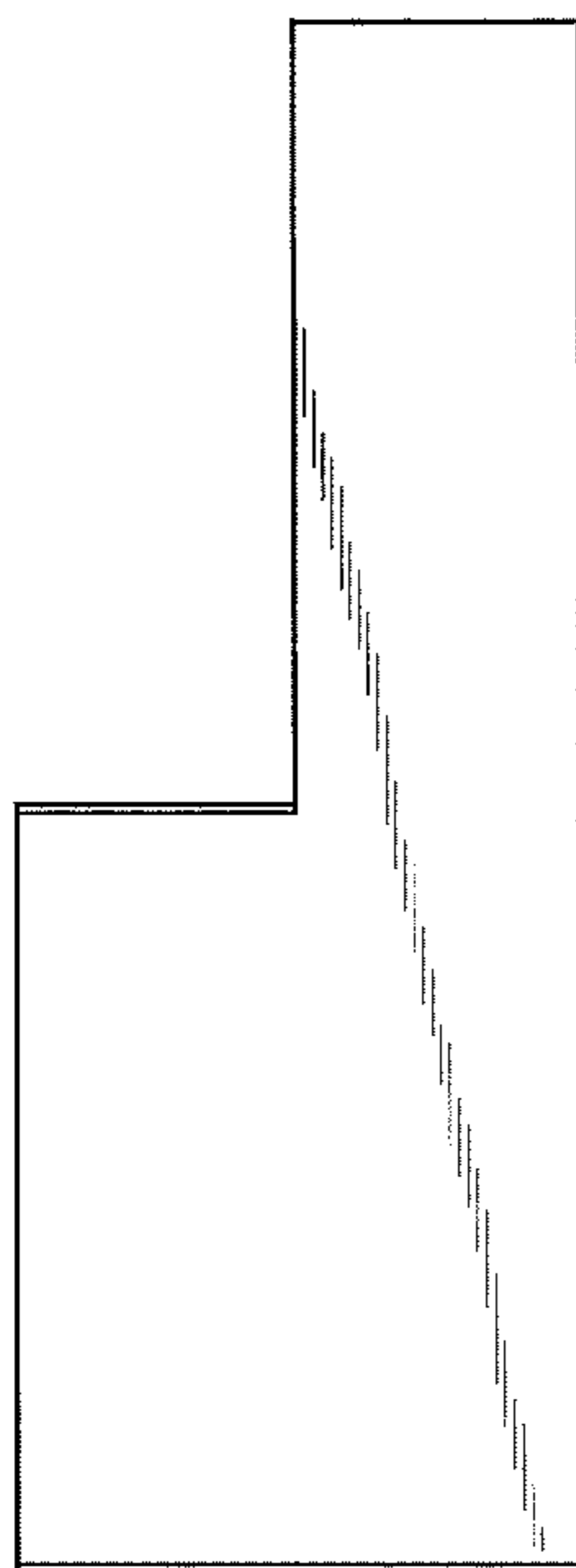




Fig. 1

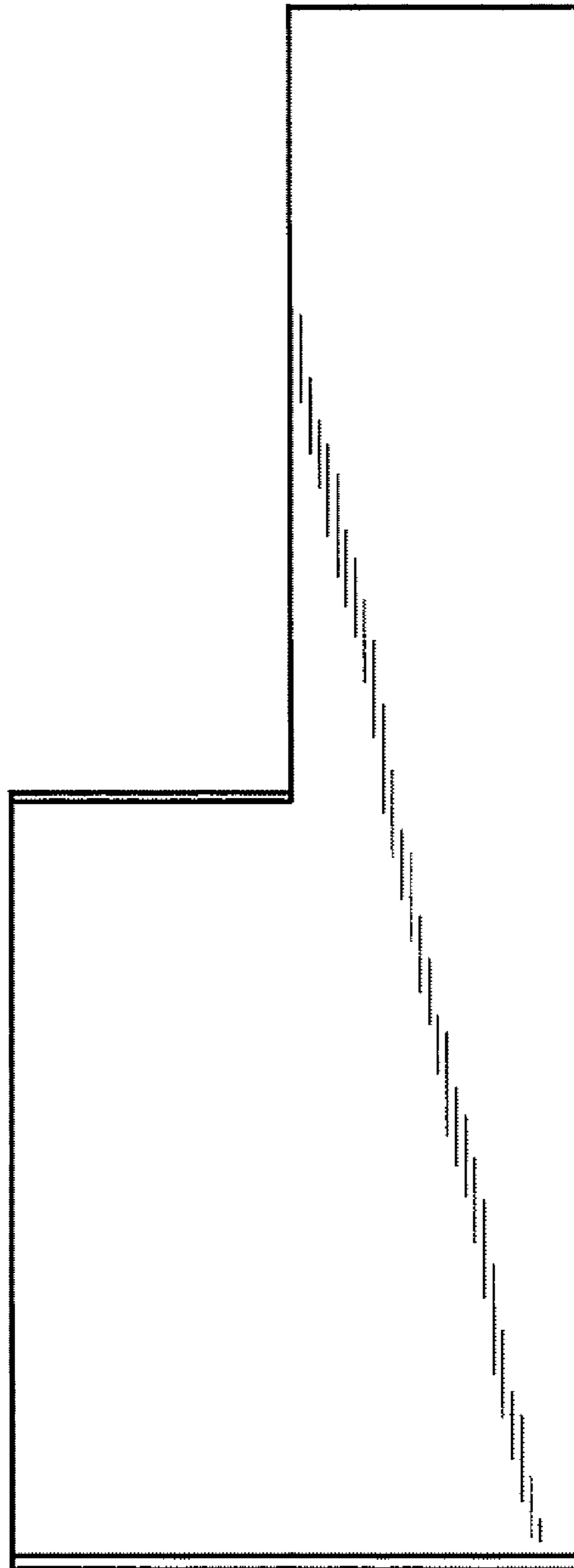


Fig. 2

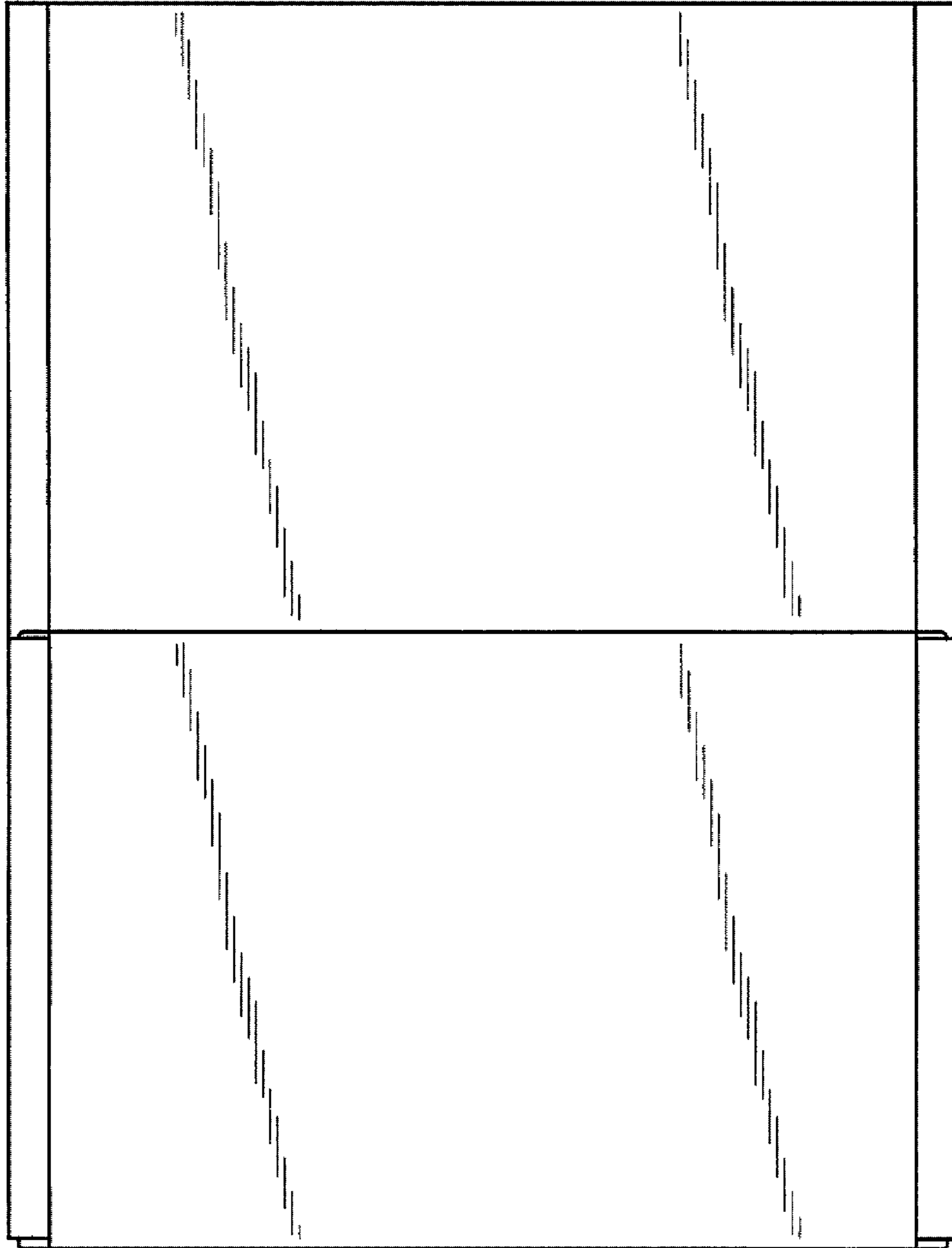


Fig. 3

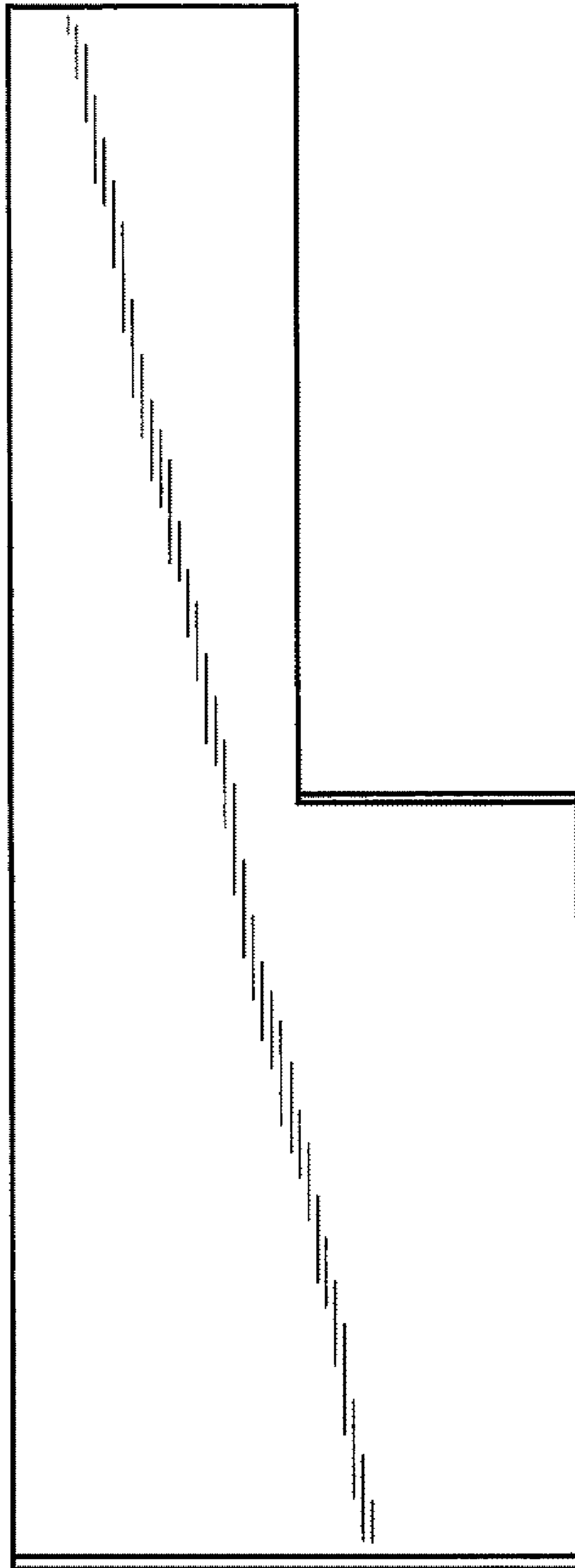


Fig. 4

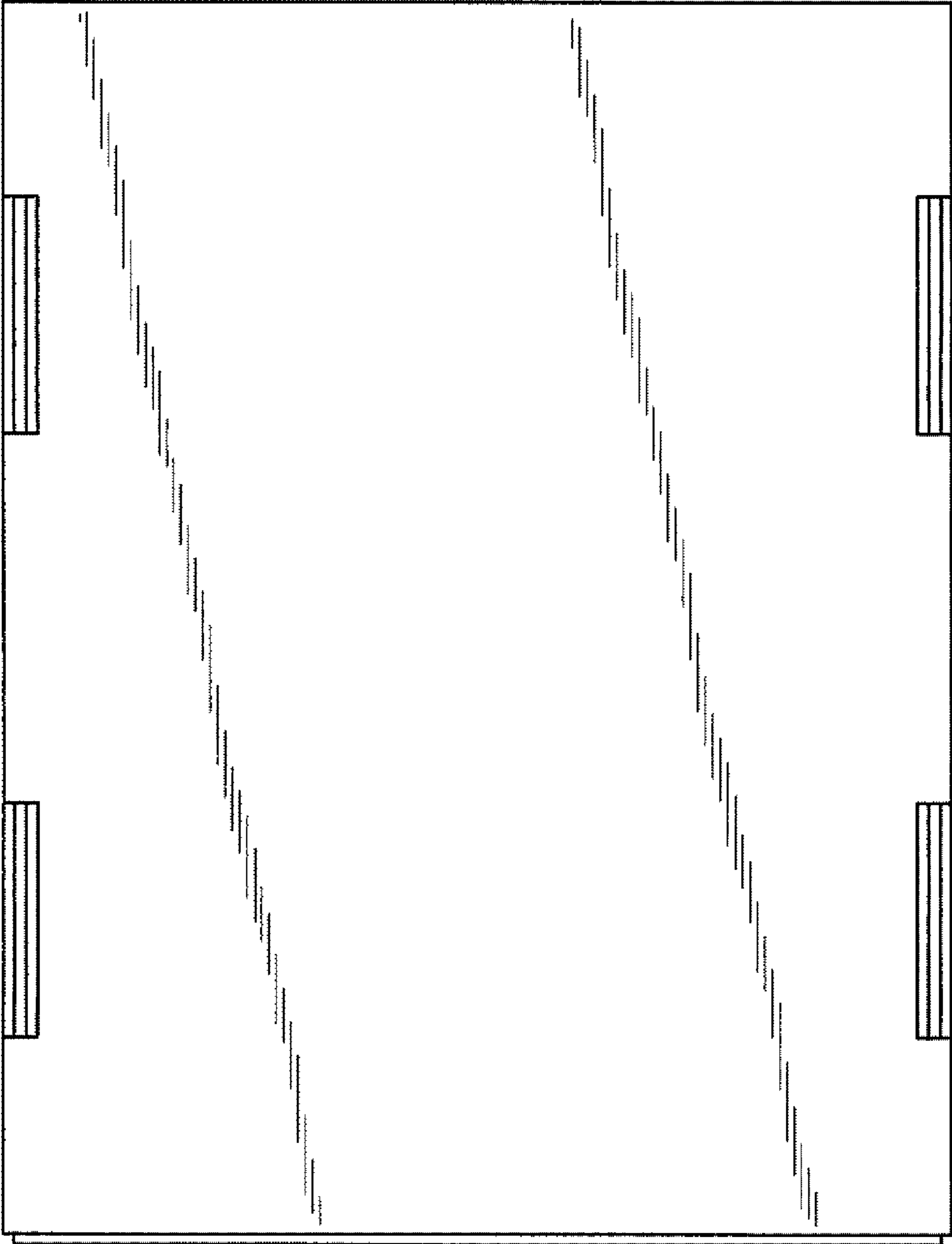


Fig. 5

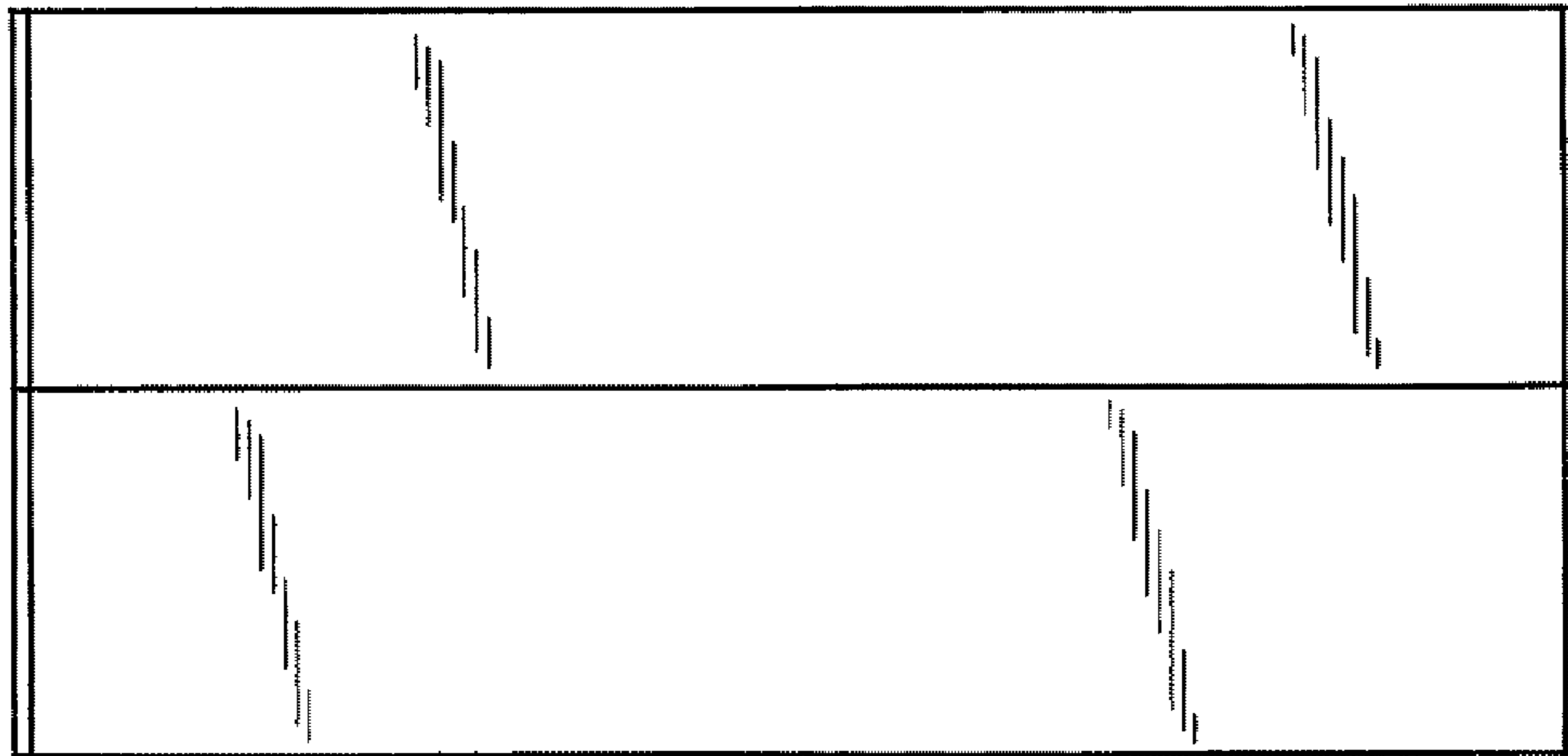


Fig. 6

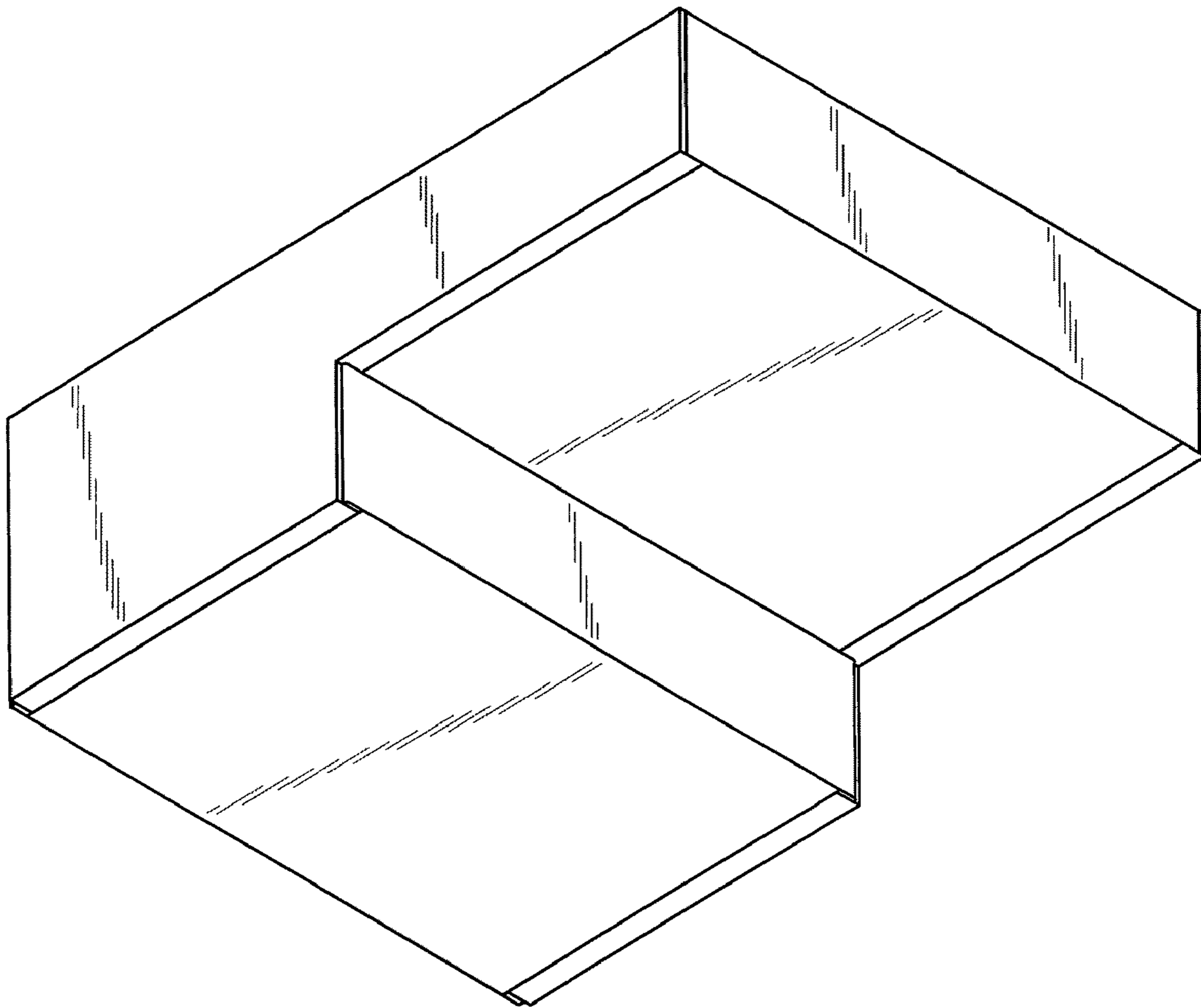


Fig. 7

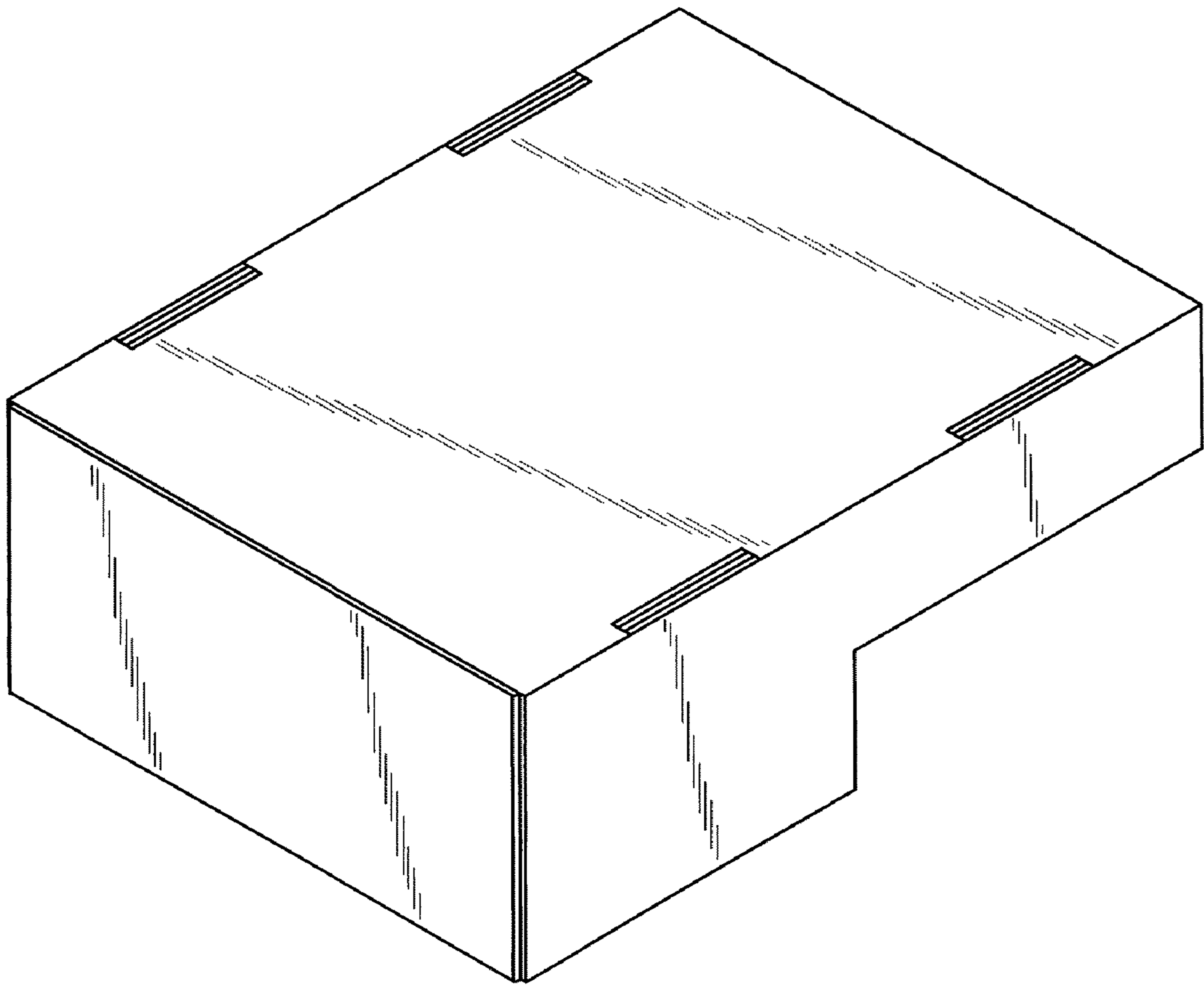


Fig. 8

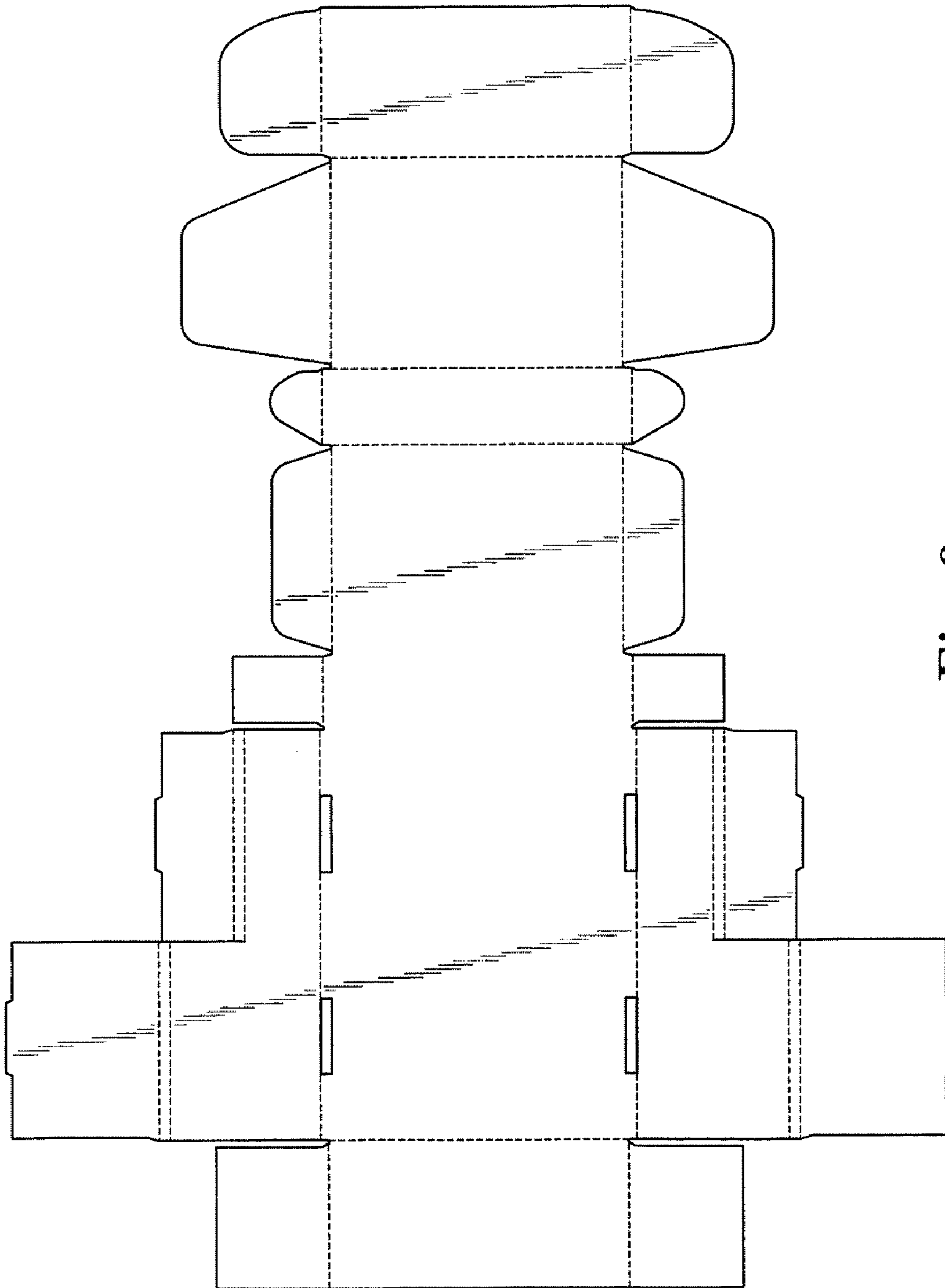


Fig. 9