



US00D639154S

(12) **United States Design Patent**
Chen et al.

(10) **Patent No.:** **US D639,154 S**
(45) **Date of Patent:** **** Jun. 7, 2011**

(54) **CONTAINER**

(75) Inventors: **Song Ping Chen**, Shen Zhen (CN); **Ru Zheng Liu**, ShenZhen (CN)

(73) Assignee: **E.Pak International, Inc.**, Austin, TX (US)

(**) Term: **14 Years**

(21) Appl. No.: **29/297,891**

(22) Filed: **Nov. 21, 2007**

(51) **LOC (9) Cl.** **09-03**

(52) **U.S. Cl.** **D9/424**

(58) **Field of Classification Search** D9/424,
D9/414, 418, 420-423, 425, 428, 429, 430,
D9/432; D3/201, 211, 212, 242, 272, 273;
D7/538, 601, 602, 609, 629; 206/205, 210,
206/216, 508, 518, 519, 541, 557, 710, 723,
206/815, 822, 832; 220/675, 676, 781, 786,
220/789, 790, 793, 796; 229/406, 905, 906,
229/925, 926

See application file for complete search history.

(56) **References Cited**

U.S. PATENT DOCUMENTS

4,160,504	A *	7/1979	Kudlich et al.	206/711
4,171,740	A *	10/1979	Clement et al.	206/213.1
4,520,925	A	6/1985	Johnson	
4,557,382	A *	12/1985	Johnson	206/308.3
4,793,488	A	12/1988	Gregerson	
D381,512	S *	7/1997	Green	D3/294
D382,795	S *	8/1997	Abayhan et al.	D9/425
5,749,467	A *	5/1998	Gregerson	206/445
D416,794	S *	11/1999	Cormack	D9/425
D430,023	S *	8/2000	Shurtleff et al.	D9/425
D500,924	S *	1/2005	Martin et al.	D3/302
D505,840	S *	6/2005	Schultz et al.	D7/629
D510,263	S *	10/2005	Isono et al.	D9/425

7,100,788	B2 *	9/2006	Cadiente et al.	220/366.1
7,104,416	B2 *	9/2006	Gasco et al.	220/608
2003/0221985	A1	12/2003	Yajima et al.	

OTHER PUBLICATIONS

Austrian Patent Office Search Report and Written Opinion for Application No. 200805798-6 mail Oct. 21, 2009.

* cited by examiner

Primary Examiner — Stella Reid

Assistant Examiner — Derrick Holland

(74) *Attorney, Agent, or Firm* — Carlson, Gaskey & Olds PC

(57) **CLAIM**

We claim the ornamental design for the container, as shown and described.

DESCRIPTION

FIG. 1 is a perspective view of a container showing our new design;

FIG. 2 is a top plan view thereof;

FIG. 3 is a bottom plan view thereof;

FIG. 4 is a left side elevation view thereof, the right side being a mirror image;

FIG. 5 is a front elevation view thereof, the rear being a mirror image;

FIG. 6 is a cross-sectional view thereof, taken along the lines 6—6 of FIG. 5;

FIG. 7 is a cross-sectional view thereof, taken along the lines 7—7 of FIG. 4;

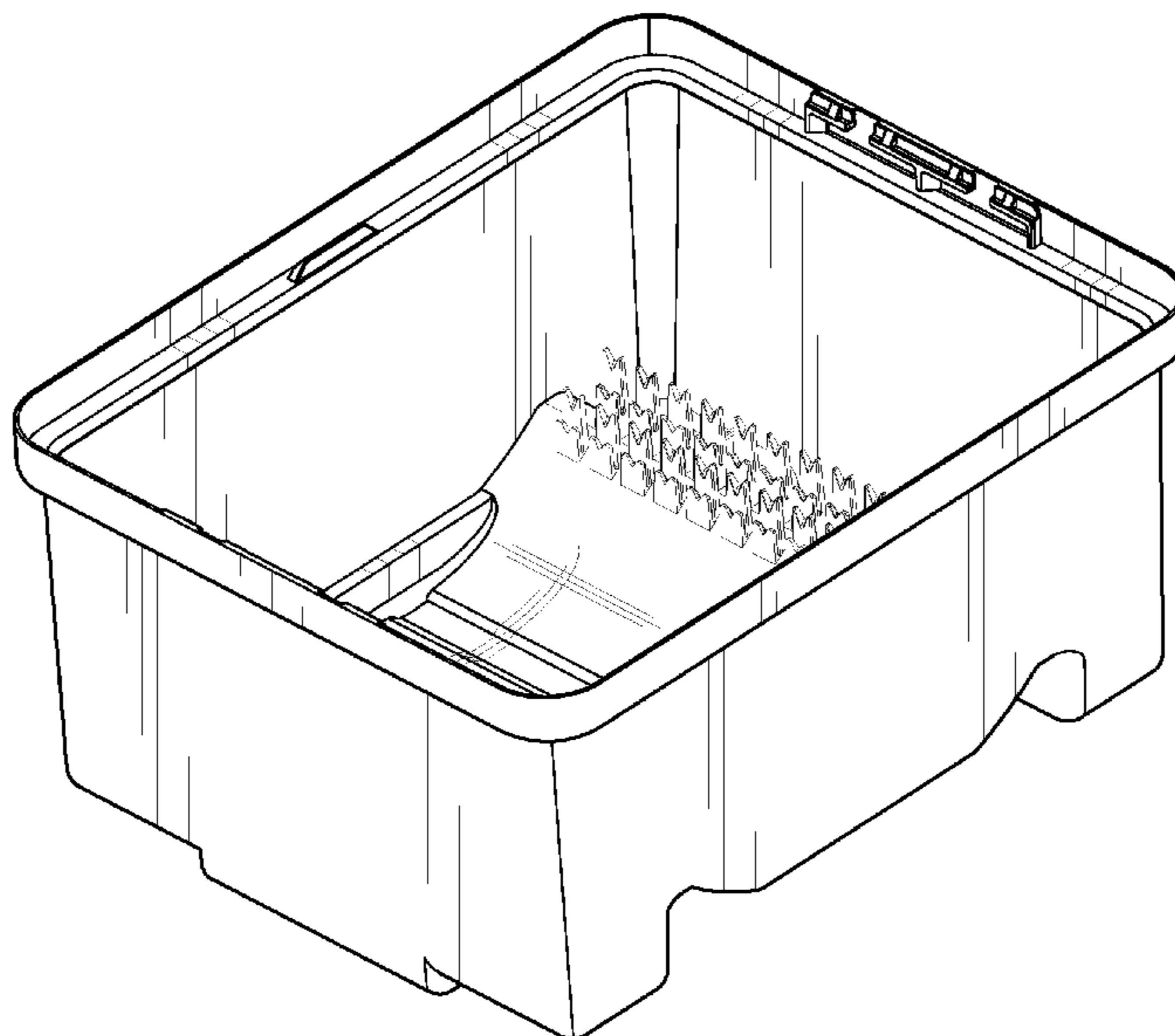
FIG. 8 is a bottom perspective view thereof, shown in environmental use;

FIG. 9 is a front elevation view thereof, shown in environmental use; and,

FIG. 10 is a side elevation view thereof, shown in environmental use.

The broken lines shown represent unclaimed subject matter and form no part of the claimed design.

1 Claim, 5 Drawing Sheets



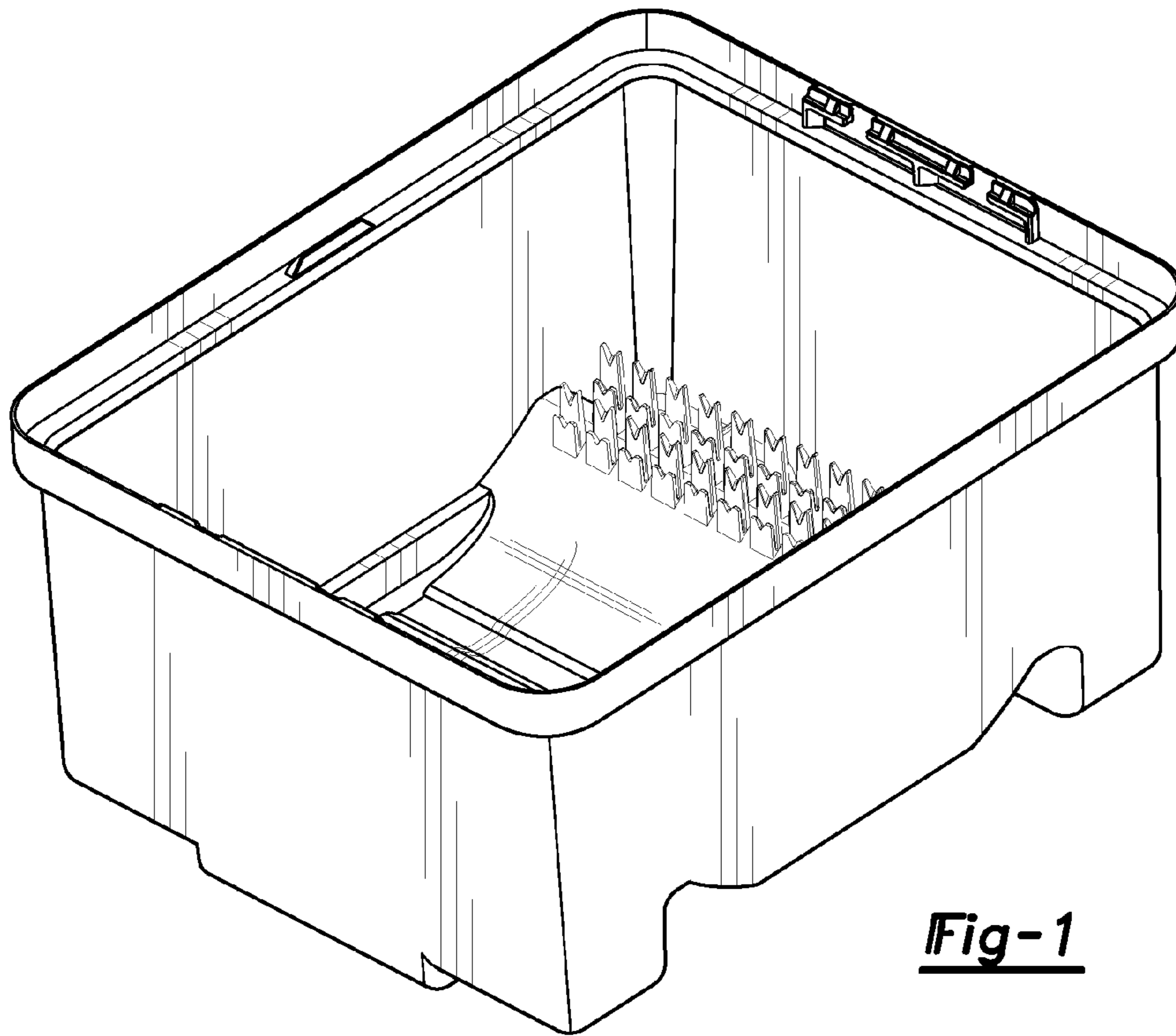


Fig-1

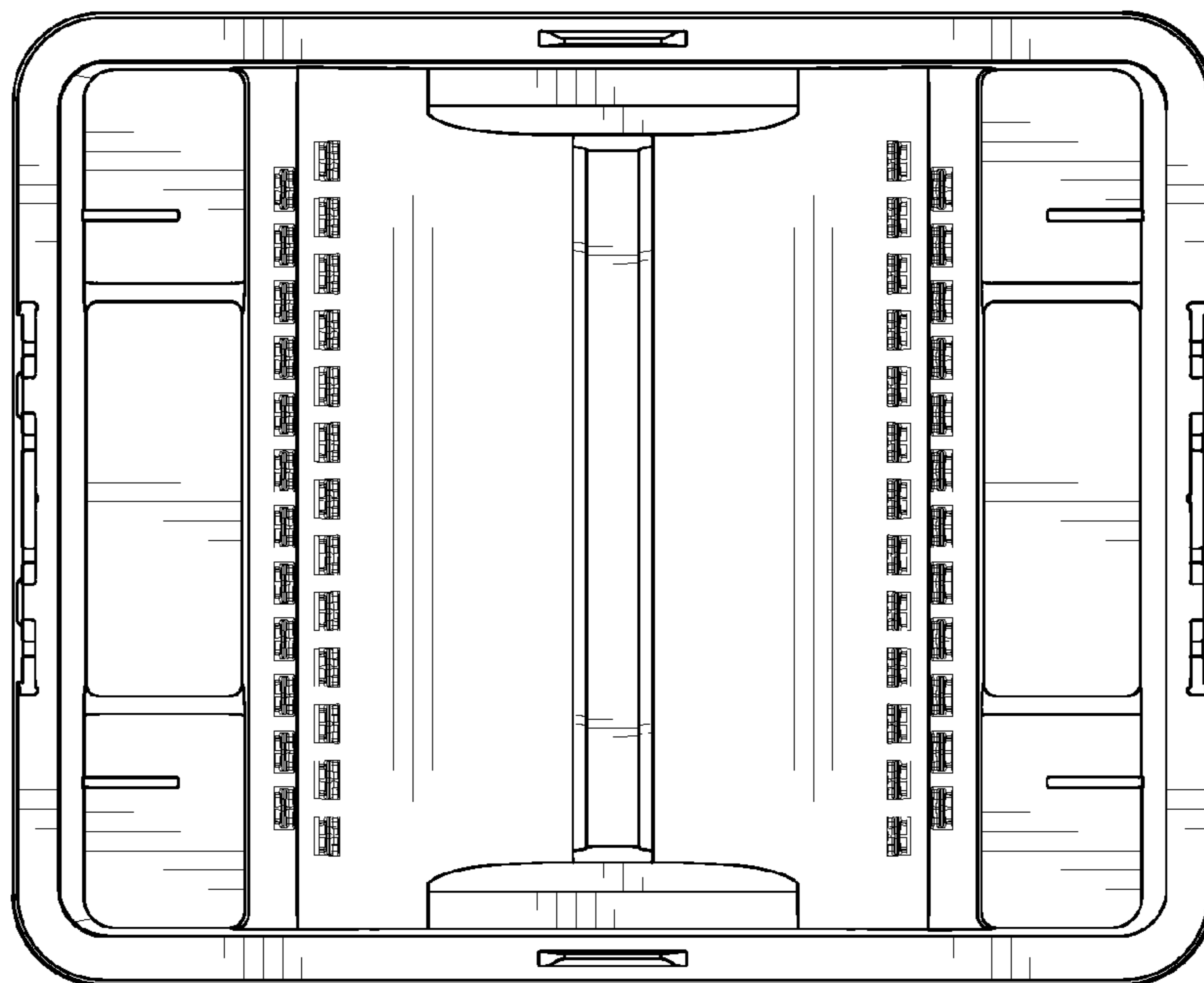


Fig-2

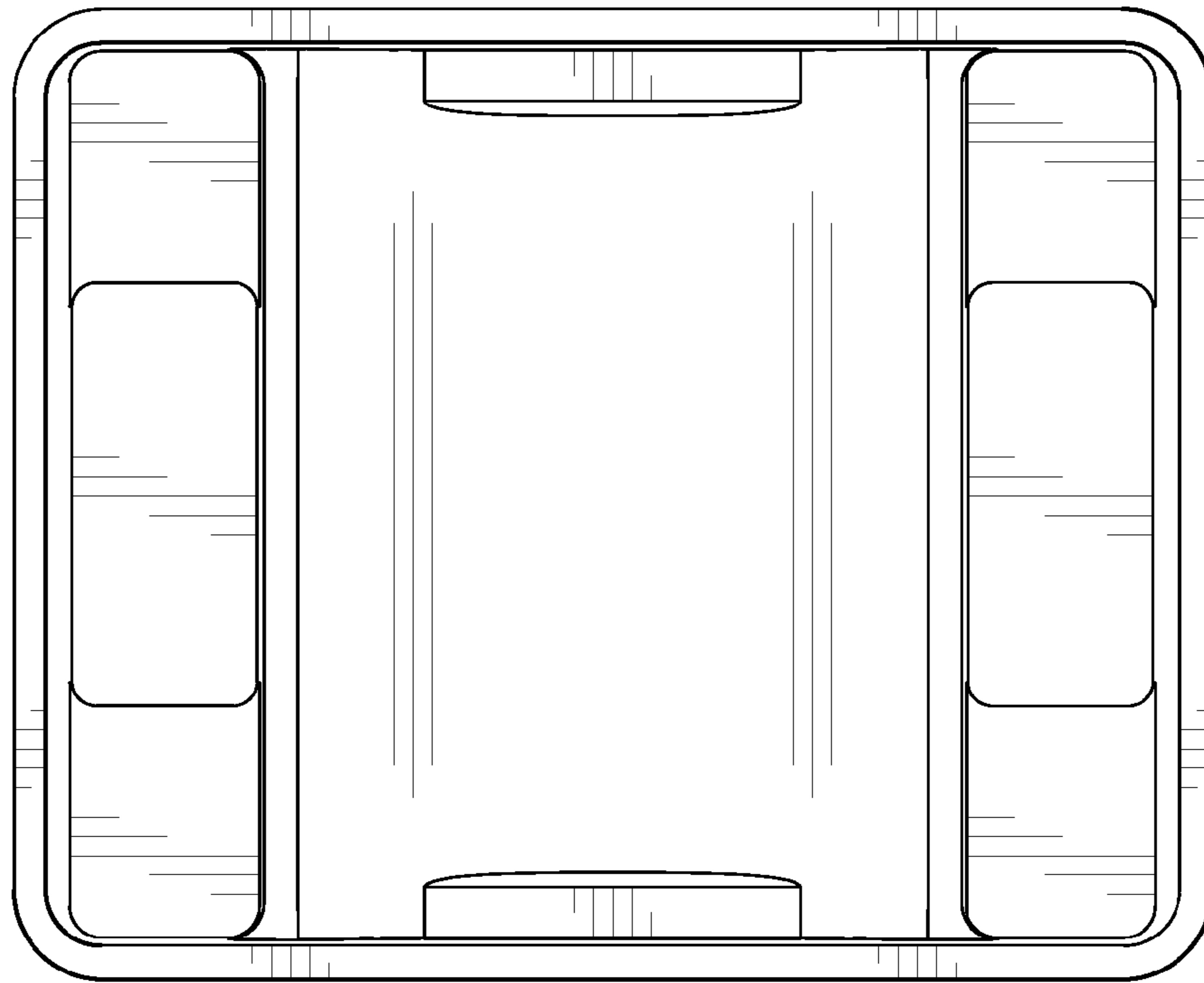


Fig-3

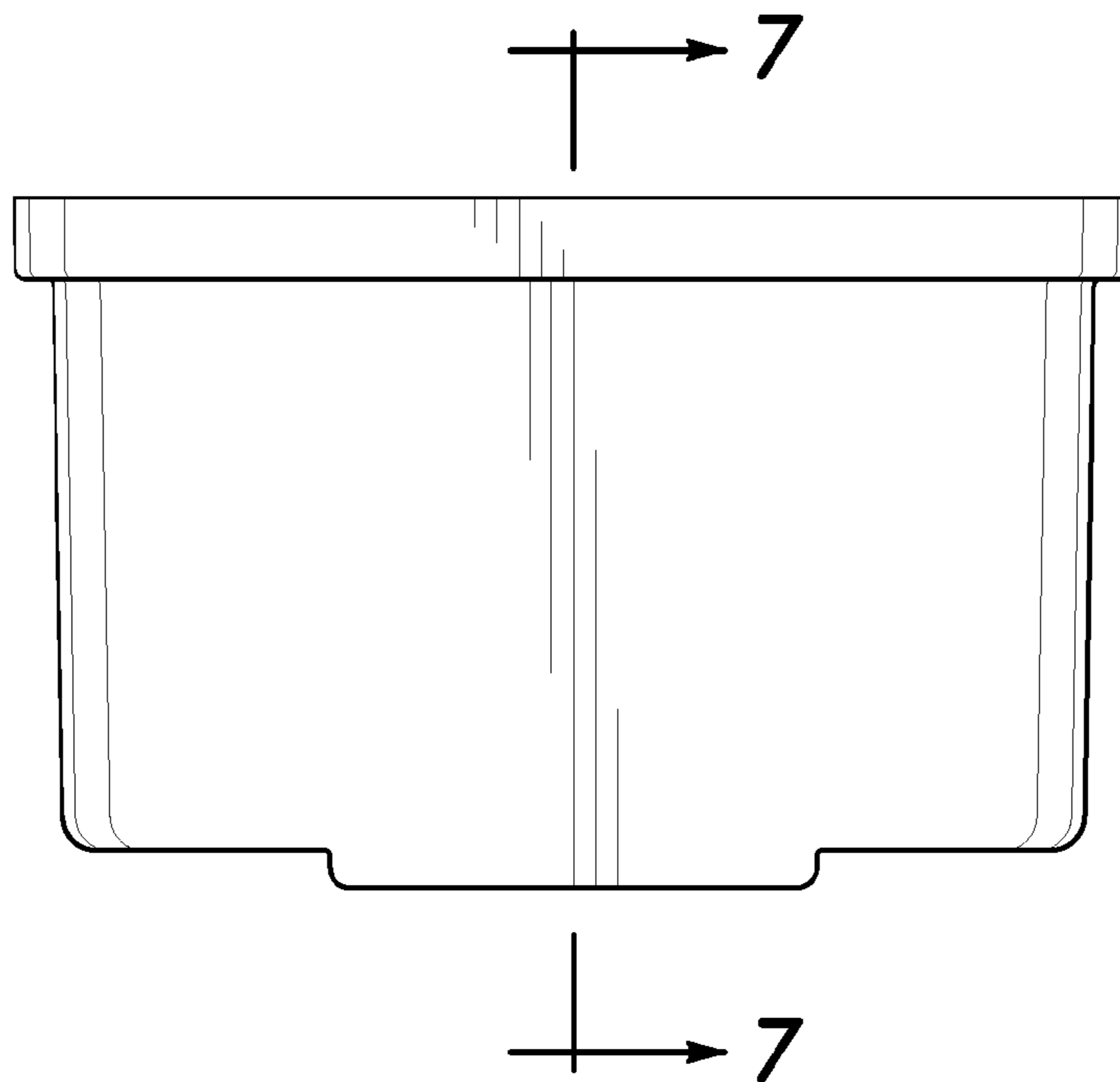


Fig-4

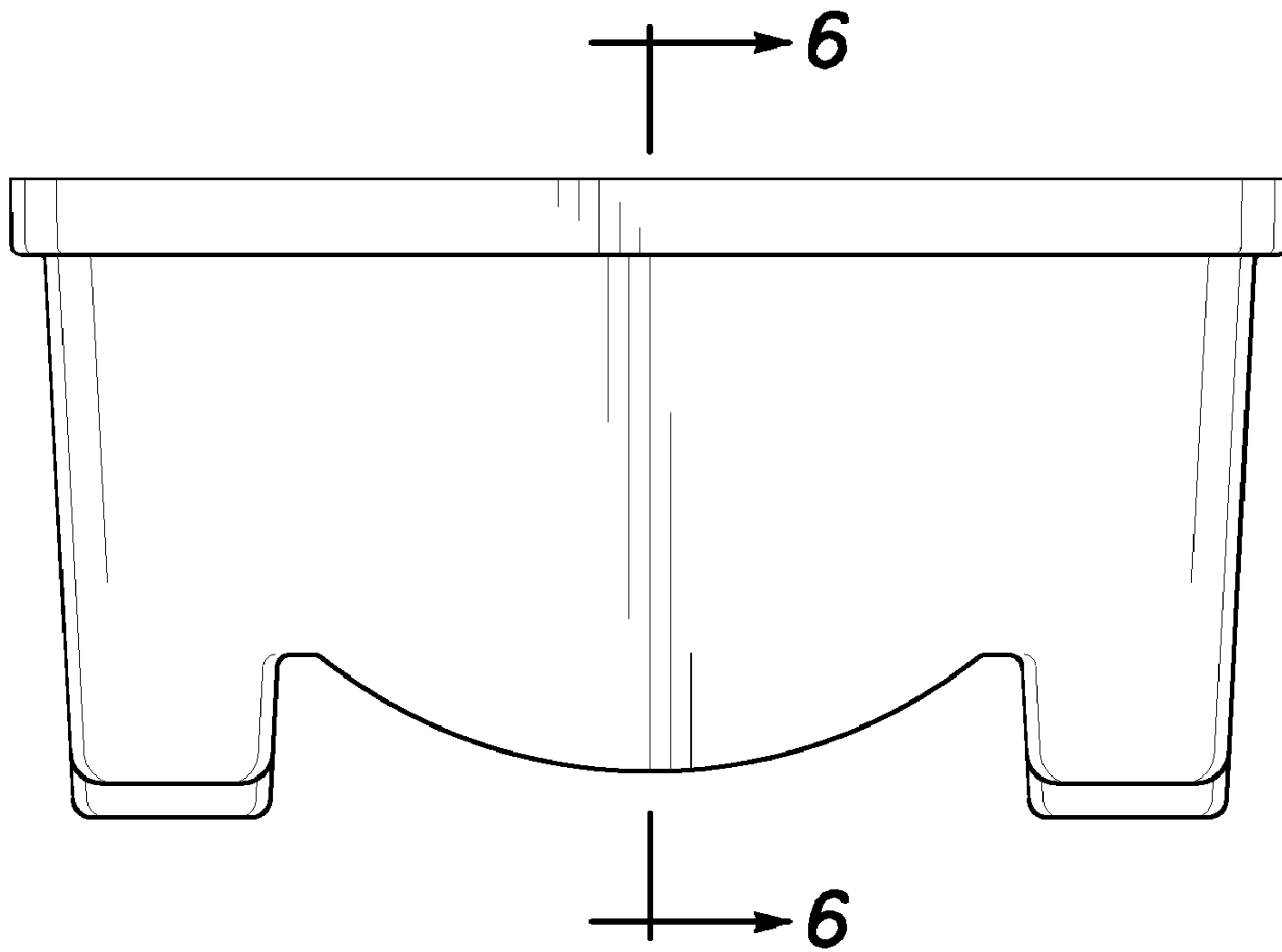


Fig-5

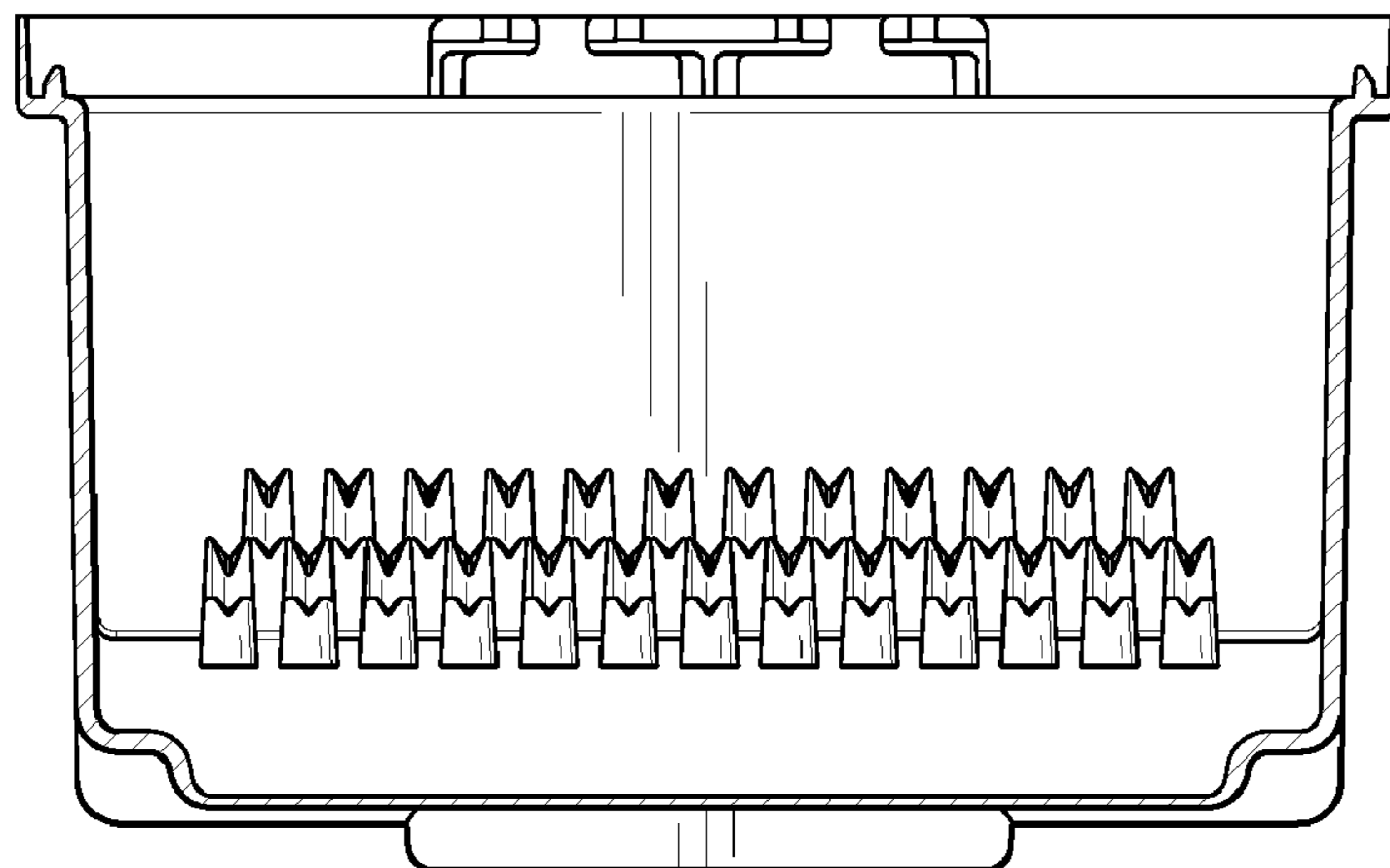


Fig-6

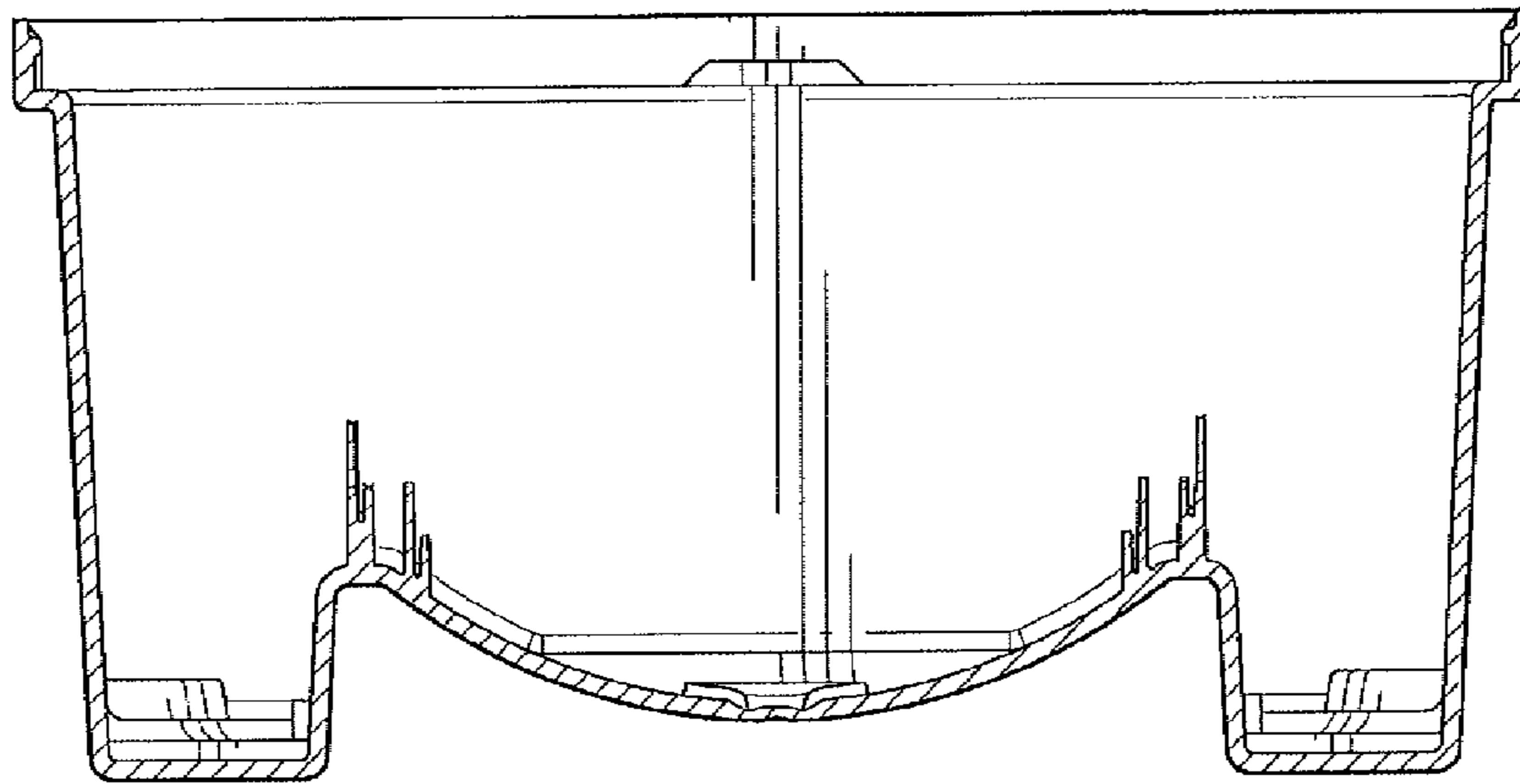


Fig-7

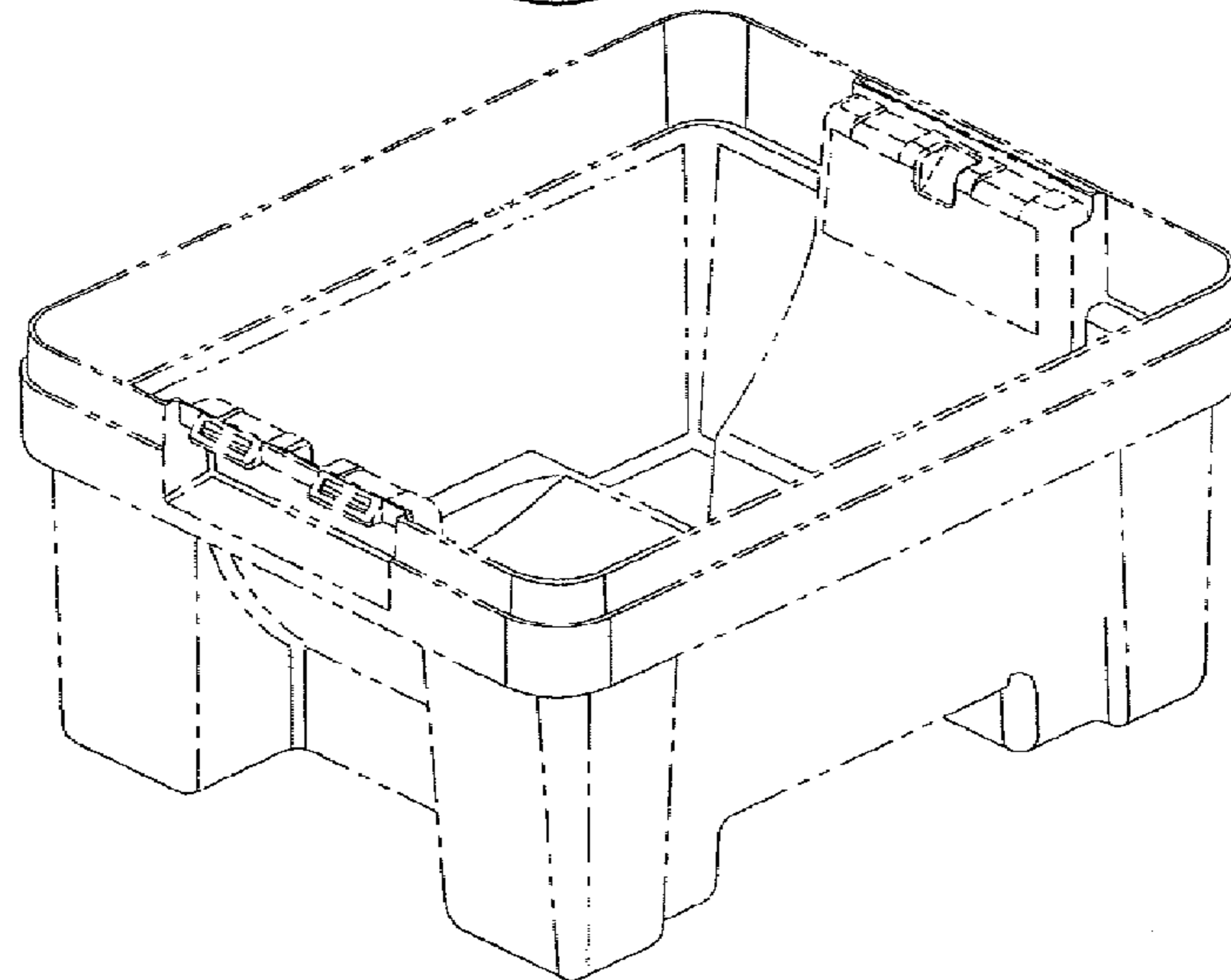
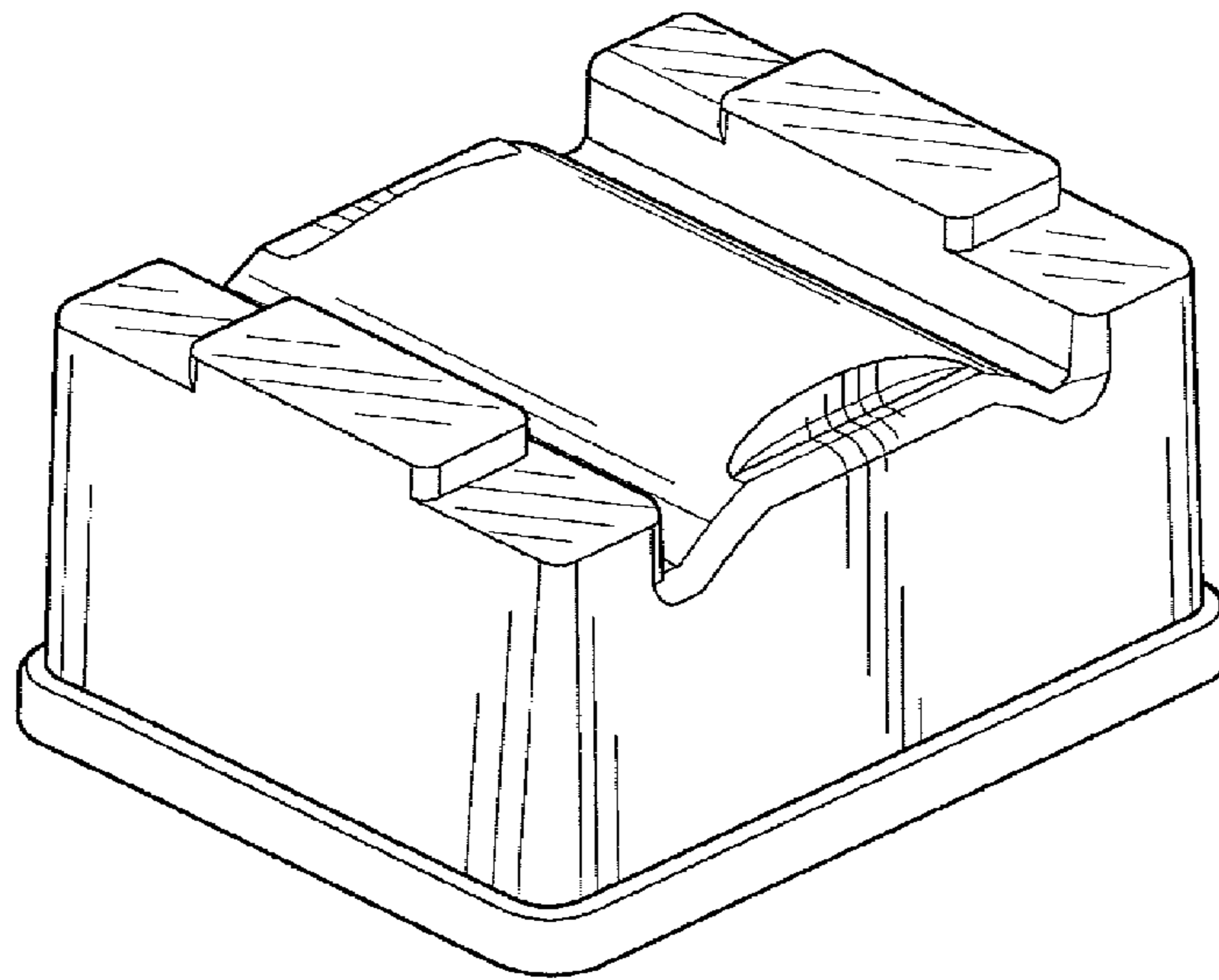


Fig-8

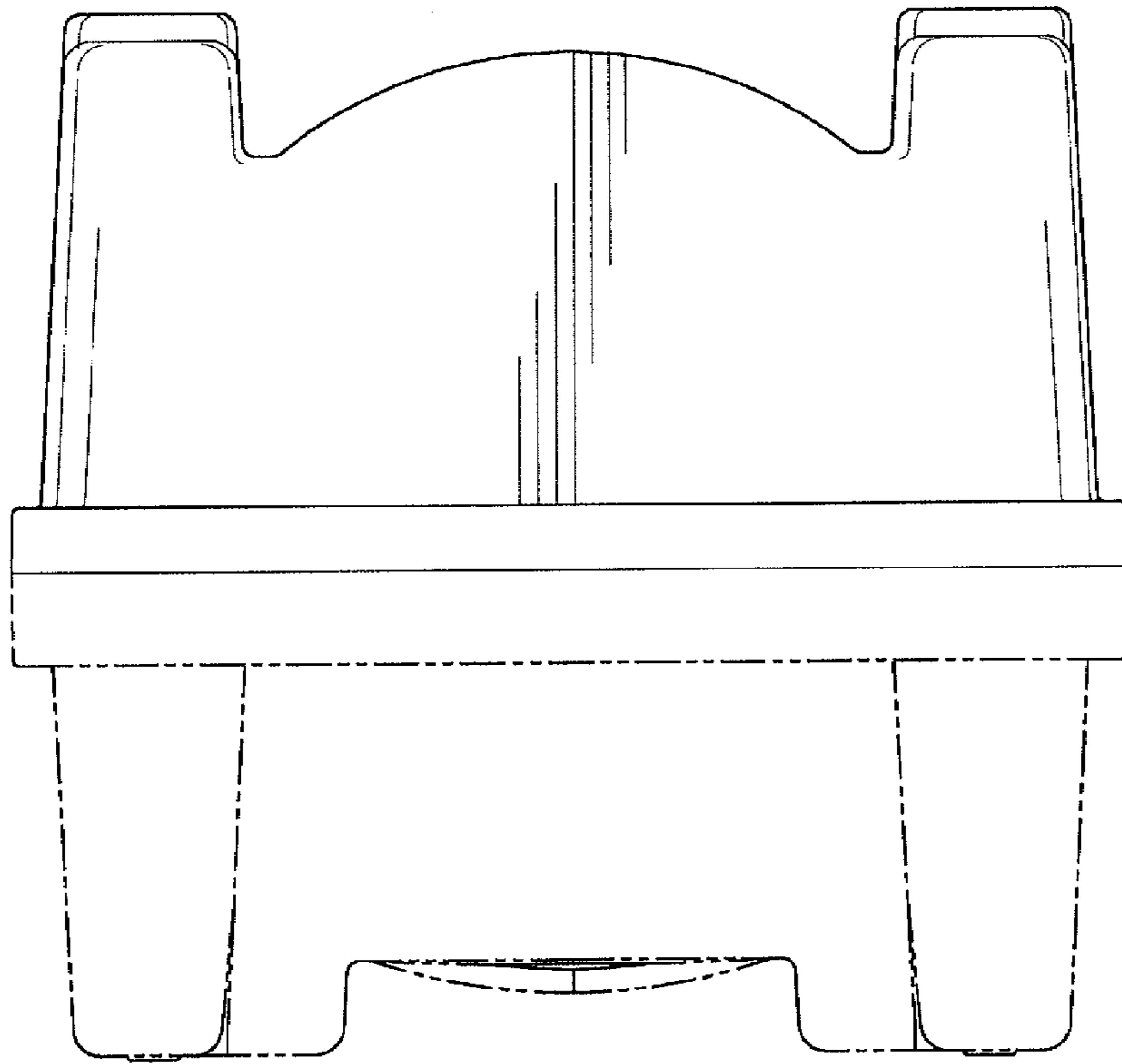


Fig-9

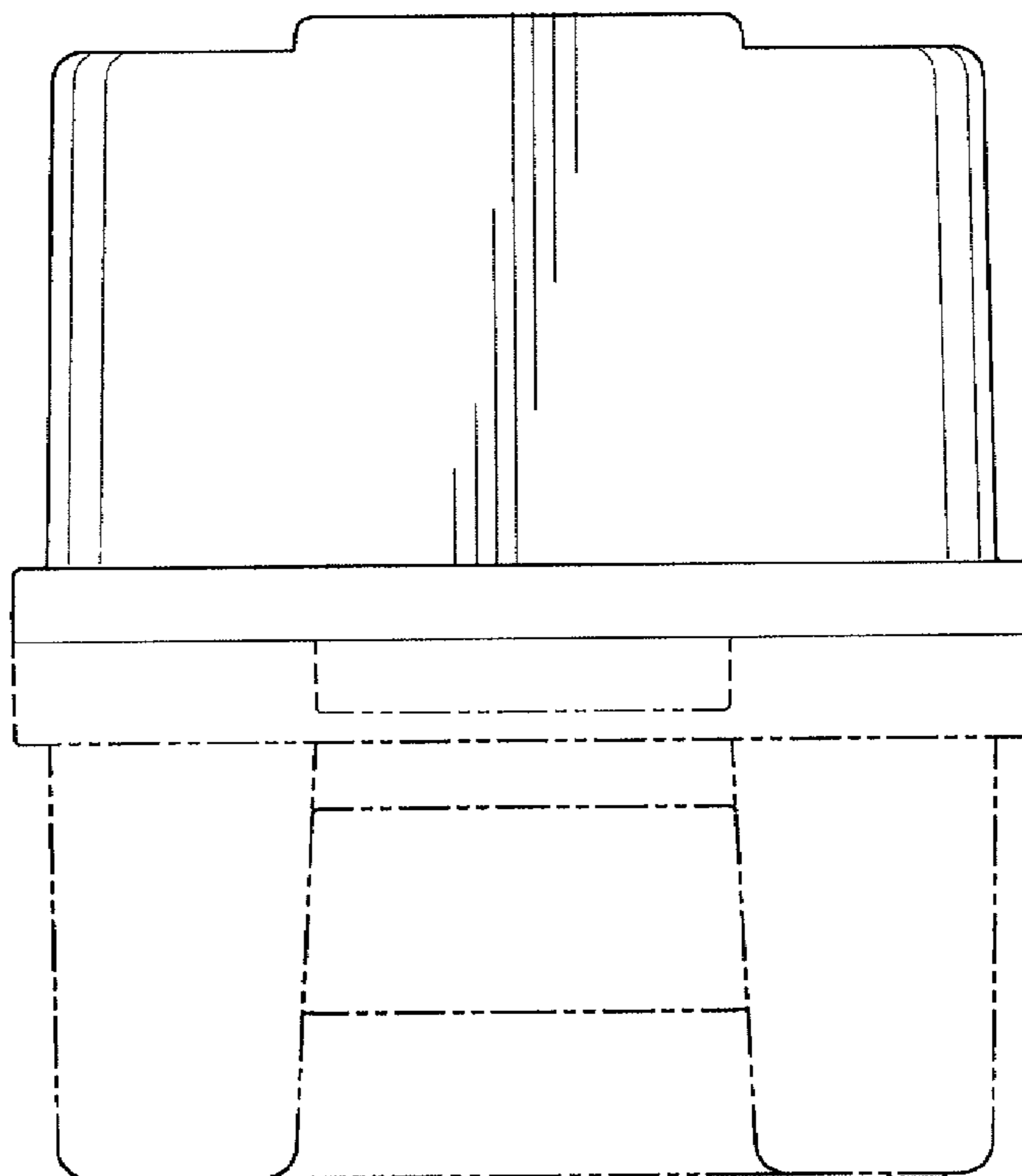


Fig-10