



US00D639152S

(12) **United States Design Patent**
Watts

(10) **Patent No.:** **US D639,152 S**

(45) **Date of Patent:** **** Jun. 7, 2011**

(54) **FASTENER**

(75) Inventor: **Billy D. Watts**, Corrales, NM (US)

(73) Assignee: **Data Center Transitions, Inc.**,
Corrales, NM (US)

(**) Term: **14 Years**

(21) Appl. No.: **29/367,593**

(22) Filed: **Aug. 10, 2010**

(51) **LOC (9) Cl.** **08-08**

(52) **U.S. Cl.** **D8/387**

(58) **Field of Classification Search** D8/387;
411/403, 337, 378, 410, 402, 411

See application file for complete search history.

(56) **References Cited**

U.S. PATENT DOCUMENTS

3,919,603	A	11/1975	Salvati et al.	
D415,016	S *	10/1999	Murguia	D8/387
5,997,117	A	12/1999	Krietzman	
6,168,249	B1	1/2001	Chien	
D454,952	S *	3/2002	Ku et al.	D24/155
6,471,308	B1	10/2002	Konshak et al.	
D532,178	S *	11/2006	Martin	D34/31

7,293,949	B2 *	11/2007	Dilling	411/404
7,316,461	B2	1/2008	Wyatt et al.	
D622,582	S *	8/2010	Lottner et al.	D8/387
D631,736	S *	2/2011	You	D8/387
2002/0153335	A1	10/2002	Robideau	
2002/0153814	A1	10/2002	Robideau	

* cited by examiner

Primary Examiner — Holly H Baynham

Assistant Examiner — Sheryl Lane

(74) *Attorney, Agent, or Firm* — Justin R. Jackson; Peacock Myers, P.C.

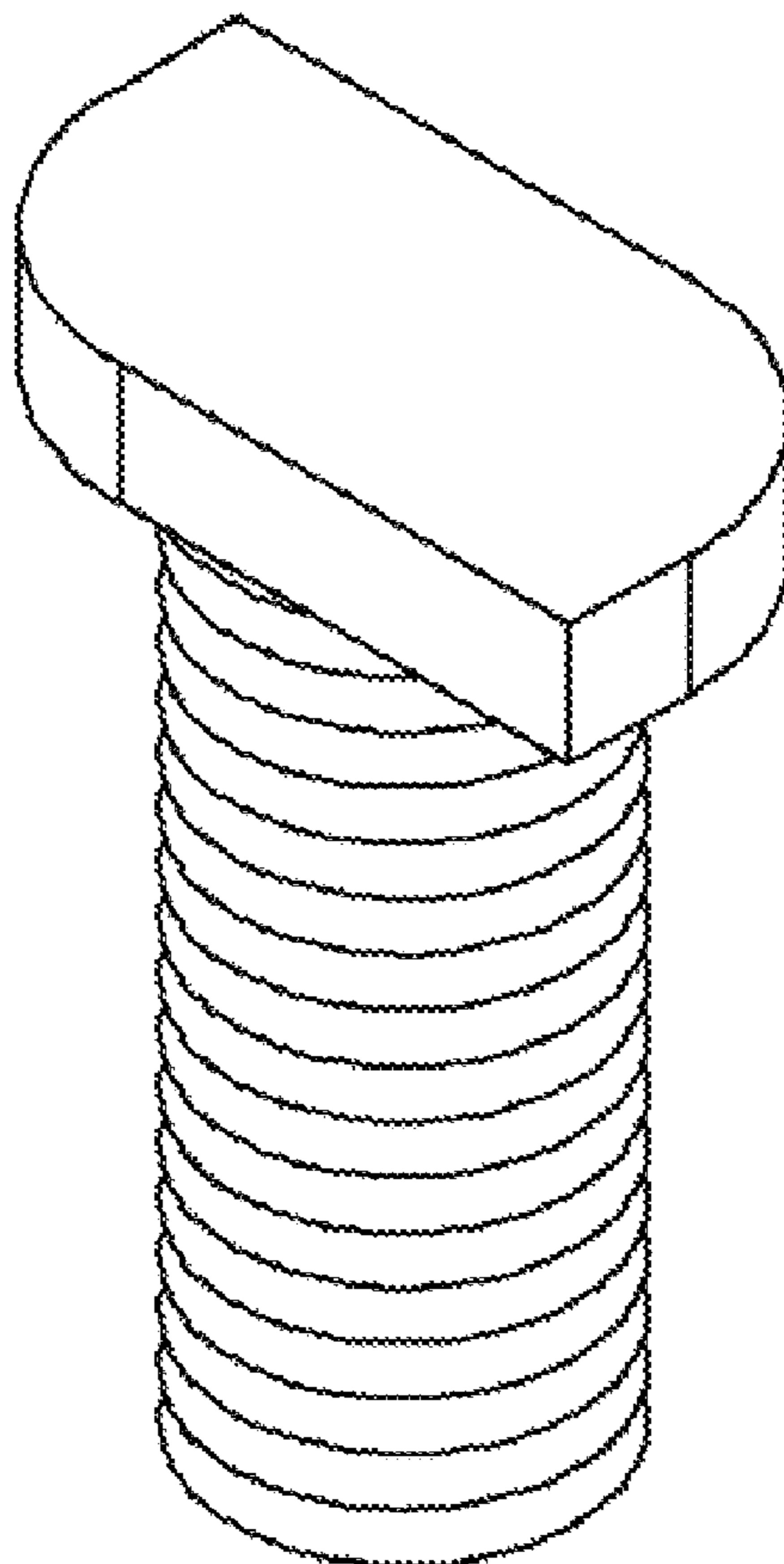
(57) **CLAIM**

I claim the ornamental design for a fastener, as shown and described.

DESCRIPTION

FIG. 1 is a top view of the fastener embodying my new design; FIG. 2 is a bottom view thereof; FIG. 3 is a left view thereof; FIG. 4 is a right view thereof; FIG. 5 is a front view thereof; FIG. 6 is a back view thereof; FIG. 7 is a left perspective view thereof; and, FIG. 8 is a right perspective view thereof.

1 Claim, 8 Drawing Sheets



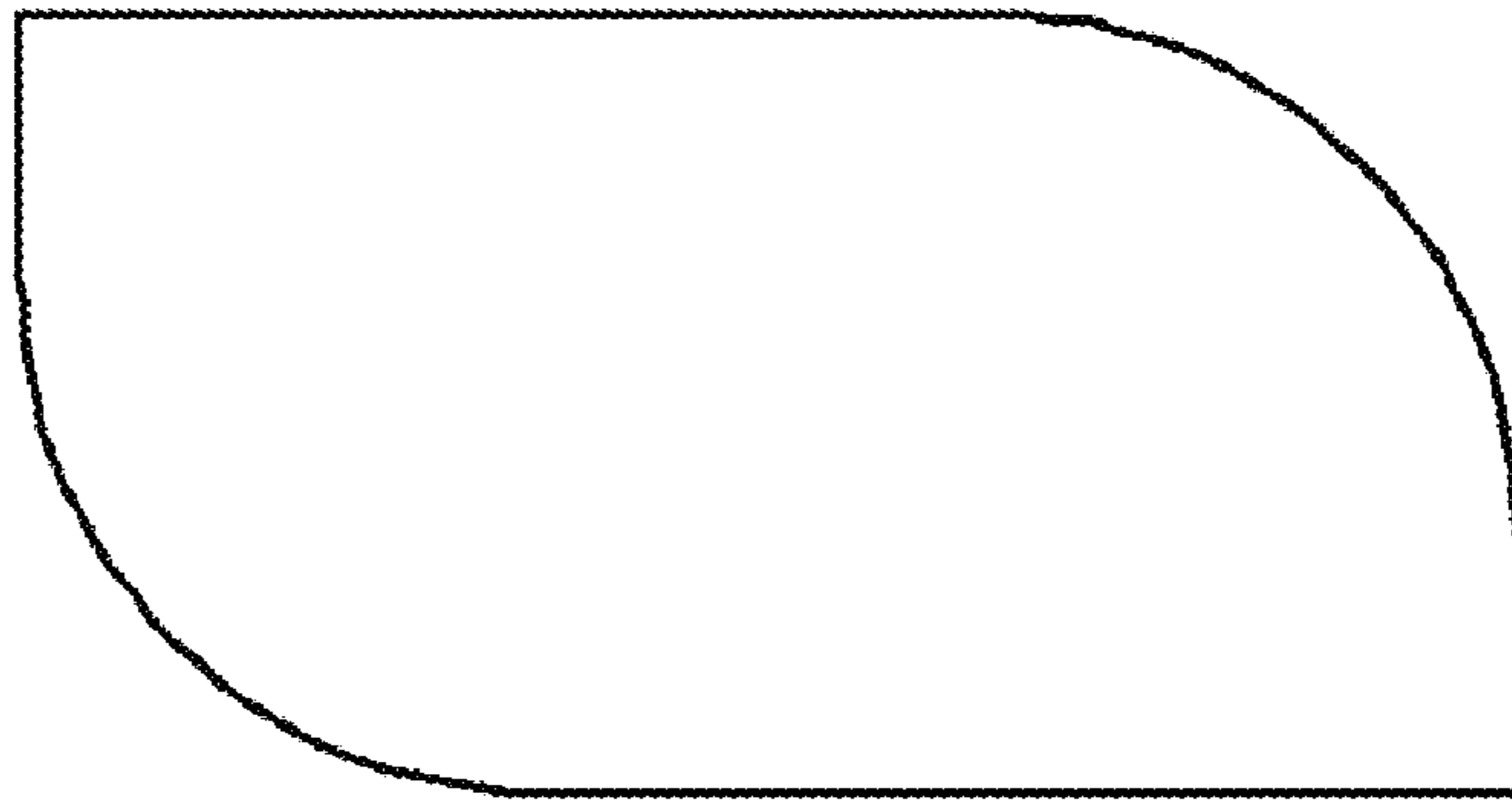


Fig. 1

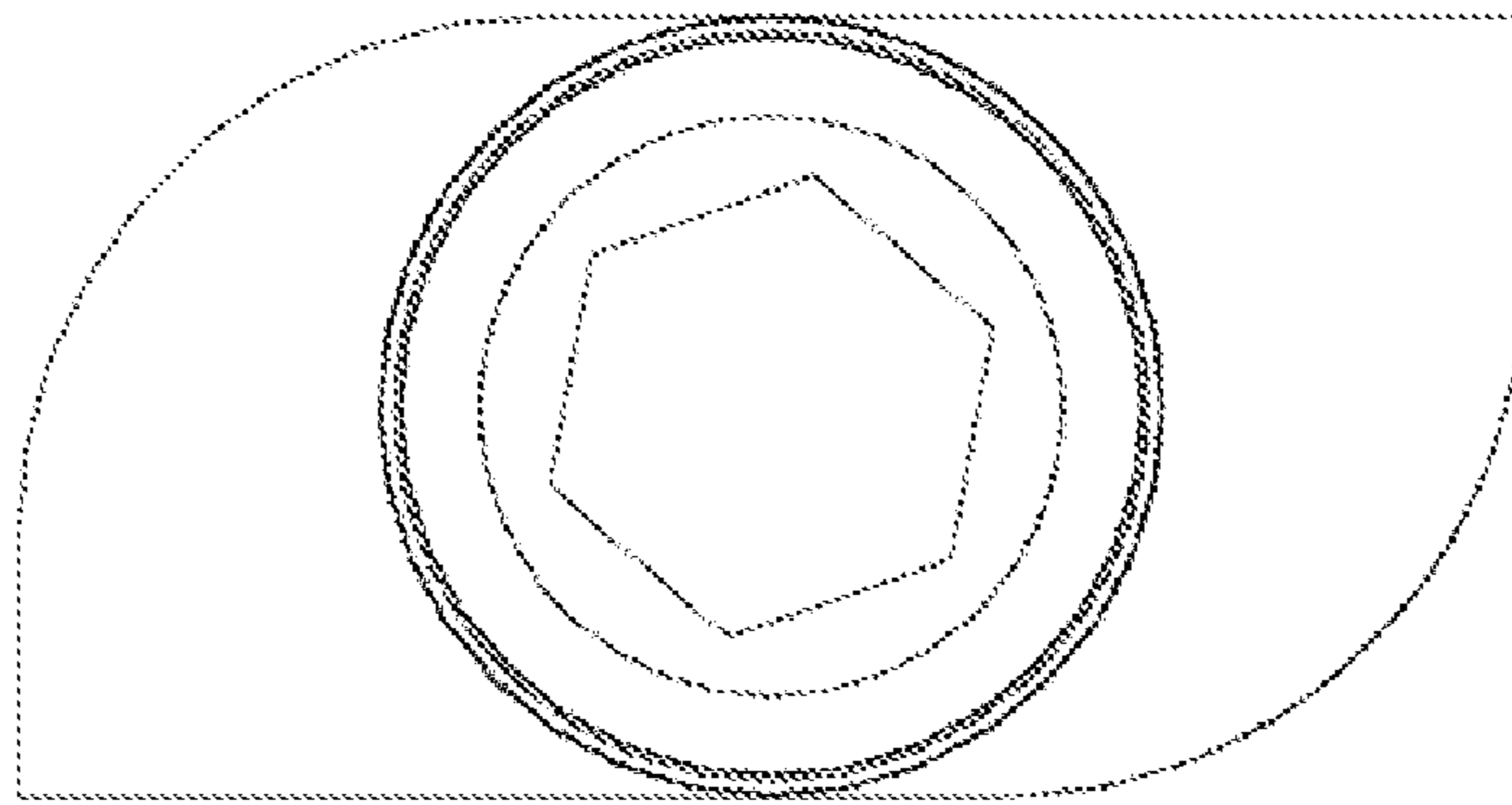


Fig. 2

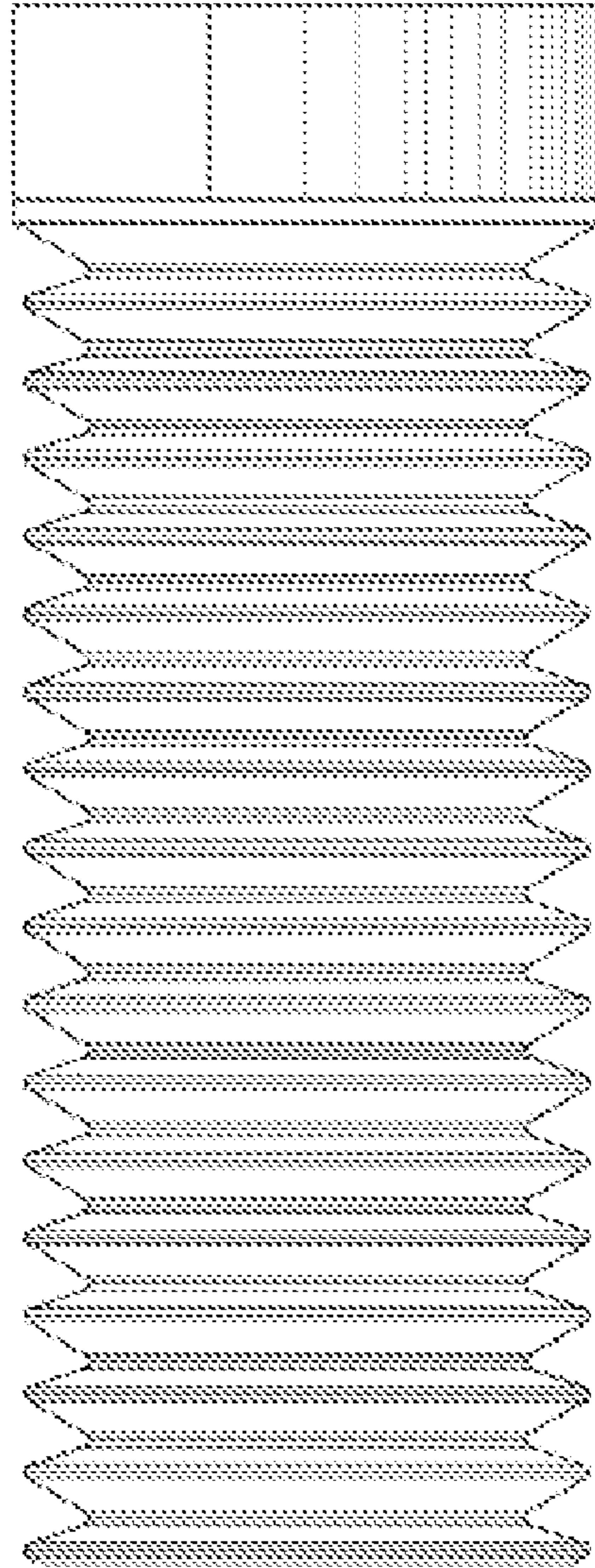


Fig. 3

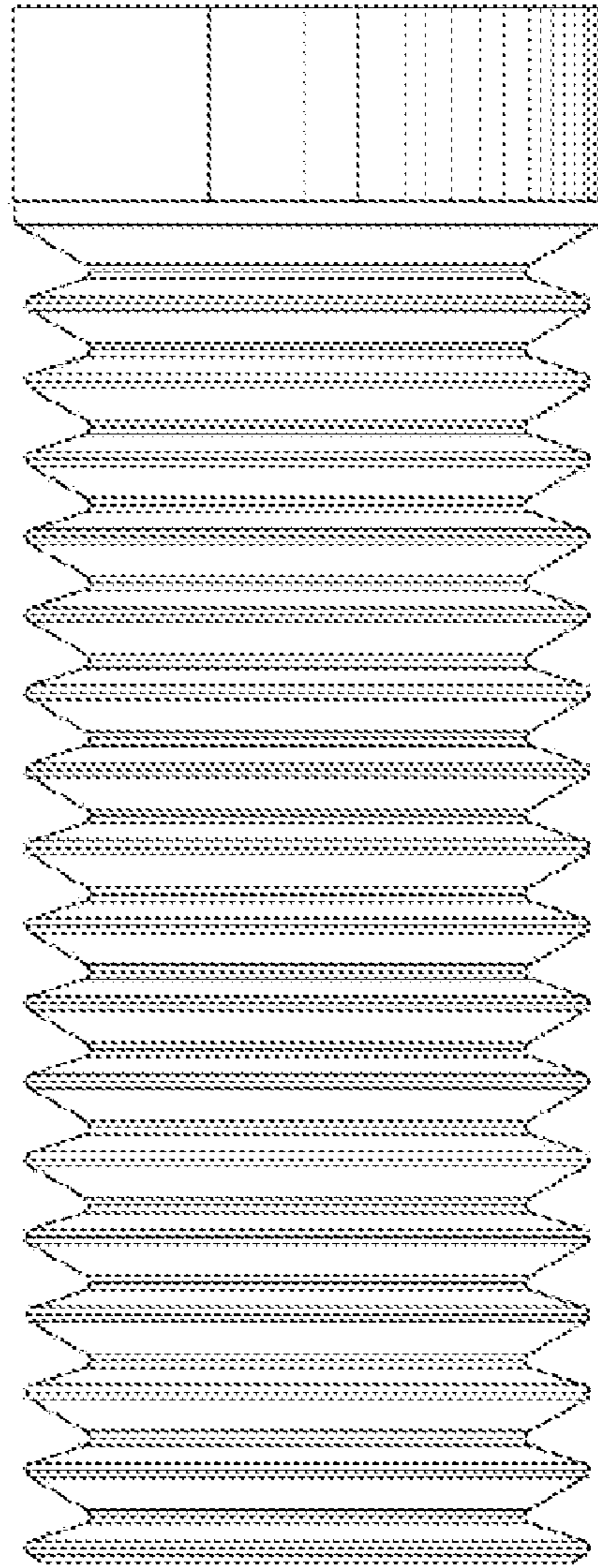


Fig. 4

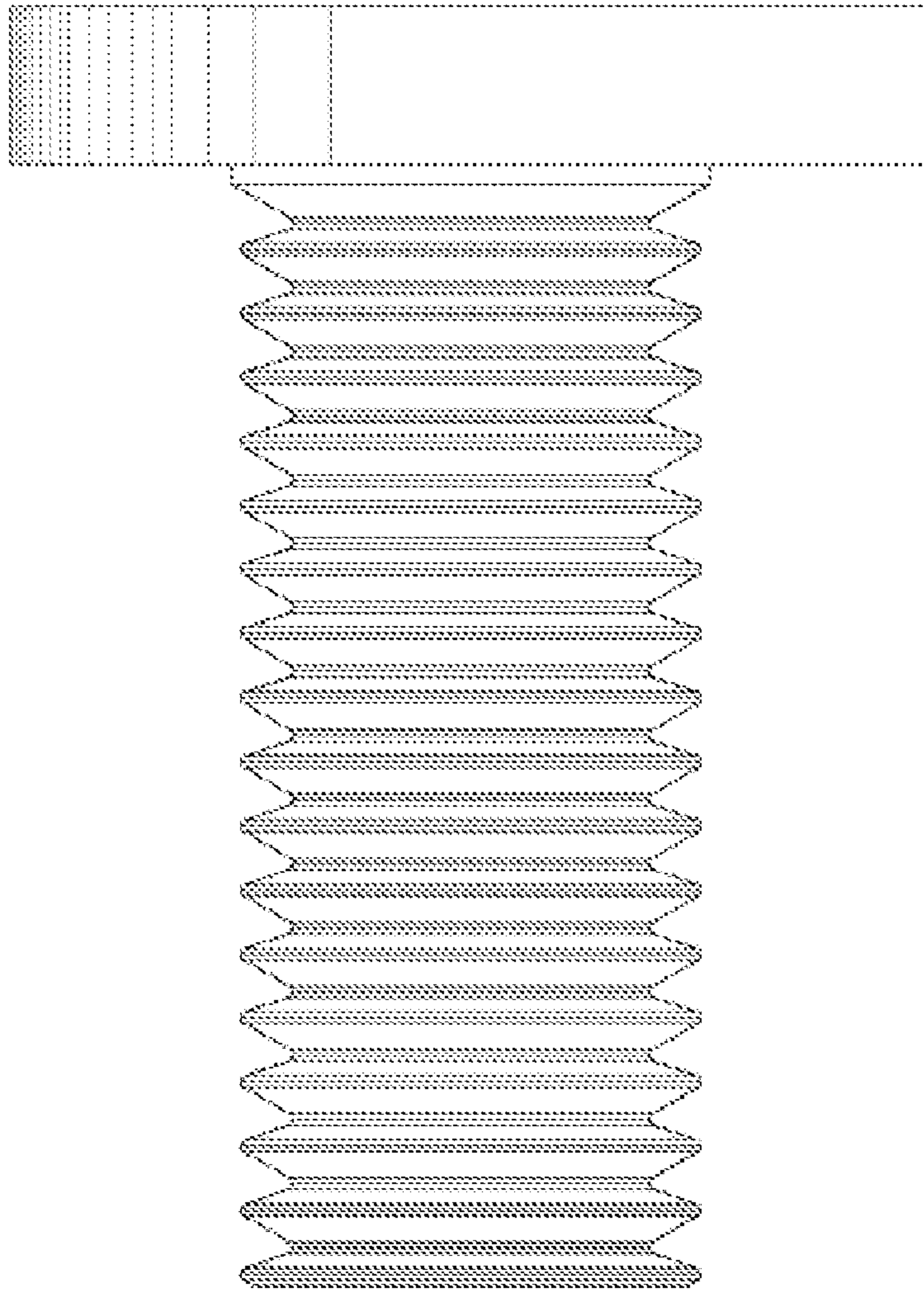


Fig. 5

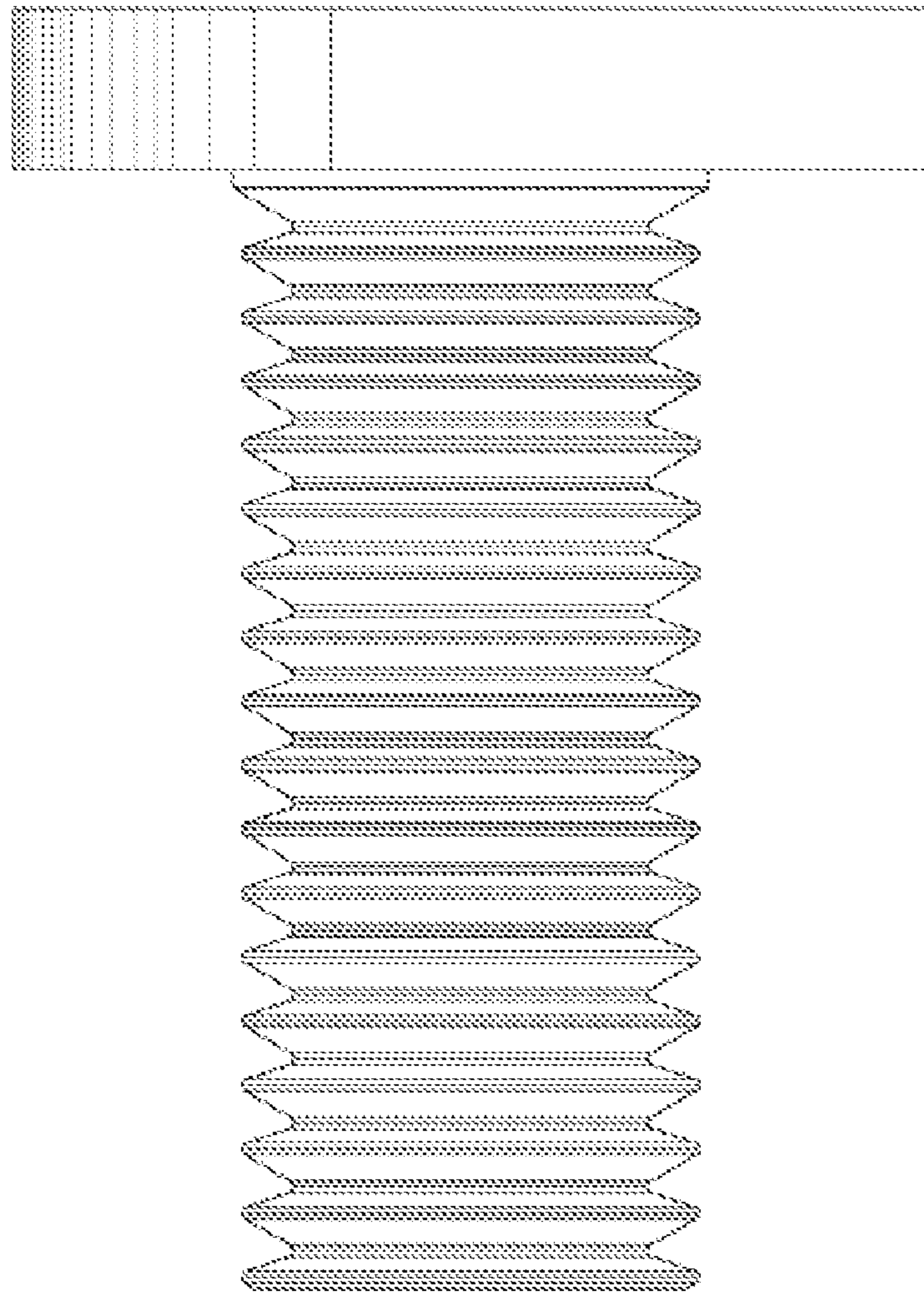


Fig. 6

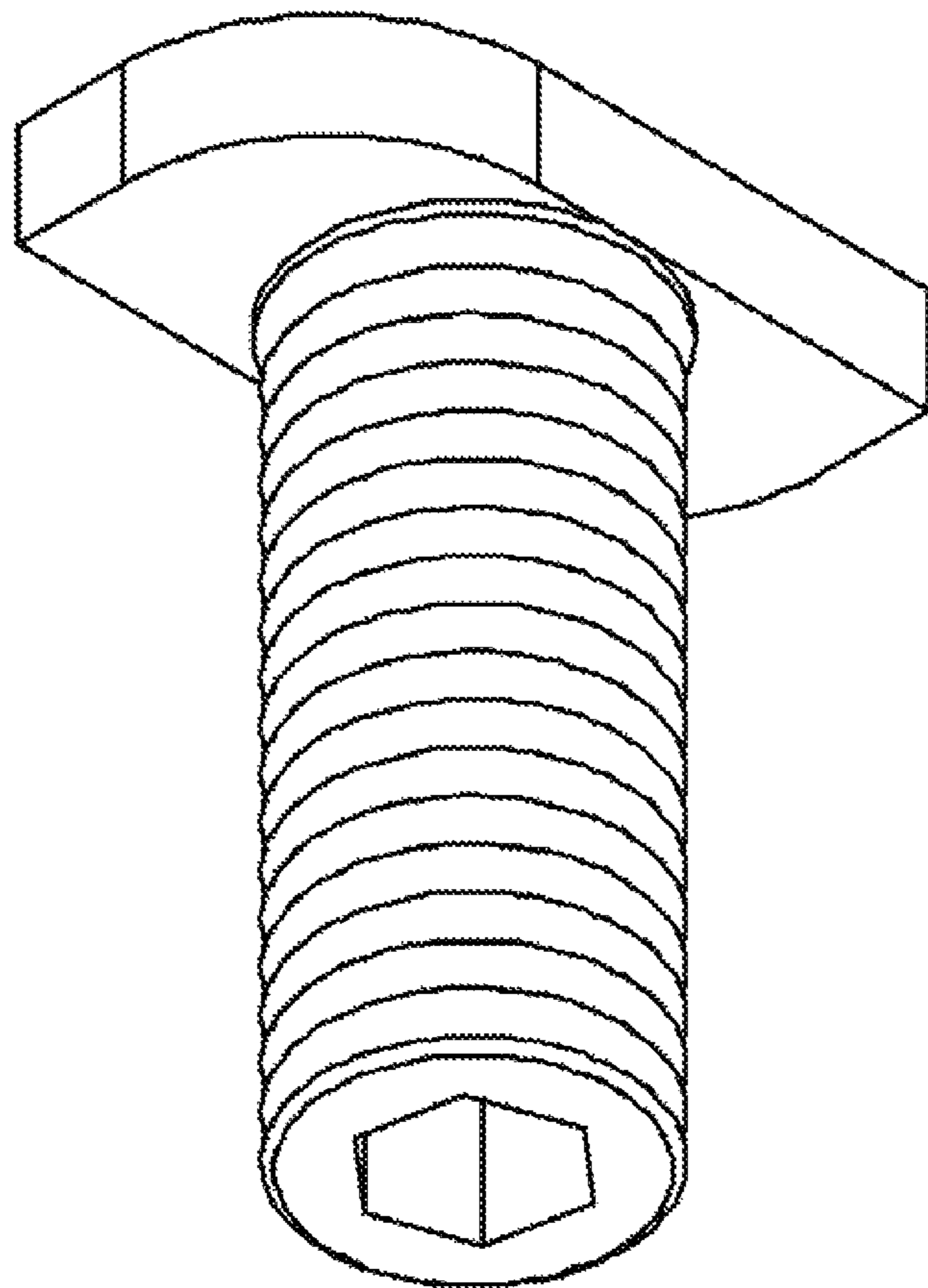


Fig. 7

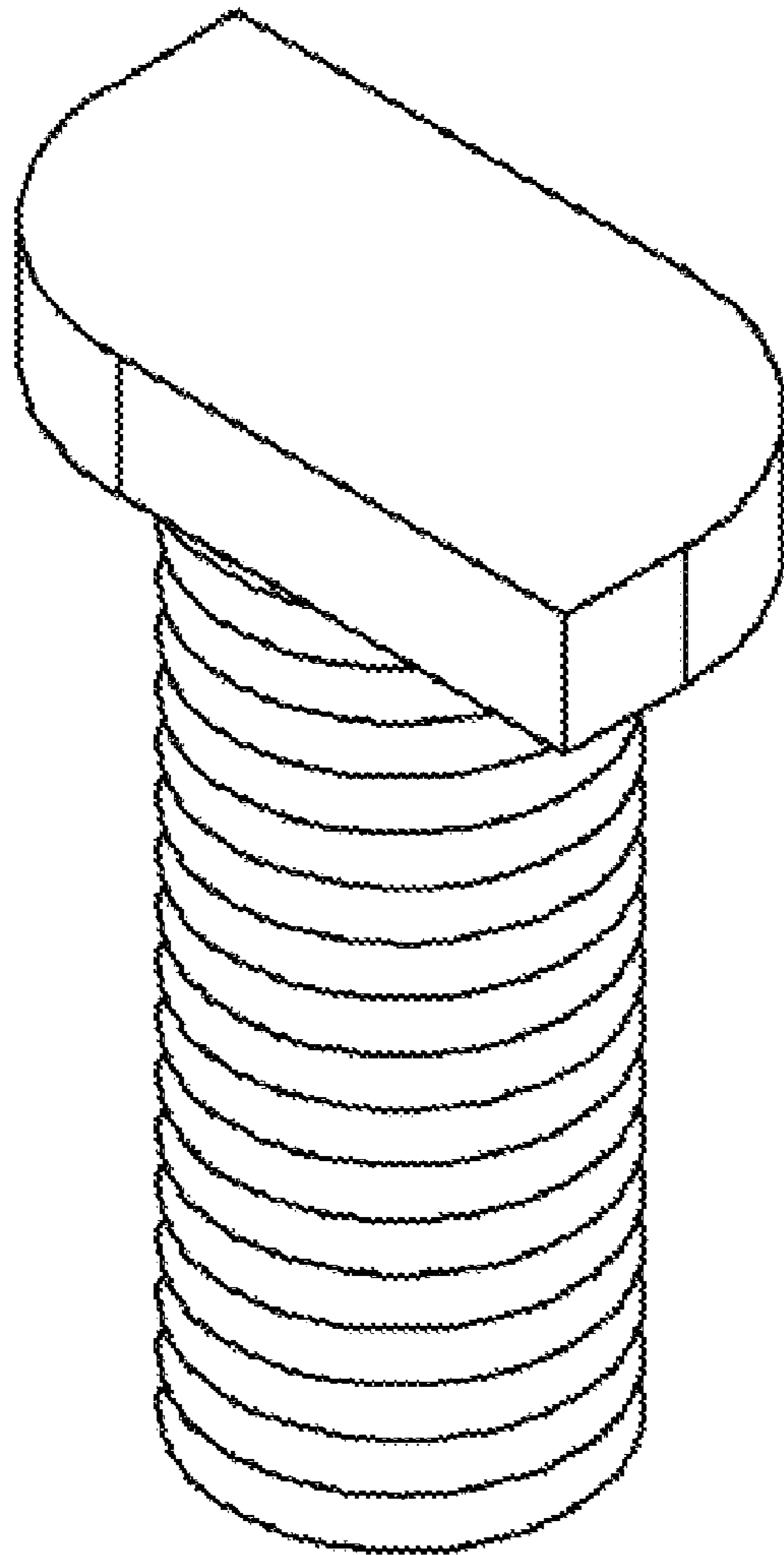


Fig. 8