



US00D639149S

(12) **United States Design Patent**
Schioppa

(10) **Patent No.:** **US D639,149 S**

(45) **Date of Patent:** **** Jun. 7, 2011**

(54) **CASTER**

(75) Inventor: **Roberto Nicola Schioppa**, Sao Paulo (BR)

(73) Assignee: **Metalúrgica Schioppa LTDA.**, São Paulo (BR)

(**) Term: **14 Years**

(21) Appl. No.: **29/370,705**

(22) Filed: **Aug. 24, 2010**

(51) **LOC (9) Cl.** **08-05**

(52) **U.S. Cl.** **D8/375**

(58) **Field of Classification Search** D12/207,
D12/208, 209, 501; D8/375; 16/18 CG,
16/31 R, 22, 29, 18 R, 45, 46, 47; D3/318;
D34/27

See application file for complete search history.

(56) **References Cited**

U.S. PATENT DOCUMENTS

D288,286 S * 2/1987 Screen D8/375
D313,342 S * 1/1991 Screen D8/375

D457,809 S * 5/2002 Holbrook D8/375
D557,121 S * 12/2007 Screen D8/375
D557,123 S * 12/2007 Screen D8/375
D573,451 S * 7/2008 Yang D8/375
2005/0115021 A1 * 6/2005 Tsai 16/31 R
2008/0092329 A1 * 4/2008 Chou 16/45

* cited by examiner

Primary Examiner — Susan Bennett Hattan

(74) *Attorney, Agent, or Firm* — Collard & Roe, P.C.

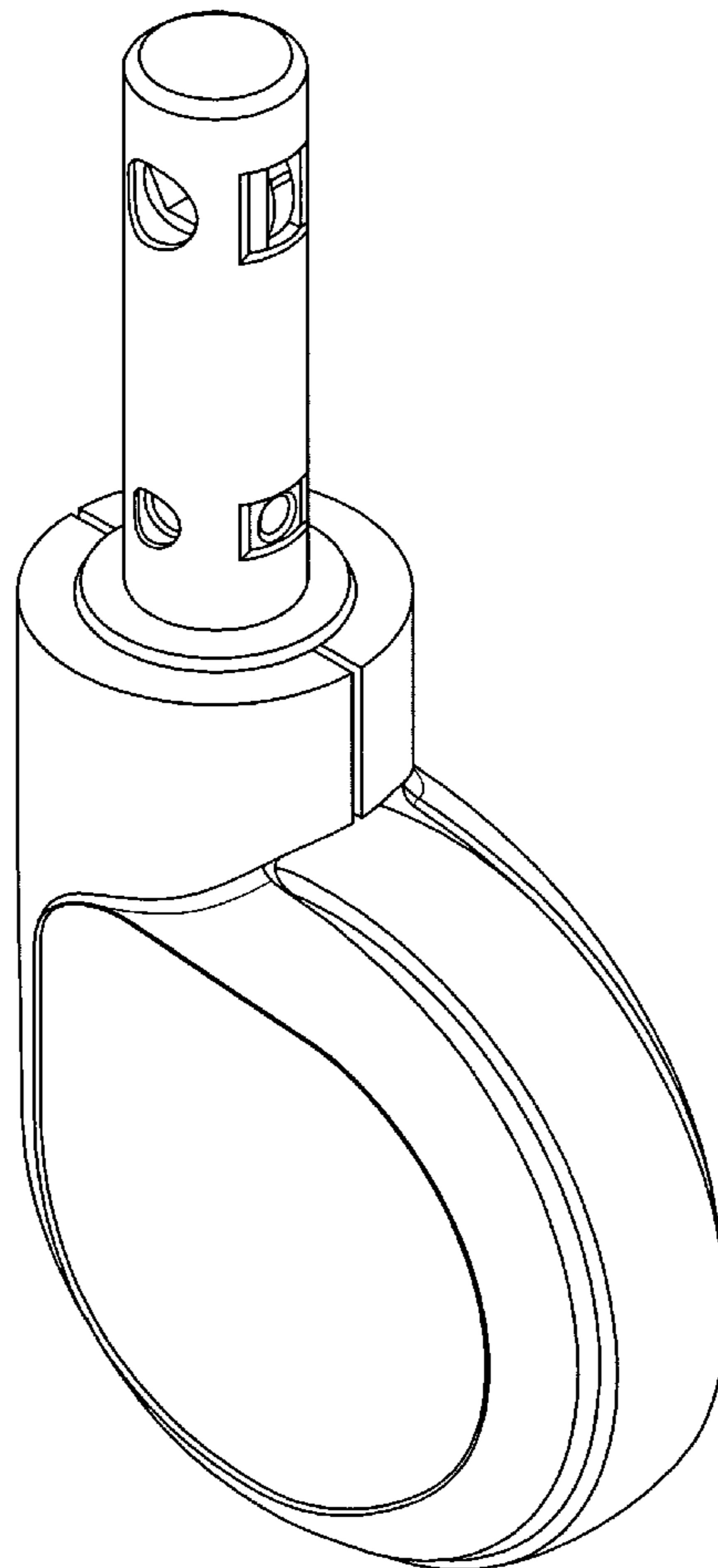
(57) **CLAIM**

The ornamental design for a caster, as shown and described.

DESCRIPTION

FIG. 1 is a top, front and side perspective view of a caster, showing my new design;
FIG. 2 is a side view thereof, with the opposite side view being a mirror image thereof;
FIG. 3 is a front view thereof;
FIG. 4 is a rear view thereof;
FIG. 5 is a top view thereof; and,
FIG. 6 is a bottom view thereof.

1 Claim, 3 Drawing Sheets



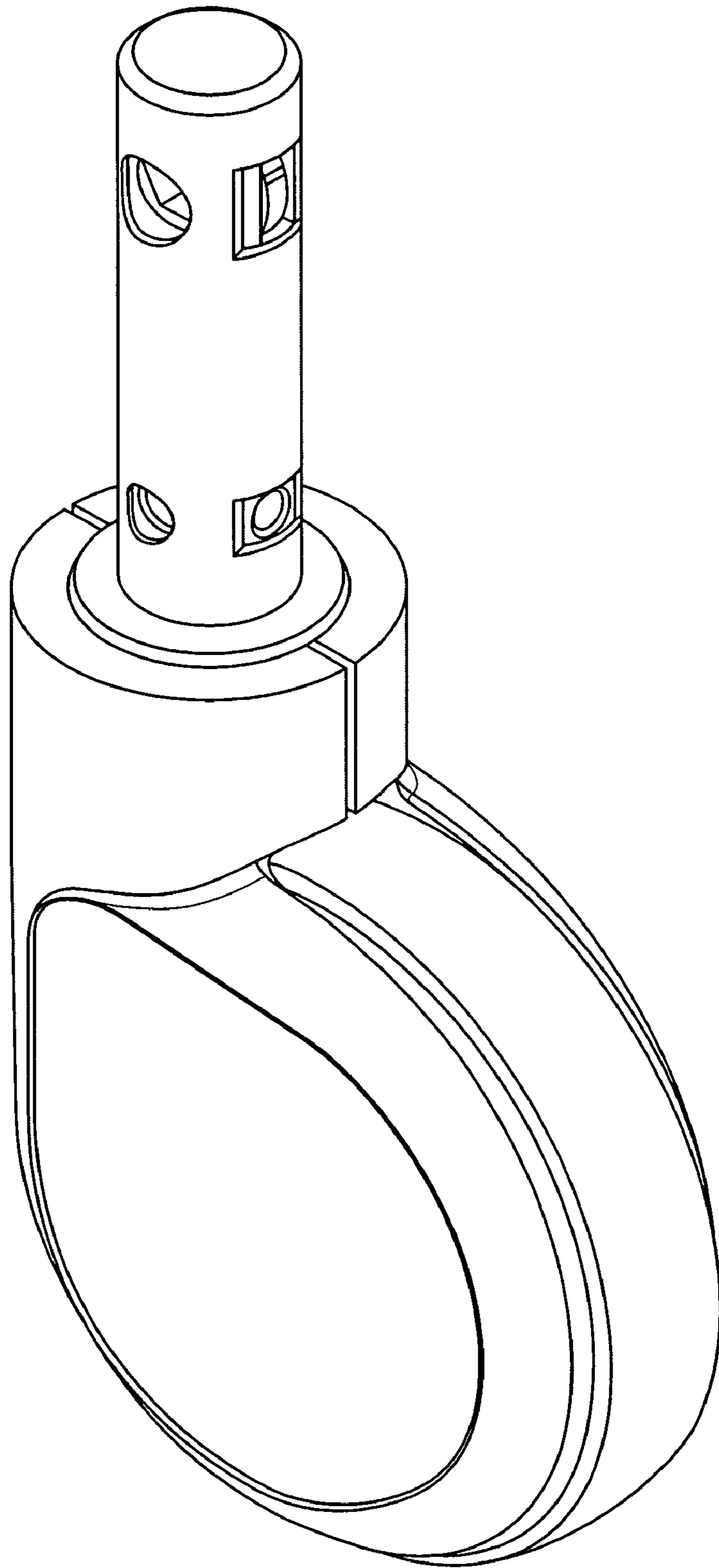


FIG. 1

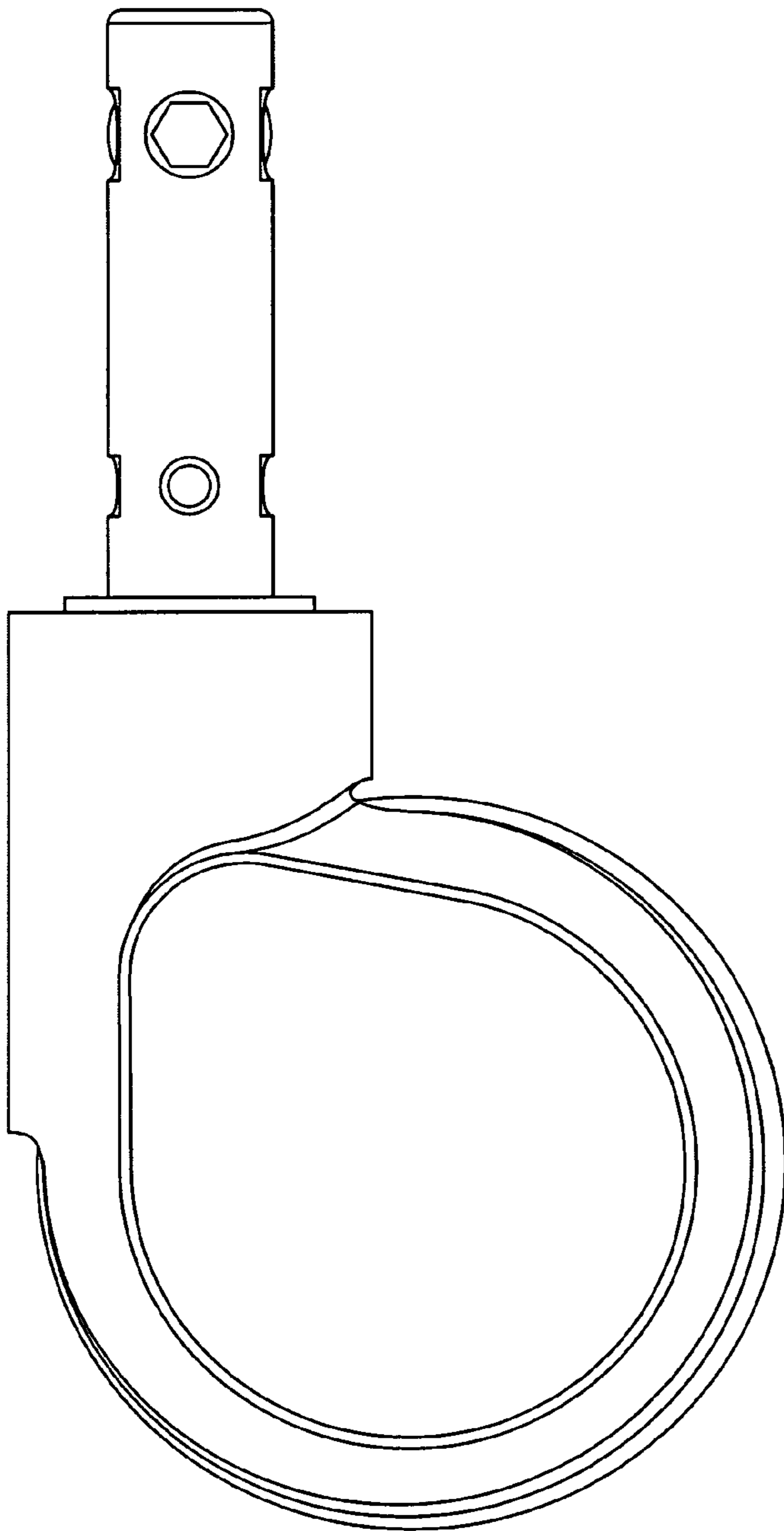


FIG. 2

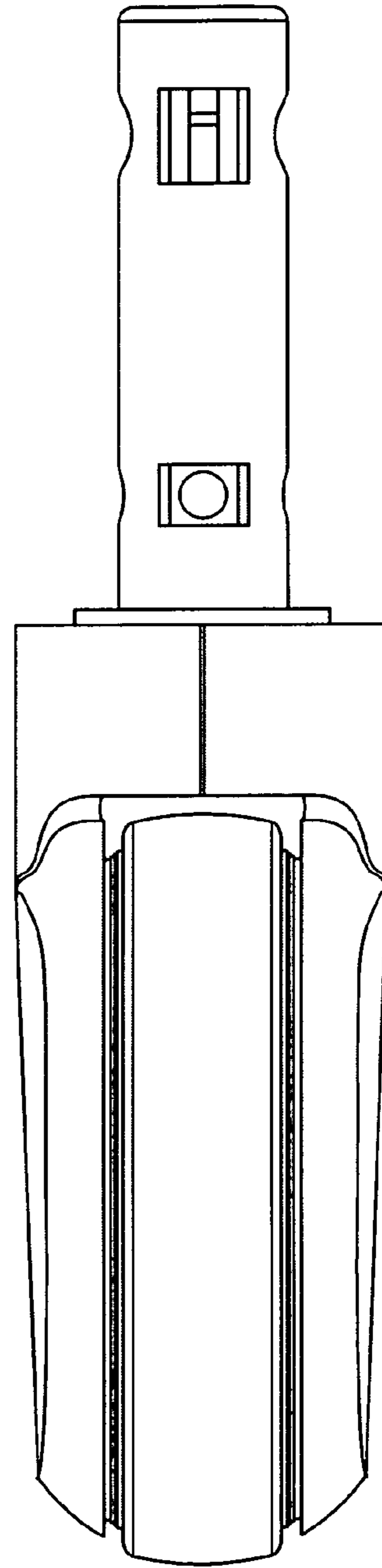


FIG. 3

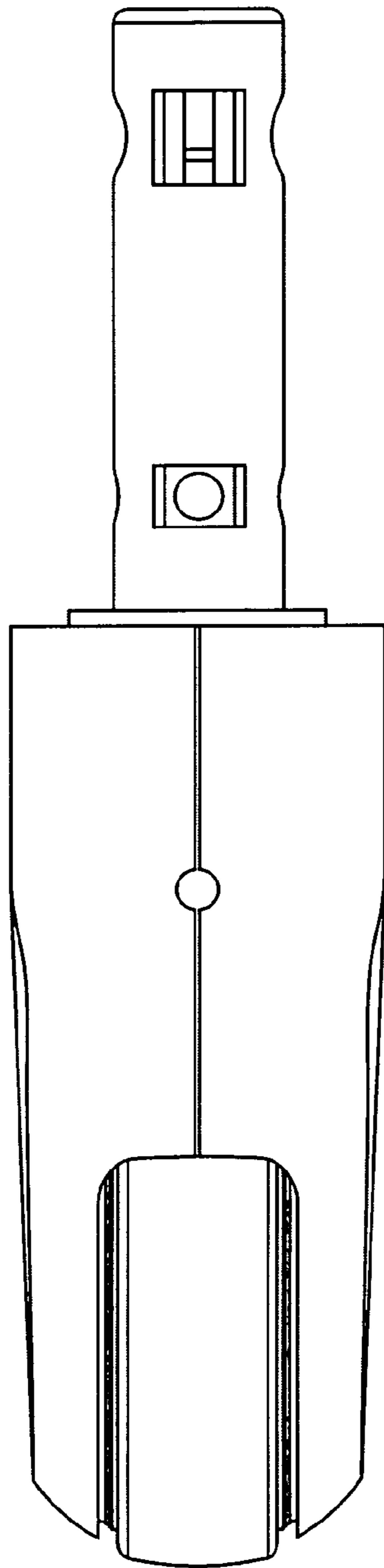


FIG. 4

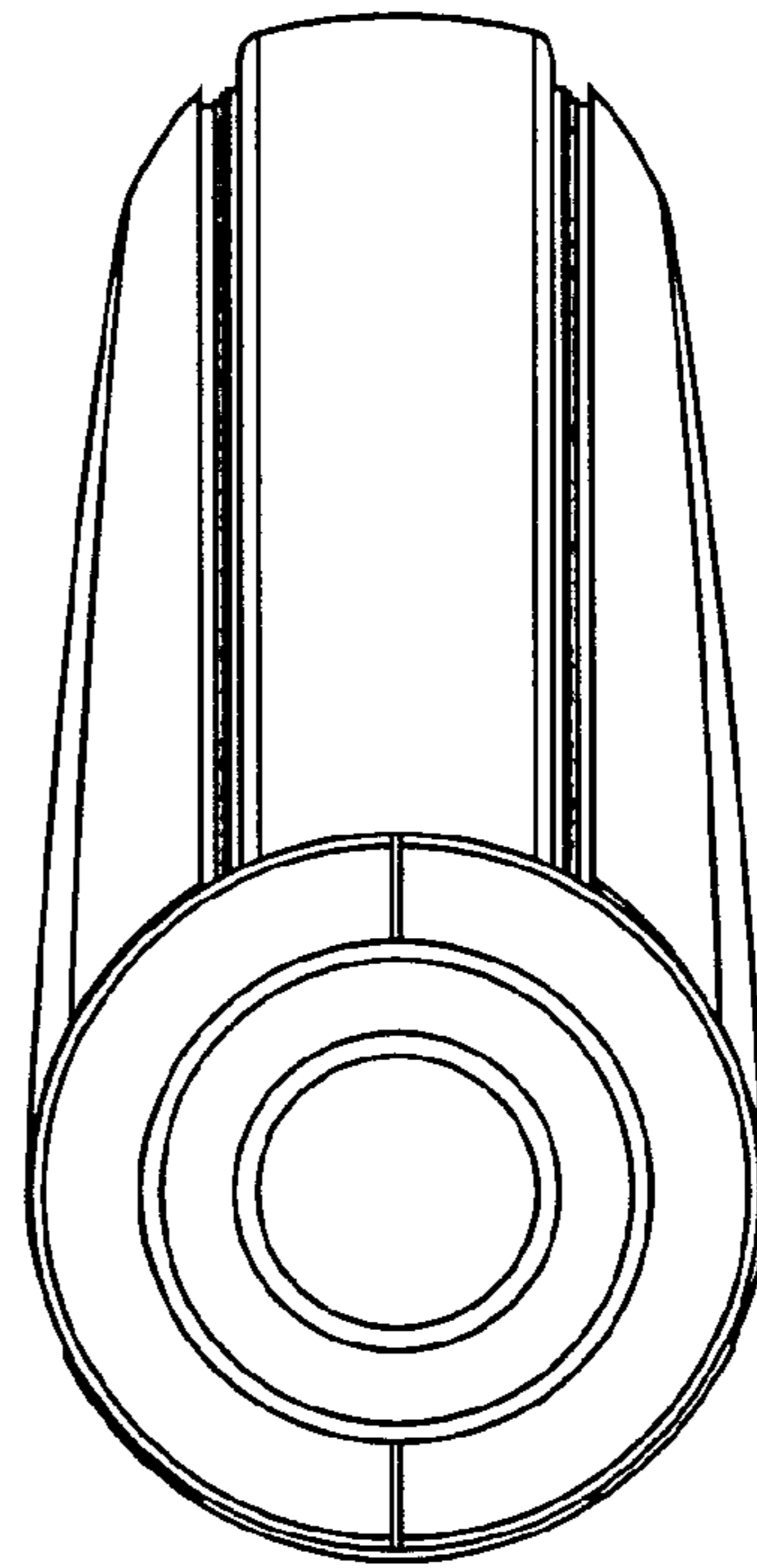


FIG. 5

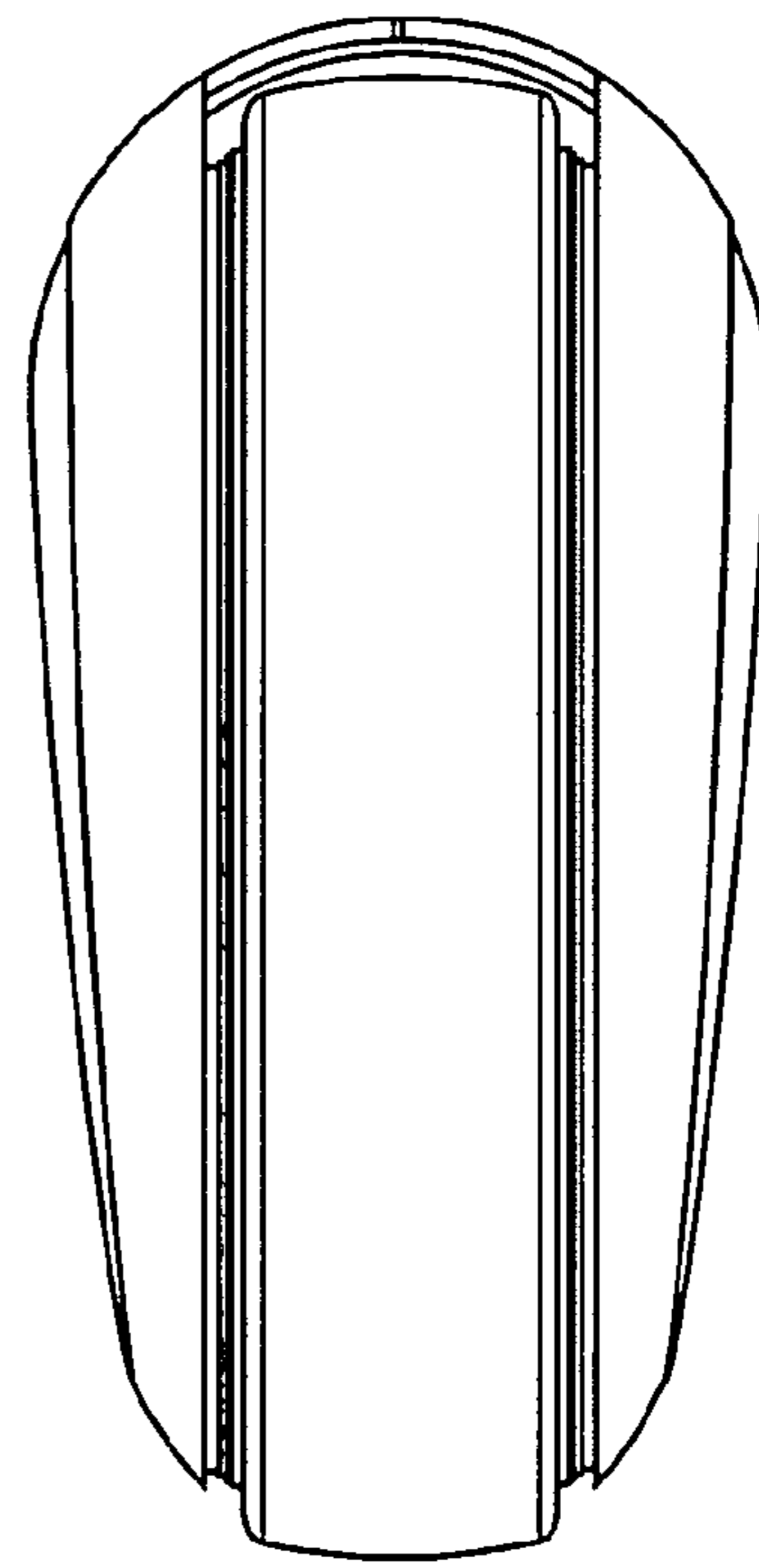


FIG. 6