



US00D639148S

(12) **United States Design Patent**
Schioppa

(10) **Patent No.:** **US D639,148 S**

(45) **Date of Patent:** **** Jun. 7, 2011**

(54) **CASTER**

(75) Inventor: **Roberto Nicola Schioppa**, Sao Paulo
(BR)

(73) Assignee: **Metalúrgica Schioppa LTDA.**, São
Paulo, SP (BR)

(**) Term: **14 Years**

(21) Appl. No.: **29/370,703**

(22) Filed: **Aug. 24, 2010**

(51) **LOC (9) Cl.** **08-05**

(52) **U.S. Cl.** **D8/375**

(58) **Field of Classification Search** D12/207,
D12/208, 209, 501; D8/375; 16/18 CG,
16/31 R, 22, 29, 18 R, 45, 46, 47; D3/318;
D34/27

See application file for complete search history.

(56) **References Cited**

U.S. PATENT DOCUMENTS

D241,611 S *	9/1976	Crescenzi	D8/375
D244,989 S *	7/1977	Crescenzi	D8/375
D329,011 S *	9/1992	Block	D8/375
D457,809 S *	5/2002	Holbrook	D8/375
D561,014 S *	2/2008	Brodbeck	D8/375

* cited by examiner

Primary Examiner — Susan Bennett Hattan

(74) *Attorney, Agent, or Firm* — Collard & Roe, P.C.

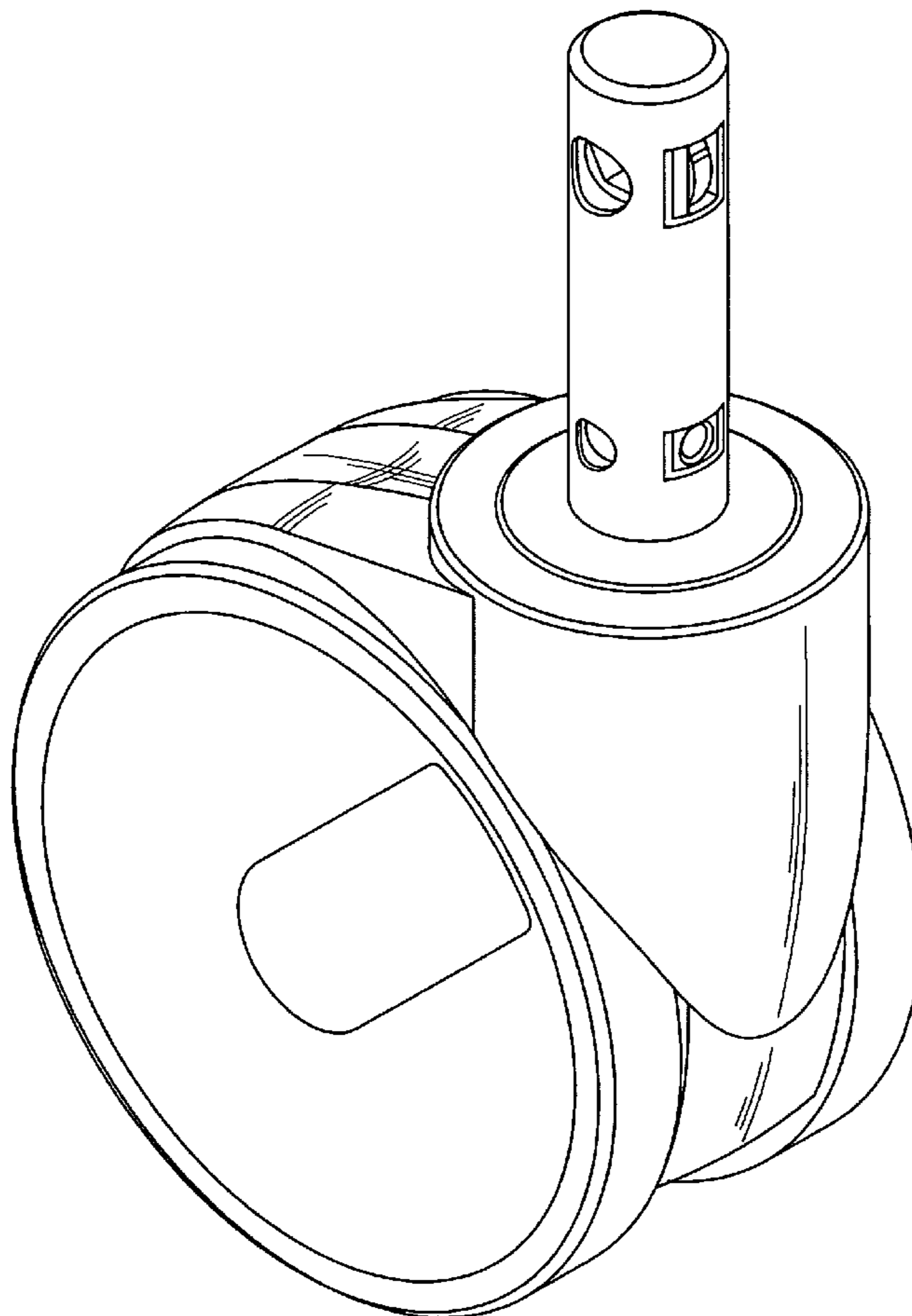
(57) **CLAIM**

The ornamental design for a caster, as shown and described.

DESCRIPTION

FIG. 1 is a top, rear and side perspective view of a caster, showing my new design;
FIG. 2 is a side view thereof, with the opposite side view being a mirror image thereof;
FIG. 3 is a front view thereof;
FIG. 4 is a rear view thereof;
FIG. 5 is a top view thereof; and,
FIG. 6 is a bottom view thereof.

1 Claim, 3 Drawing Sheets



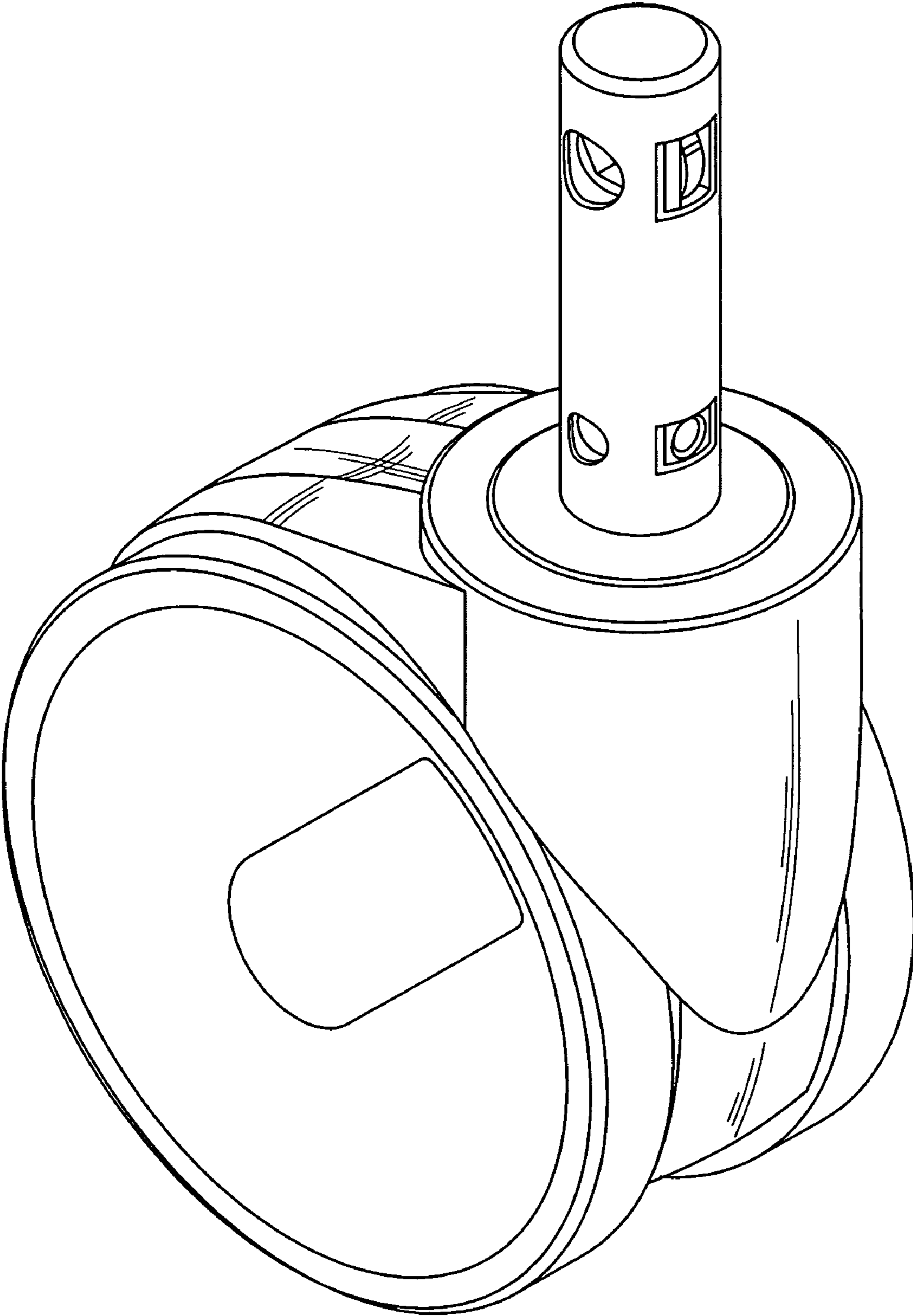


FIG. 1

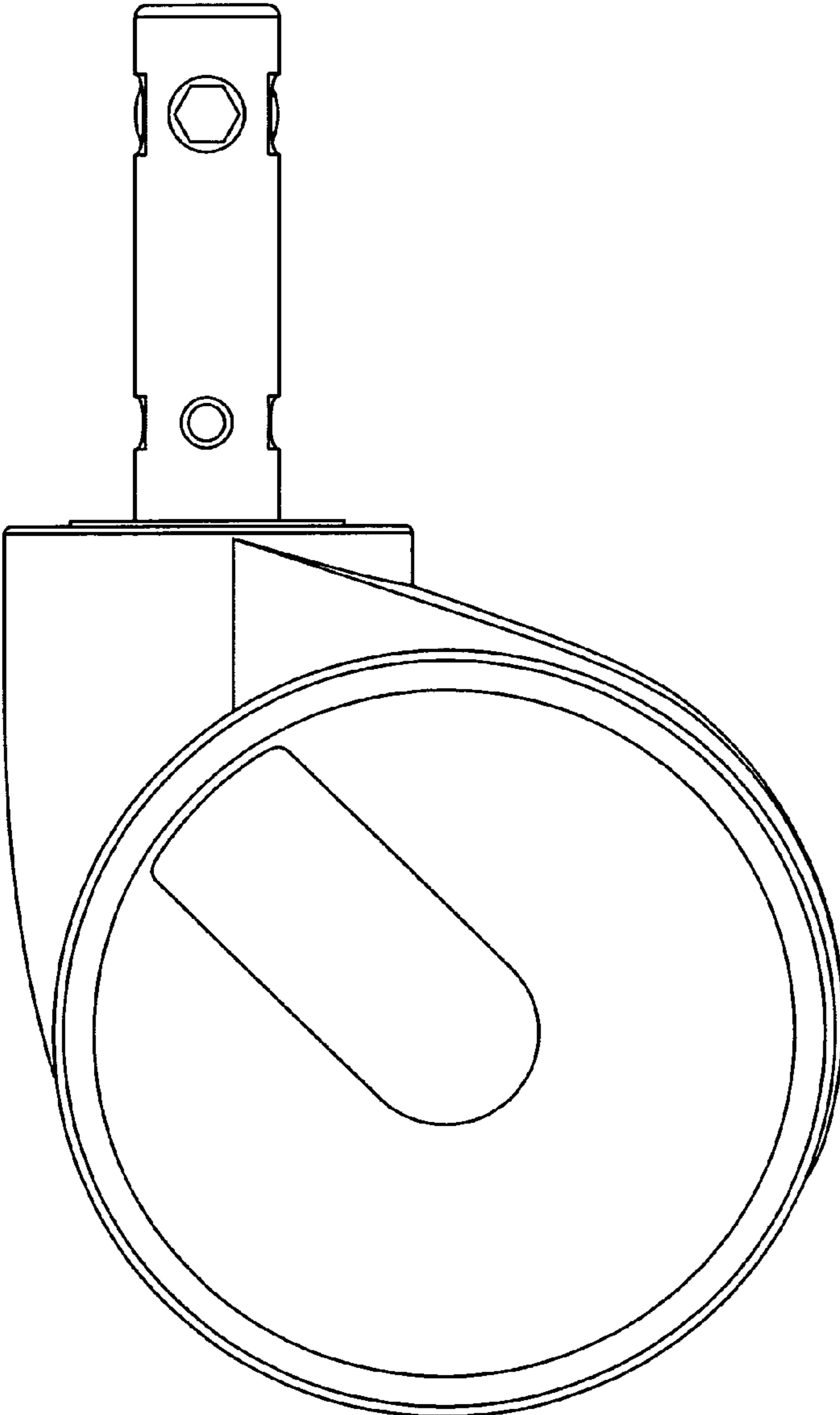


FIG. 2

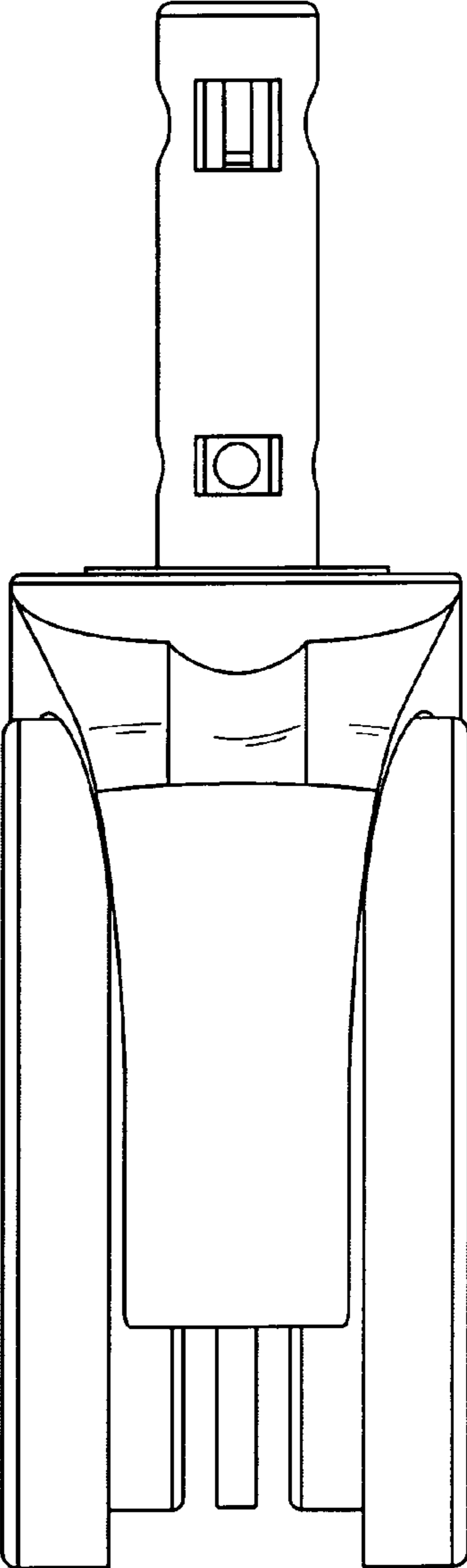


FIG. 3

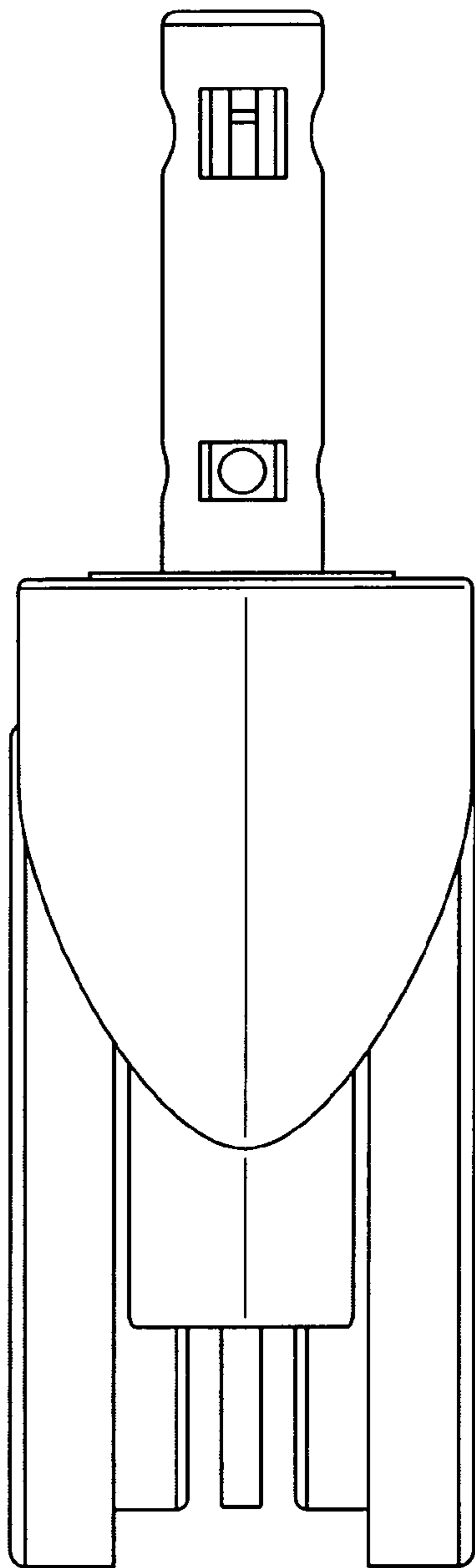


FIG. 4

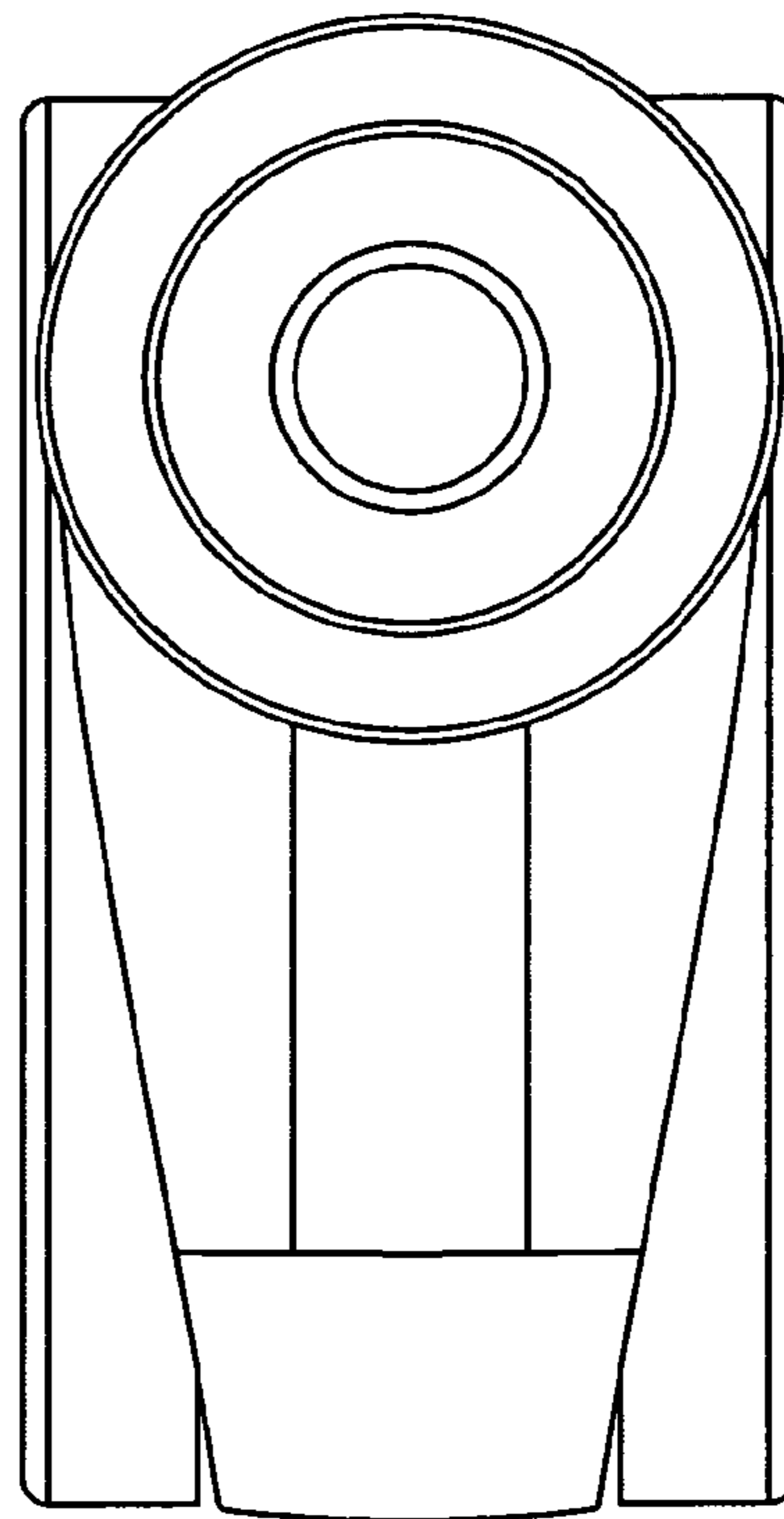


FIG. 5

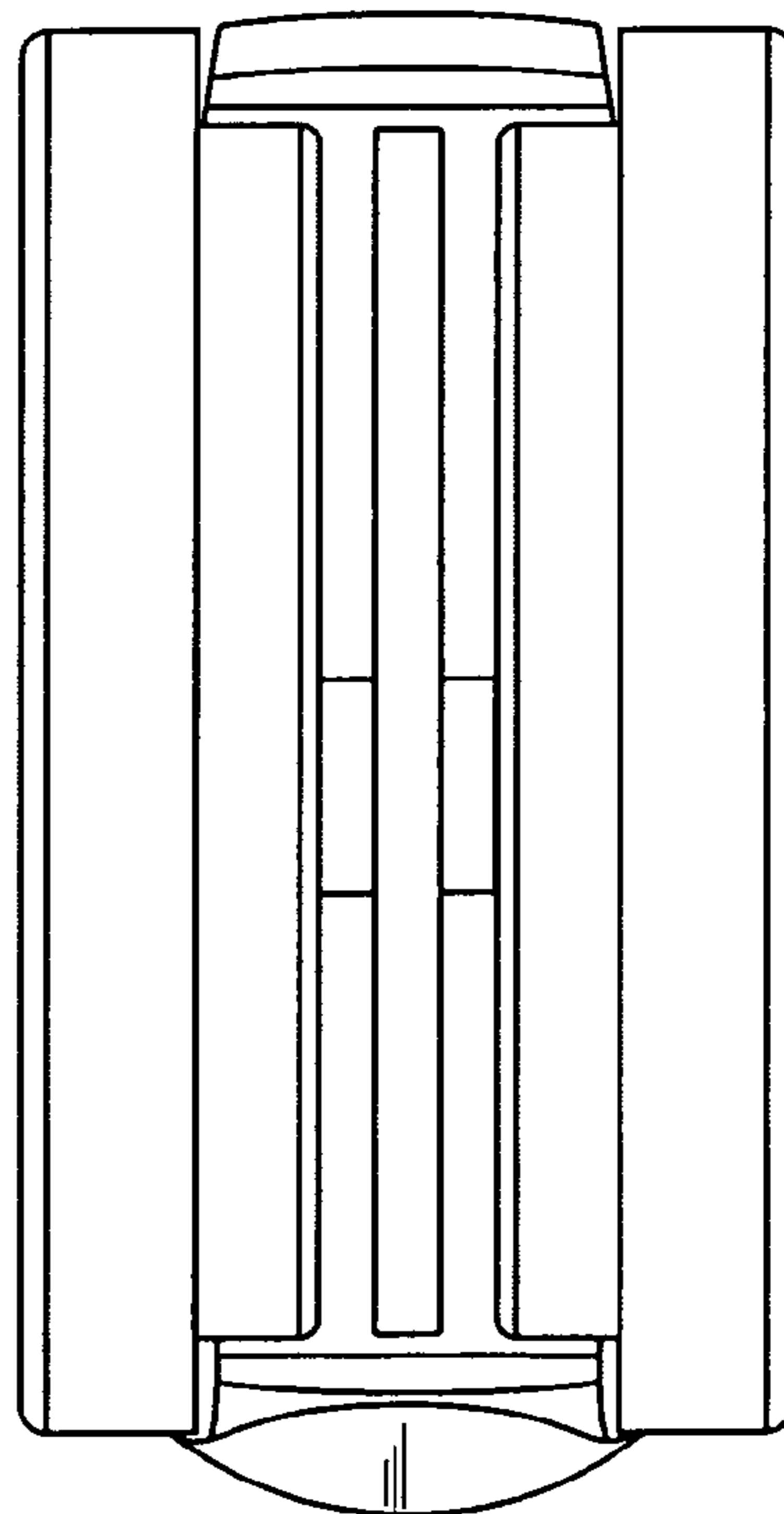


FIG. 6