



US00D639147S

(12) **United States Design Patent**
Surles

(10) **Patent No.:** **US D639,147 S**
(45) **Date of Patent:** **** Jun. 7, 2011**

(54) **CAR WASH HOSE GLIDE**

(76) Inventor: **Ernest Morgan Surles**, Marshall, NC
(US)

(**) Term: **14 Years**

(21) Appl. No.: **29/363,437**

(22) Filed: **Jun. 9, 2010**

(51) **LOC (9) Cl.** **08-05**

(52) **U.S. Cl.** **D8/356**

(58) **Field of Classification Search** D8/356,
D8/354, 349, 359, 358; 174/135; 248/89,
248/75; 385/135, 134, 60, 62; 52/220.1,
52/74.1; D13/156; D19/34

See application file for complete search history.

(56) **References Cited**

U.S. PATENT DOCUMENTS

441,511	A *	11/1890	Segur	248/489
803,464	A *	10/1905	Beck	24/339
D325,929	S *	5/1992	Larson et al.	D19/34
D395,390	S *	6/1998	Etherton et al.	D8/367
6,079,675	A *	6/2000	Hsu	248/75
D431,447	S *	10/2000	Meyerhoefer	D8/356
D442,444	S *	5/2001	Bowling et al.	D8/1
D462,603	S *	9/2002	Wright et al.	D8/356
6,476,327	B1 *	11/2002	Bernard et al.	174/101
D481,303	S *	10/2003	Fell et al.	D8/395
D523,321	S *	6/2006	Verbeek	D8/323
D539,638	S *	4/2007	Franks, Jr.	D8/395
7,249,728	B2 *	7/2007	Williamson	242/566

D554,979	S *	11/2007	Hsu	D8/356
D576,406	S *	9/2008	Chan	D3/318
D589,329	S *	3/2009	Plunk et al.	D8/359
D597,827	S *	8/2009	Brassard	D8/395
D605,032	S *	12/2009	Bushey	D8/402
D608,190	S *	1/2010	Jimenez	D8/395
D621,692	S *	8/2010	Clarke	D8/354
D622,132	S *	8/2010	DeMars et al.	D8/356
D622,585	S *	8/2010	Walker, Jr.	D8/396
D622,927	S *	9/2010	Griebel	D1/122
D623,048	S *	9/2010	Moy	D8/395

* cited by examiner

Primary Examiner — Cynthia Underwood

(74) *Attorney, Agent, or Firm* — Sinorica, LLC

(57) **CLAIM**

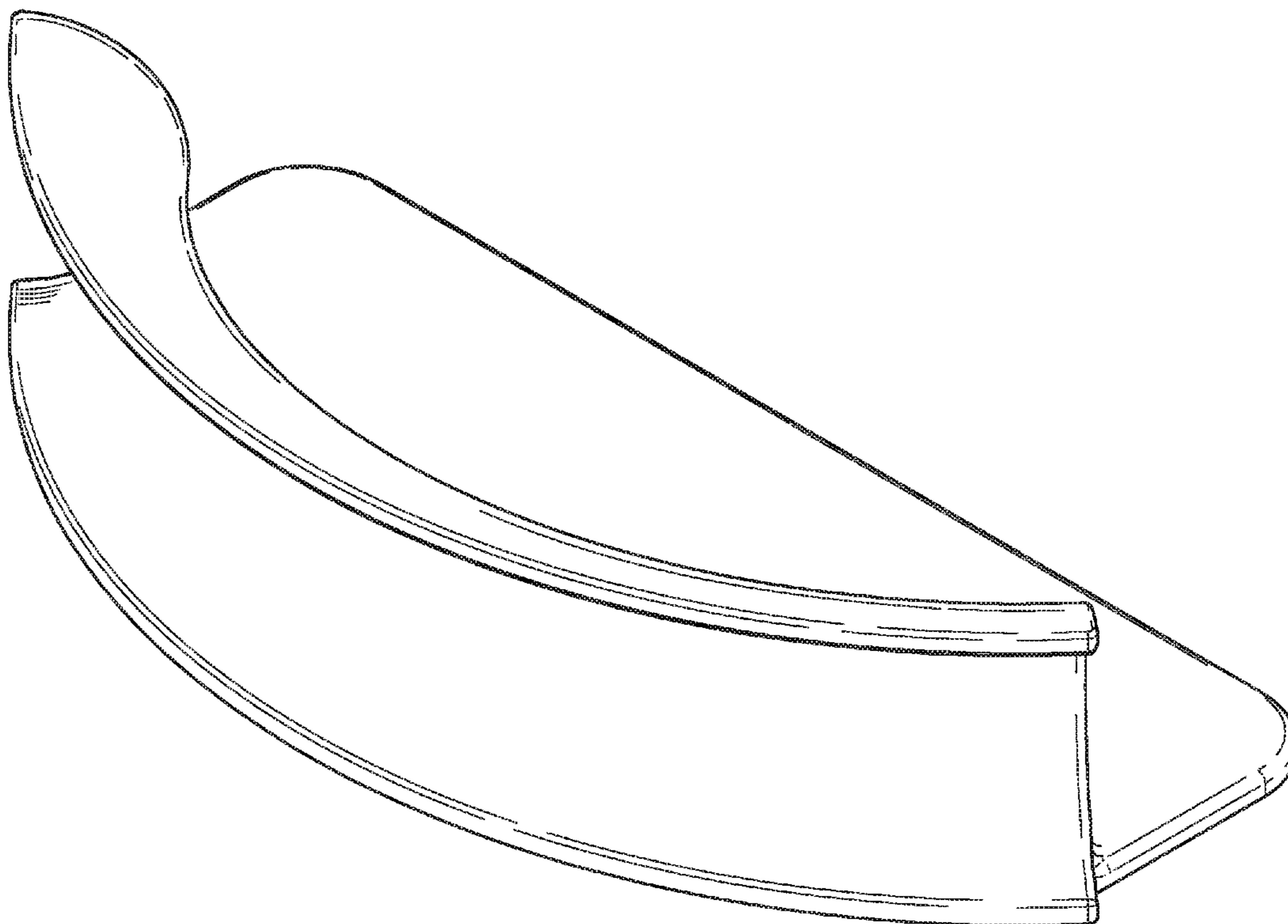
The ornamental design of a car wash hose glide, as shown and described.

DESCRIPTION

FIG. 1 is a perspective view of a car wash hose glide;
FIG. 2 is a rear elevational view thereof;
FIG. 3 is a front elevational view thereof;
FIG. 4 is a left-side elevational view thereof;
FIG. 5 is a right-side elevational view thereof;
FIG. 6 is a top plan view thereof; and,
FIG. 7 is a bottom plan view thereof.

The claimed car wash hose glide is designed to be wider than the tire that it will be used on, and as a result, the car wash hose glide will be further secured under the tire as a hose is pulled against the front surface.

1 Claim, 5 Drawing Sheets



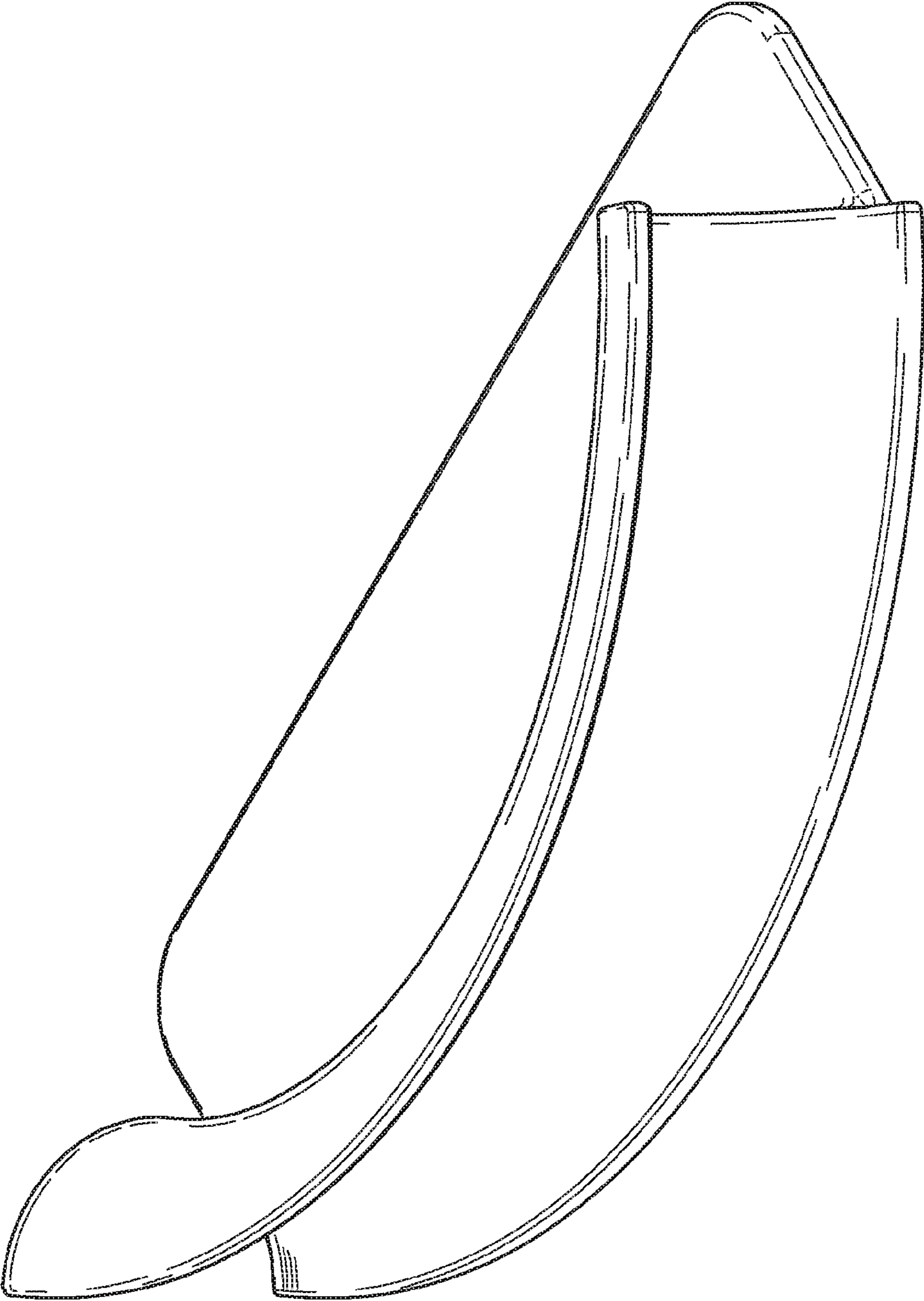


FIG. 1

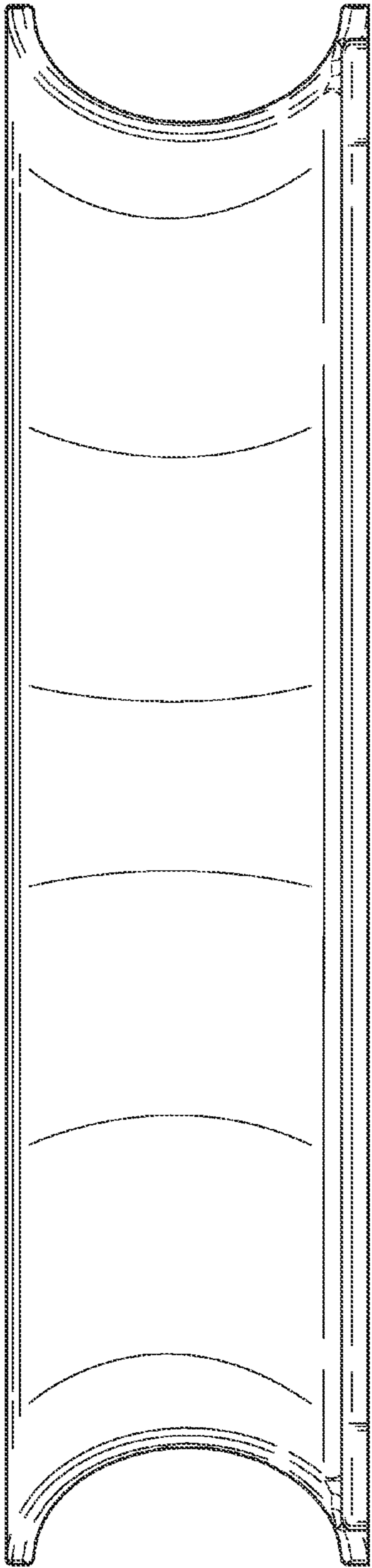


FIG. 2

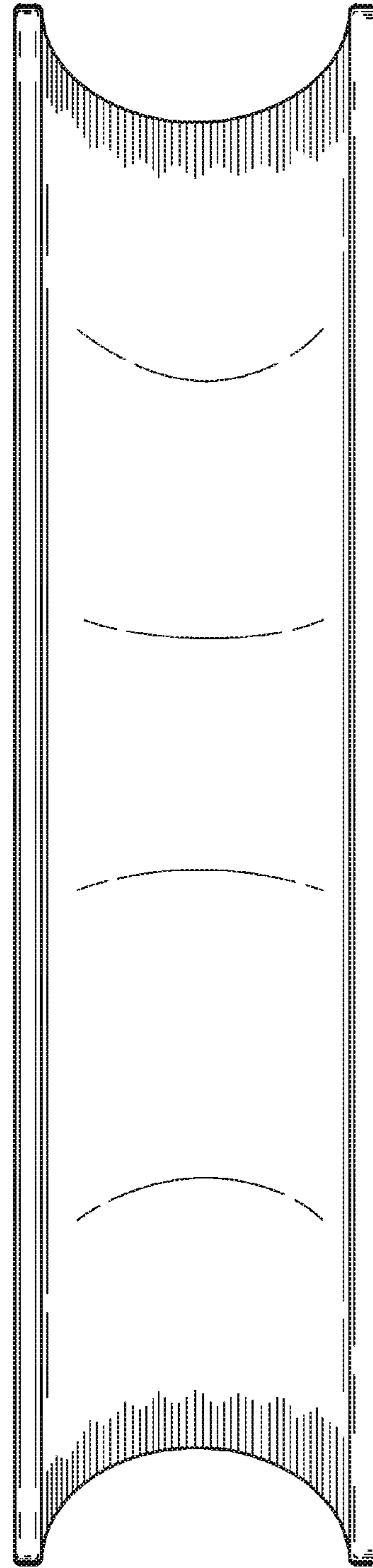


FIG. 3

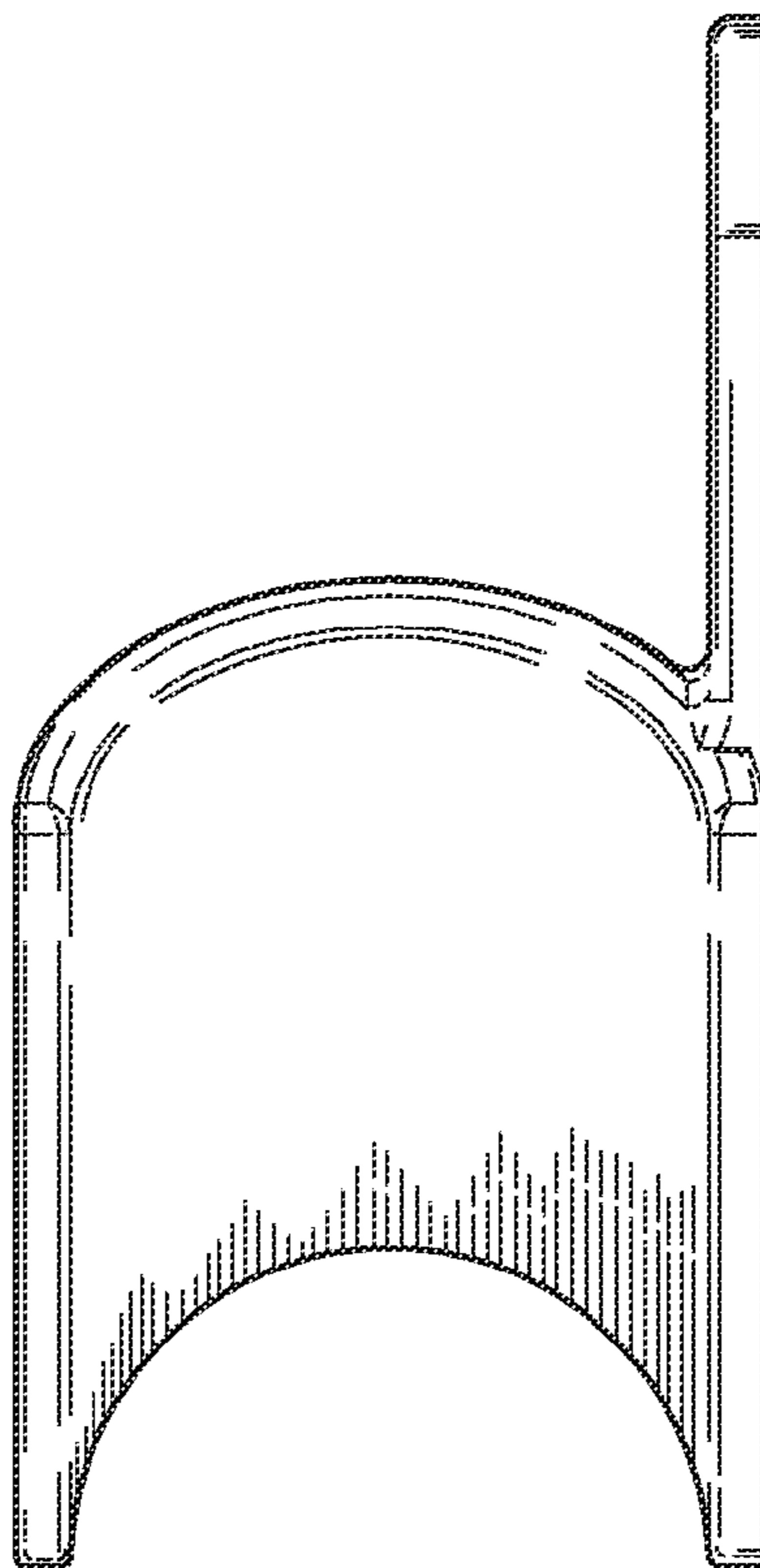


FIG. 5

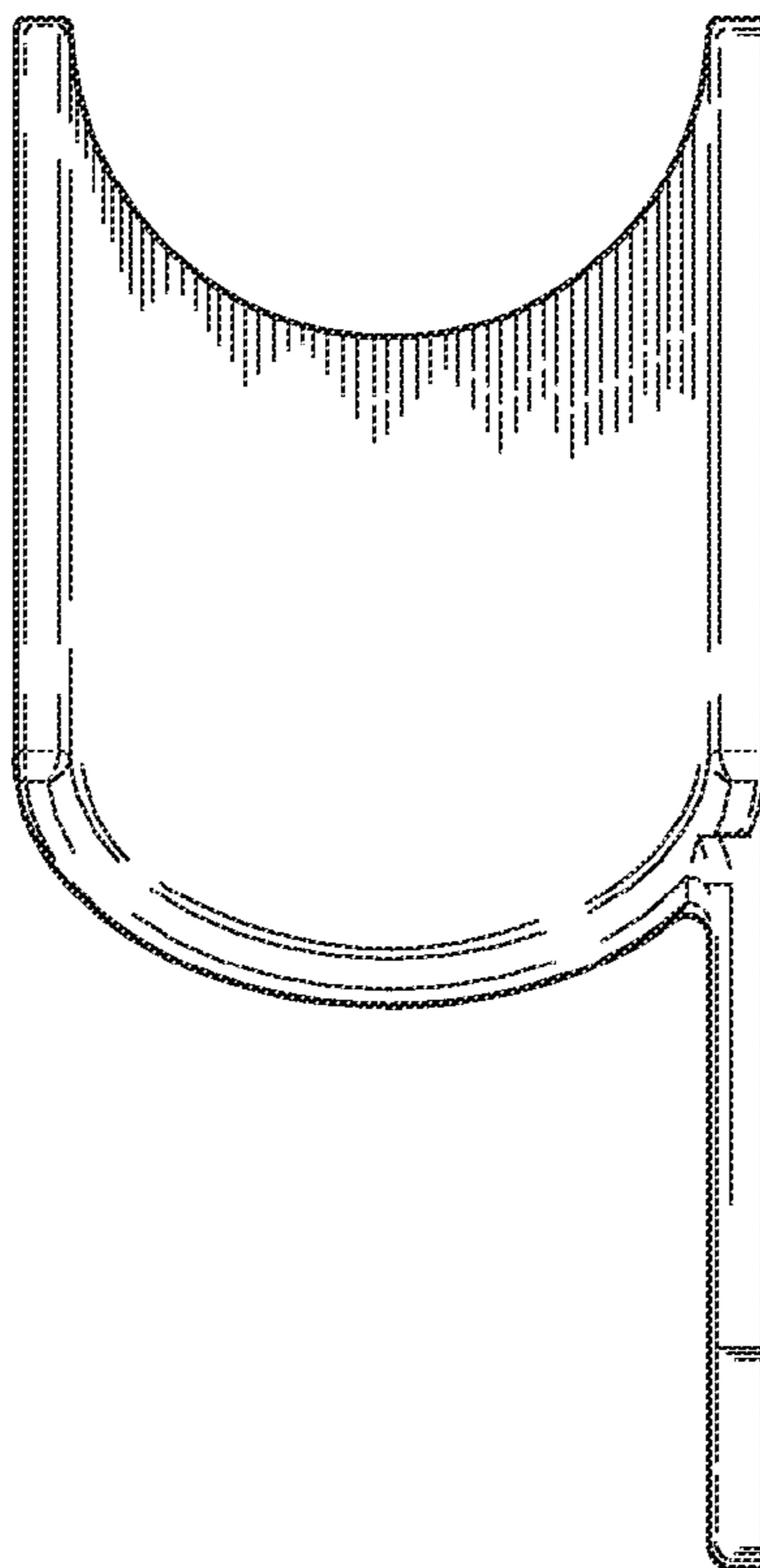


FIG. 4

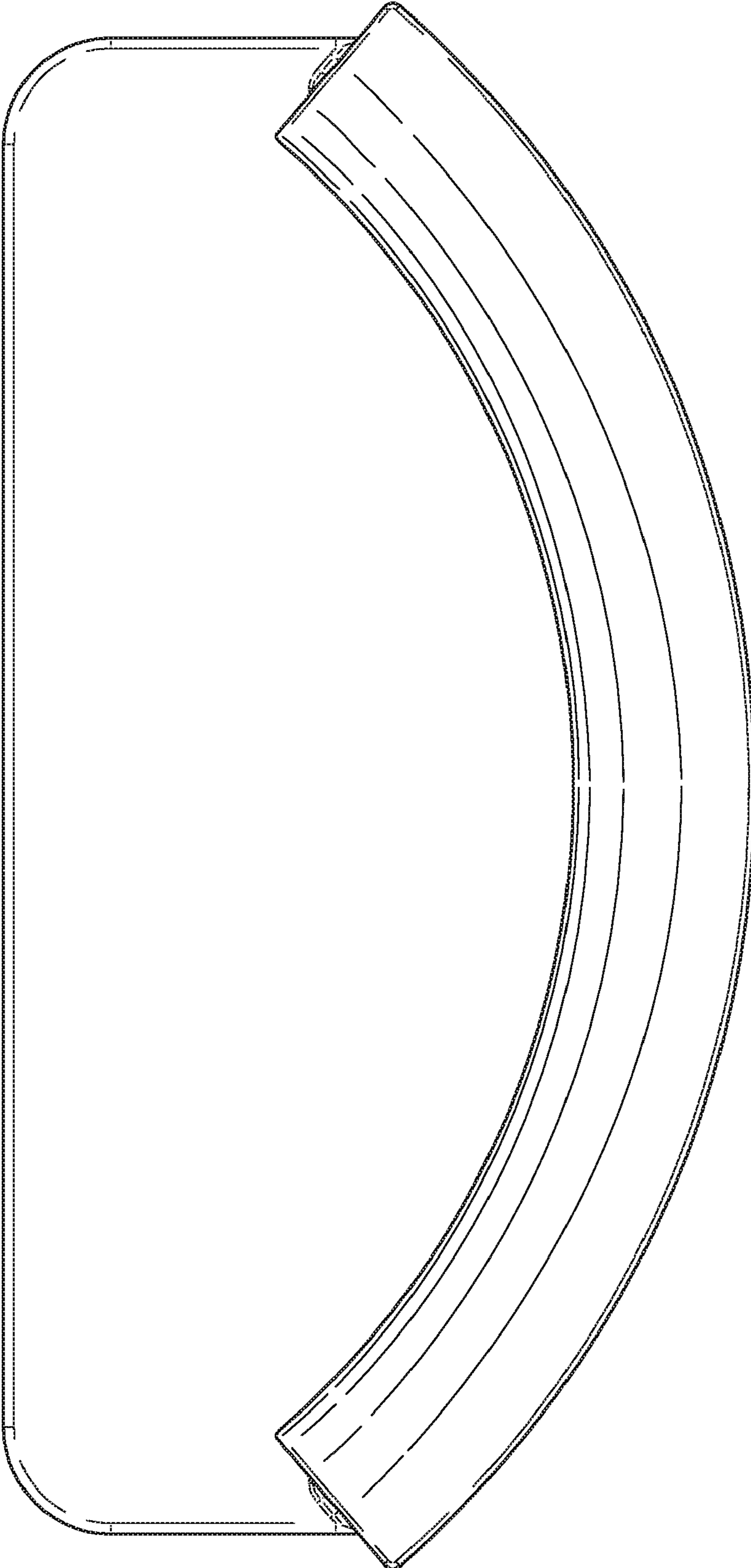


FIG. 6

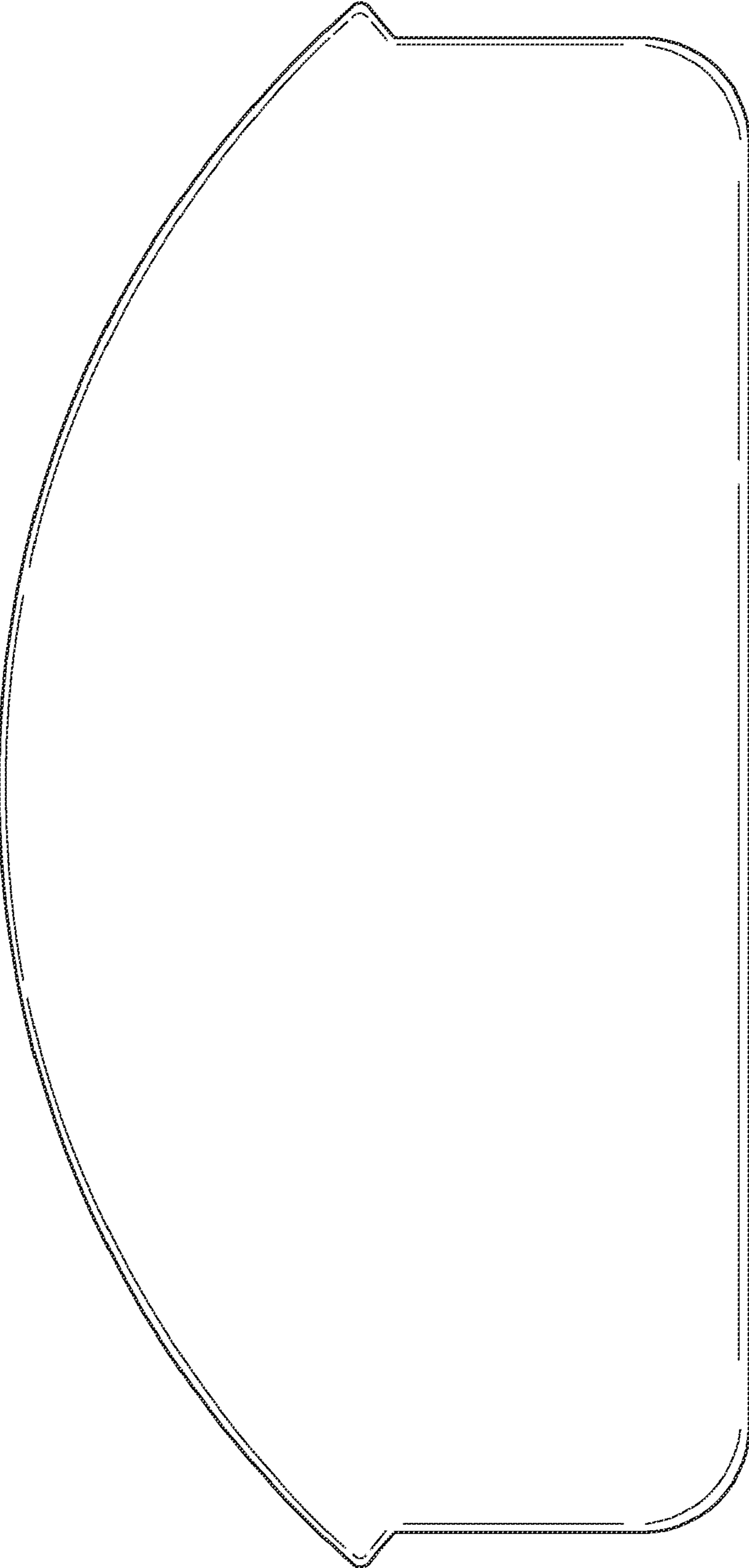


FIG. 7