



US00D639144S

(12) **United States Design Patent**  
**Schaefer et al.**

(10) **Patent No.:** **US D639,144 S**  
(45) **Date of Patent:** **\*\* Jun. 7, 2011**

(54) **FOUR FACED INTERLOCKING SUPPORT MEMBER**

(75) Inventors: **Richard F. Schaefer**, Fort Lupton, CO (US); **David Kreutzman**, Louisville, CO (US); **Don N. Tamm**, Lafayette, CO (US)

(73) Assignee: **D Three Enterprises, LLC**, Lafayette, CO (US)

(\*\*) Term: **14 Years**

(21) Appl. No.: **29/375,883**

(22) Filed: **Sep. 29, 2010**

(51) **LOC (9) Cl.** ..... **08-05**

(52) **U.S. Cl.** ..... **D8/354; D25/122**

(58) **Field of Classification Search** ..... D8/381,  
D8/354; D25/122; 403/173, 217; 312/265.5,  
312/265.1, 265.2, 108

See application file for complete search history.

(56) **References Cited**

**U.S. PATENT DOCUMENTS**

626,607 A	6/1899	Gentner	
1,517,199 A	11/1924	Luhring	
2,605,074 A	7/1952	Buckso et al.	
3,282,006 A *	11/1966	Halsey et al.	52/781
D207,665 S	5/1967	Deskey	
4,021,977 A	5/1977	Deike	
4,320,608 A	3/1982	Deike	
4,322,572 A *	3/1982	Snyder	174/368
4,553,358 A	11/1985	Deike	
5,176,348 A	1/1993	Gale	
5,201,159 A	4/1993	Goransen et al.	
5,395,081 A	3/1995	Vollink	
5,404,682 A	4/1995	West	
5,438,782 A	8/1995	Belobraydich et al.	
5,470,139 A *	11/1995	Hsiao	312/140
5,471,809 A	12/1995	Frankel	
D373,832 S *	9/1996	Nomura	D25/122
5,647,185 A	7/1997	Forlini	

5,647,650 A *	7/1997	Daugherty et al.	312/265.1
5,695,263 A *	12/1997	Simon et al.	312/265.4
5,715,760 A *	2/1998	Frascaroli et al.	108/50.02
5,848,502 A	12/1998	Schaefer	
5,894,702 A	4/1999	Stenekes	
D415,847 S	10/1999	Schaefer	
D417,290 S *	11/1999	Goleby et al.	D25/122
D459,975 S *	7/2002	Dinh et al.	D8/354
D460,567 S *	7/2002	McDonough	D25/122
6,658,808 B1	12/2003	Doherty et al.	

(Continued)

**FOREIGN PATENT DOCUMENTS**

CA 616268 3/1961

(Continued)

**OTHER PUBLICATIONS**

U.S. Appl. No. 12/700,667, filed Feb. 4, 2010; First Named Inventor: Richard F. Schaefer.

(Continued)

*Primary Examiner* — Mark A Goodwin

(74) *Attorney, Agent, or Firm* — Margaret Polson; Oppedahl Patent Law Firm LLC

(57) **CLAIM**

The ornamental design for four face interlocking support member, as shown and described.

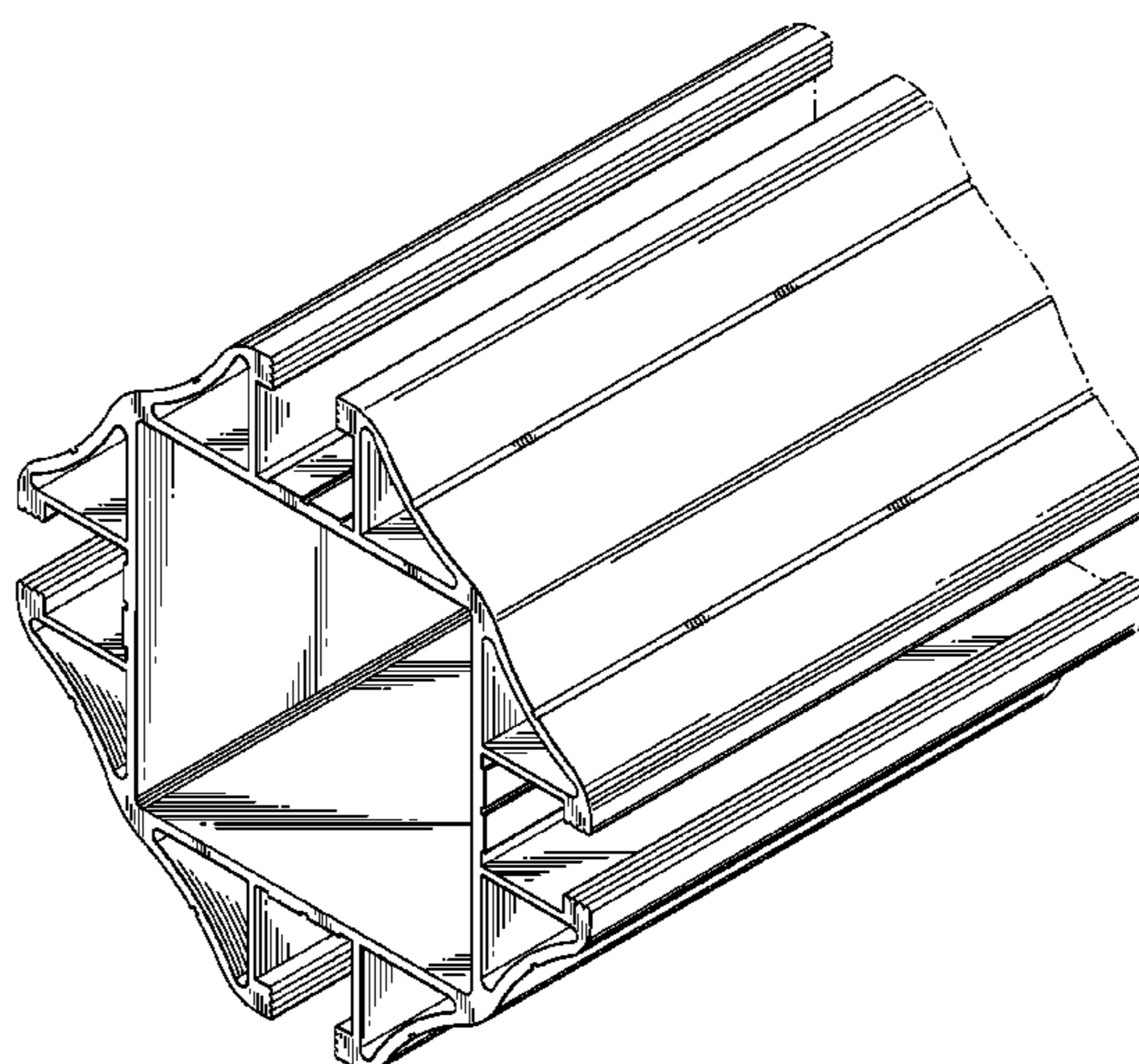
**DESCRIPTION**

FIG. 1 is a front elevation view of a four faced interlocking support member showing our new design, the rear elevation view being identical thereof.

FIG. 2 is a side elevation view thereof, with all remaining sides being a mirror image thereof, the broken line shown being indicative of indeterminate length; and,

FIG. 3 is a front perspective view of FIG. 1 thereof, the broken line shown being indicative of indeterminate length.

**1 Claim, 2 Drawing Sheets**



# US D639,144 S

Page 2

---

## U.S. PATENT DOCUMENTS

6,840,372 B2 1/2005 Giles et al.  
6,862,857 B2 3/2005 Tychsen  
6,907,703 B2 6/2005 Gonzalez  
D547,637 S 7/2007 Blacker  
D550,484 S \* 9/2007 Bonatti et al. .... D6/509  
D554,911 S \* 11/2007 Chang ..... D6/491  
D570,500 S \* 6/2008 Siemens ..... D25/122  
D595,984 S \* 7/2009 Kollman et al. .... D6/580  
D615,389 S \* 5/2010 Shinozaki ..... D8/381  
D615,390 S \* 5/2010 Shinozaki ..... D8/381  
D617,174 S 6/2010 Schaefer et al.  
D626,824 S \* 11/2010 Wood ..... D8/381  
D631,324 S \* 1/2011 Azuma et al. .... D8/354  
2006/0261063 A1 11/2006 Dyehouse

2007/0151191 A1 7/2007 August  
2007/0204548 A1 9/2007 Gagne  
2008/0299868 A1 12/2008 Chungpaiboon

## FOREIGN PATENT DOCUMENTS

CA 1005987 3/1977

## OTHER PUBLICATIONS

U.S. Appl. No. 29/362,775, filed May 29, 2010; First Named Inventor: Richard F. Schaefer.

U.S. Appl. No. 29/375,881, filed Sep. 29, 2010; First Named Inventor: Richard F. Schaefer.

\* cited by examiner

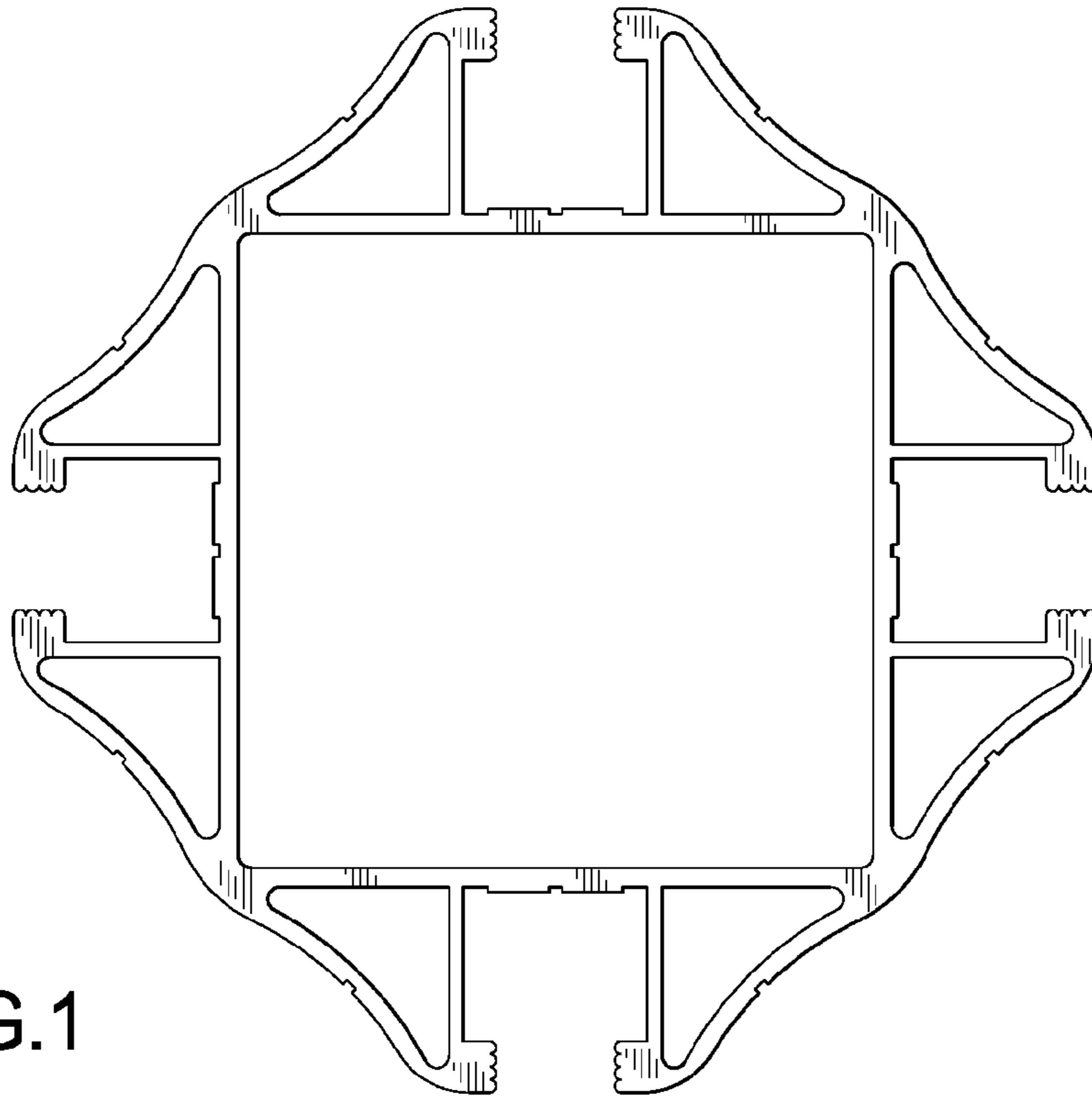


FIG.1



FIG.2

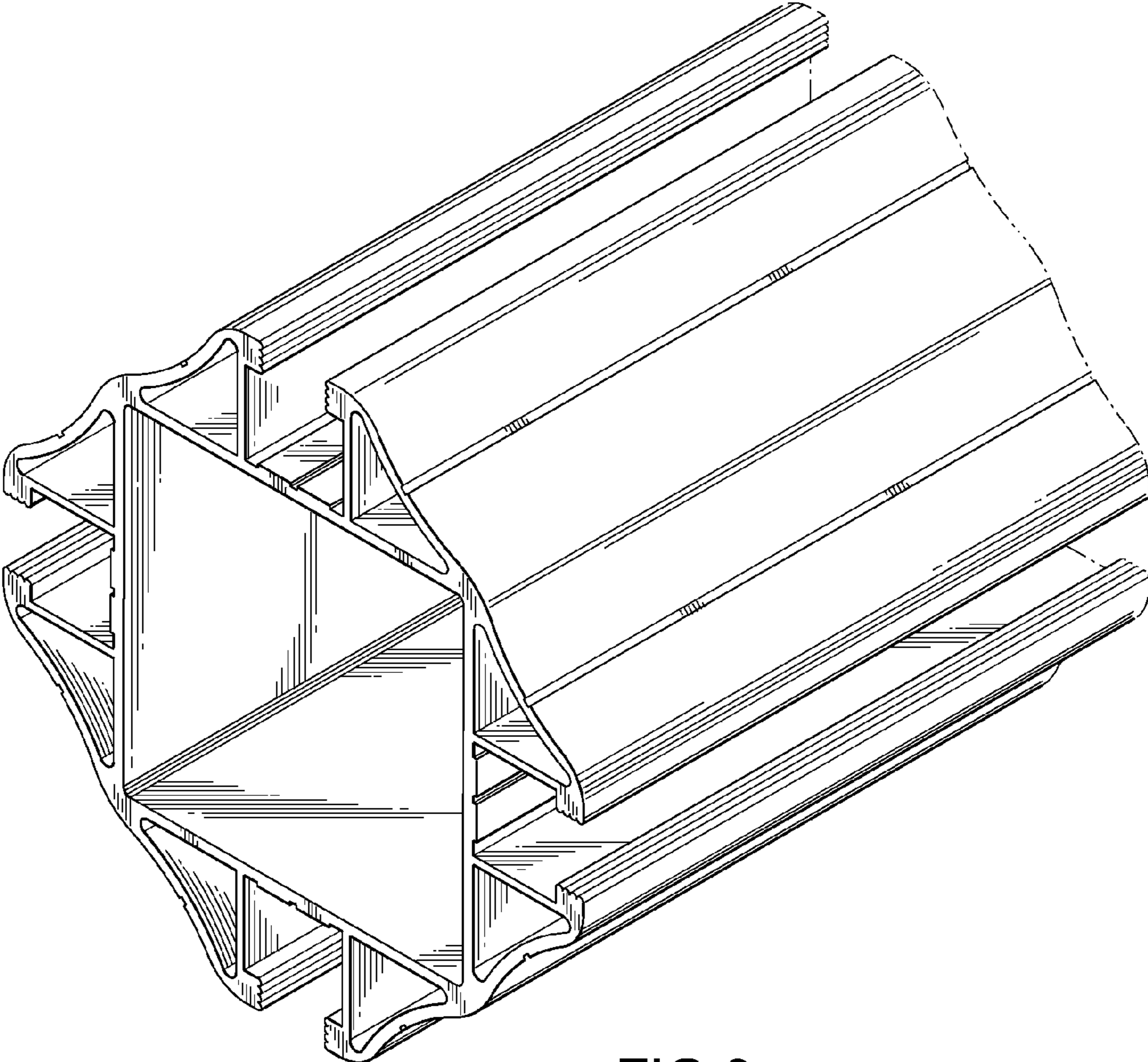


FIG.3