



US00D639142S

(12) **United States Design Patent**
Antonic

(10) **Patent No.:** **US D639,142 S**
(45) **Date of Patent:** **** Jun. 7, 2011**

- (54) **CORNER BRACE**
- (76) **Inventor:** **James P. Antonic**, Ft. Myers, FL (US)
- (**) **Term:** **14 Years**
- (21) **Appl. No.:** **29/310,862**
- (22) **Filed:** **Sep. 15, 2008**

4,047,355 A 9/1977 Knorr
 4,107,893 A 8/1978 Rensch
 4,124,186 A 11/1978 Call, Sr.
 (Continued)

FOREIGN PATENT DOCUMENTS

FR 2871823 12/2005
 (Continued)

OTHER PUBLICATIONS

U.S. Appl. No. 29/310,863 (Inventor: James Antonic, filed Sep. 15, 2008).

(Continued)

- Related U.S. Application Data**
- (63) Continuation-in-part of application No. 11/116,769, filed on Apr. 28, 2005, now Pat. No. 7,690,167.
 - (51) **LOC (9) Cl.** **08-05**
 - (52) **U.S. Cl.** **D8/354**
 - (58) **Field of Classification Search** D8/349, D8/354, 356, 380; D25/119, 121; 248/200-201, 248/205.1, 68.1, 74.1, 74.2, 300
See application file for complete search history.

Primary Examiner — Elizabeth A Albert
Assistant Examiner — Kelley A Donnelly
 (74) *Attorney, Agent, or Firm* — Laura G. Barrow

(57) **CLAIM**

The ornamental design for a corner brace, as shown and described.

(56) **References Cited**

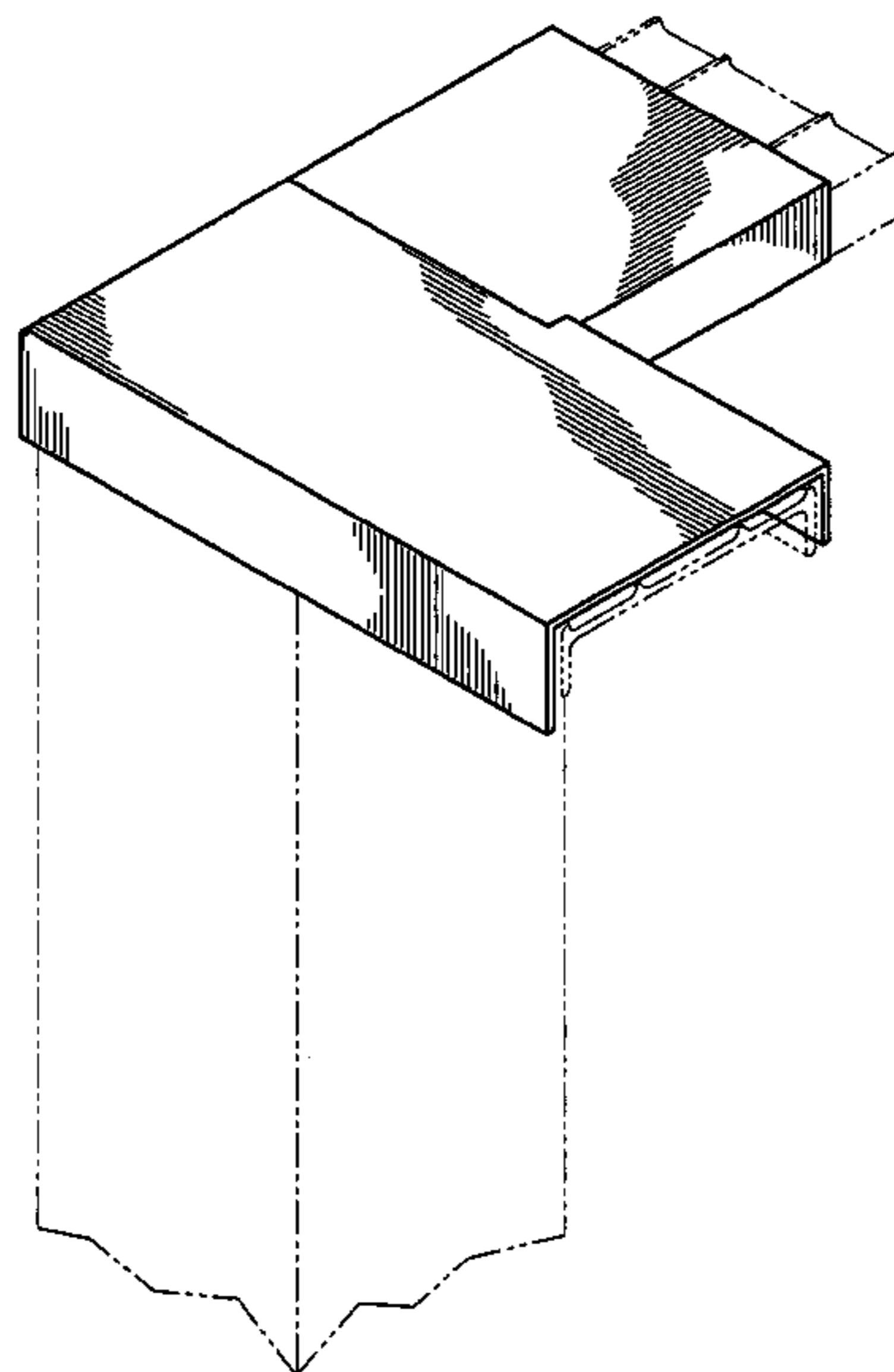
U.S. PATENT DOCUMENTS

1,085,429 A	1/1914	Kahn
1,609,541 A	12/1926	Gooding
1,958,124 A	5/1934	Bemis
2,142,523 A	1/1939	McLaughlin, Jr.
2,256,394 A	9/1941	Lamel
2,356,309 A	8/1944	Garbe
2,363,164 A	11/1944	Waller
2,406,501 A	8/1946	Kratzmaier
2,731,116 A	1/1956	Hamilton
3,152,672 A	10/1964	Oppenhuizen et al.
3,310,926 A	3/1967	Brandreth
3,332,188 A	7/1967	Schaefer
3,363,371 A	1/1968	Fajardo Villalobos
3,533,205 A	10/1970	Pestal
3,562,970 A	2/1971	Schwartz
3,593,475 A	7/1971	LaGue
3,685,222 A	8/1972	Curtess
3,877,194 A	4/1975	Matuschek et al.
3,989,399 A	11/1976	Slowebe

DESCRIPTION

FIG. 1 is a perspective view of the corner brace showing my new design;
 FIG. 2 is a front view of the design shown in FIG. 1.
 FIG. 3 is a rear elevation of the design shown in FIG. 1.
 FIG. 4 is a right side view of the design shown in FIG. 1.
 FIG. 5 is a left side view of the design shown in FIG. 1.
 FIG. 6 is a top plan view of the design shown in FIG. 1.
 FIG. 7 is a bottom plan view of the design shown in FIG. 1; and,
 FIG. 8 is a top view of the design thereof shown in an open and unfolded configuration.
 The broken lines showing is included for the purpose of illustrating environment and forms no part of the claimed design.

1 Claim, 4 Drawing Sheets



US D639,142 S

Page 2

U.S. PATENT DOCUMENTS

4,151,030 A 4/1979 Hensel
 4,154,030 A 5/1979 Huguet
 4,186,539 A 2/1980 Harmon et al.
 D256,663 S 9/1980 Gilb
 4,261,144 A 4/1981 Rizzo
 4,299,202 A 11/1981 Mayo et al.
 4,370,838 A 2/1983 Vermillion
 D275,251 S * 8/1984 Buchanan D6/300
 4,612,744 A 9/1986 Shamash
 4,638,606 A 1/1987 Wendt
 4,689,930 A 9/1987 Menchetti
 4,714,372 A 12/1987 Commins
 4,744,192 A 5/1988 Commins
 D297,502 S 9/1988 Archambeau
 4,812,075 A 3/1989 Lavin, Sr.
 D307,078 S * 4/1990 Guillemet D6/300
 5,069,263 A 12/1991 Edwards
 5,081,813 A 1/1992 White
 5,092,100 A 3/1992 Lambert et al.
 D330,432 S 10/1992 Weinerman
 D331,469 S 12/1992 McMarlin
 D342,662 S 12/1993 Lavin, Sr.
 D349,166 S 7/1994 Beard, Jr.
 5,339,798 A 8/1994 Christian
 5,390,460 A 2/1995 Llorens
 D358,755 S 5/1995 Davis
 5,423,156 A 6/1995 Nellessen, Jr.
 D362,383 S * 9/1995 Boelling D8/354
 D364,331 S 11/1995 Leek
 D377,598 S 1/1997 Beard, Jr.
 5,592,794 A 1/1997 Tundaun
 D378,422 S 3/1997 Howe
 5,664,388 A 9/1997 Chapman et al.
 5,758,466 A 6/1998 Tucker
 D400,080 S 10/1998 Beard, Jr.
 5,837,363 A 11/1998 Colafati
 D417,737 S 12/1999 Stansfield
 6,023,898 A 2/2000 Josey
 D428,162 S 7/2000 Eyring et al.
 D434,638 S * 12/2000 McLauchlan et al. D8/354
 D442,702 S * 5/2001 Wilson D25/102
 D443,810 S 6/2001 Ausilio
 D445,921 S 7/2001 Eyring
 6,256,960 B1 7/2001 Babcock et al.
 D448,495 S 9/2001 Lamberts
 6,298,612 B1 10/2001 Adams
 6,415,580 B2 7/2002 Ojala
 D466,233 S 11/2002 Krieger
 D473,123 S 4/2003 Anderson
 D474,958 S * 5/2003 Perdue D8/349
 6,655,096 B1 12/2003 Pryor
 D490,546 S * 5/2004 Walker D25/199
 D492,889 S 7/2004 Craine
 6,834,468 B1 12/2004 Kroie
 D500,667 S 1/2005 Murphy et al.
 6,837,019 B2 1/2005 Collie
 6,931,796 B2 8/2005 Adriaansen et al.
 D514,924 S * 2/2006 Bergnach D8/354
 D523,565 S 6/2006 Antonic
 D529,431 S * 10/2006 Gordon D12/223
 D532,681 S * 11/2006 Shire et al. D8/382
 D537,537 S 2/2007 Antonic
 D540,479 S 4/2007 Antonic
 7,207,148 B2 4/2007 Surowiecki
 D544,784 S 6/2007 Antonic

D547,642 S * 7/2007 Urmson et al. D8/382
 D549,851 S 8/2007 Antonic
 D552,947 S 10/2007 Ewasiuk
 D553,261 S 10/2007 Antonic
 D553,761 S 10/2007 Antonic
 D554,273 S 10/2007 Antonic
 D554,773 S 11/2007 Antonic
 D554,774 S 11/2007 Antonic
 D554,775 S 11/2007 Antonic
 D555,259 S 11/2007 Antonic
 D555,467 S 11/2007 Pecoraro
 D556,016 S * 11/2007 Curtas D8/354
 D557,429 S 12/2007 Bullock, Jr.
 D561,353 S 2/2008 Antonic
 D561,354 S 2/2008 Antonic
 D561,355 S 2/2008 Antonic
 D566,825 S * 4/2008 Lucero D23/386
 D570,037 S * 5/2008 Hartman D26/138
 D574,518 S 8/2008 Antonic
 D576,023 S * 9/2008 Urmson et al. D8/382
 D581,253 S 11/2008 Antonic
 D582,259 S * 12/2008 DeBiasio, Jr. D8/363
 D586,453 S * 2/2009 Yusa et al. D23/386
 D588,440 S 3/2009 Antonic
 D588,441 S * 3/2009 Clarke D8/354
 7,513,082 B2 4/2009 Johnson
 D594,261 S * 6/2009 Maxwell D6/574
 D595,122 S * 6/2009 Clarke D8/368
 D601,000 S * 9/2009 Cole et al. D8/349
 D606,384 S * 12/2009 Antonic D8/354
 D611,886 S * 3/2010 Peschmann D12/223
 D612,224 S * 3/2010 Wendt D8/354
 D621,692 S * 8/2010 Clarke D8/354
 D624,805 S * 10/2010 Clarke D8/354
 2002/0066245 A1 6/2002 Pryor
 2003/0029124 A1 2/2003 Wise
 2003/0217521 A1 11/2003 Richardson et al.
 2004/0068947 A1 4/2004 Commins et al.
 2004/0107653 A1 6/2004 Collie
 2004/0163355 A1 8/2004 Collie
 2004/0227039 A1 11/2004 Real et al.
 2005/0011157 A1 1/2005 Lutz et al.
 2006/0156660 A1 7/2006 Stateson
 2007/0051059 A1 3/2007 Ahern
 2007/0094992 A1 5/2007 Antonic
 2007/0193143 A1 8/2007 Antonic
 2008/0236058 A1 10/2008 Antonic

FOREIGN PATENT DOCUMENTS

GB 507 987 A 6/1939

OTHER PUBLICATIONS

U.S. Appl. No. 29/273,324 (Inventor: James Antonic, filed Mar. 2, 2007).
 Office action (relevant pages) for U.S. Appl. No. 29/273,324 (Dec. 22, 2008).
 Office action (relevant pages) for Parent case U.S. Appl. No. 11/116,769 (Pub. No. 2006/0254167).
 PCT International Search Report for PCT/US2007/26401—relevant pages (Date: Jun. 12, 2008).
 European Search Report for EPO Application No. 07750810.9 (Mar. 3, 2010) (8 pages).

* cited by examiner

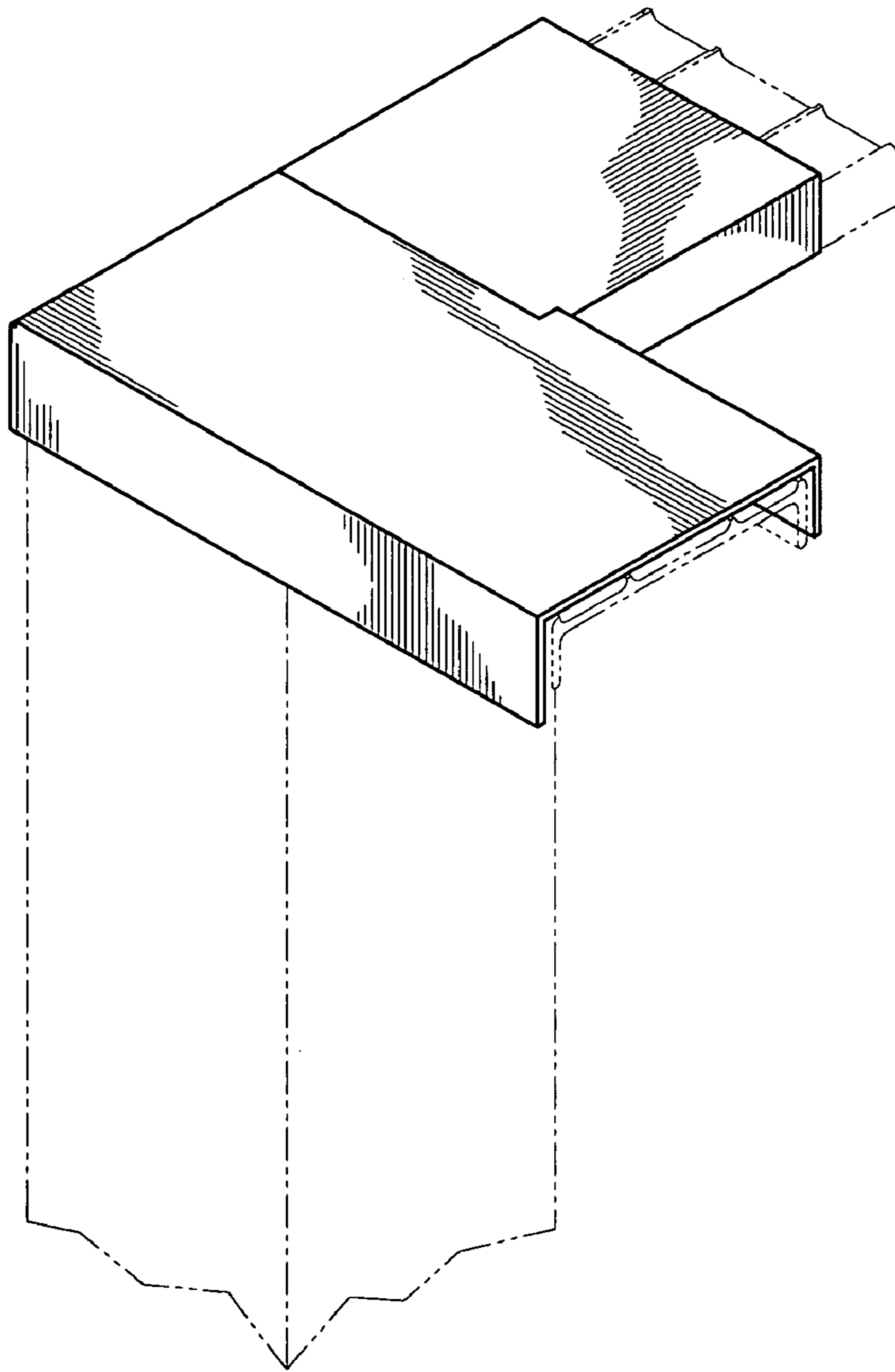


Fig. 1

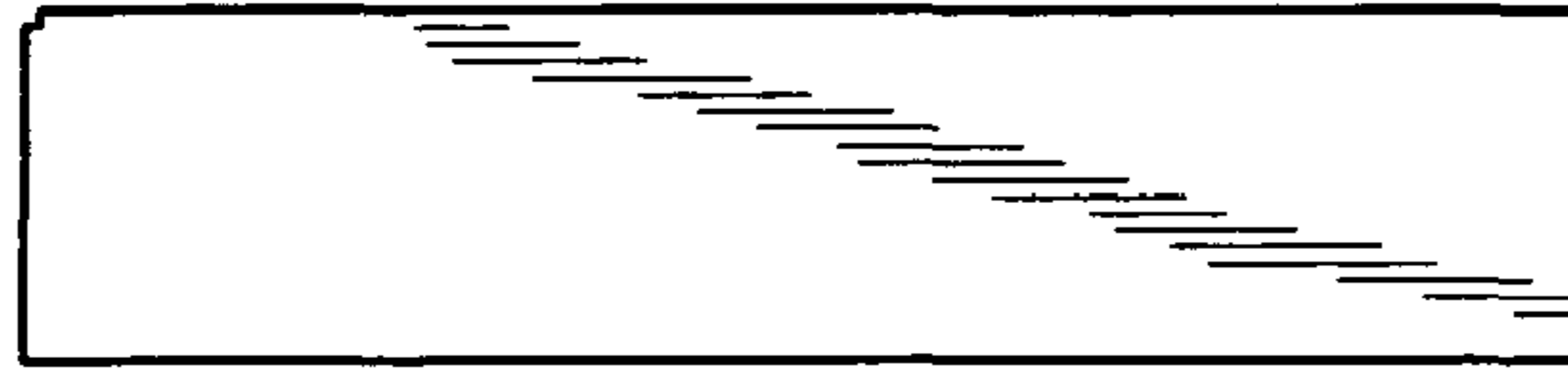


Fig. 2

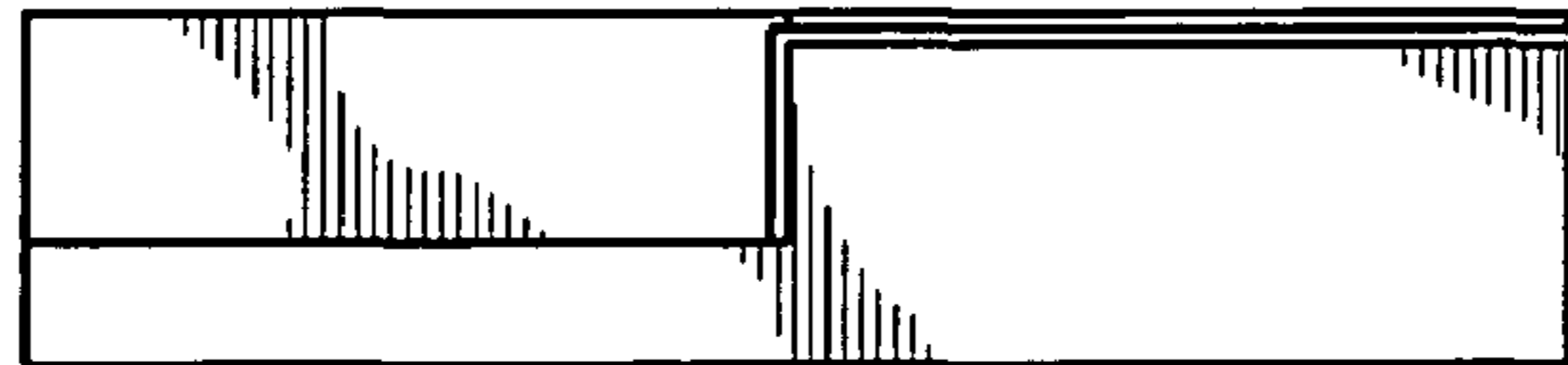


Fig. 3

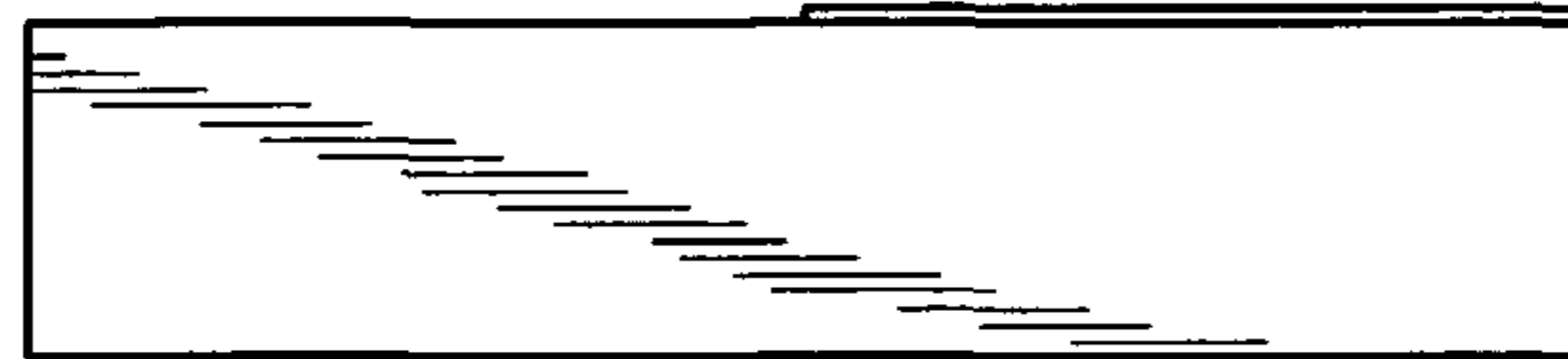


Fig. 4



Fig. 5

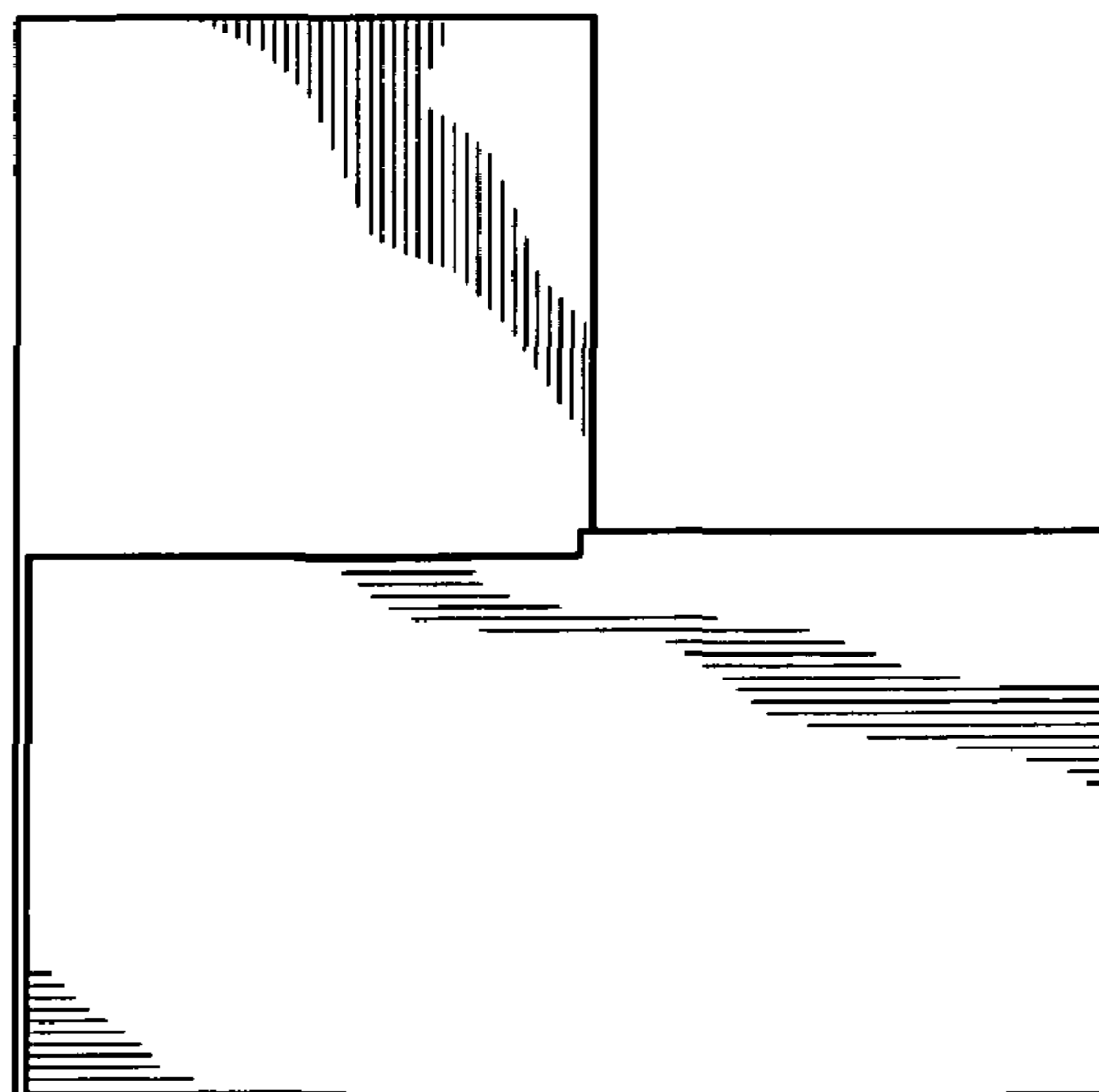


Fig. 6

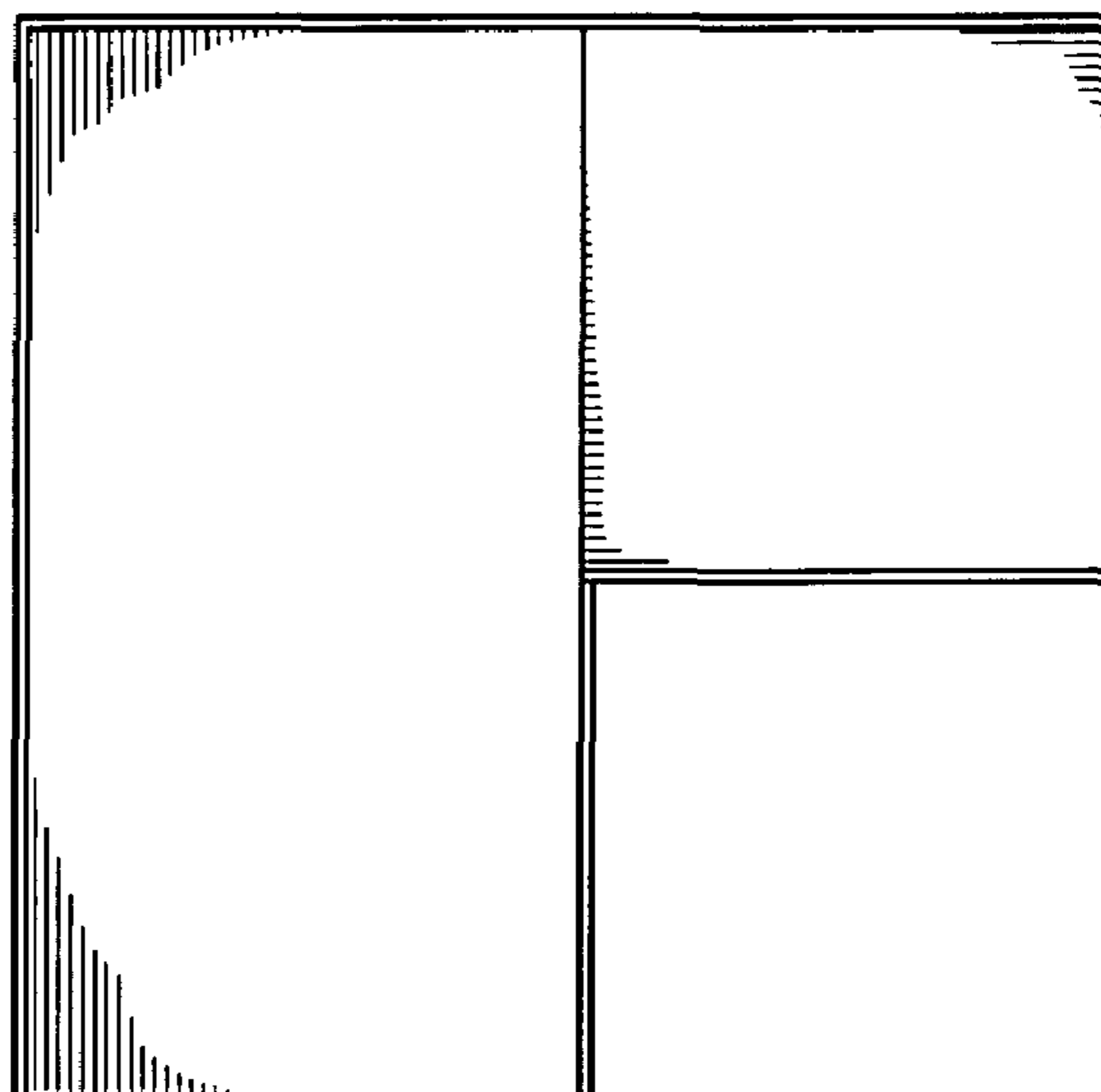


Fig. 7

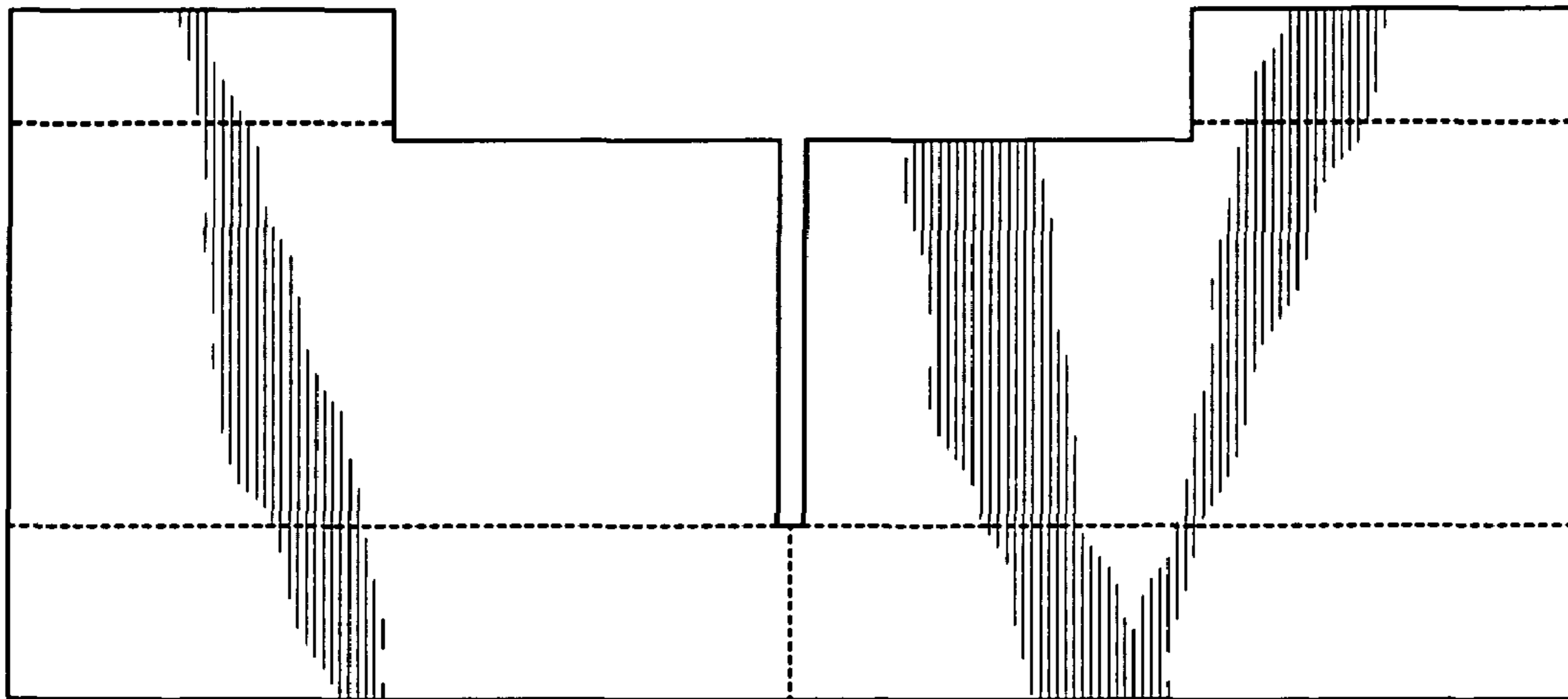


Fig. 8