



US00D639140S

(12) **United States Design Patent**
Bergmann

(10) **Patent No.:** **US D639,140 S**

(45) **Date of Patent:** **** Jun. 7, 2011**

(54) **LOCK BOLT**

(75) Inventor: **Carsten Bergmann**, Bremen (DE)

(73) Assignee: **Raumplus GmbH & Co. KG** (DE)

(**) Term: **14 Years**

(21) Appl. No.: **29/375,314**

(22) Filed: **Sep. 21, 2010**

(30) **Foreign Application Priority Data**

Mar. 26, 2010 (WO) DM/073 678

(51) **LOC (9) Cl.** **08-07**

(52) **U.S. Cl.** **D8/343; D8/330**

(58) **Field of Classification Search** D8/330,
D8/331, 343, 336, 325, 327, 323, 345, 402,
D8/499; 70/2, 14, 57.1, 202, 258, 416, 429,
70/420, 431; 292/1, 253, 259, 190, 297,
292/298; 16/82, 85, 221, 231, 232, 233
See application file for complete search history.

(56) **References Cited**

U.S. PATENT DOCUMENTS

4,818,502 A * 4/1989 Taschner 422/310
D302,937 S * 8/1989 Briggs D8/344
4,915,913 A * 4/1990 Williams et al. 422/119
4,920,771 A * 5/1990 Jiang 70/4

5,351,509 A * 10/1994 Visenzi 70/73
D371,203 S * 6/1996 Deeds D24/217
D419,425 S * 1/2000 Clark et al. D8/343
6,418,760 B1 * 7/2002 Fettes 70/71
6,547,293 B1 * 4/2003 Cheng 292/247
D489,595 S * 5/2004 Gleichauf et al. D8/336
D548,044 S * 8/2007 Tang D8/343

* cited by examiner

Primary Examiner — Prabhakar Deshmukh

(74) *Attorney, Agent, or Firm* — Laurence P. Colton; Smith
Risley Tempel Santos, LLC

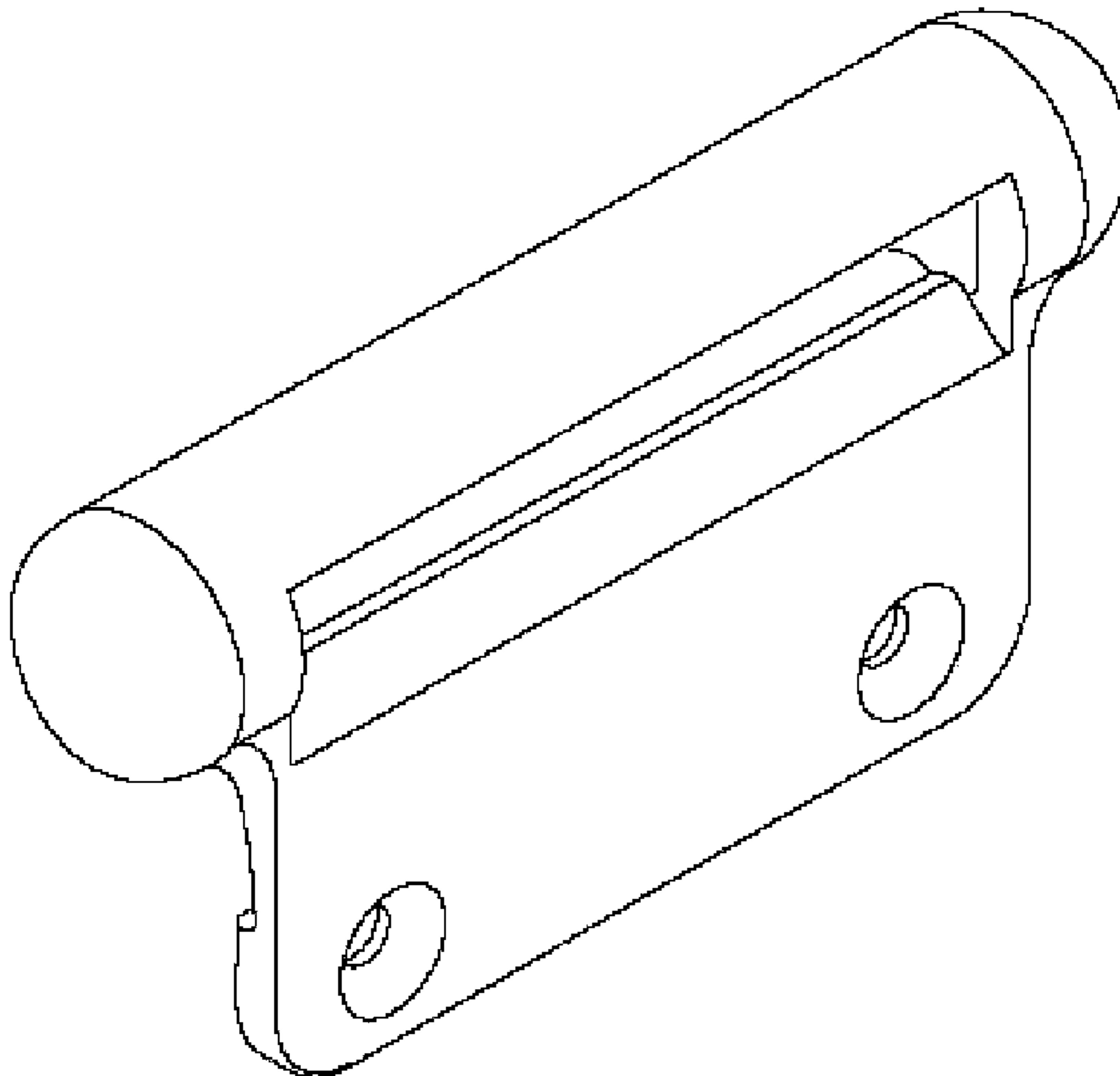
(57) **CLAIM**

The ornamental design for a lock bolt, as shown and
described.

DESCRIPTION

FIG. 1 is a front perspective view of a lock bolt showing my
new design;
FIG. 2 is a rear perspective view of the design of FIG. 1.
FIG. 3 is a top view of the design of FIG. 1.
FIG. 4 is a bottom view of the design of FIG. 1.
FIG. 5 is a left side view of the design of FIG. 1.
FIG. 6 is a right side view of the design of FIG. 1.
FIG. 7 is a front view of the design of FIG. 1; and,
FIG. 8 is a rear view of the design of FIG. 1.

1 Claim, 5 Drawing Sheets



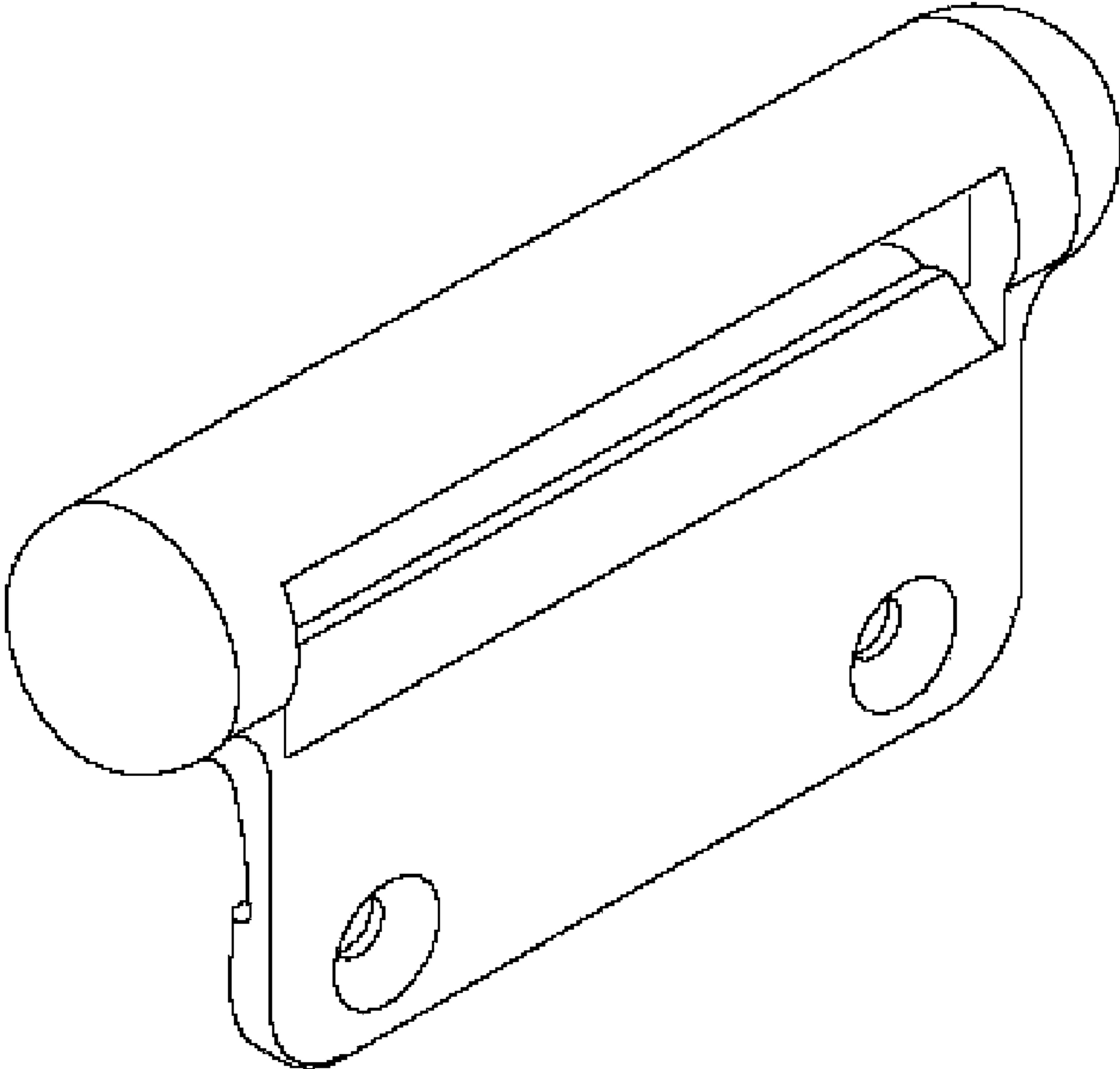


FIG. 1

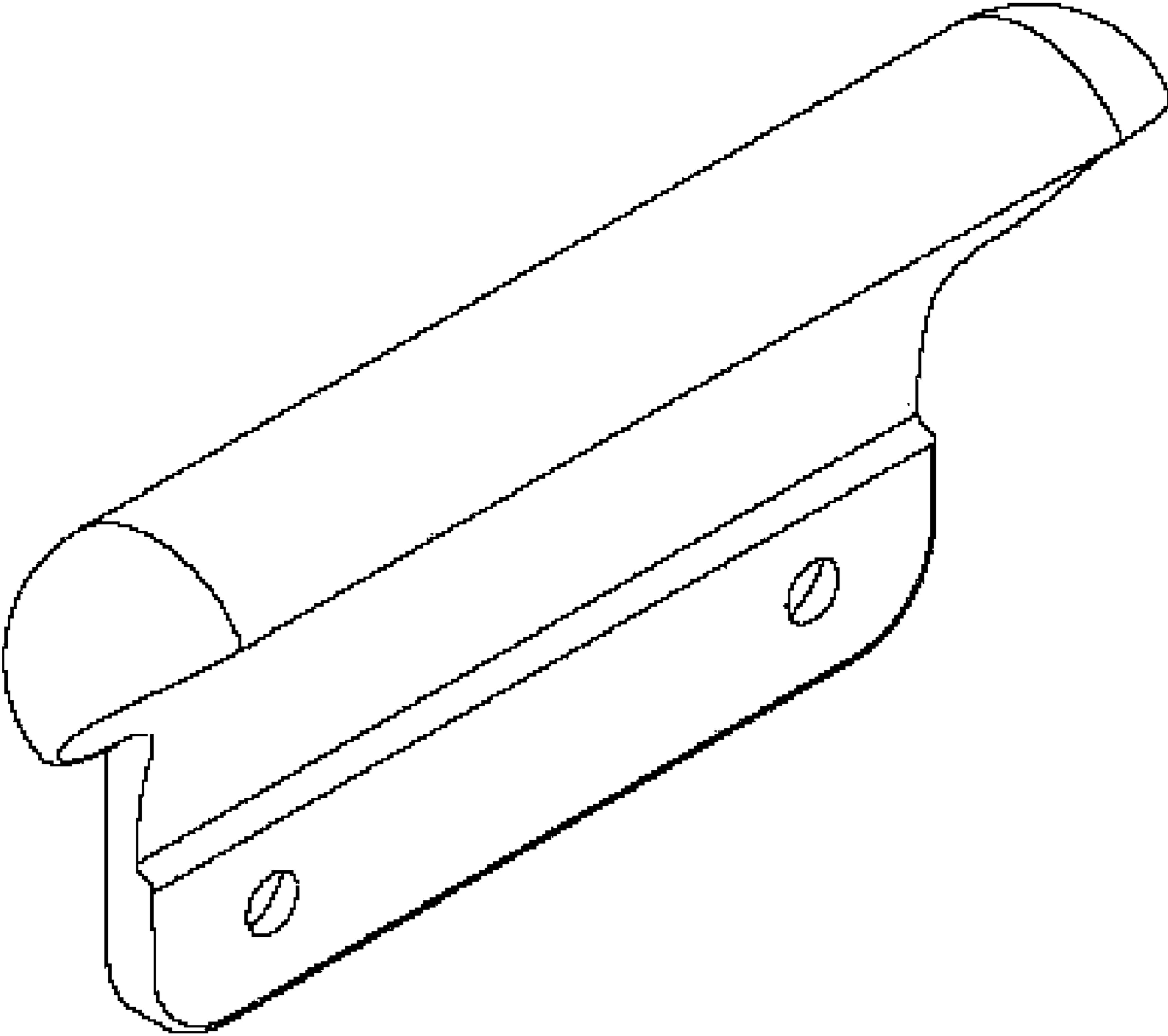


FIG. 2

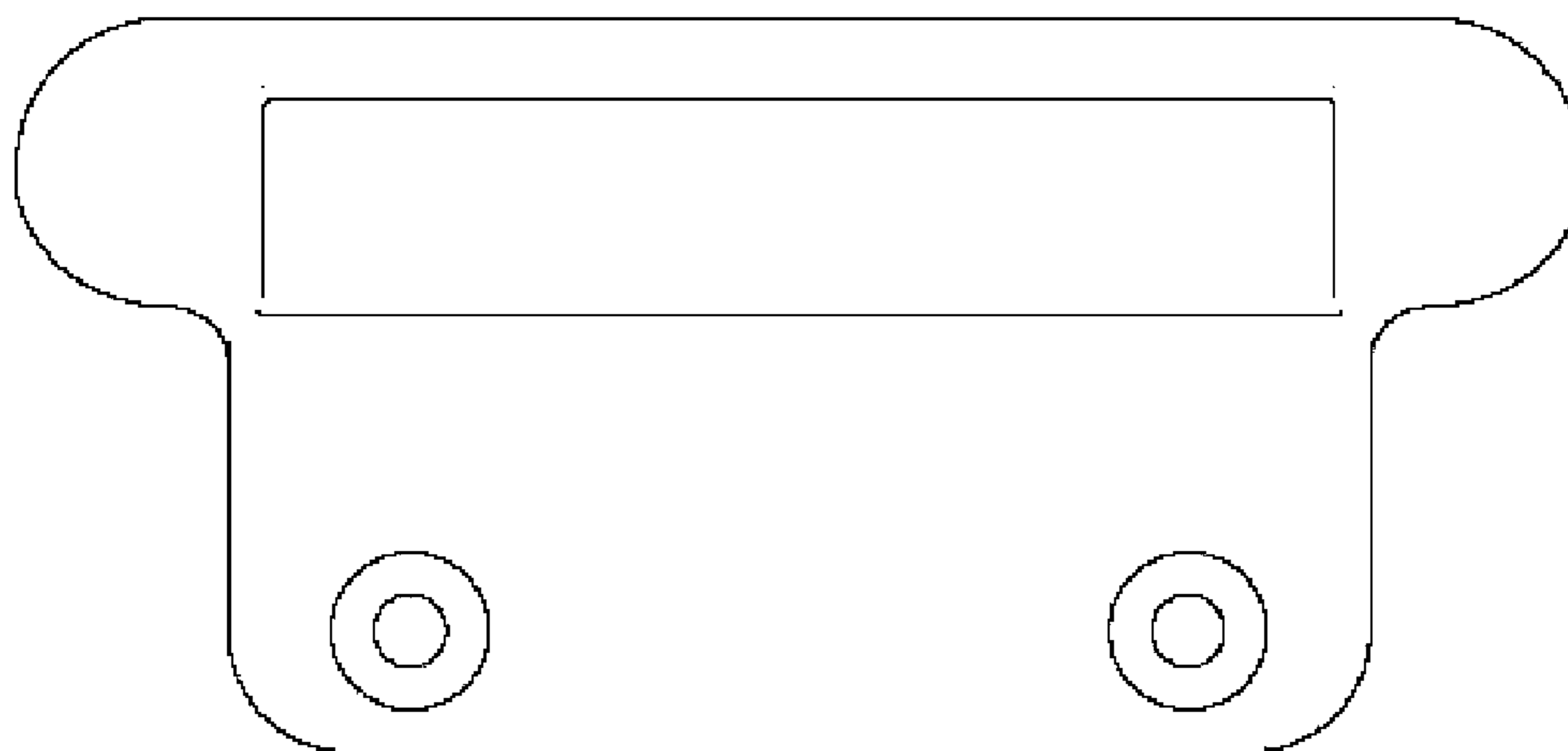


FIG. 3

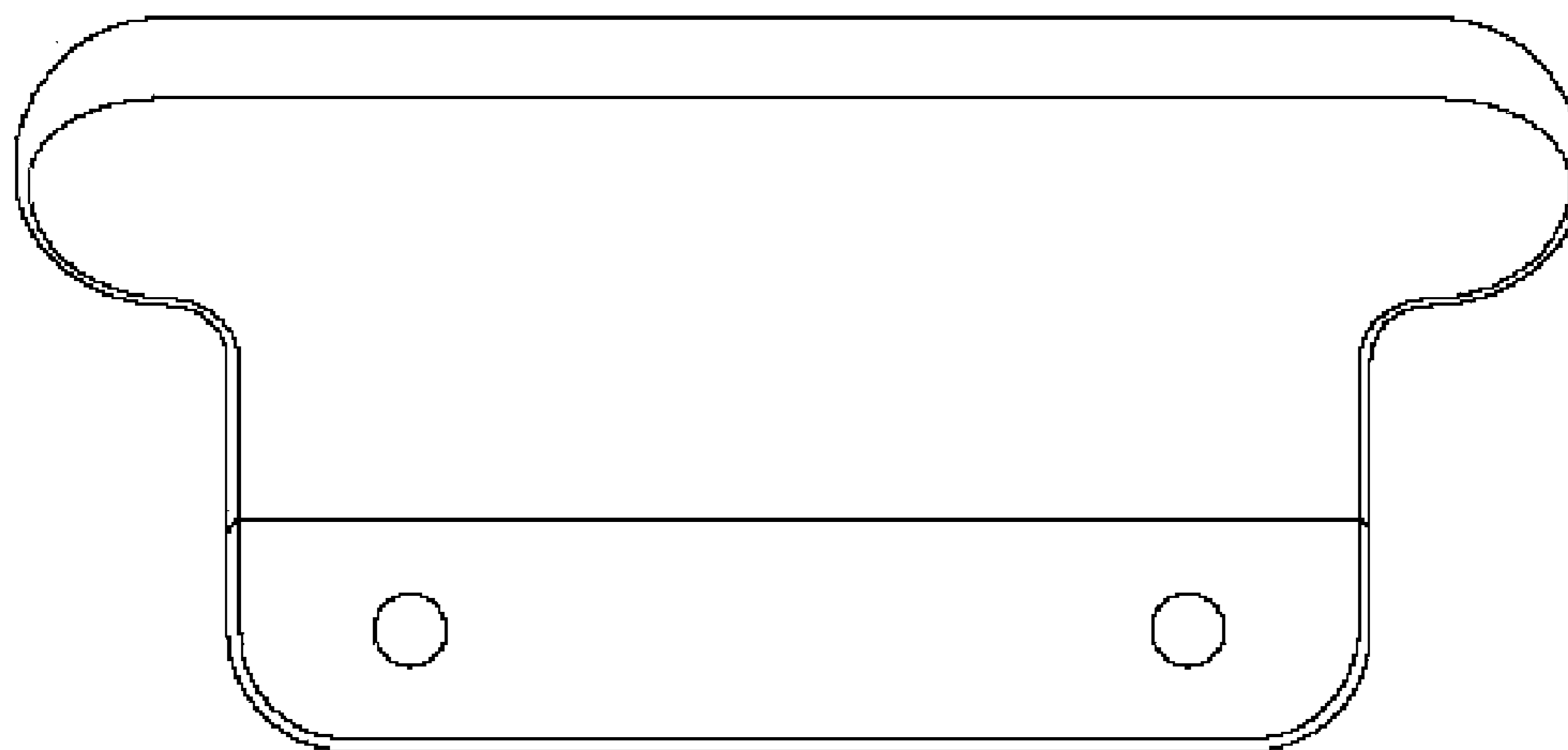


FIG. 4

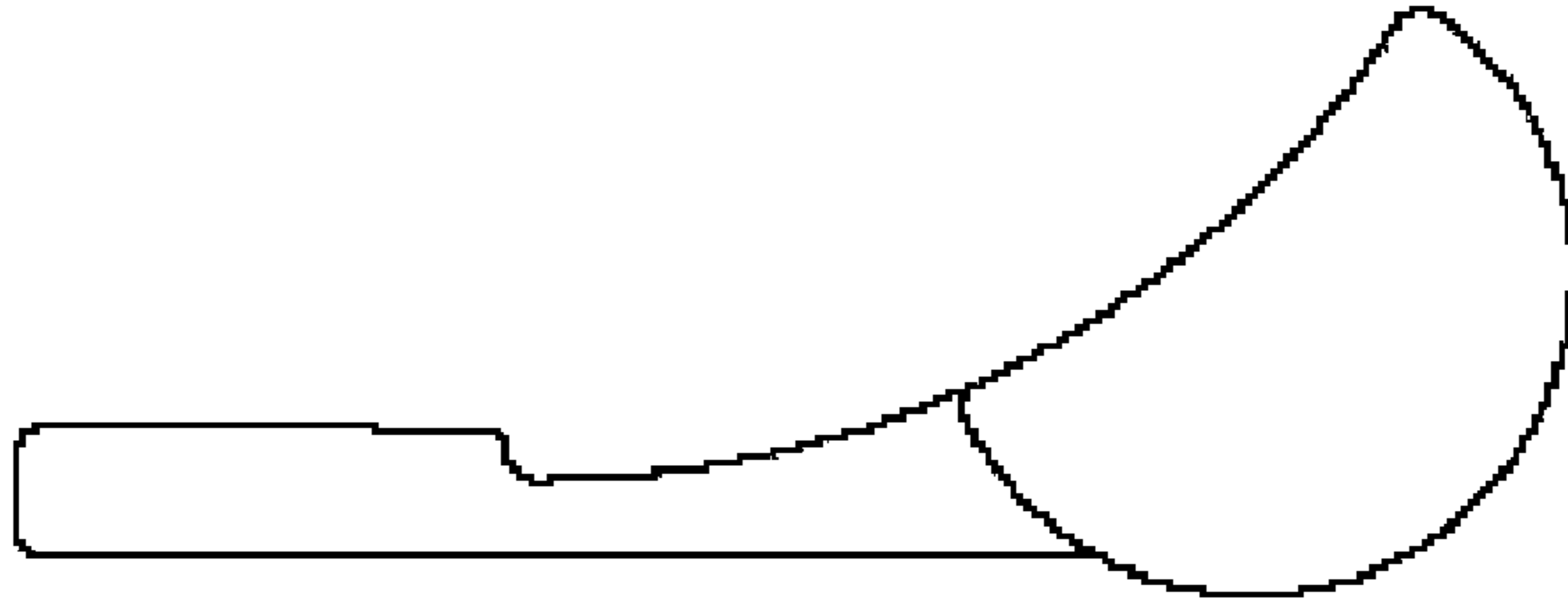


FIG. 5



FIG. 6

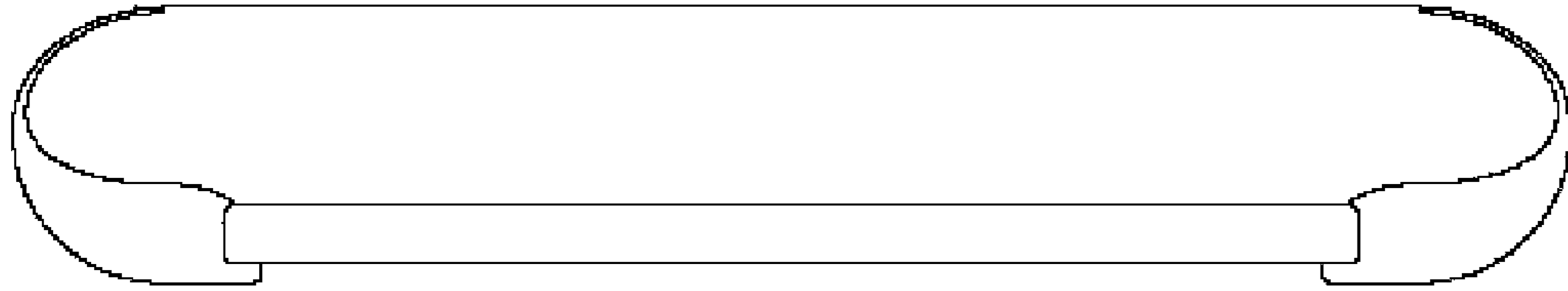


FIG. 7

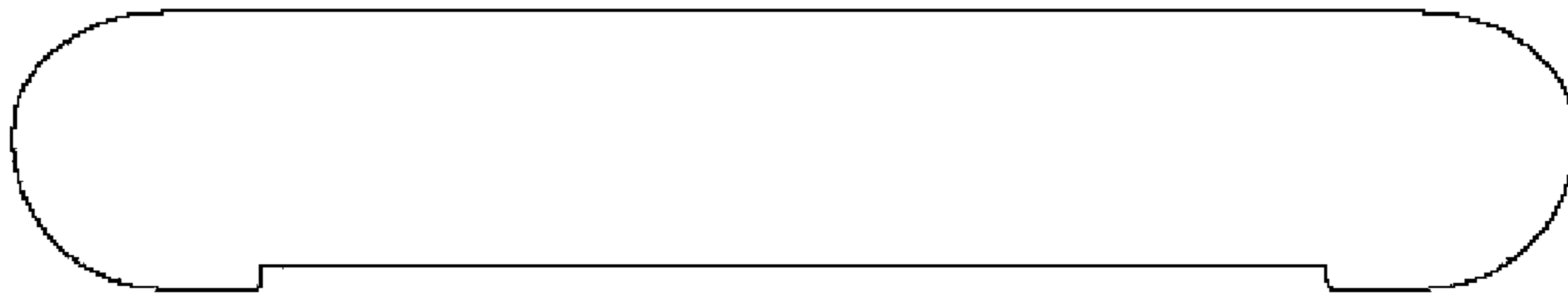


FIG. 8