

US00D639139S

(12) **United States Design Patent**
Misner et al.

(10) **Patent No.:** **US D639,139 S**
(45) **Date of Patent:** **** Jun. 7, 2011**

(54) **SHACKLE RELATED PORTION OF A LOCK**
(75) Inventors: **Michael O. Misner**, Lake Villa, IL (US);
Chi-Wen Liu, Taipei (TW)

D533,437 S * 12/2006 Ruan D8/343
D535,548 S * 1/2007 Lin D8/334
D540,155 S * 4/2007 Czerewko D8/367

(73) Assignee: **The Eastern Company**, Wheeling, IL
(US)

(**) Term: **14 Years**

(21) Appl. No.: **29/307,442**

(22) Filed: **Apr. 21, 2008**

(51) **LOC (9) Cl.** **08-07**

(52) **U.S. Cl.** **D8/343**

(58) **Field of Classification Search** D8/343,
D8/300, 310, 311, 315, 321, 330, 331, 333,
D8/334, 335, 336, 339, 382, 395, 367, 368,
D8/370, 373; 70/14, 18, 20, 24, 25, 28, 29,
70/33, 38 A, 38 B, 51, 53, 233, 56, 63; D6/300,
D6/317, 319, 549; D12/420; D19/65, 86,
D19/100; 160/330; 248/214, 215, 217.4,
248/218.2

See application file for complete search history.

(56) **References Cited**

U.S. PATENT DOCUMENTS

D48,604 S 2/1916 Oberholzer D8/334
1,420,578 A * 6/1922 Reichstein 70/26
2,805,457 A * 9/1957 Vaca 24/378.1
2,994,462 A * 8/1961 Hirsch et al. 223/85
D205,567 S * 8/1966 Chambers D6/317
D225,612 S * 12/1972 Nathanson D8/367
4,901,543 A * 2/1990 Appelbaum 70/53
D344,670 S * 3/1994 Kearns D8/367
5,586,375 A * 12/1996 Cooperman et al. 24/716
D392,540 S 3/1998 McDaid D8/334
D433,310 S * 11/2000 Luquire D8/333
6,298,694 B1 * 10/2001 Knoll 70/25
D453,467 S * 2/2002 Nakamura D8/334

OTHER PUBLICATIONS

Grammes catalog clips,tongues, Etc. p. 39, Date 1941.*
Printout Dated May 8, 2008 from NexTag Comparison Shopping
Website Showing Pelican Pelilock Padlock "Avaible Since Feb. 14,
2004", (Showing 4 Photos of Pelilock 1506 Product).

* cited by examiner

Primary Examiner — Stella Reid

Assistant Examiner — Derrick Holland

(74) *Attorney, Agent, or Firm* — David A. Burge

(57) **CLAIM**

We claim the ornamental design for shackle related portion of
a lock, as shown and described.

DESCRIPTION

FIG. 1 is a perspective view of a first embodiment of a shackle
related portion of a lock showing our new design;

FIG. 2 is a front elevation view thereof, the back elevation
being a mirror image;

FIG. 3 is a top plan view thereof;

FIG. 4 is a bottom plan view thereof;

FIG. 5 is a right side elevation view thereof;

FIG. 6 is a left side elevation view thereof;

FIG. 7 is a perspective view of a second embodiment of a
shackle related portion of a lock showing our new design;

FIG. 8 is a front elevation view thereof, the back elevation
being a mirror image;

FIG. 9 is a top plan view thereof;

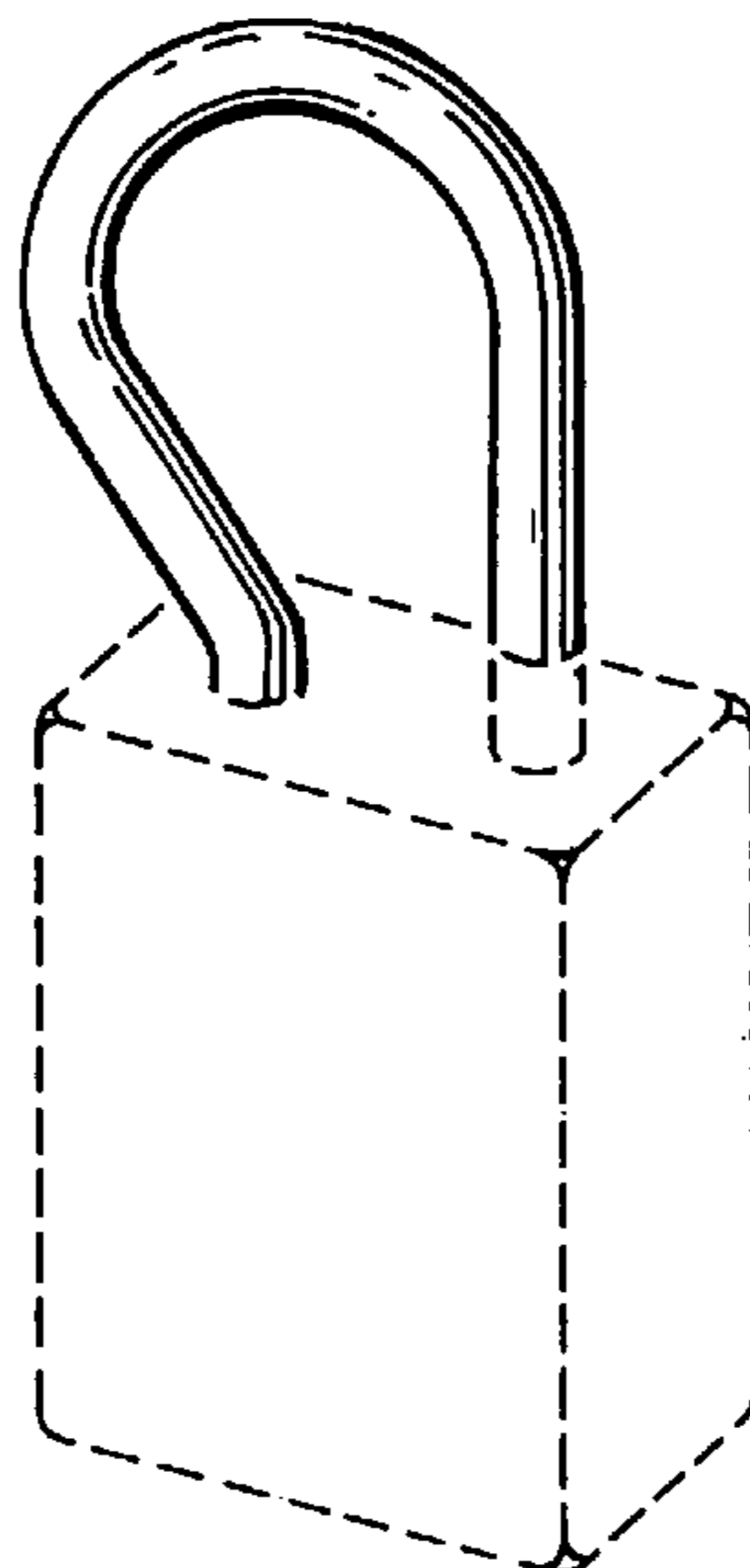
FIG. 10 is a bottom plan view thereof;

FIG. 11 is a right side elevation view thereof; and,

FIG. 12 is a left side elevation view thereof.

The broken lines shown represent unclaimed subject matter
and form no part of the claim.

1 Claim, 4 Drawing Sheets



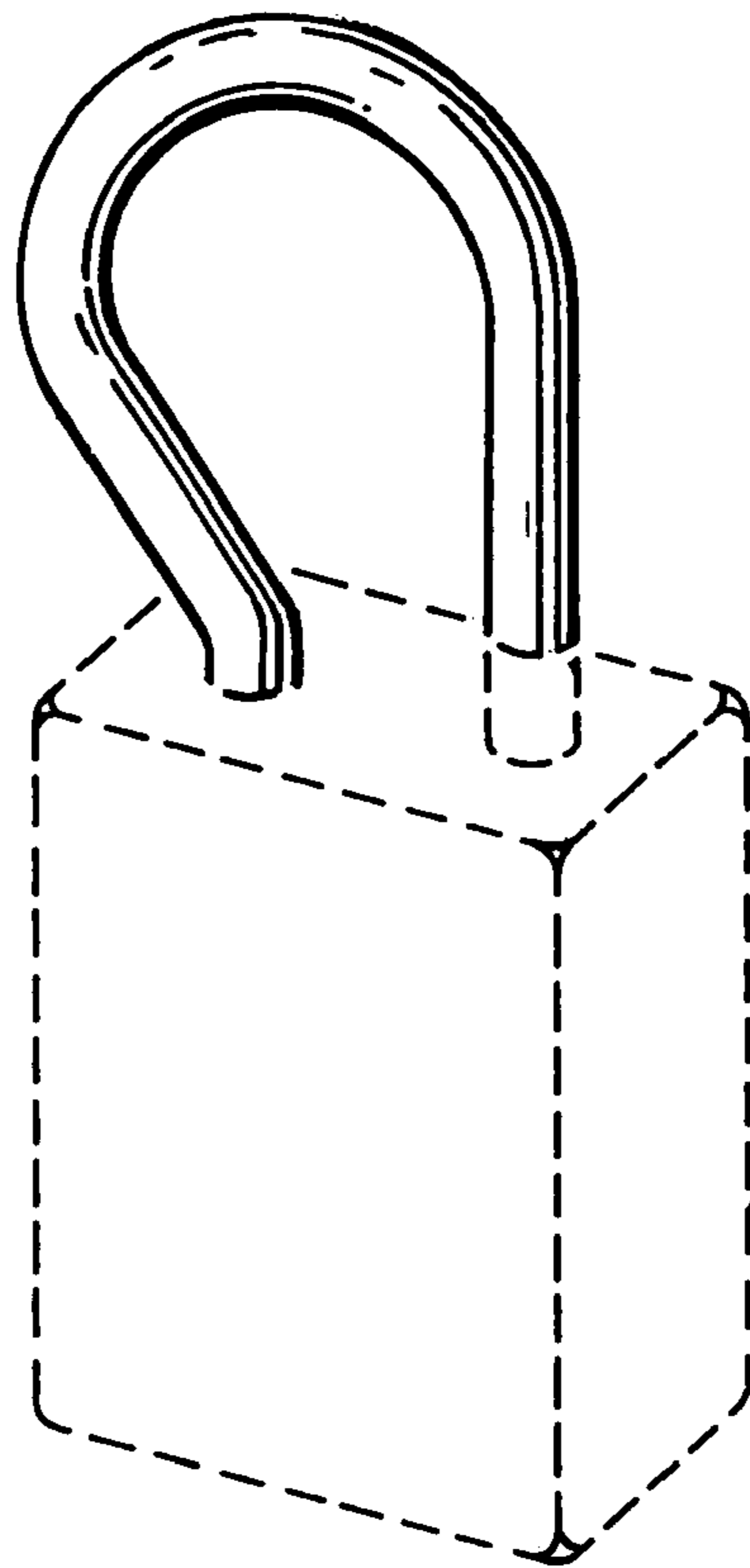


FIG. 1

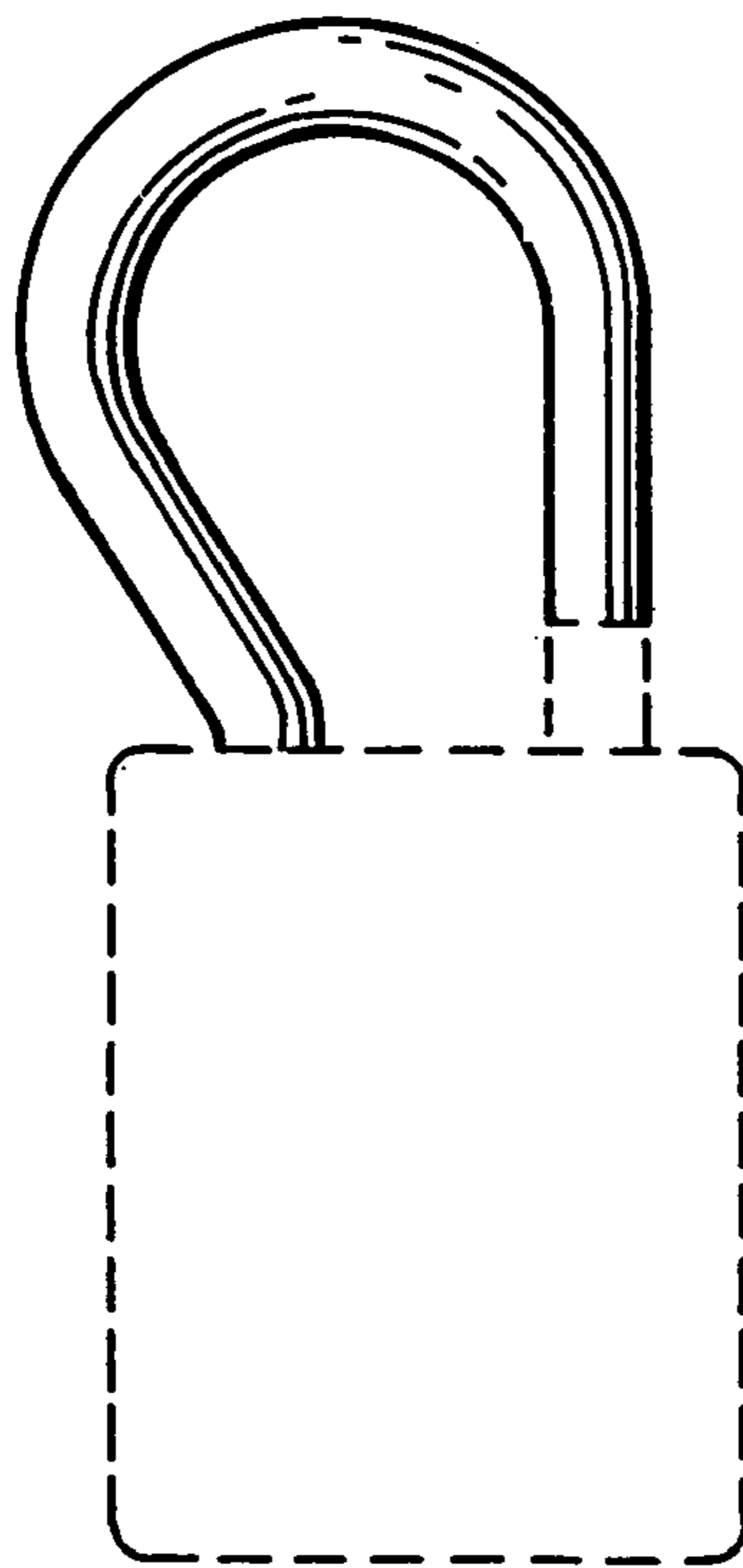


FIG. 2

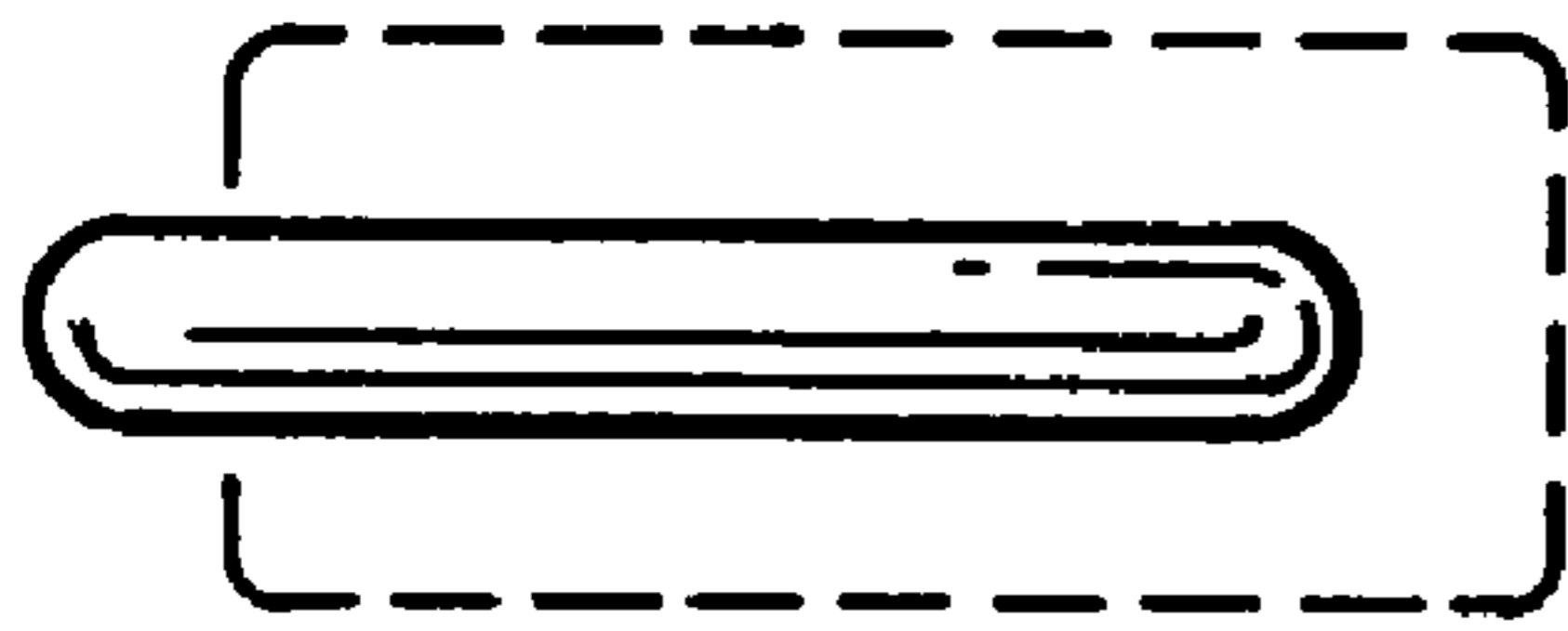


FIG. 3



FIG. 4

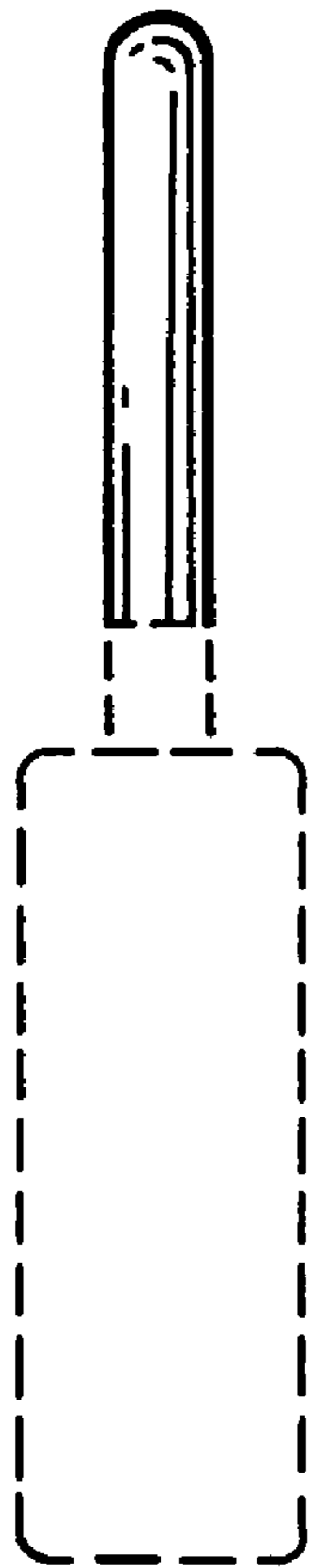


FIG. 5

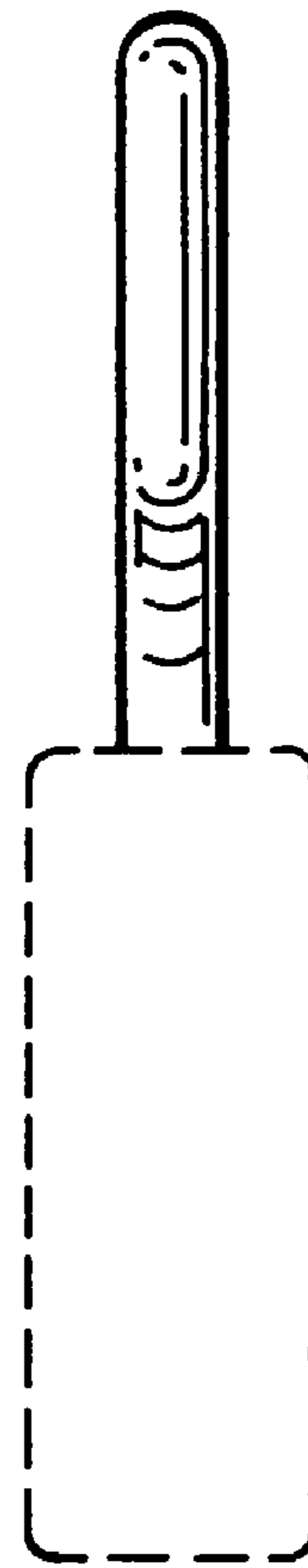


FIG. 6

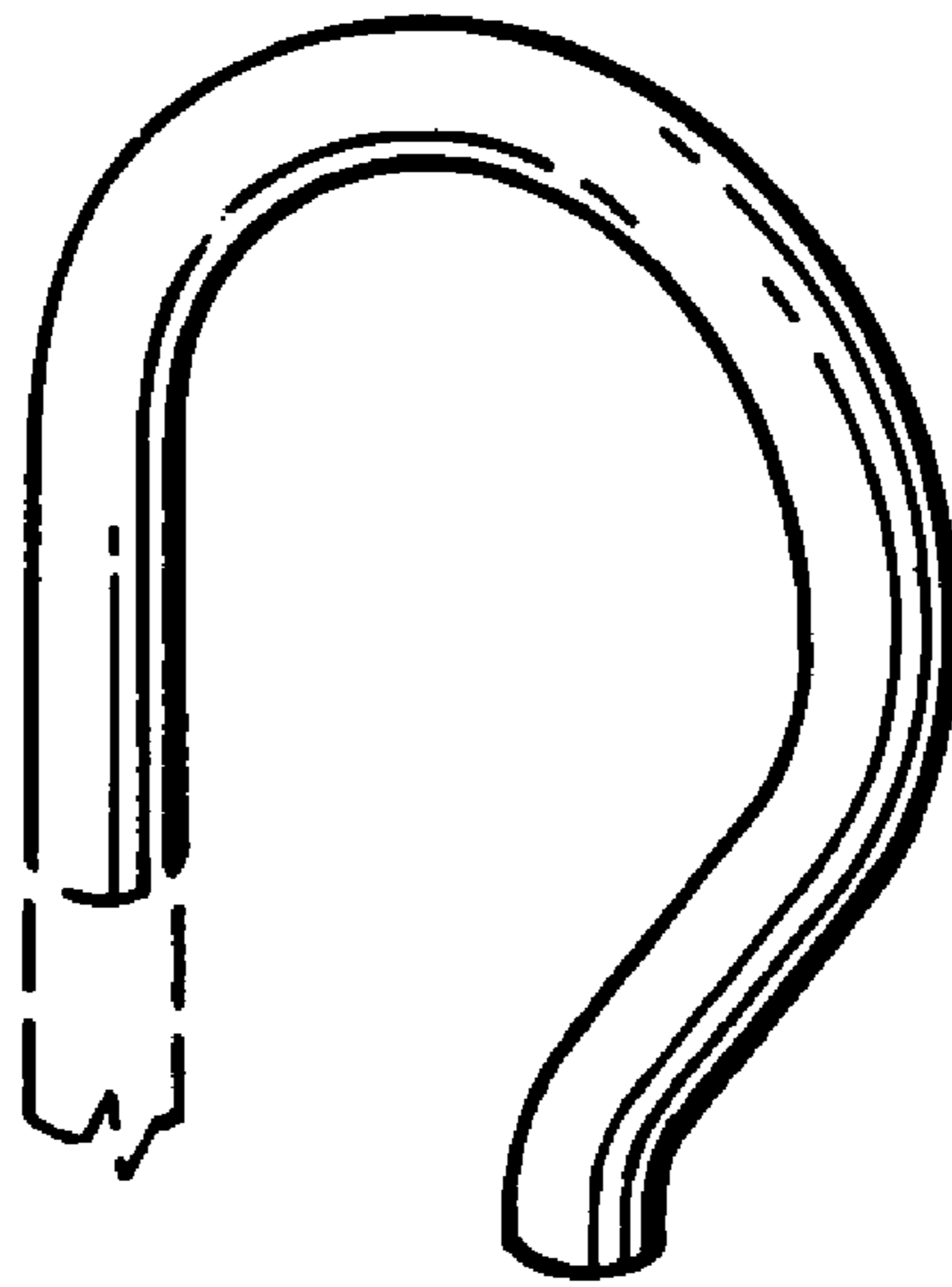


FIG. 7

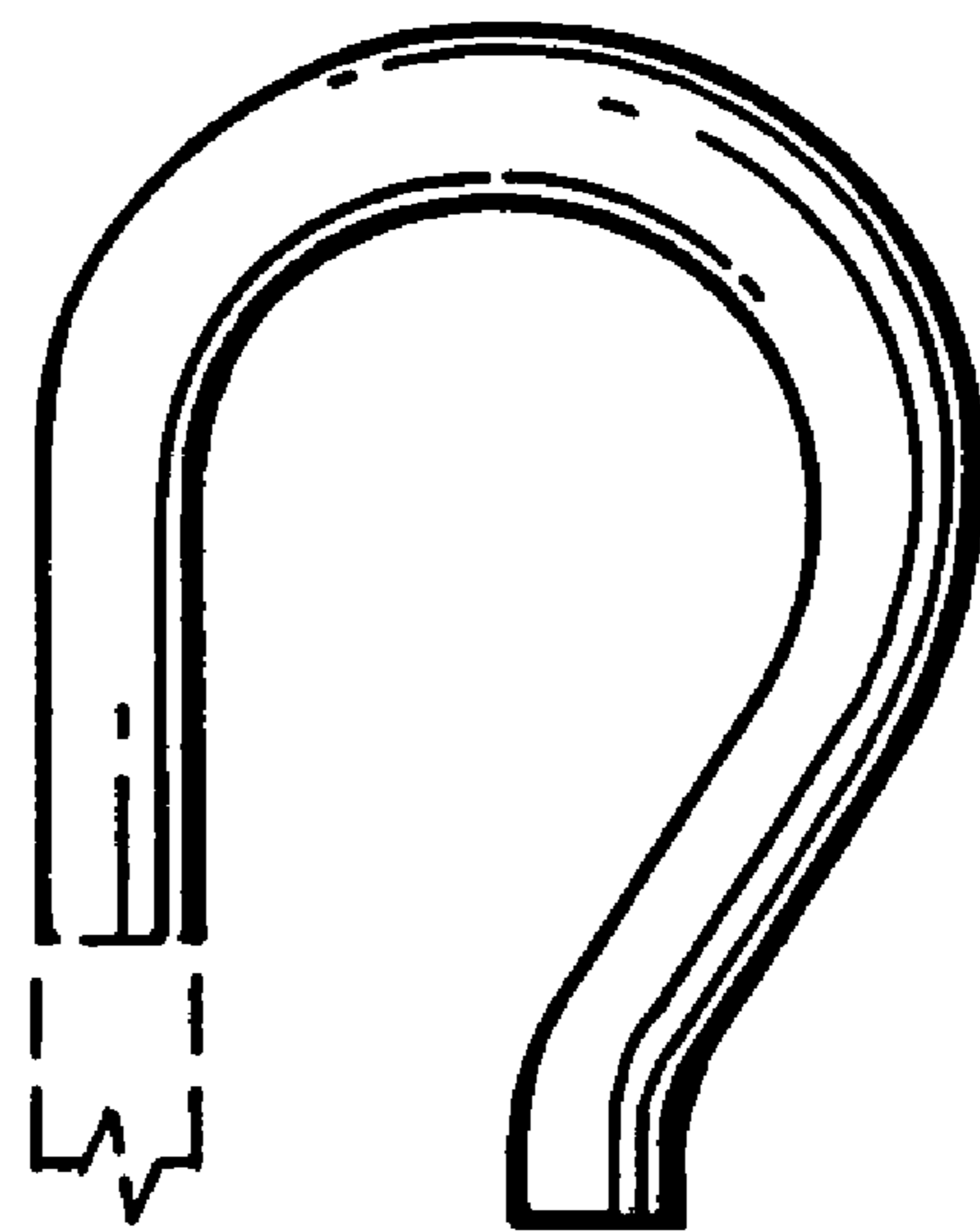


FIG. 8



FIG. 9



FIG. 10



FIG. 11



FIG. 12