



US00D639138S

(12) **United States Design Patent**
Gordon

(10) **Patent No.:** **US D639,138 S**

(45) **Date of Patent:** **** Jun. 7, 2011**

(54) **SWING DOOR CLOSER**

(75) Inventor: **Graham Gordon**, Brampton (CA)

(73) Assignee: **Tote'l Industries Corp.**, Brampton,
Ontario (CA)

(**) Term: **14 Years**

(21) Appl. No.: **29/377,649**

(22) Filed: **Oct. 25, 2010**

(51) **LOC (9) Cl.** **08-07**

(52) **U.S. Cl.** **D8/330; D9/336; D9/339**

(58) **Field of Classification Search** D8/30,
D8/331, 336-339, 343, 341, 349, 382, 400;
70/14, 38 R, 51, 52, 57, 57.1, 101, 106; 292/32,
292/33, 4, 45, 56, 57, 71, 74, 78, 63, 137,
292/194

See application file for complete search history.

(56) **References Cited**

U.S. PATENT DOCUMENTS

1,682,772	A *	9/1928	Cahill	160/189
D217,114	S *	4/1970	Bremicker	D8/338
D258,489	S *	3/1981	Gipson	D8/333
D258,715	S *	3/1981	Gipson	D8/333
6,131,969	A *	10/2000	Natkins	292/323

6,722,715	B1 *	4/2004	Chiang	292/251.5
D489,595	S *	5/2004	Gleichauf et al.	D8/336
D531,637	S *	11/2006	Chotai et al.	D14/486
D565,932	S *	4/2008	Koros et al.	D8/338
7,690,486	B2 *	4/2010	Rhodes et al.	192/18 B
D623,925	S *	9/2010	Wu	D8/339

* cited by examiner

Primary Examiner — Prabhakar Deshmukh

(74) *Attorney, Agent, or Firm* — Sand & Sebolt

(57) **CLAIM**

The ornamental design for a swing door closer, as shown and described.

DESCRIPTION

FIG. 1 is a front perspective view of a swing door closure showing our new design;
FIG. 2 is a rear perspective view thereof;
FIG. 3 is a top view thereof;
FIG. 4 is a bottom view thereof;
FIG. 5 is a left side view thereof;
FIG. 6 is a right side view thereof;
FIG. 7 is a front view thereof; and,
FIG. 8 is a rear view thereof.

The broken lines showing portions of a door is for illustrative purpose only and forms no part of the claimed design.

1 Claim, 5 Drawing Sheets

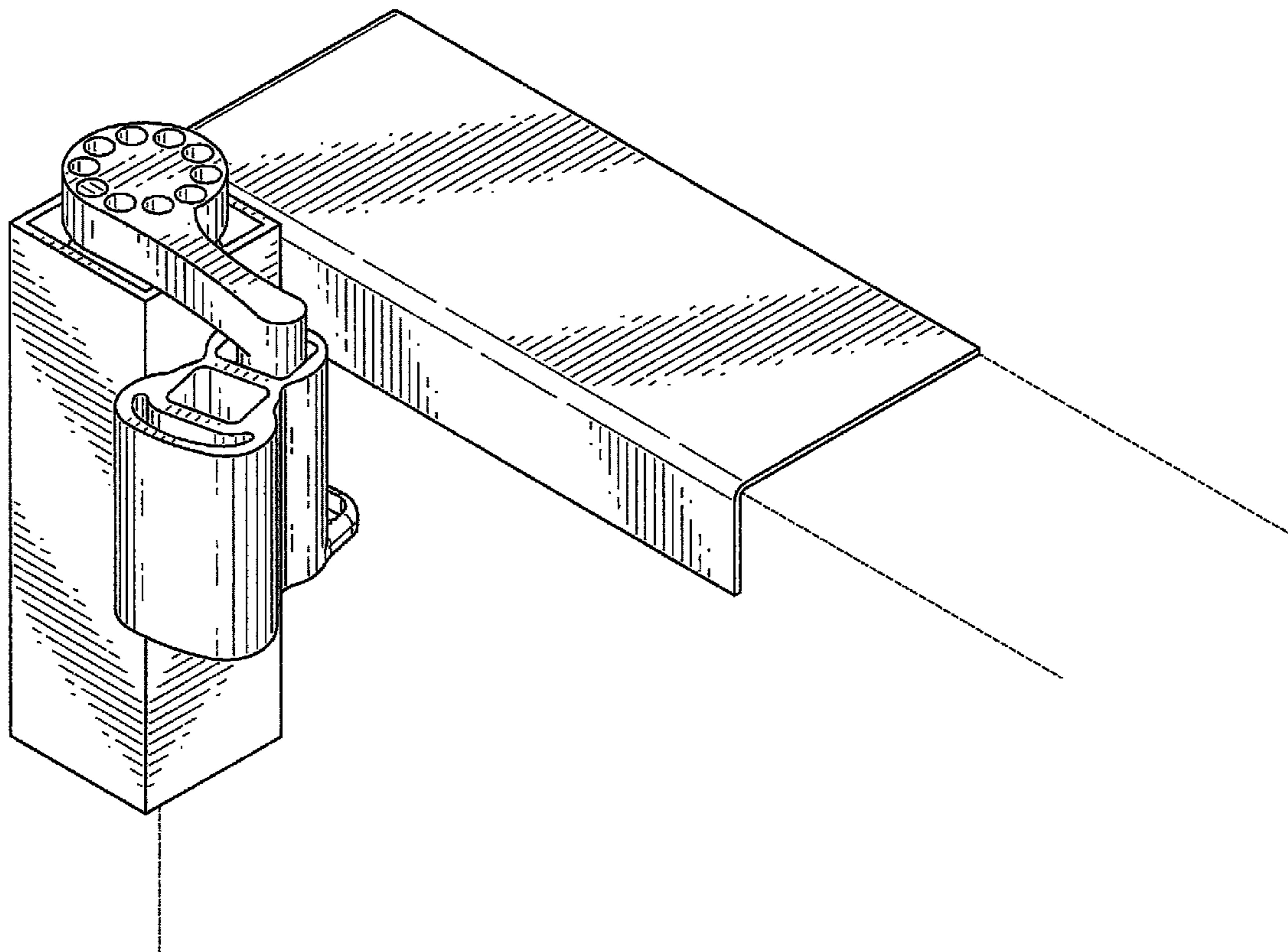
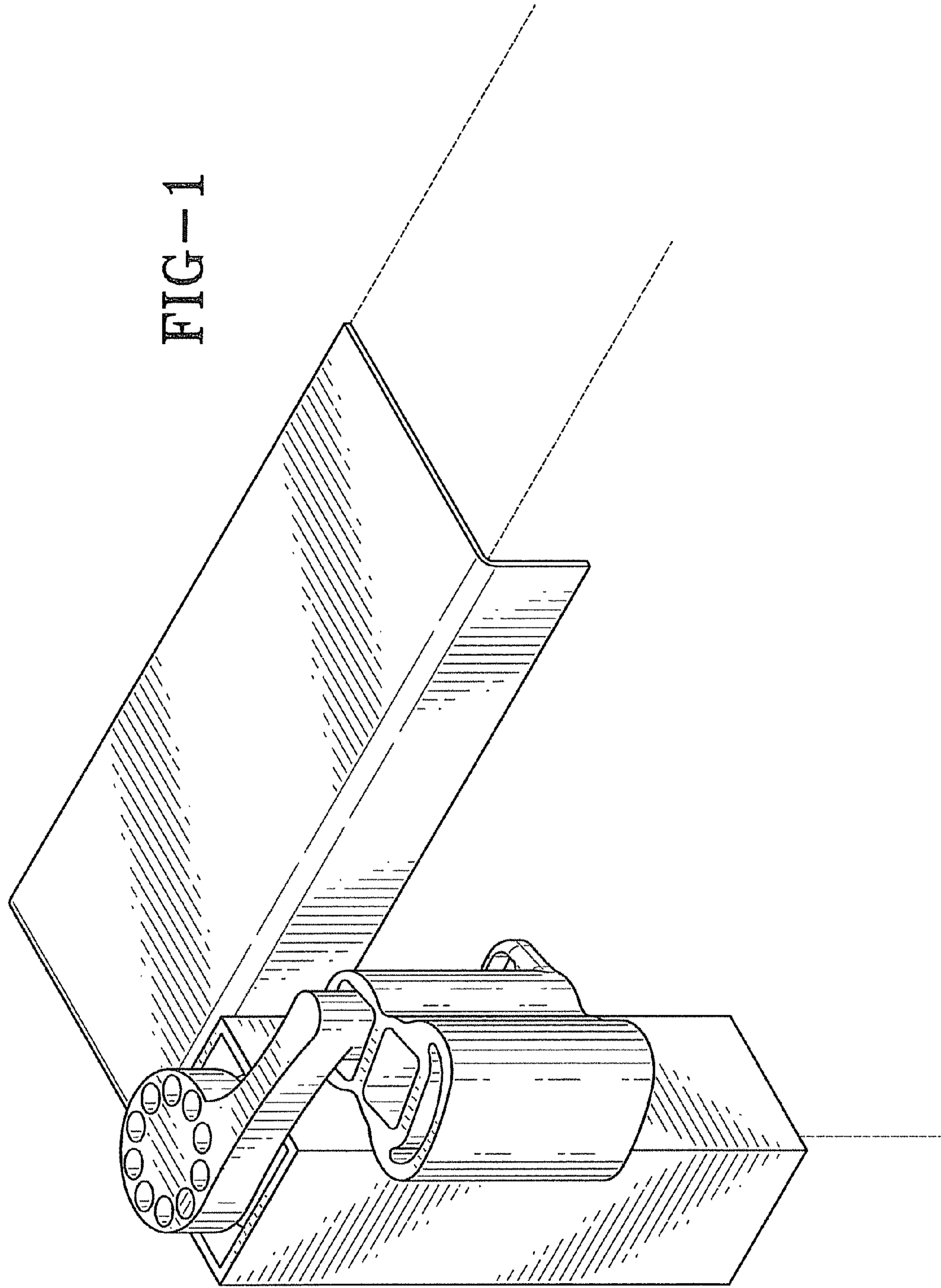


FIG--1



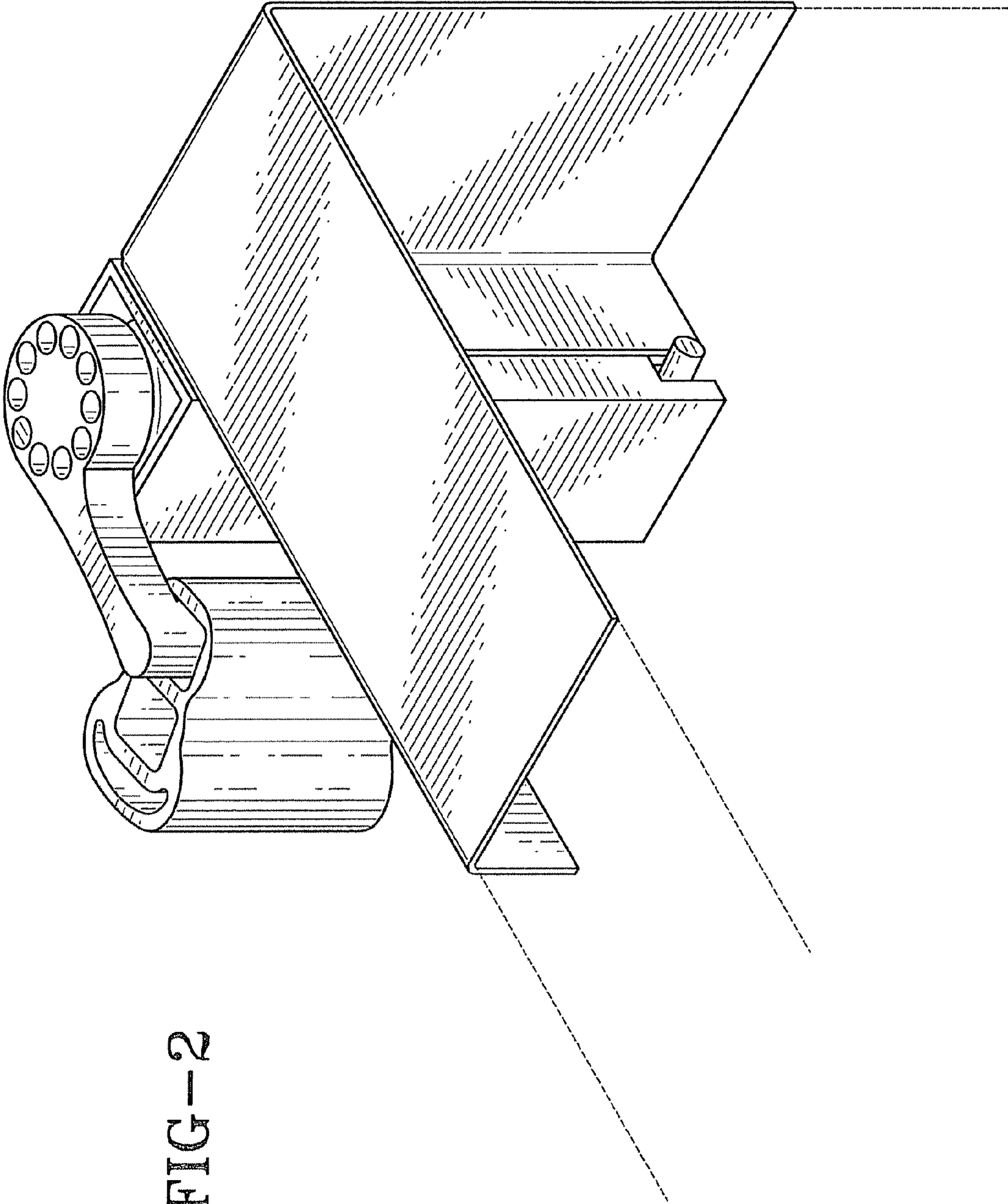


FIG-2

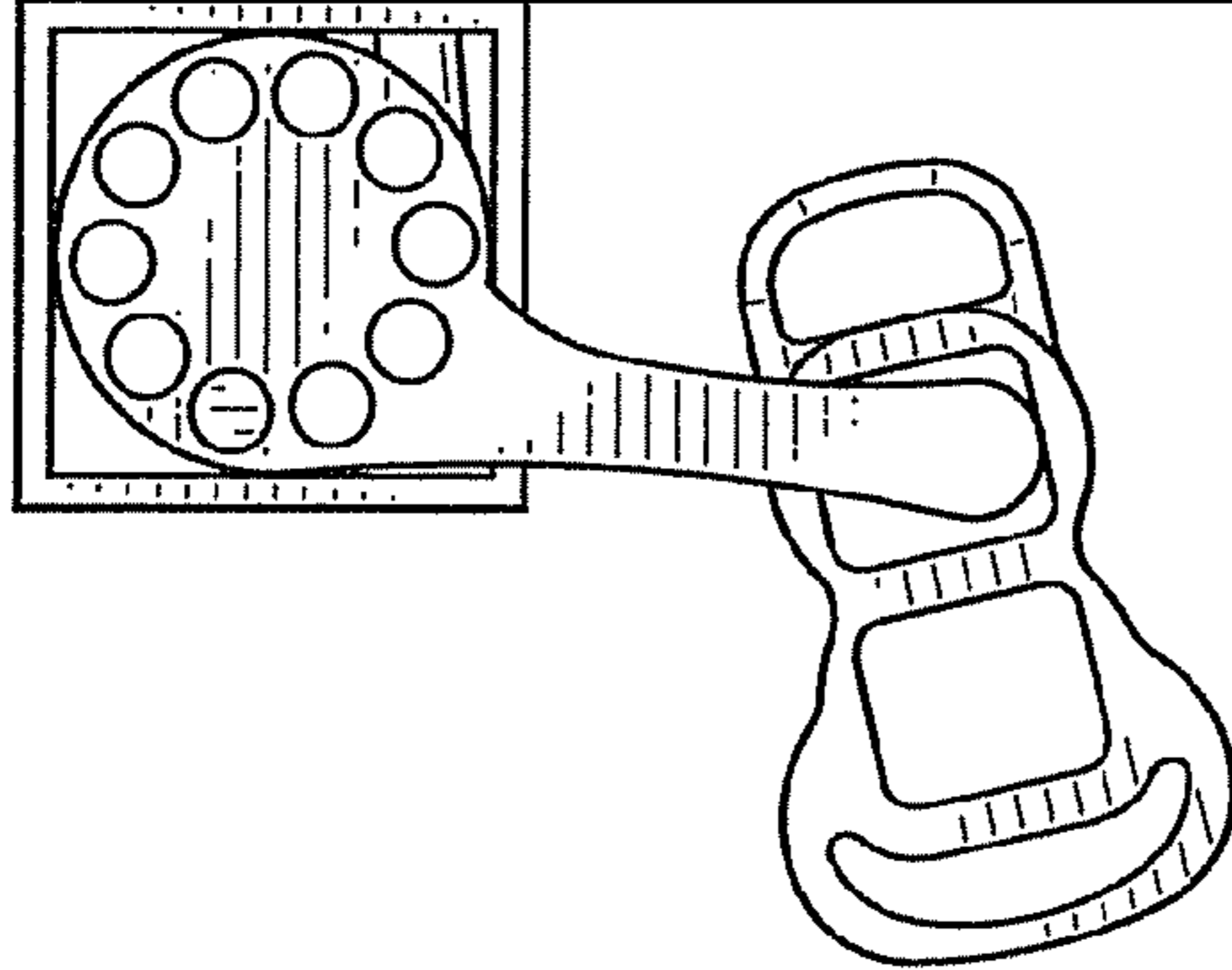
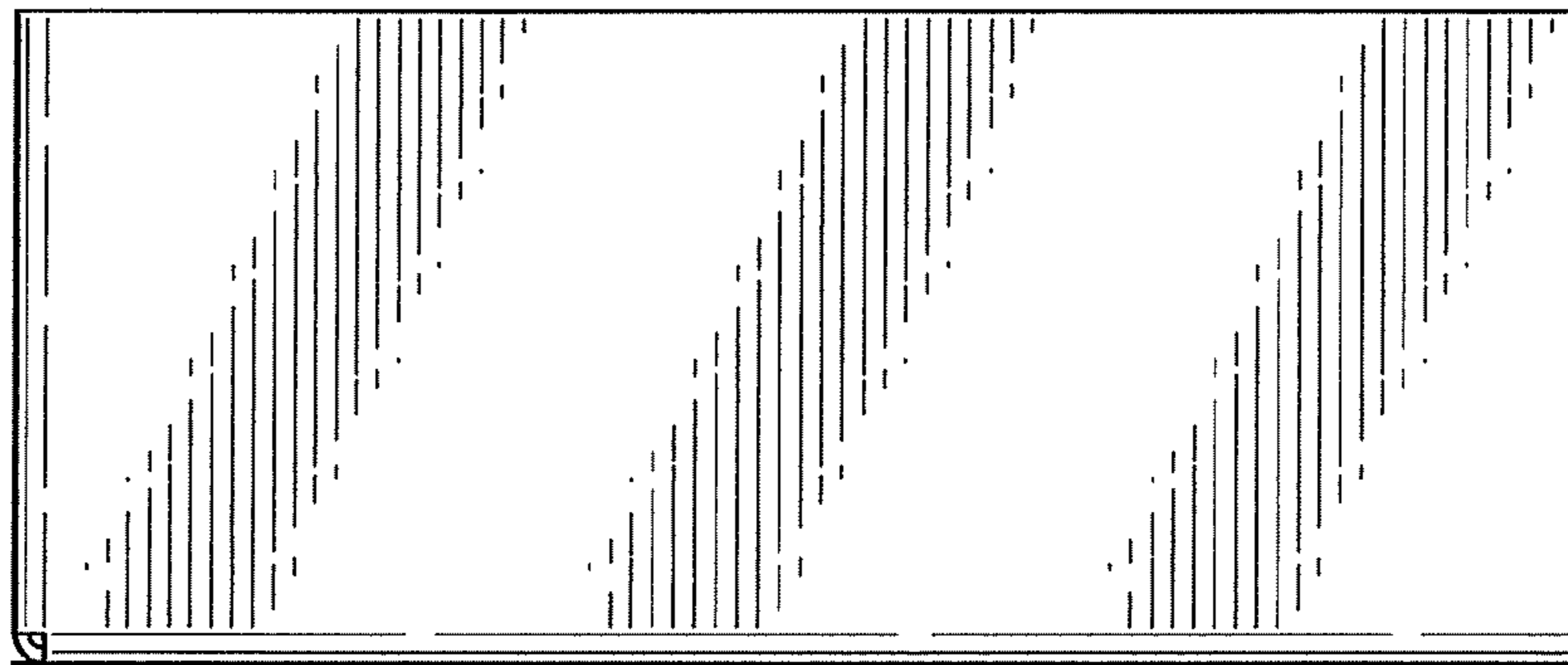


FIG-3

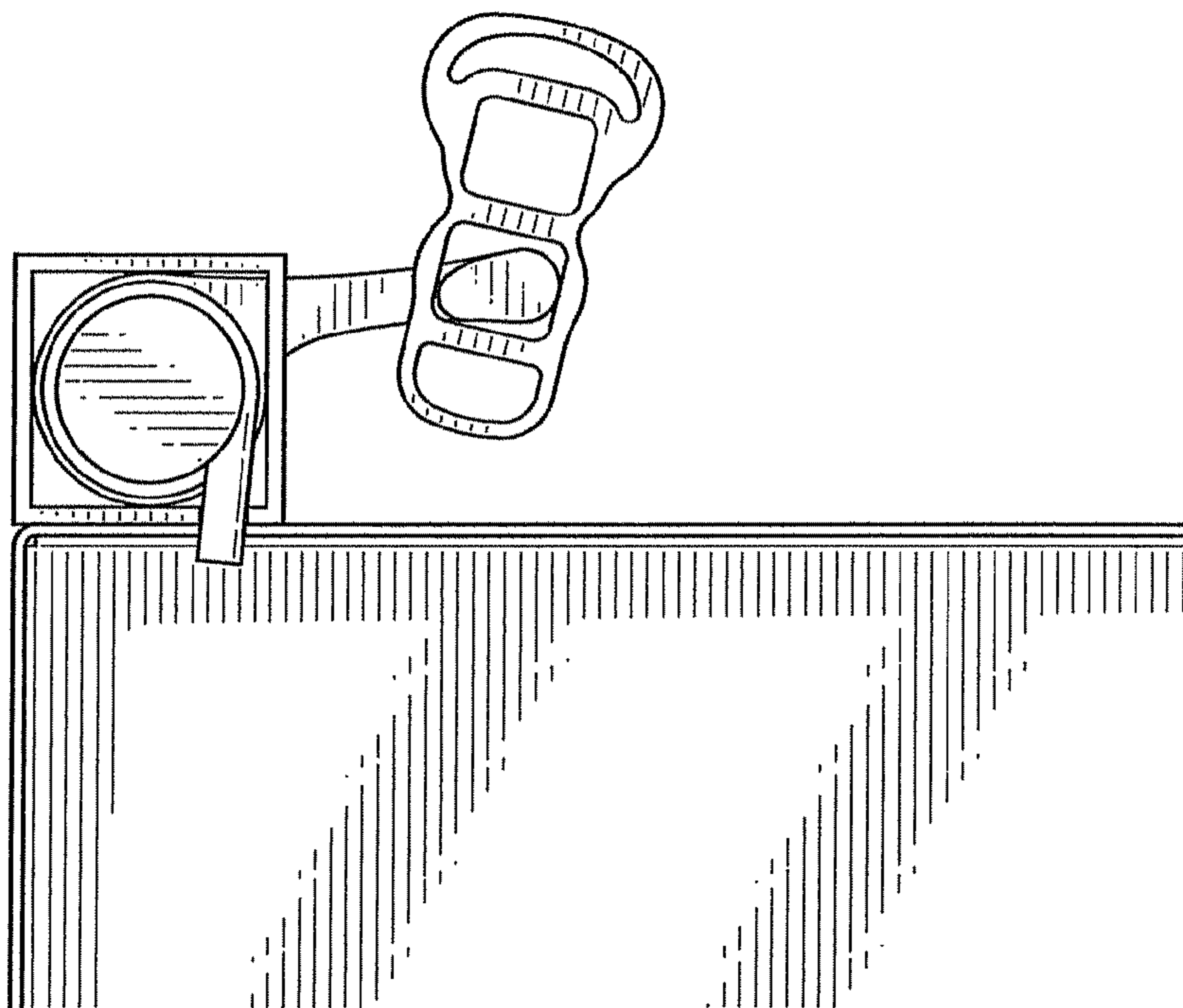


FIG-4

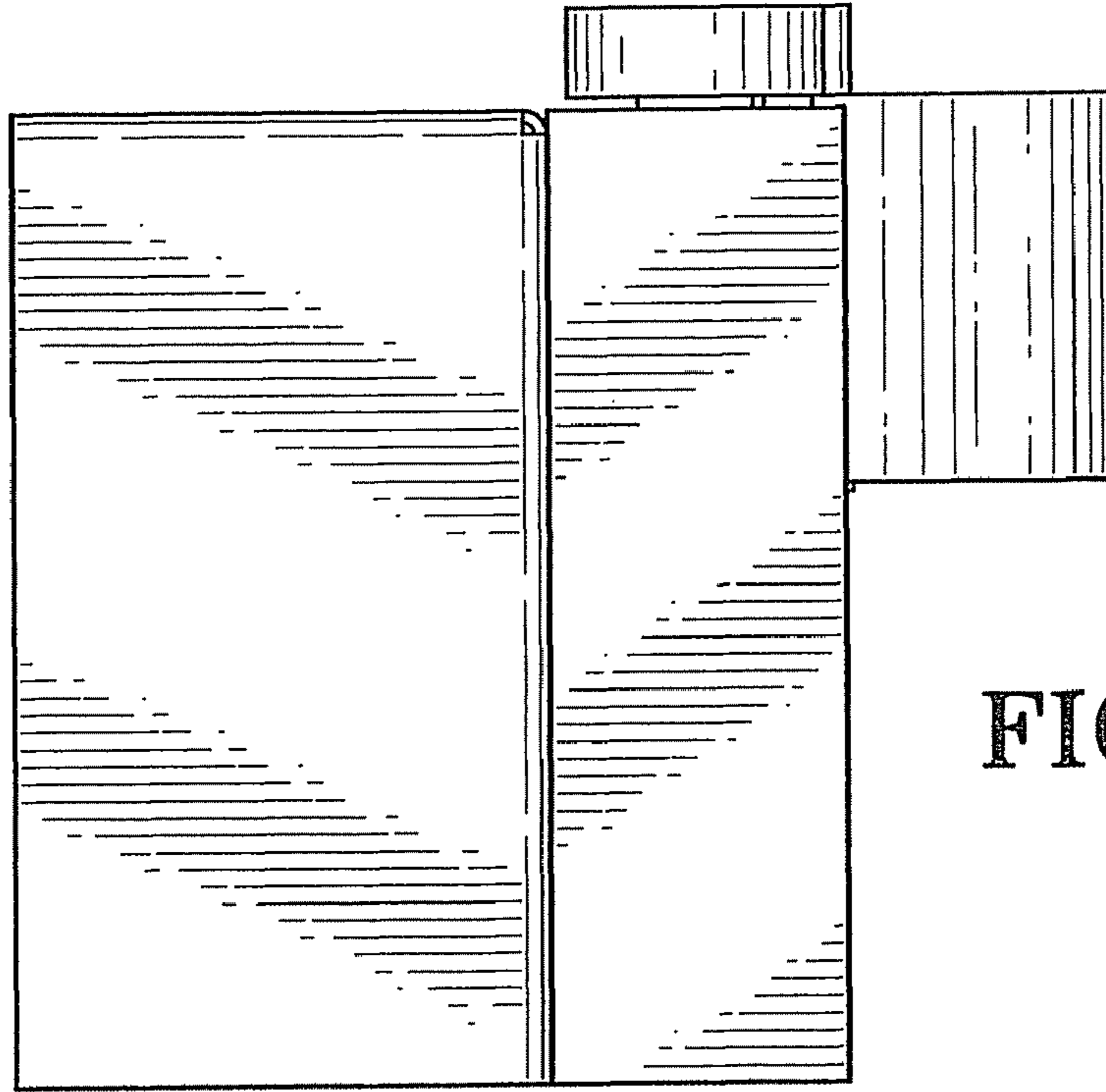


FIG-5

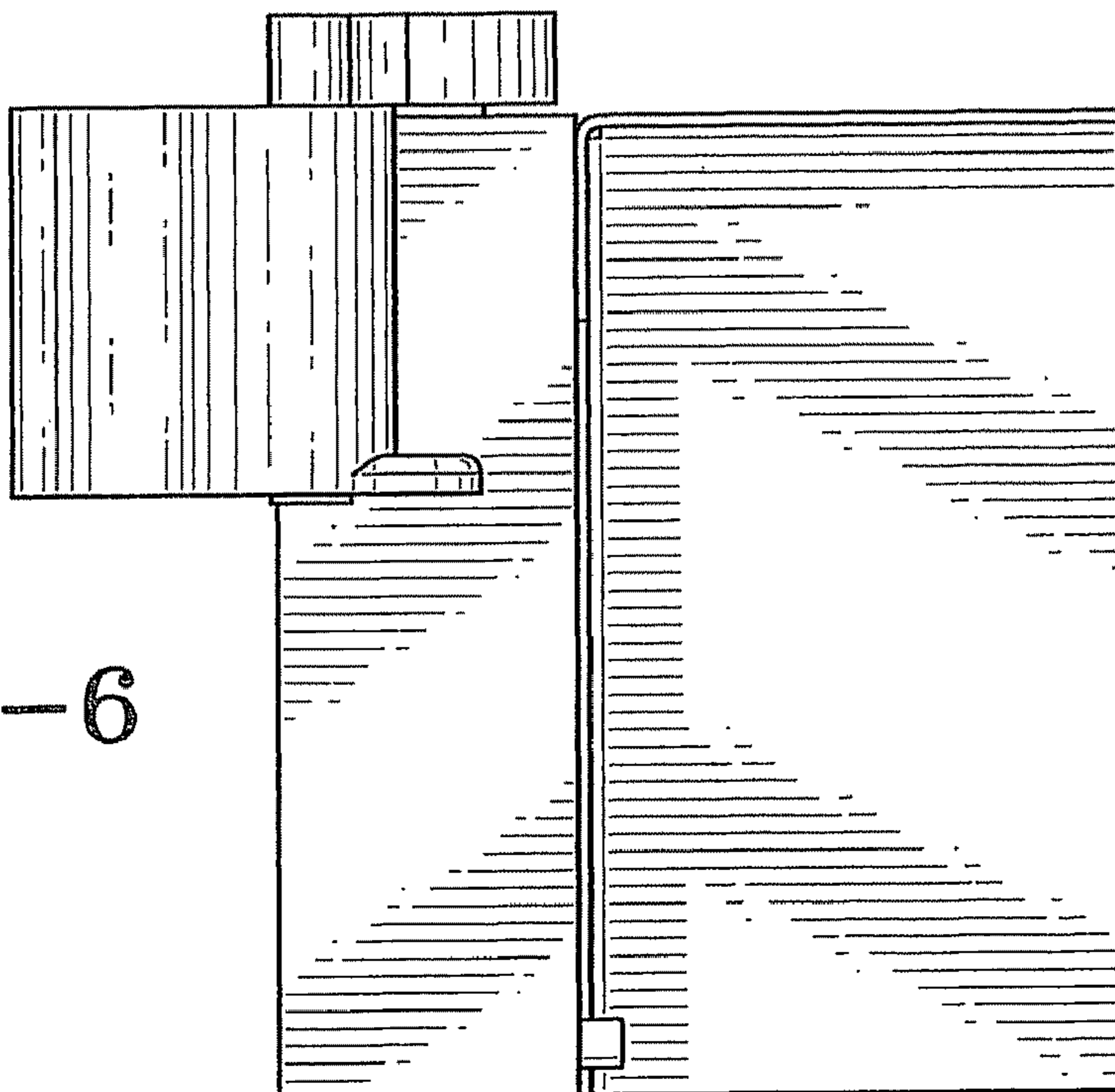


FIG-6

