



US00D639136S

(12) **United States Design Patent**
Yamaguchi et al.

(10) **Patent No.:** **US D639,136 S**
(45) **Date of Patent:** **** Jun. 7, 2011**

(54) **DOOR CLOSER**

(75) Inventors: **Koushi Yamaguchi**, Tokyo (JP);
Kazuaki Kashiwaguma, Tokyo (JP);
Mitsuru Sugiura, Tokyo (JP)

(73) Assignee: **Sugatsune Kogyo Co., Ltd.**, Tokyo (JP)

(**) Term: **14 Years**

(21) Appl. No.: **29/371,169**

(22) Filed: **Nov. 9, 2010**

(30) **Foreign Application Priority Data**

May 10, 2010 (JP) 2010-011338

(51) **LOC (9) Cl.** **08-07**

(52) **U.S. Cl.** **D8/330**

(58) **Field of Classification Search** D8/330,
D8/346, 343; 16/49, 71, 52, 58, 62
See application file for complete search history.

(56) **References Cited**

U.S. PATENT DOCUMENTS

2,855,623	A *	10/1958	Schlage	16/59
2,994,906	A *	8/1961	Check	16/51
3,777,423	A *	12/1973	Coulter et al.	49/31
3,905,063	A *	9/1975	Coulter et al.	16/48.5
D241,512	S *	9/1976	Hiroshima	D8/330
4,231,134	A *	11/1980	Schoker	16/49
4,286,412	A *	9/1981	Stevens	49/379
D295,254	S *	4/1988	Matsuo et al.	D8/330

D355,580	S *	2/1995	Salena et al.	D8/330
D364,081	S *	11/1995	Yates et al.	D8/330
D429,992	S *	8/2000	Ginzel et al.	D8/330
6,421,876	B1 *	7/2002	Ginzel et al.	16/79
D587,092	S *	2/2009	Kaluza	D8/330

* cited by examiner

Primary Examiner — Prabhakar Deshmukh

(74) *Attorney, Agent, or Firm* — Bacon & Thomas, PLLC

(57) **CLAIM**

The ornamental design for a door closer, as shown and described.

DESCRIPTION

FIG. 1 is a perspective view of a door closer showing our new design;

FIG. 2 is a front elevational view thereof;

FIG. 3 is a rear elevational view thereof;

FIG. 4 is a top plan view thereof;

FIG. 5 is a bottom plan view thereof;

FIG. 6 is a left side elevational view thereof;

FIG. 7 is a right side elevational view thereof;

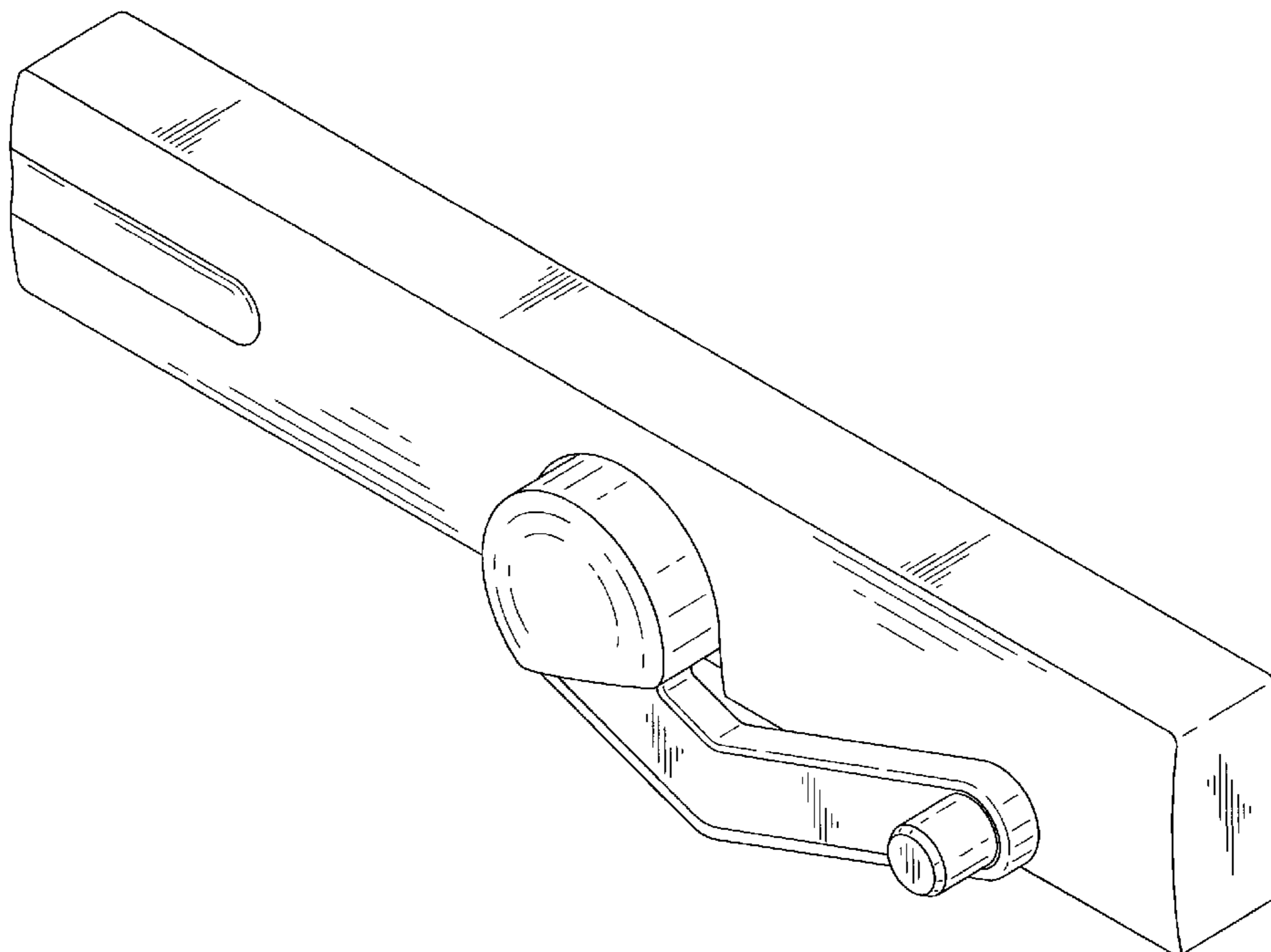
FIG. 8 is a front elevational view thereof, in an alternate position with arm part moved;

FIG. 9 is rear perspective view thereof, in an alternate position with arm part moved; and,

FIG. 10 is a perspective view thereof, shown in it's environmental use.

The broken lines are for illustrative purpose only and form no part of the claimed design.

1 Claim, 7 Drawing Sheets



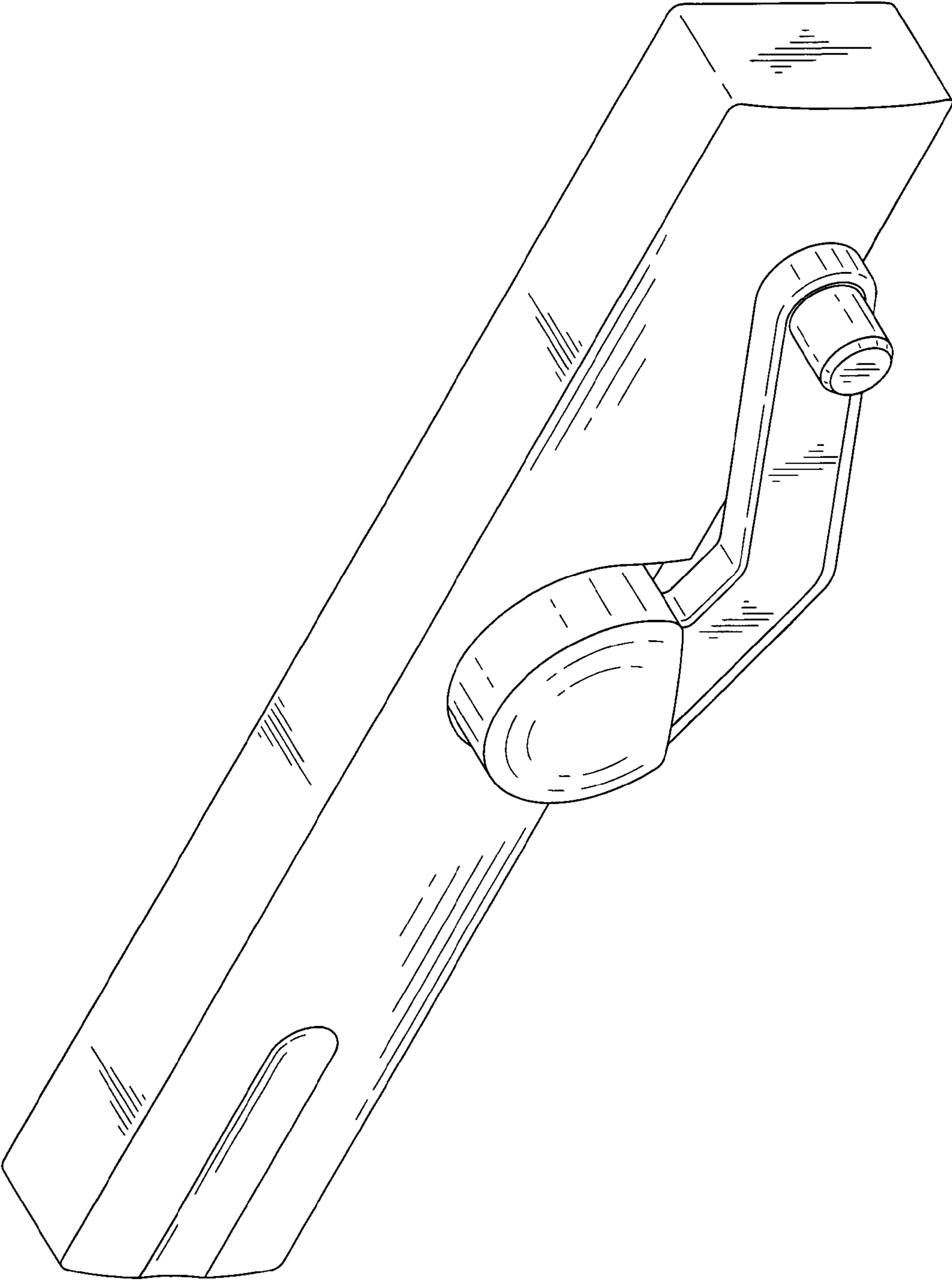


FIG. 1

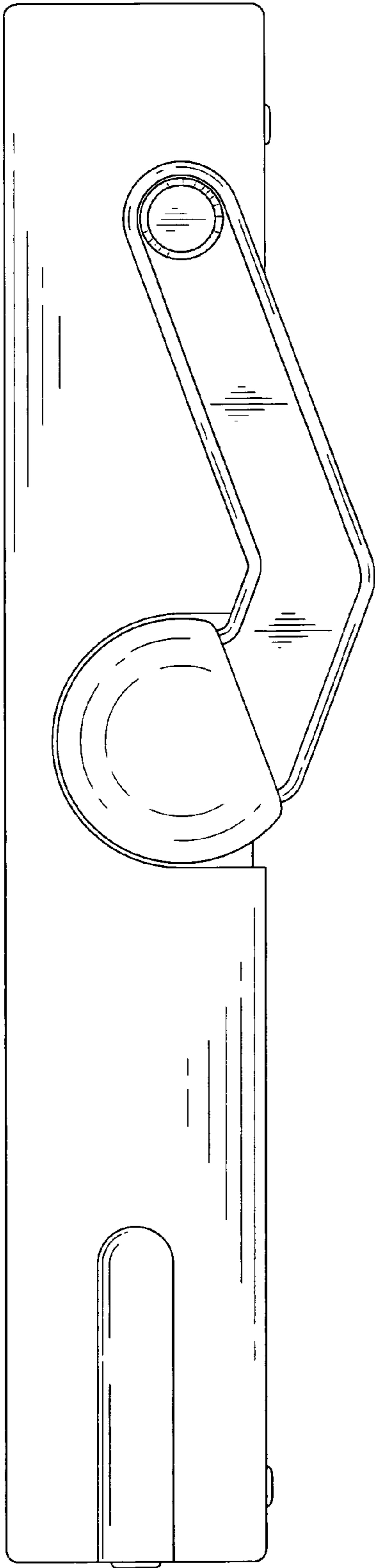


FIG. 2

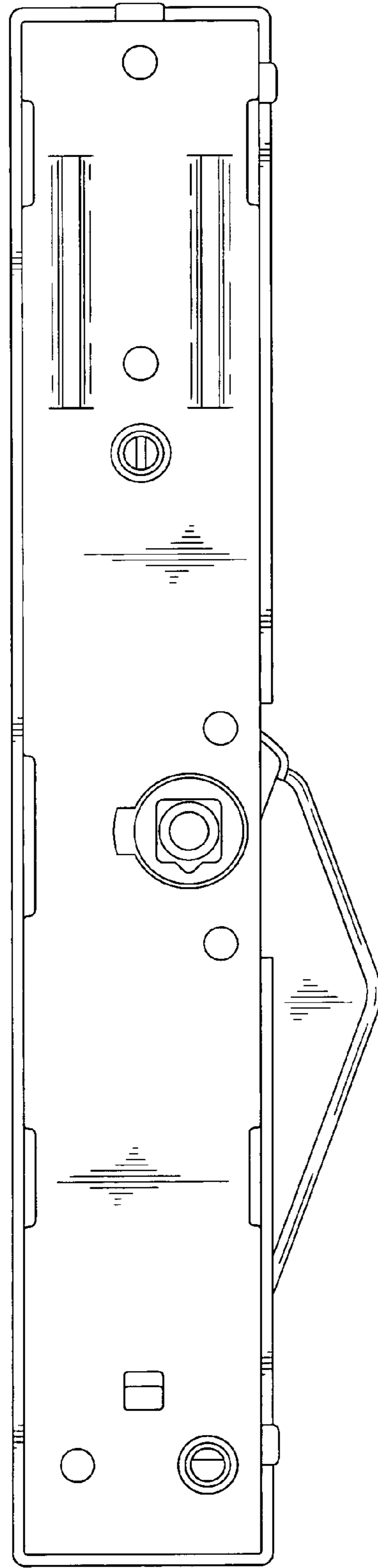


FIG. 3

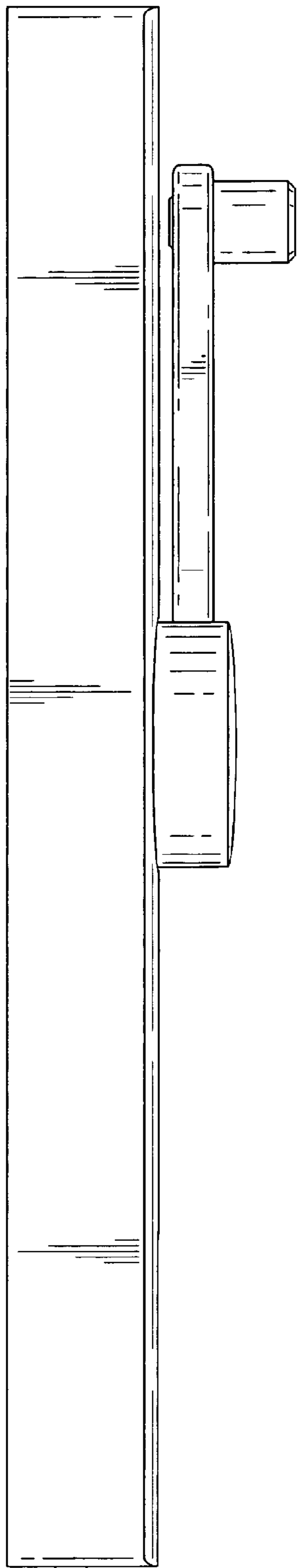


FIG. 4

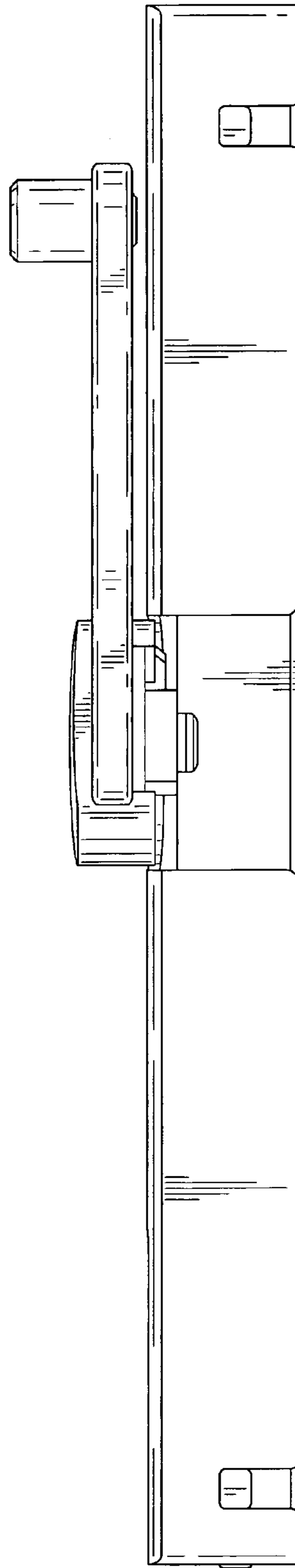


FIG. 5

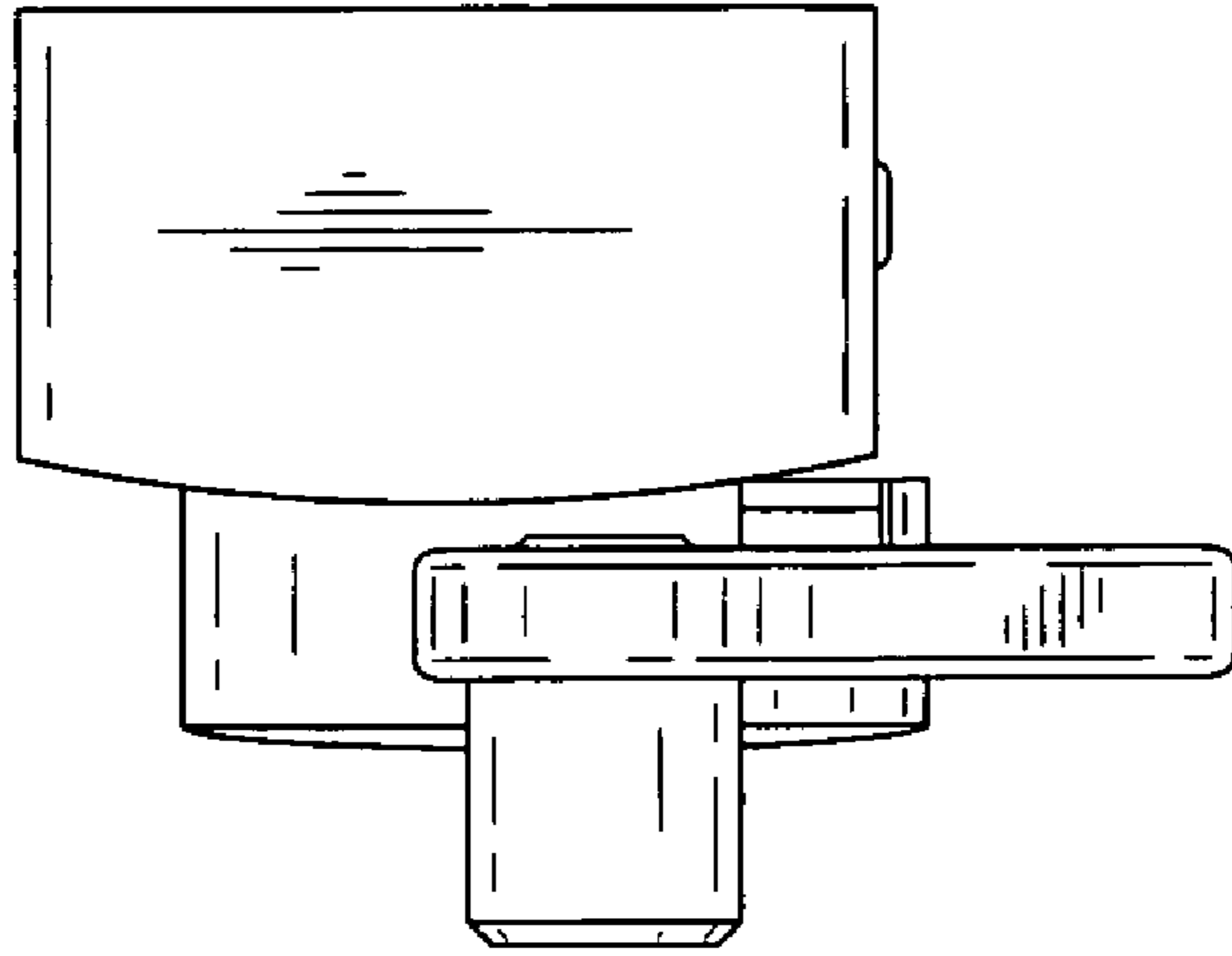


FIG. 7

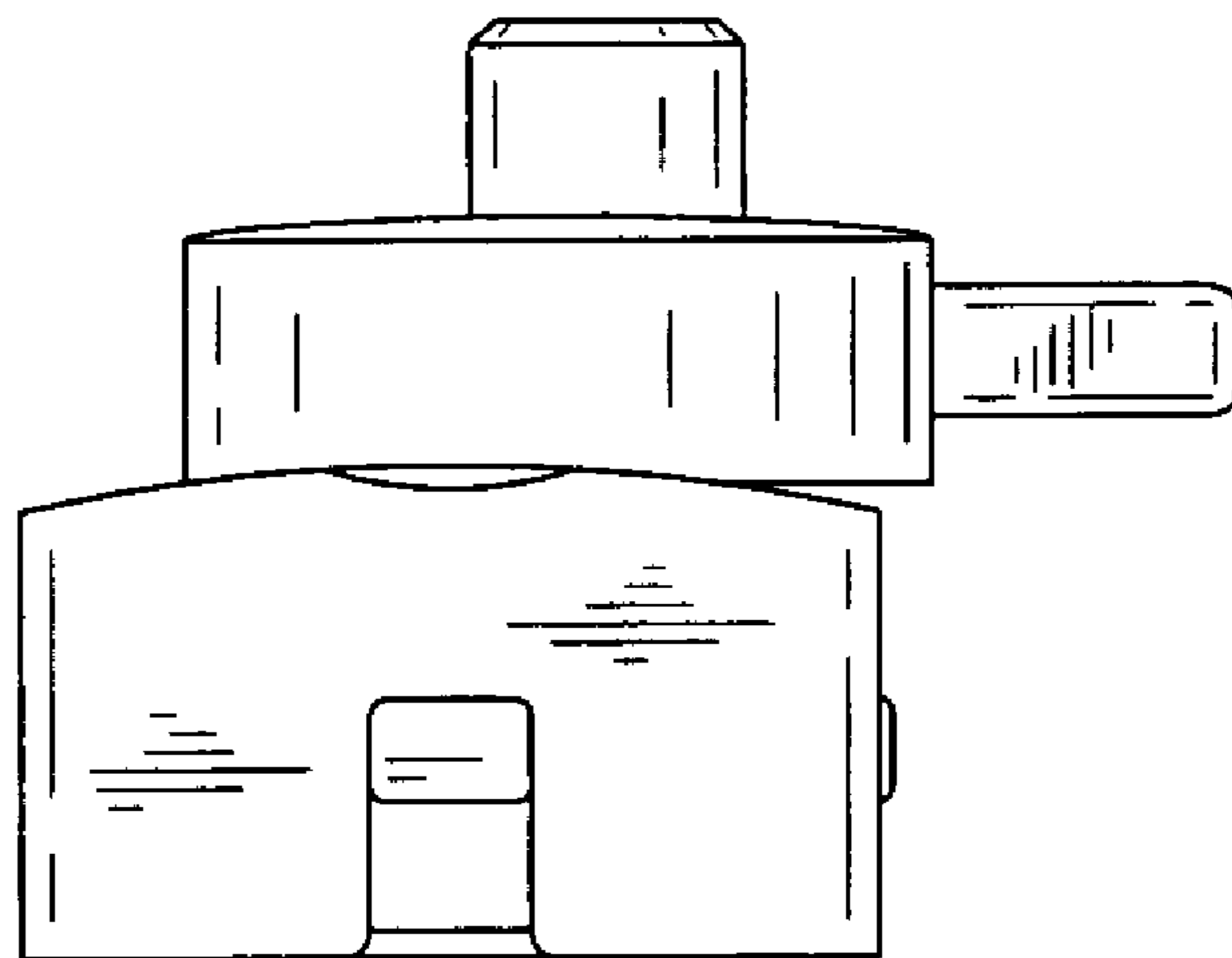


FIG. 6

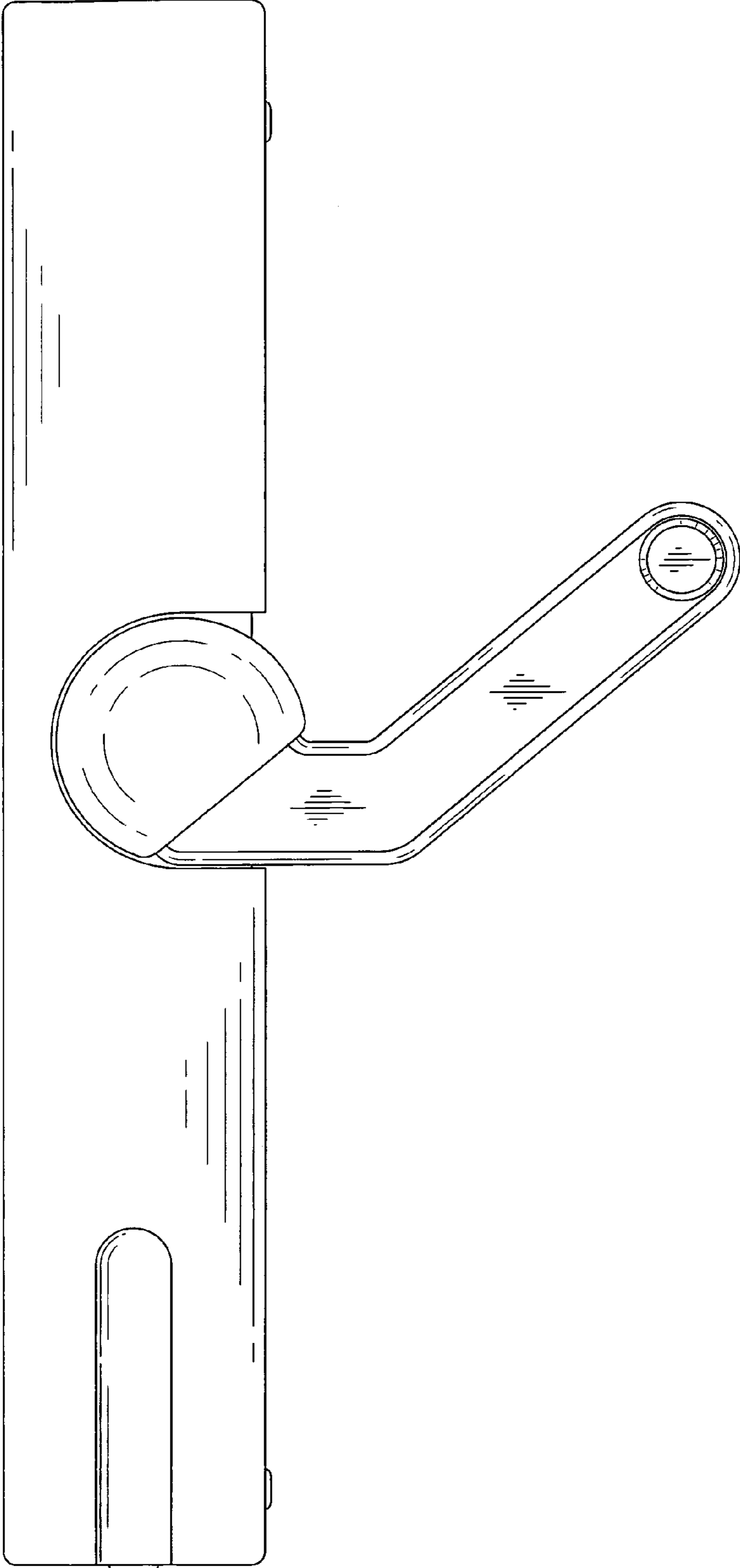


FIG. 8

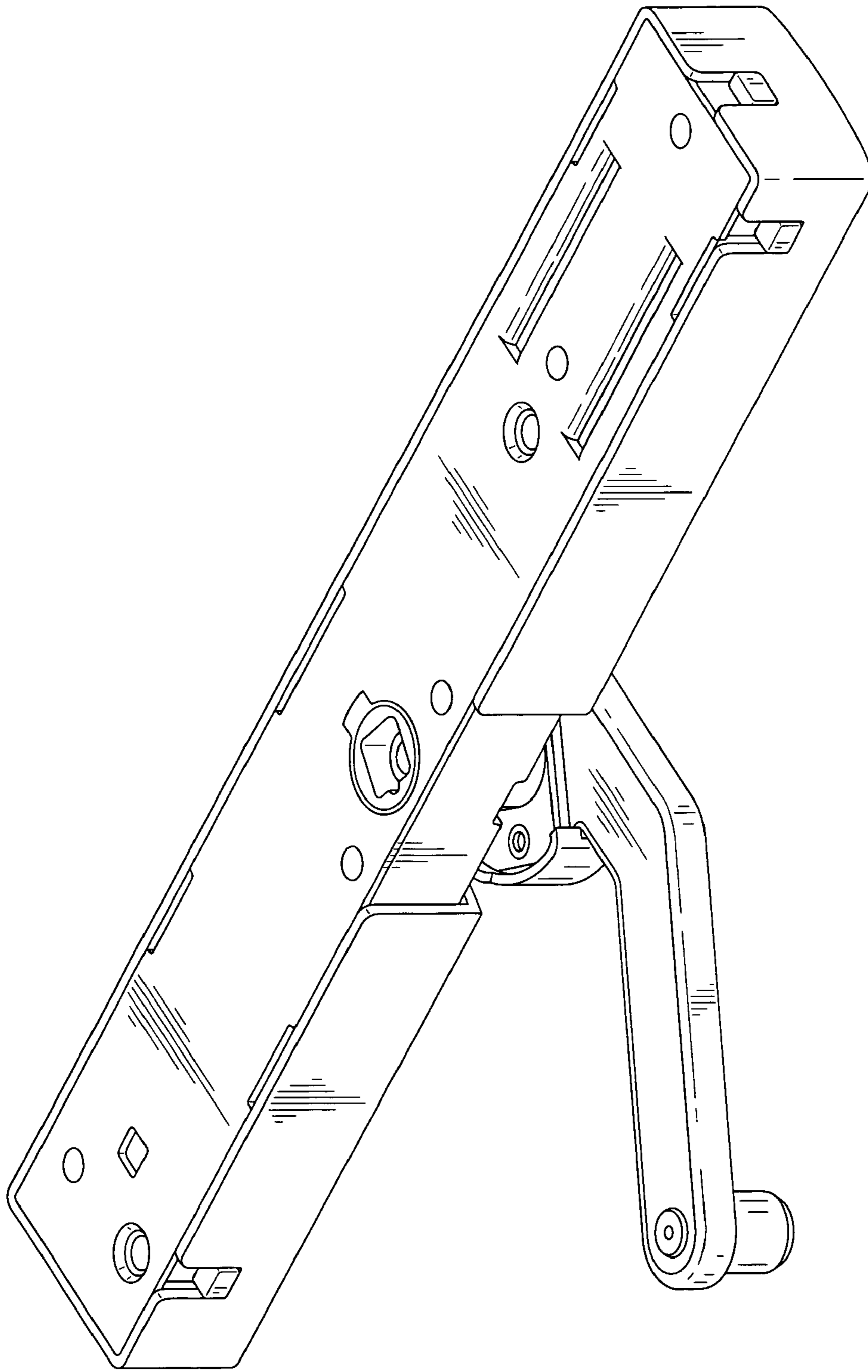


FIG. 9

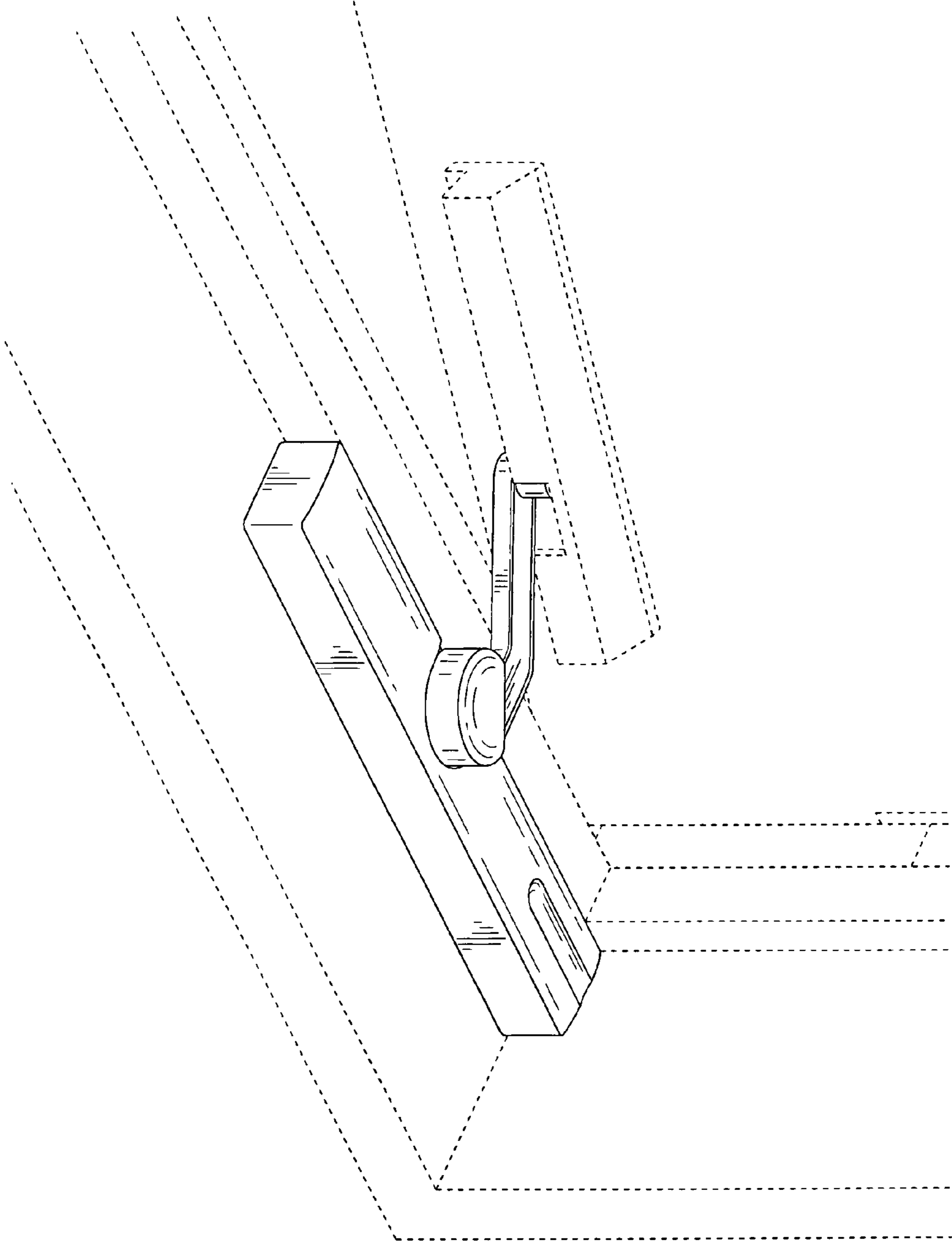


FIG. 10