

US00D639135S

(12) **United States Design Patent**
Doucet et al.

(10) **Patent No.:** **US D639,135 S**
(45) **Date of Patent:** **** Jun. 7, 2011**

(54) **DOOR LOCK HOUSING**

(75) Inventors: **Christian Doucet**, St-Bruno (CA);
Pierre Prieur, Montreal (CA)

(73) Assignee: **Kaba Ilco Inc.**, Montreal, CA (US)

(**) Term: **14 Years**

(21) Appl. No.: **29/304,470**

(22) Filed: **Mar. 3, 2008**

Related U.S. Application Data

(63) Continuation-in-part of application No. 29/277,920,
filed on Mar. 14, 2007, now Pat. No. Des. 591,138.

(30) **Foreign Application Priority Data**

Feb. 8, 2007 (CA) 119428

(51) **LOC (9) Cl.** **08-01**

(52) **U.S. Cl.** **D8/330**

(58) **Field of Classification Search** D8/301,
D8/302, 330, 331, 332, 341, 342, 343, 349,
D8/350; D21/338; 70/107, 129, 149, 189,
70/208, 211, 218, 224, 277, 278.1, 282, 285,
70/472; 200/5 A; 292/32, 137, 169, 333

See application file for complete search history.

(56) **References Cited**

U.S. PATENT DOCUMENTS

4,637,237	A *	1/1987	Witkoski et al.	70/285
D305,861	S *	2/1990	Kautt	D8/330
D344,009	S *	2/1994	Fontenot	D8/331
D452,807	S *	1/2002	Gartner	D8/330
D470,033	S *	2/2003	Fleury et al.	D8/302
D474,103	S *	5/2003	Kaiser et al.	D8/350
D479,682	S *	9/2003	Frolov et al.	D8/331
D495,943	S *	9/2004	Hentschel et al.	D8/330
7,091,429	B2	8/2006	Case et al.	

D545,172	S *	6/2007	Kaiser et al.	D8/331
D552,966	S *	10/2007	Roberts et al.	D8/350
D552,967	S *	10/2007	Roberts et al.	D8/350
D552,968	S *	10/2007	Roberts et al.	D8/350
2004/0089035	A1 *	5/2004	Ciezki et al.	70/208

OTHER PUBLICATIONS

Kaba Ilco Brochure 2004; Access System; Electronic Card Lock; Canada.

Kaba Ilco Brochure 2004; Solitaire Series: The Perfect Blend of Security and Style; Canada.

Kaba Ilco Brochure 2004; Onity Electronic Locking Solutions; Canada.

Kaba Ilco Brochure 2004; H-602 A Revolution of Hotel Management; Hotel Key Card System; Canada.

* cited by examiner

Primary Examiner — Shanda C Hill

(74) *Attorney, Agent, or Firm* — Summa, Additon & Ashe, P.A.

(57) **CLAIM**

The ornamental design for a door lock housing, as shown and described.

DESCRIPTION

FIG. 1 is a perspective view of a door lock housing depicting the front, top, and side of the new design;

FIG. 2 is another perspective view of the door lock housing depicting the rear, top, and side of the design;

FIG. 3 is a front elevation view of the door lock housing;

FIG. 4 is a side elevation view of the door lock housing, the other side being a mirror image thereof;

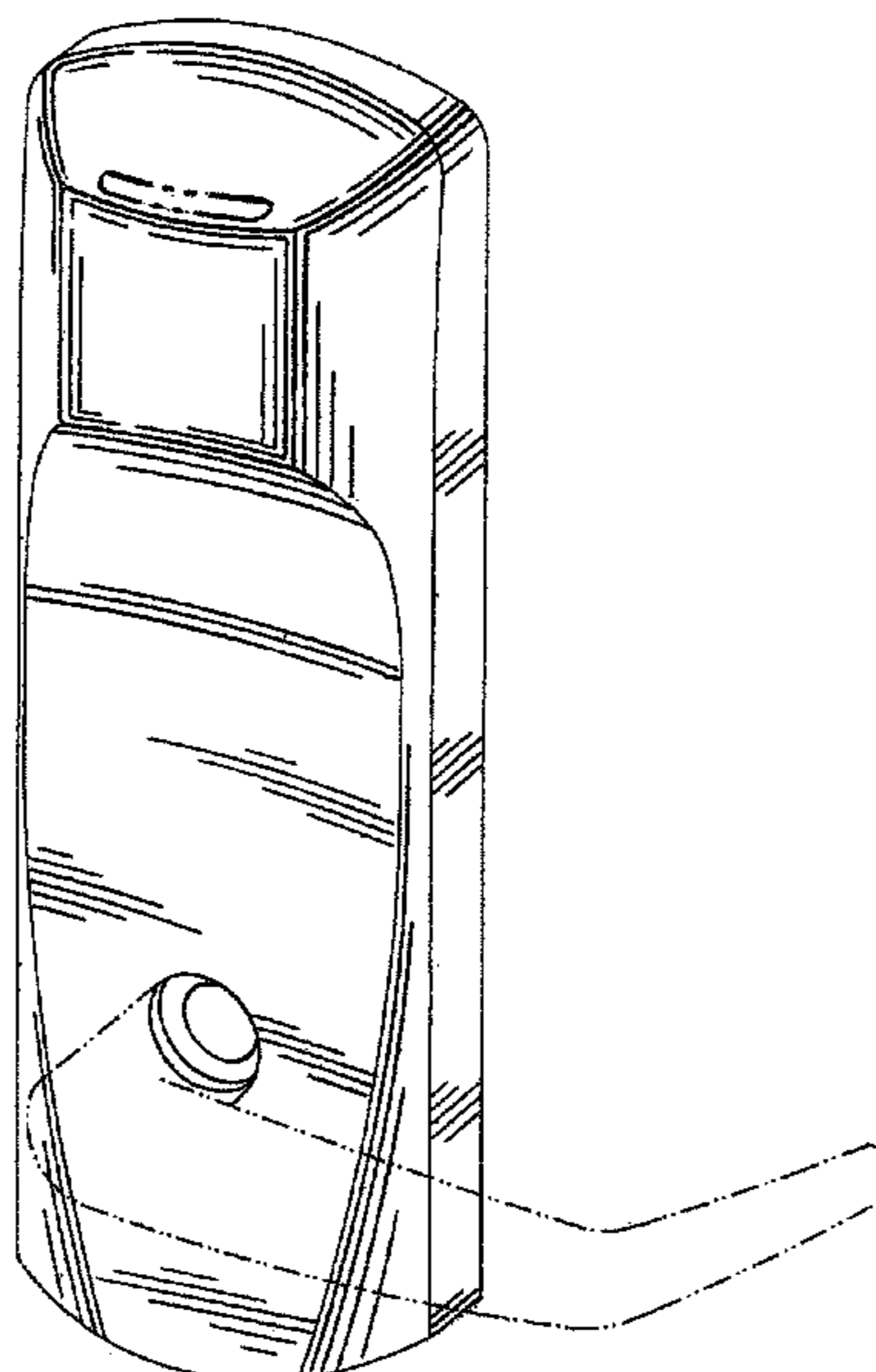
FIG. 5 is a rear elevation view of the door lock housing;

FIG. 6 is a top plan view of the door lock housing; and,

FIG. 7 is a bottom plan view of the door lock housing.

The broken lines shown in the drawing disclosure are for illustrative purposes only and form no part of the claimed design.

1 Claim, 3 Drawing Sheets



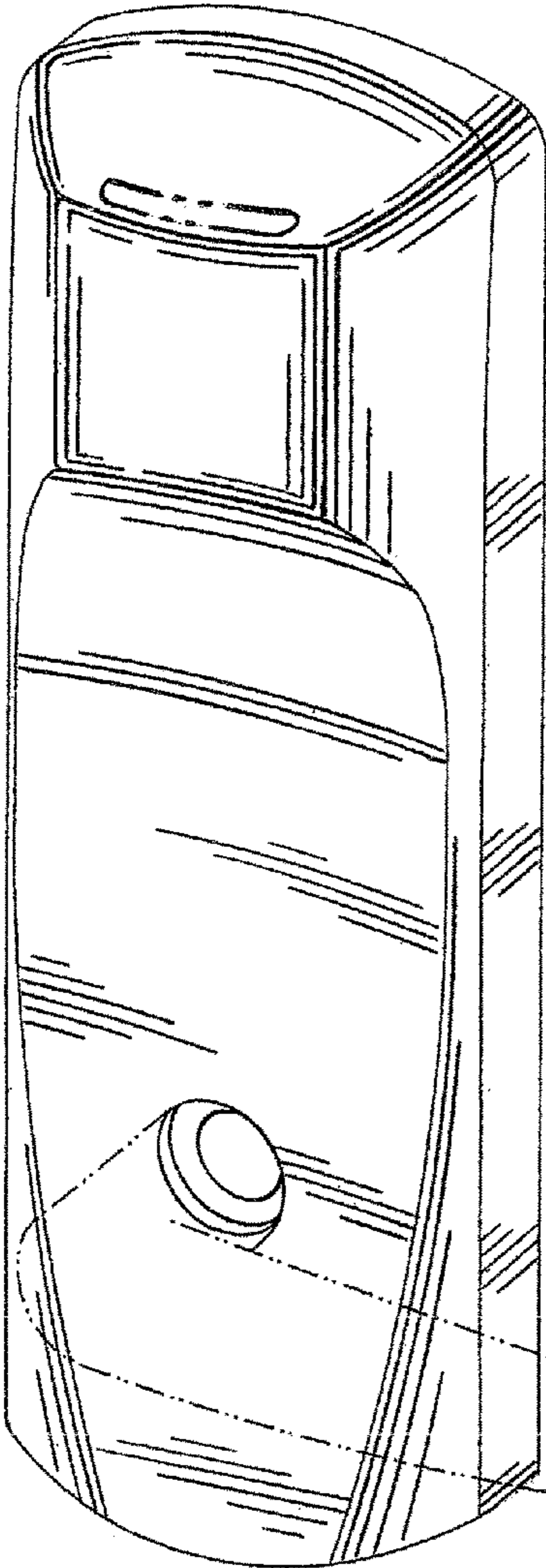


FIG. 1.

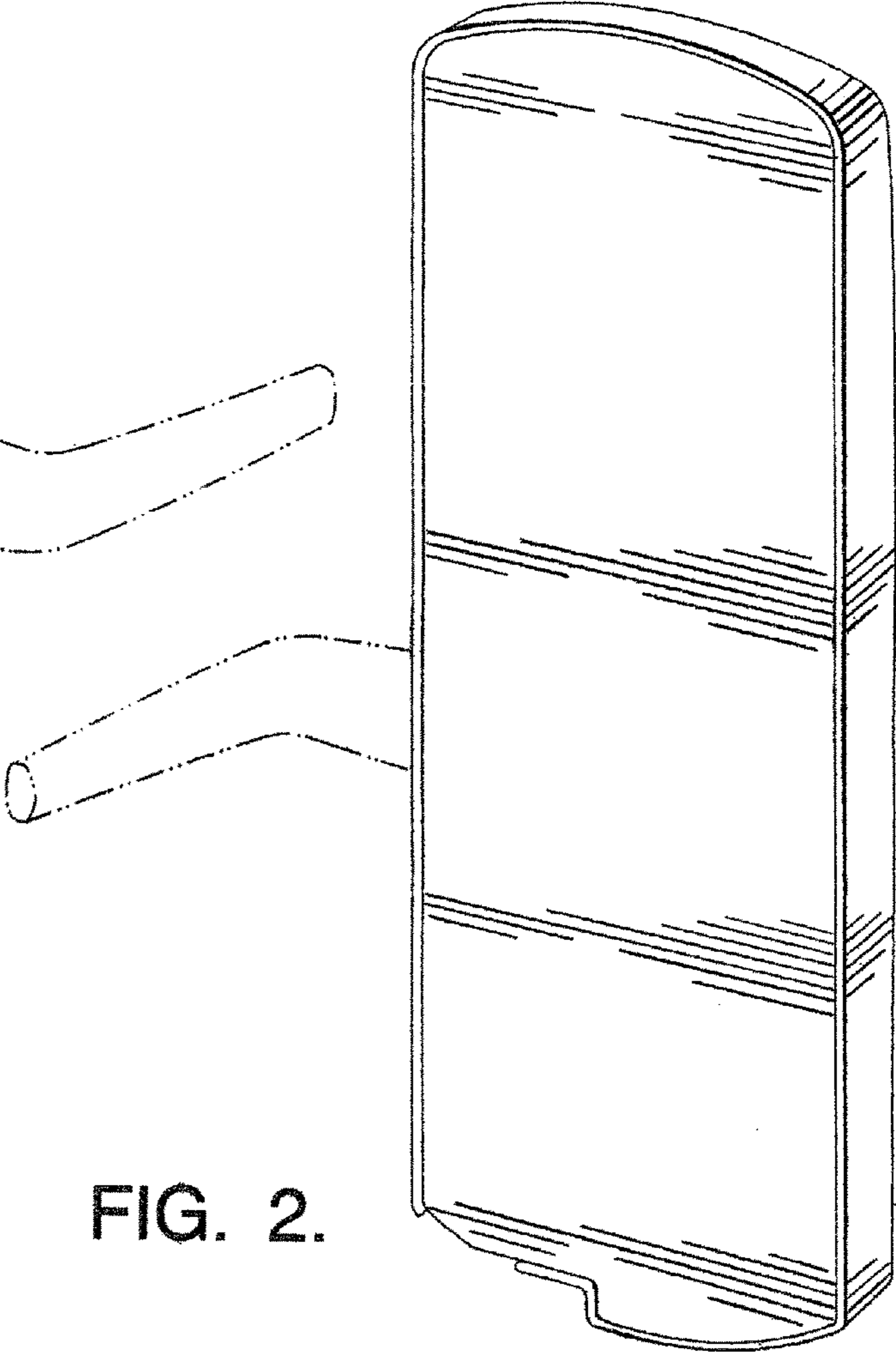


FIG. 2.

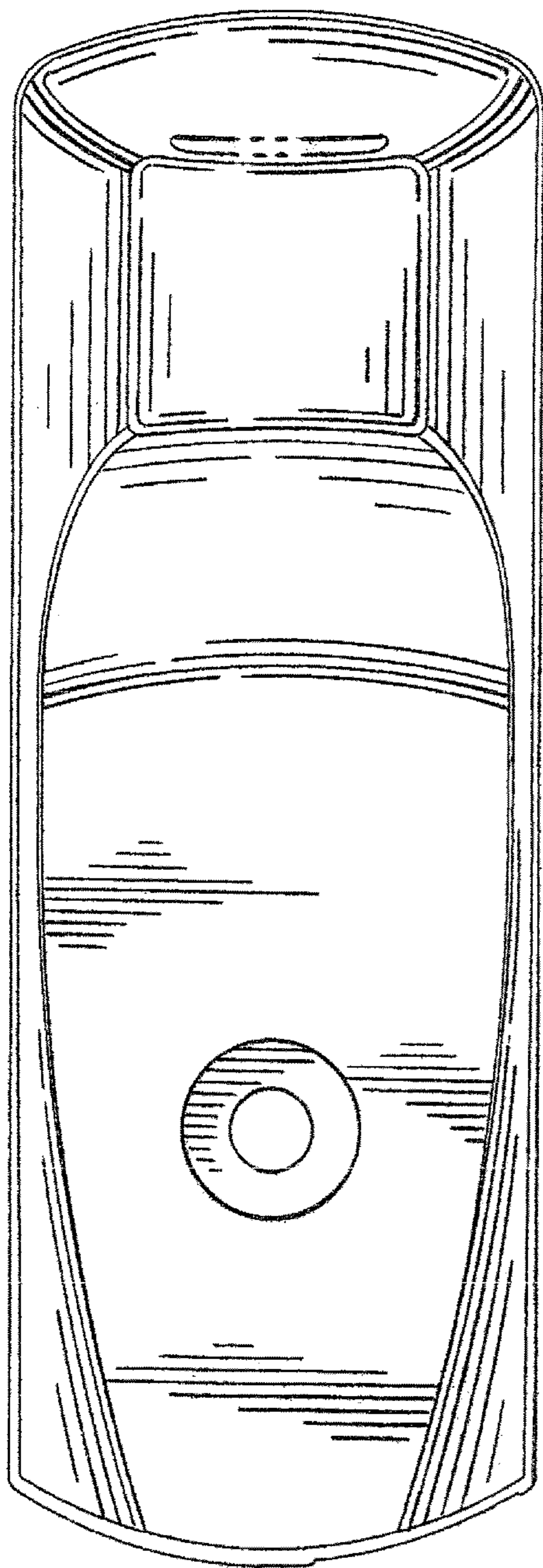


FIG. 3.

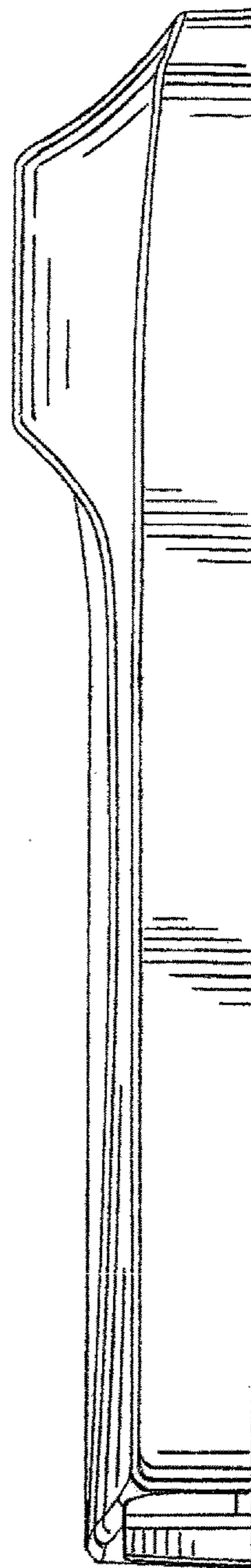


FIG. 4.

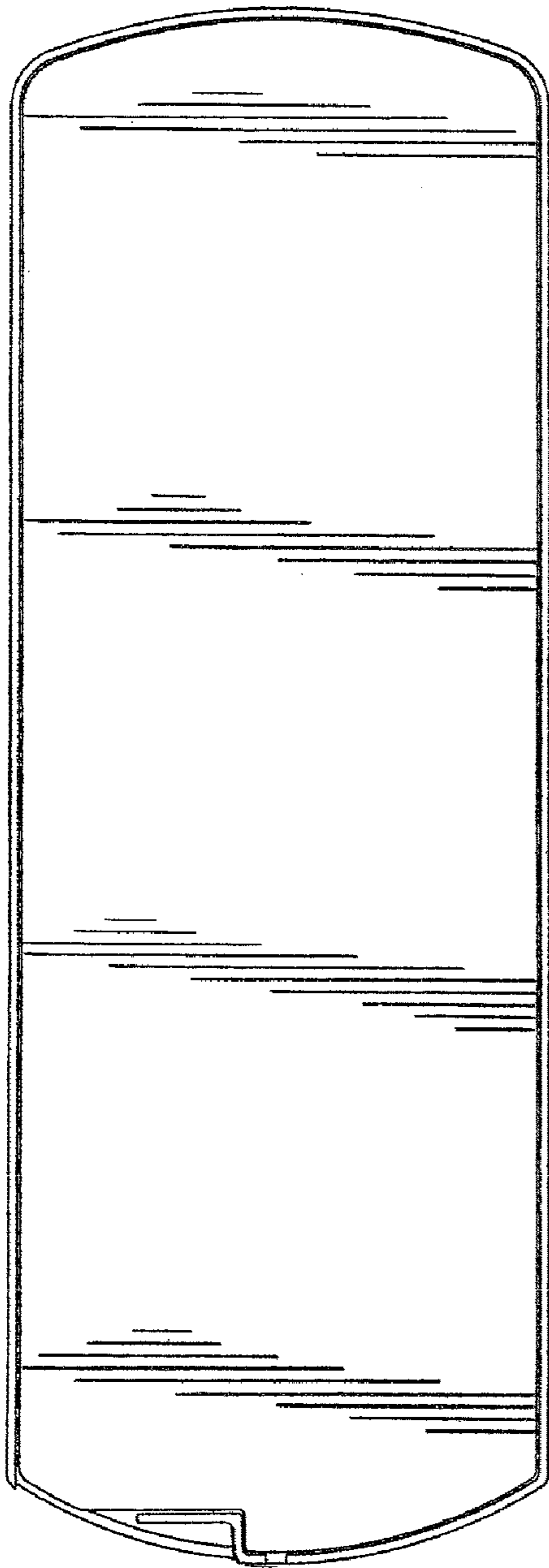


FIG. 5.

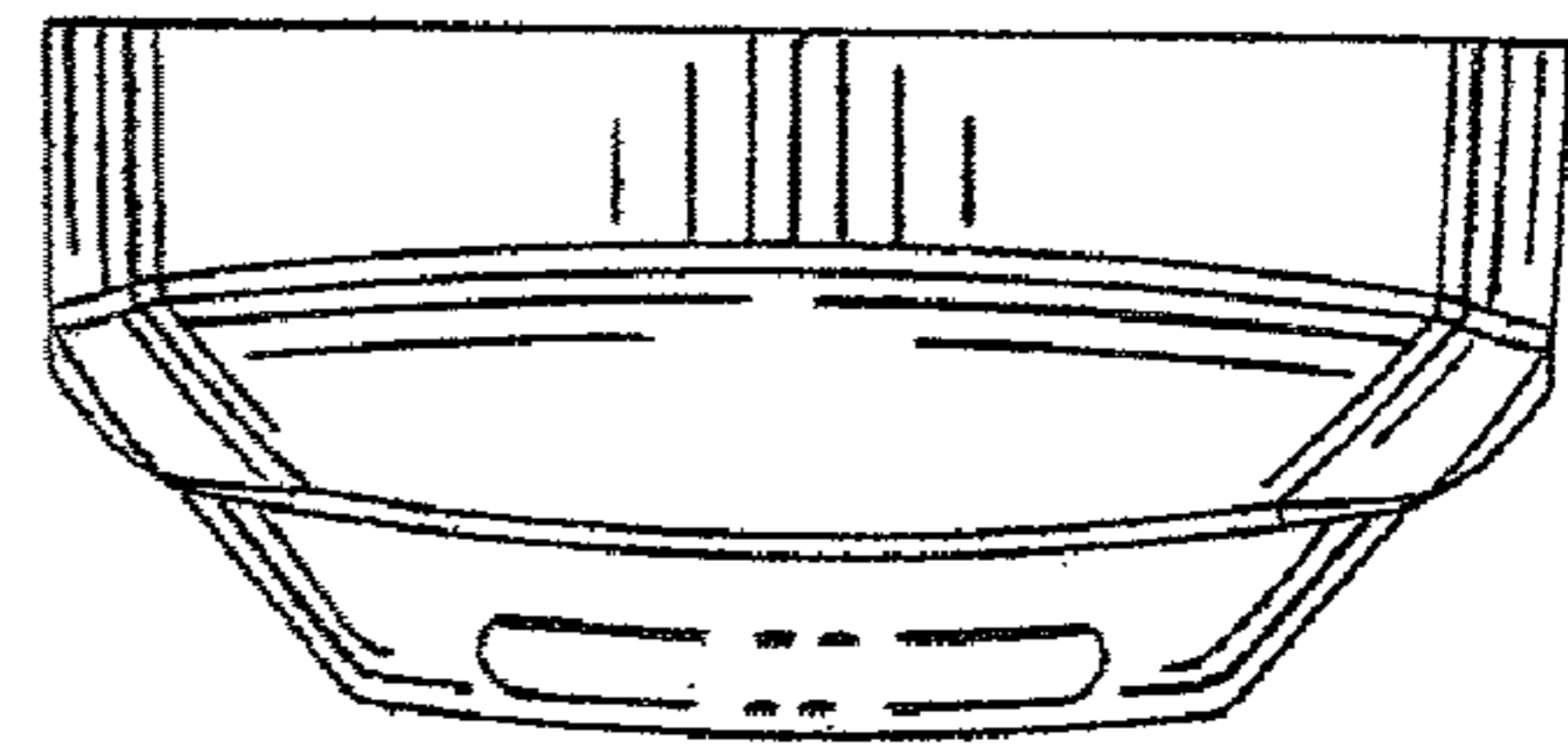


FIG. 6.

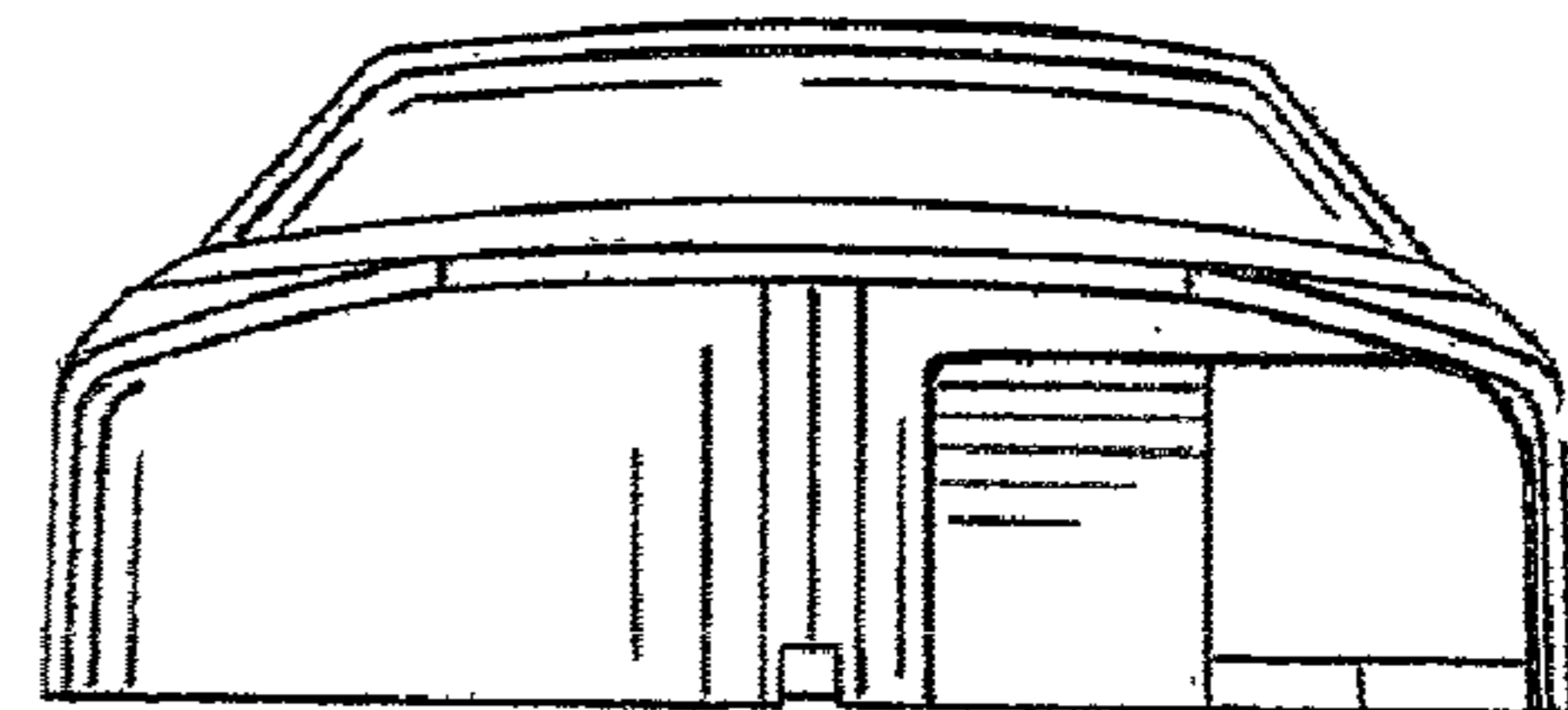


FIG. 7.