



US00D639132S

(12) **United States Design Patent**
Demers et al.

(10) **Patent No.:** **US D639,132 S**
(45) **Date of Patent:** **** Jun. 7, 2011**

(54) **TOOL HANDLE**

(75) Inventors: **Brian Joseph Demers**, Huntersville, NC (US); **Joseph Allen Berlepsch**, Mooresville, NC (US)

(73) Assignee: **Lowe's Companies, Inc.**, Mooresville, NC (US)

(**) Term: **14 Years**

(21) Appl. No.: **29/361,192**

(22) Filed: **May 6, 2010**

Related U.S. Application Data

(62) Division of application No. 29/318,754, filed on May 27, 2008, now Pat. No. Des. 617,623, and a division of application No. 29/249,420, filed on Oct. 5, 2006, now Pat. No. Des. 589,322.

(51) **LOC (9) Cl.** **08-05**

(52) **U.S. Cl.** **D8/107**

(58) **Field of Classification Search** D8/20-29, D8/61, 93, 102-107, 300, 301, 303, 307, D8/310, 312, 319-320, 376-378, 400-499, D8/52, 54-56, 58, 75-80, 95-100; D4/132-138; D7/393, 395, 401.1, 401.2, 649, 695; D22/104, D22/118, 207; D24/207; D6/524; D26/154; D9/443; 15/143.1, 159.1, 160, 168, 175, 15/194.1, 192; 81/177.1-177.9, 489, 3.2, 81/436, 439-440, 60-63.2, 477, 479, 52, 81/342, 367, 370, 420, 424.5, 427.5, 380, 81/390, 324, 486, 415-419, DIG. 9, 300, 81/302; 16/427, 436, 110.1, 430-431, 429, 16/441, 124.6, 414, 417, DIG. 12, DIG. 18, 16/DIG. 19, 11 R, 111 R, 421-422, 426; 73/862.23; 30/164.5, 151-162, 329, 330, 30/511-517, 519; 211/87.01; 428/28; D32/40, D32/46, 49, 51; D15/18, 70, 142; D28/48; 294/54.5, 49, 51, 53.5, 55

See application file for complete search history.

(56) **References Cited**

U.S. PATENT DOCUMENTS

D41,494 S 6/1911 Seeley
D151,860 S * 11/1948 Stoyer D8/68
D152,155 S * 12/1948 Jacoff D8/82
D218,009 S 7/1970 Bosack

(Continued)

FOREIGN PATENT DOCUMENTS

EM 000702089-000002 6/2007

(Continued)

Primary Examiner — Cathron C Brooks

Assistant Examiner — Barbara Fox

(74) *Attorney, Agent, or Firm* — Moore & Van Allen PLLC; W. Kevin Ransom

(57) **CLAIM**

The ornamental design for a tool handle, as shown and described.

DESCRIPTION

FIG. 1 is a perspective view of a tool handle, according to the present invention;

FIG. 2 is an elevational view of the front side of the tool handle of FIG. 1;

FIG. 3 is an elevational view of the right side of the tool handle of FIG. 1;

FIG. 4 is an elevational view of the rear side of the tool handle of FIG. 1;

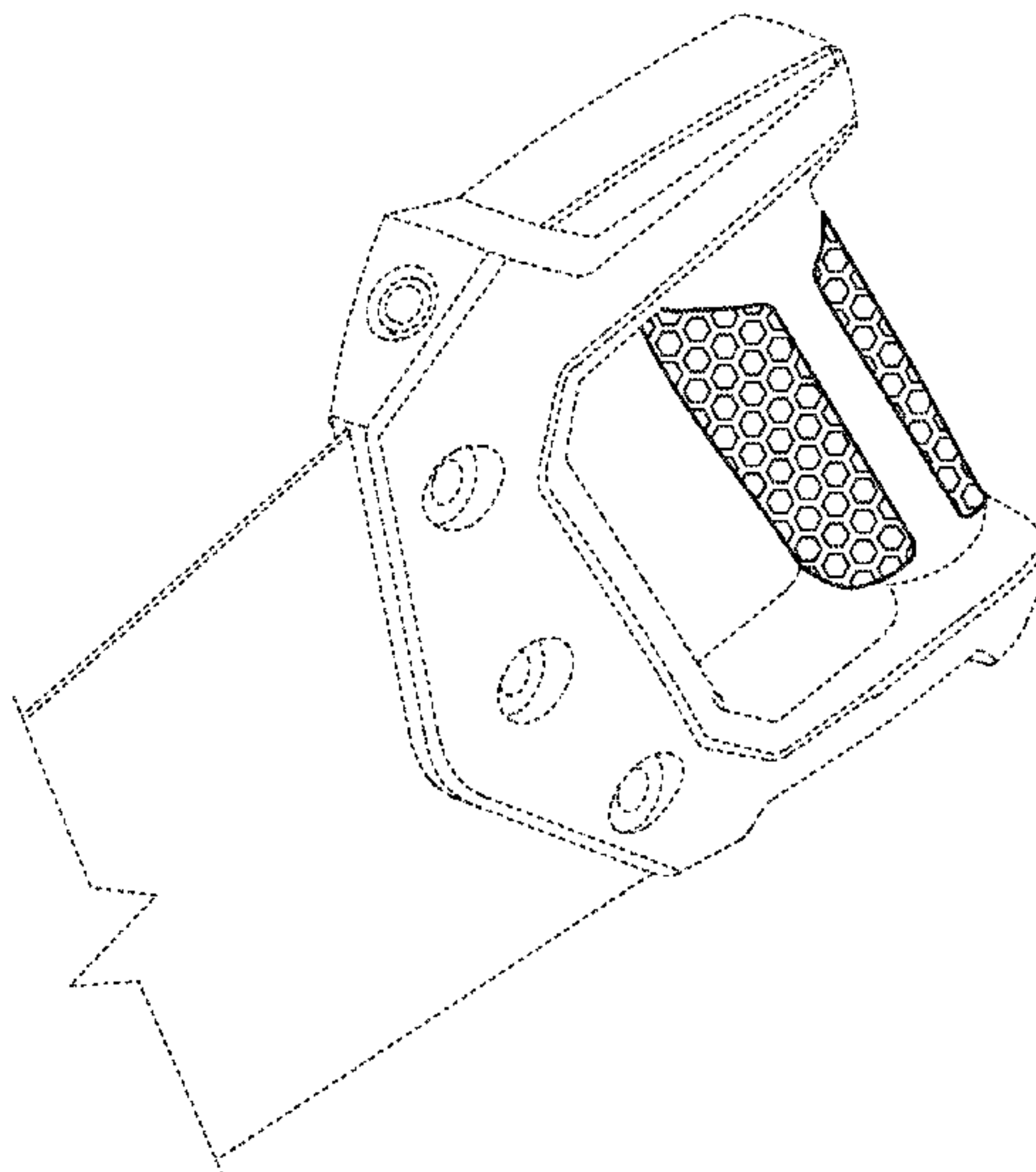
FIG. 5 is a plan view of the bottom side of the tool handle of FIG. 1;

FIG. 6 is a plan view of the top side of the tool handle of FIGS. 1; and,

FIG. 7 is an elevational view of the left side of the tool handle of FIG. 1.

The broken lines shown in the drawings illustrate unclaimed portions of the tool handle and environmental structure, and form no part of the claimed design.

1 Claim, 7 Drawing Sheets



US D639,132 S

U.S. PATENT DOCUMENTS

D233,507 S	11/1974	Stevens	
D246,691 S	12/1977	Takahashi	
D271,843 S	12/1983	Ferdinand et al.	
D282,236 S	1/1986	Shohoji et al.	
D288,769 S	3/1987	Doman	
D288,770 S	3/1987	Doman	
D289,136 S *	4/1987	Doman	D8/62
D301,967 S	7/1989	Sakamoto et al.	
D316,020 S	4/1991	Fushiya et al.	
D324,411 S	3/1992	Jolibois	
D325,506 S	4/1992	Michas et al.	
D328,559 S	8/1992	Wilson	
D329,590 S	9/1992	Chapman	
D365,742 S	1/1996	Decursu et al.	
5,528,834 A *	6/1996	Seber et al.	30/340
D387,734 S	12/1997	Hawkins et al.	
D389,394 S	1/1998	Taylor	
D394,995 S *	6/1998	Cooper	D8/68
D398,507 S	9/1998	Thompson et al.	
D399,113 S	10/1998	Balolia	
D410,859 S	6/1999	Hioki	
D412,273 S	7/1999	Chung	
D416,179 S	11/1999	Staton et al.	
D416,776 S *	11/1999	Liu	D8/83
D418,731 S *	1/2000	Rowlay et al.	D8/85
D422,481 S	4/2000	Bertani	
D424,401 S	5/2000	Ziemer	
D432,381 S	10/2000	Khachatoorian	
6,128,808 A *	10/2000	Jansson et al.	16/431
D433,344 S	11/2000	Hsu	
D434,298 S *	11/2000	Izumisawa	D8/68
D440,848 S	4/2001	Izumisawa	
D440,856 S *	4/2001	Jimenez	D8/97
D441,269 S	5/2001	Tsai	
D441,671 S	5/2001	Hsu	
D442,053 S	5/2001	Jimenez	
D442,458 S *	5/2001	Jimenez	D8/97
D446,942 S	8/2001	Kim	
D449,546 S	10/2001	Lee	
D454,477 S *	3/2002	Lin	D8/83
6,363,579 B1	4/2002	King, Jr.	
D457,003 S	5/2002	Newman et al.	
D468,607 S	1/2003	Price et al.	
D471,784 S	3/2003	Garvis et al.	
D471,976 S	3/2003	Pavlu et al.	
D474,528 S	5/2003	Huang	
D475,269 S	6/2003	Matern	
D475,598 S *	6/2003	Hung	D8/80
D477,980 S *	8/2003	Chang	D8/83
D478,292 S	8/2003	Hsu	
D482,203 S	11/2003	Goulet	
D482,259 S	11/2003	Chen	
D483,634 S	12/2003	Jansson et al.	
D484,767 S *	1/2004	Hsu	D8/82
D486,050 S	2/2004	Rampen	
D486,716 S	2/2004	Levine et al.	
D487,875 S	3/2004	Wang	
D490,680 S	6/2004	Levine et al.	
D491,083 S	6/2004	Lin	
6,745,883 B2	6/2004	Eto et al.	
D492,559 S	7/2004	Itano	
D495,226 S	8/2004	Grant et al.	
D502,377 S *	3/2005	Aglassinger	D8/69
D503,351 S	3/2005	Chen	
D507,195 S	7/2005	Kondo et al.	
D510,247 S	10/2005	White	
D515,383 S *	2/2006	Aglassinger	D8/69
D515,389 S	2/2006	Hsu	
D516,893 S *	3/2006	Kuo	D8/83
D517,888 S	3/2006	DeBoer et al.	

D517,889 S	3/2006	Hsieh	
D519,017 S	4/2006	Hsieh	
D519,816 S *	5/2006	Budrow et al.	D8/95
D520,856 S	5/2006	Osiecki et al.	
D520,859 S	5/2006	Osiecki et al.	
D521,346 S *	5/2006	Budrow et al.	D8/95
D521,347 S *	5/2006	Budrow et al.	D8/95
7,051,626 B1	5/2006	Chen et al.	
D523,234 S	6/2006	DeBoer et al.	
D527,236 S	8/2006	Wu	
D528,910 S	9/2006	Kingsley	
D529,357 S	10/2006	Qiu	
D530,200 S	10/2006	Kingsley	
D533,455 S	12/2006	Leck et al.	
D536,908 S	2/2007	Eros	
D536,944 S	2/2007	Tsai et al.	
D537,308 S	2/2007	Wang	
D537,676 S	3/2007	Kingsley	
D537,697 S	3/2007	Jimenez	
D538,129 S *	3/2007	Jansson et al.	D8/82
D543,085 S	5/2007	Aglassinger	
D543,812 S	6/2007	Burry et al.	
D543,828 S	6/2007	Strutin-Belinoff et al.	
D544,770 S	6/2007	Yang	
D547,624 S	7/2007	Strahorn	
D550,058 S	9/2007	Aglassinger	
D556,536 S *	12/2007	Aglassinger	D8/107
D560,127 S	1/2008	Elam	
D562,398 S	2/2008	Qiu et al.	
D568,715 S	5/2008	Gustafson et al.	
D570,664 S *	6/2008	Tang	D8/83
D571,679 S	6/2008	McEwan et al.	
D572,559 S	7/2008	Demers et al.	
D572,561 S	7/2008	Demers et al.	
D572,614 S	7/2008	McEwan et al.	
D576,853 S	9/2008	Aglassinger	
D578,852 S	10/2008	Enriquez	
D584,116 S *	1/2009	Jackson	D7/696
D585,261 S *	1/2009	Shih	D8/83
D590,225 S *	4/2009	Sell	D8/68
D591,570 S	5/2009	Lee et al.	
D594,304 S *	6/2009	Aglassinger	D8/67
D597,811 S	8/2009	Yu	
2003/0094294 A1 *	5/2003	Fritz	173/171
2003/0172498 A1 *	9/2003	Polzin et al.	16/430
2004/0246735 A1 *	12/2004	Huang	362/487
2006/0090265 A1	5/2006	Fisher et al.	

FOREIGN PATENT DOCUMENTS

JP	D1253453	10/2005
TW	144783	10/1990
TW	232614	10/1994
TW	251211	7/1995
TW	309829	7/1997
TW	443904	6/1999
TW	390769	5/2000
TW	391820	5/2000
TW	403527	8/2000
TW	405983	9/2000
TW	433951	5/2001
TW	440312	6/2001
TW	440384	6/2001
TW	453826	9/2001
TW	478775	3/2002
TW	539445	6/2003
TW	542548	7/2003
TW	D106079	8/2005
TW	D106099	8/2005
TW	D110289	4/2006
TW	D114283	12/2006

* cited by examiner

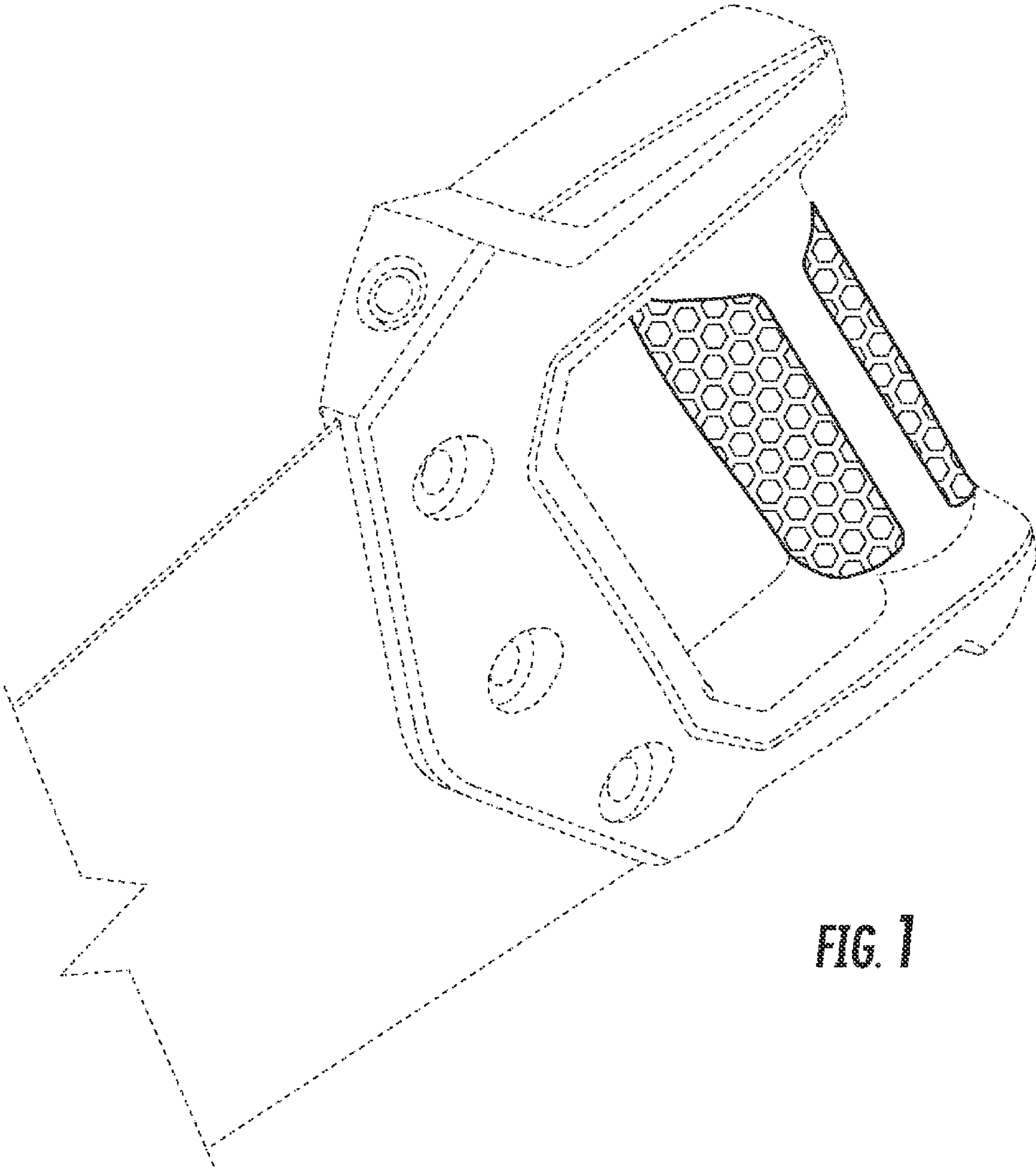


FIG. 1

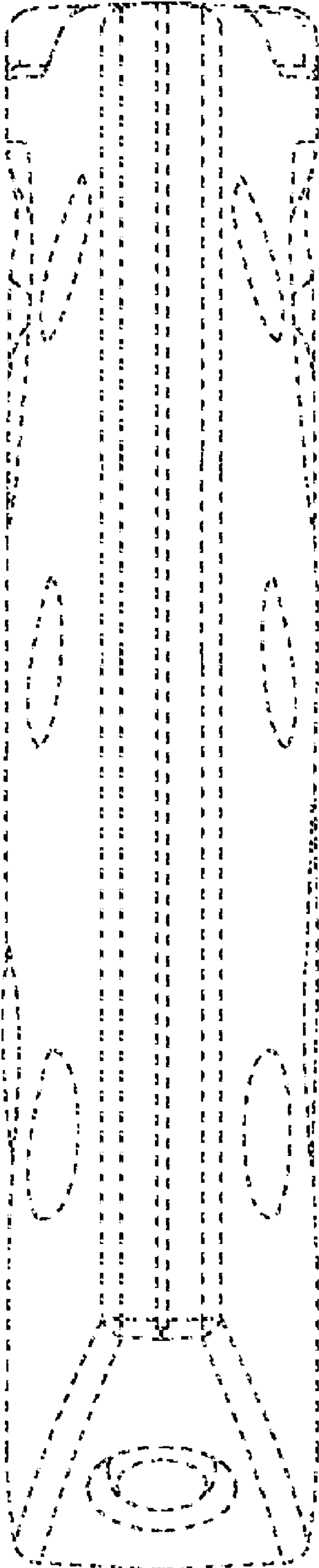


FIG. 2

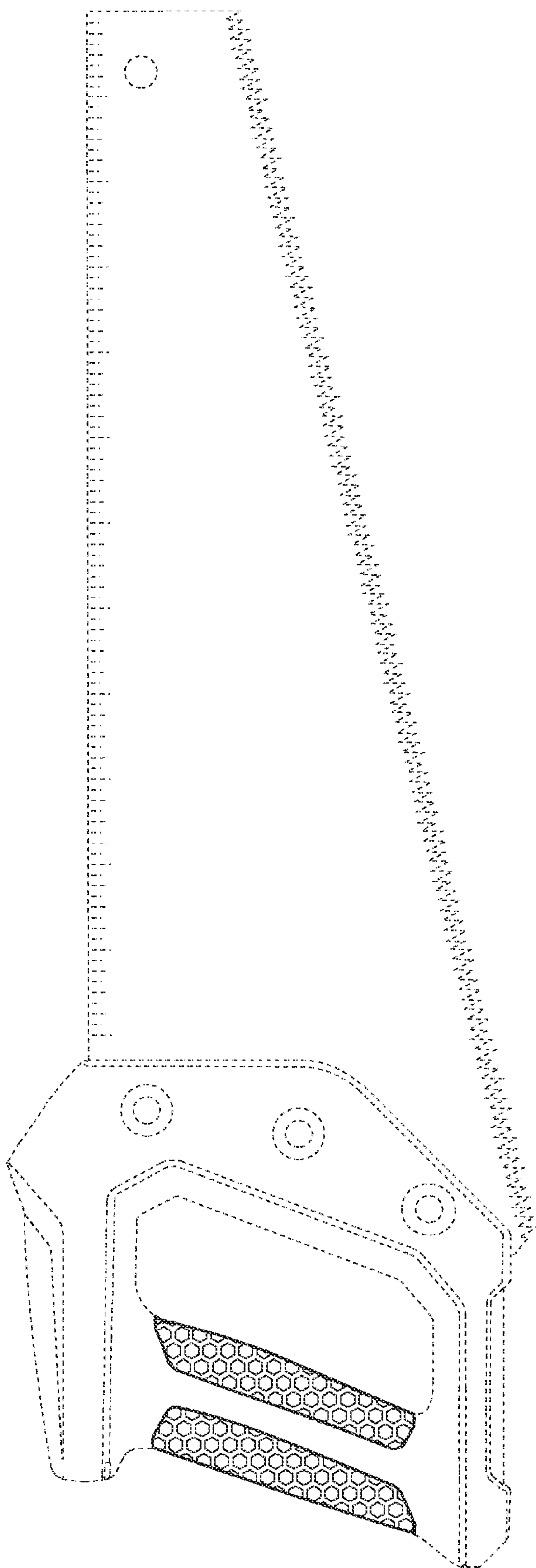


FIG. 3

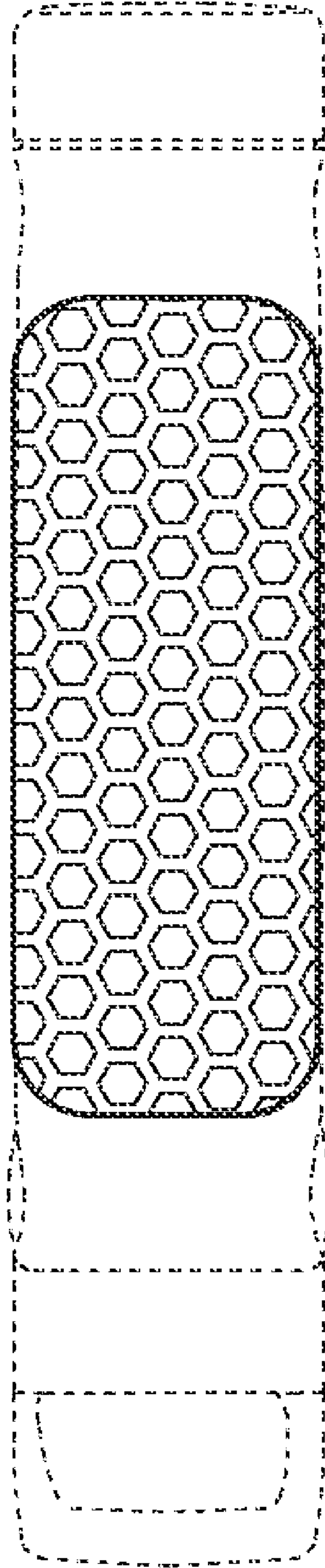


FIG. 4



FIG. 5

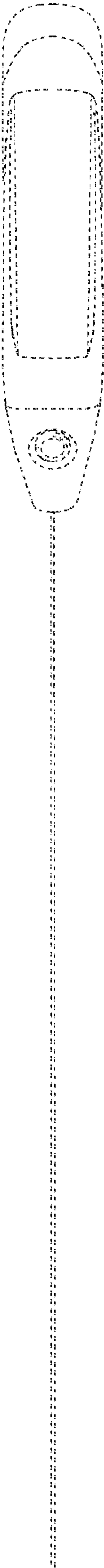


FIG. 6

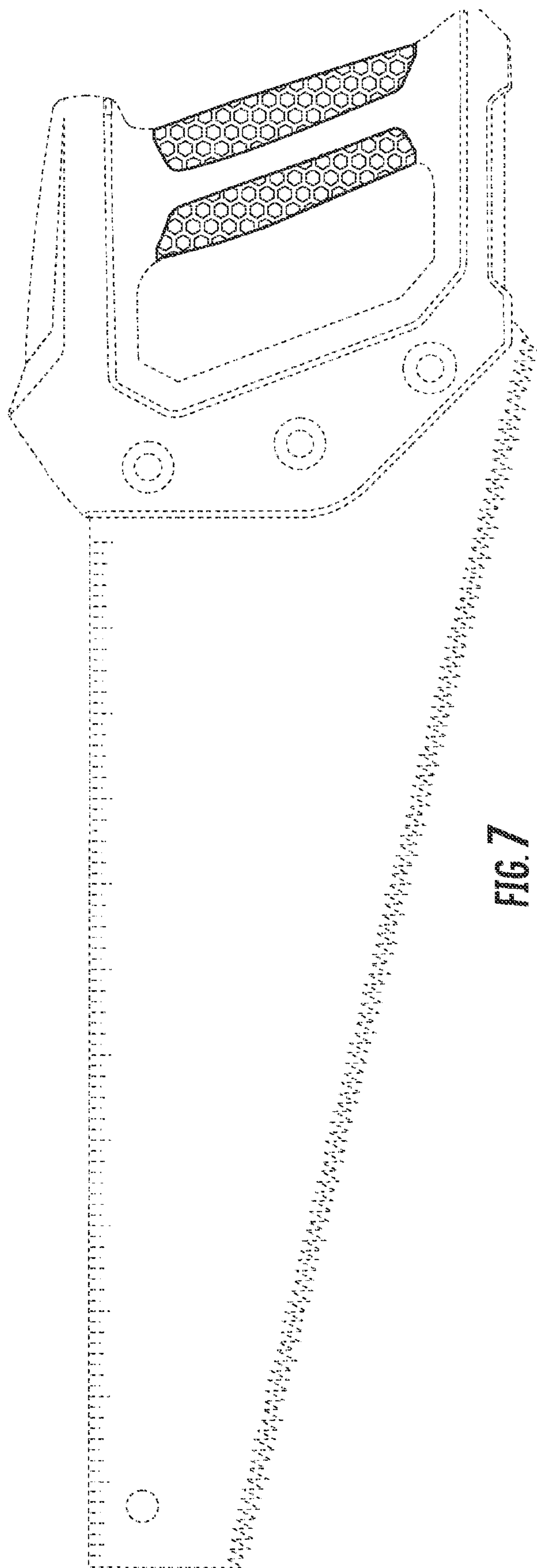


FIG. 7