



US00D639129S

(12) **United States Design Patent**
Van Wambeke

(10) **Patent No.:** **US D639,129 S**
(45) **Date of Patent:** **** Jun. 7, 2011**

(54) **HEAT GUN**

(75) **Inventor:** **Weston J. Van Wambeke**, Towson, MD (US)

(73) **Assignee:** **Black & Decker Inc.**, Newark, DE (US)

(**) **Term:** **14 Years**

(21) **Appl. No.:** **29/366,458**

(22) **Filed:** **Jul. 26, 2010**

(51) **LOC (9) Cl.** **08-05**

(52) **U.S. Cl.** **D8/29.1**

(58) **Field of Classification Search** D8/29.1–29.2,
D8/30; D28/13; 219/222, 225, 227; 392/379–385
See application file for complete search history.

(56) **References Cited**

U.S. PATENT DOCUMENTS

D280,338 S *	8/1985	Skarsten	D8/29.1
D293,020 S *	12/1987	Steinel et al.	D23/332
D297,398 S *	8/1988	Pagani	D8/29.1
D388,298 S *	12/1997	Jerdee et al.	D8/29.1
D456,679 S *	5/2002	Cheng	D8/29.1
D457,044 S *	5/2002	Cheng	D8/29.1
D457,407 S *	5/2002	Pretzell	D8/29.1
D481,277 S *	10/2003	Waldron	D8/29.1
D516,883 S *	3/2006	Popov et al.	D8/29.1
D535,167 S *	1/2007	Monfeli et al.	D8/30
D552,443 S *	10/2007	Aglassinger et al.	D8/29.1

OTHER PUBLICATIONS

Steinel Variable Temperature Heat Gun. Downloaded Mar. 14, 2011 at http://www.all-spec.com/products/HL1910EK.html?utm_source=amazonshopping&utm_medium=feed.*

* cited by examiner

Primary Examiner — Phillip S Hyder

Assistant Examiner — Roselynn Cody

(74) *Attorney, Agent, or Firm* — Stephen R. Valancius

(57) **CLAIM**

The ornamental design for a heat gun, as shown and described.

DESCRIPTION

FIG. 1 is a perspective view of a heat gun showing a first embodiment of our new design;

FIG. 2 is a front view of the heat gun of FIG. 1;

FIG. 3 is a back view of the heat gun of FIG. 1;

FIG. 4 is a right side view of the heat gun of FIG. 1;

FIG. 5 is a left side view of the heat gun of FIG. 1;

FIG. 6 is a top view of the heat gun of FIG. 1; and

FIG. 7 is a bottom view of the heat gun of FIG. 1.

FIG. 8 is a perspective view of a heat gun showing a second embodiment of our new design;

FIG. 9 is a front view of the heat gun of FIG. 8;

FIG. 10 is a back view of the heat gun of FIG. 8;

FIG. 11 is a right side view of the heat gun of FIG. 8;

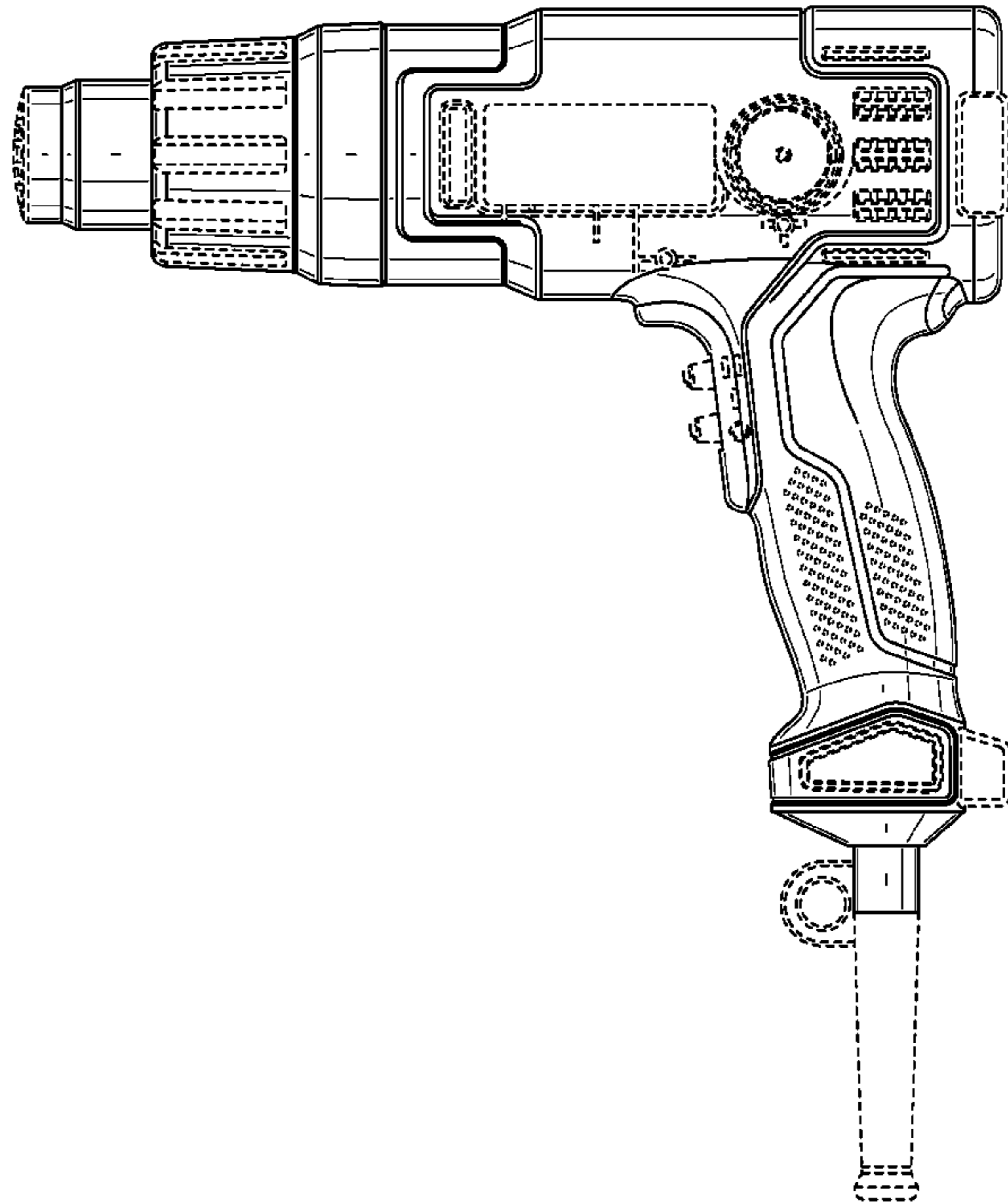
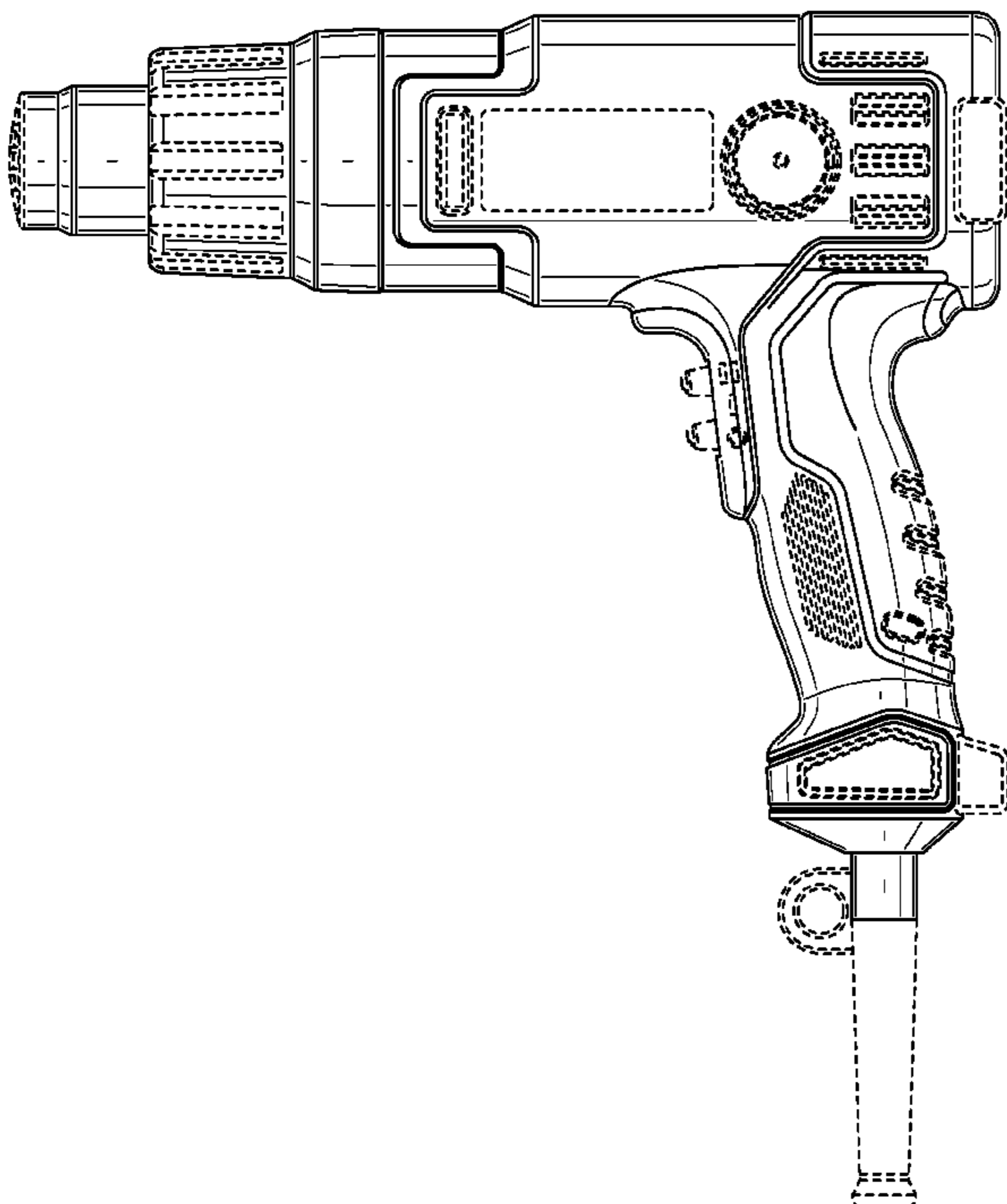
FIG. 12 is a left side view of the heat gun of FIG. 8;

FIG. 13 is a top view of the heat gun of FIG. 8; and,

FIG. 14 is a bottom view of the heat gun of FIG. 8.

The broken lines in the figures illustrate features that form no part of the claimed design.

1 Claim, 14 Drawing Sheets



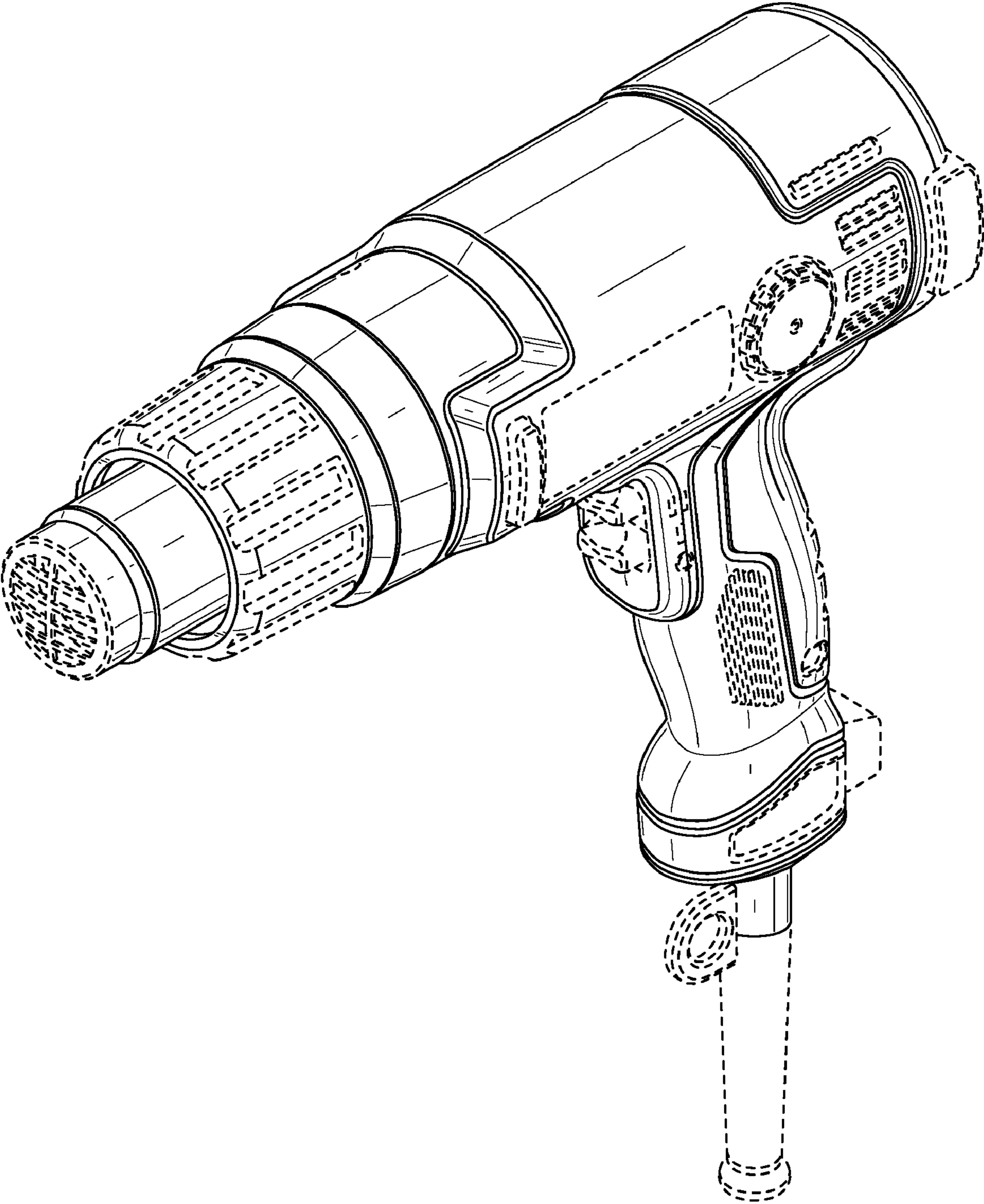


FIG. 1

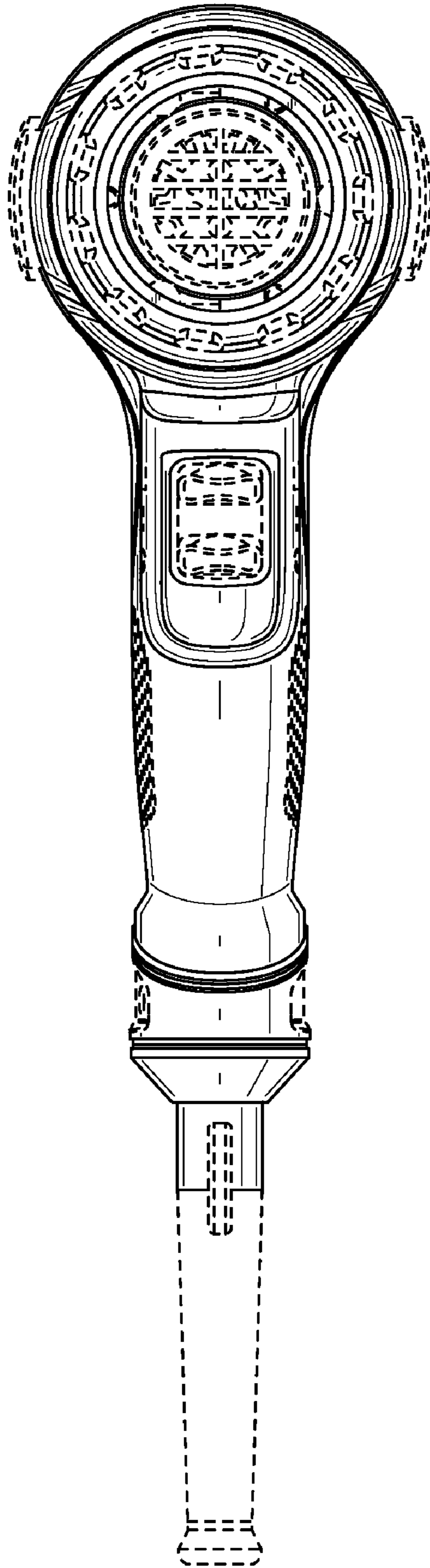


FIG. 2

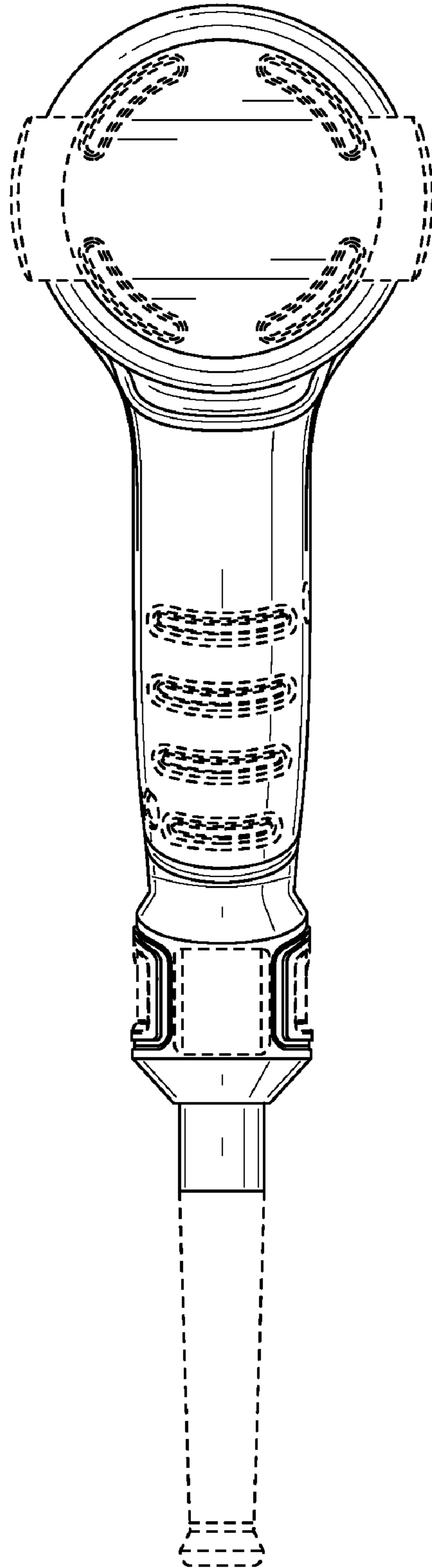


FIG. 3

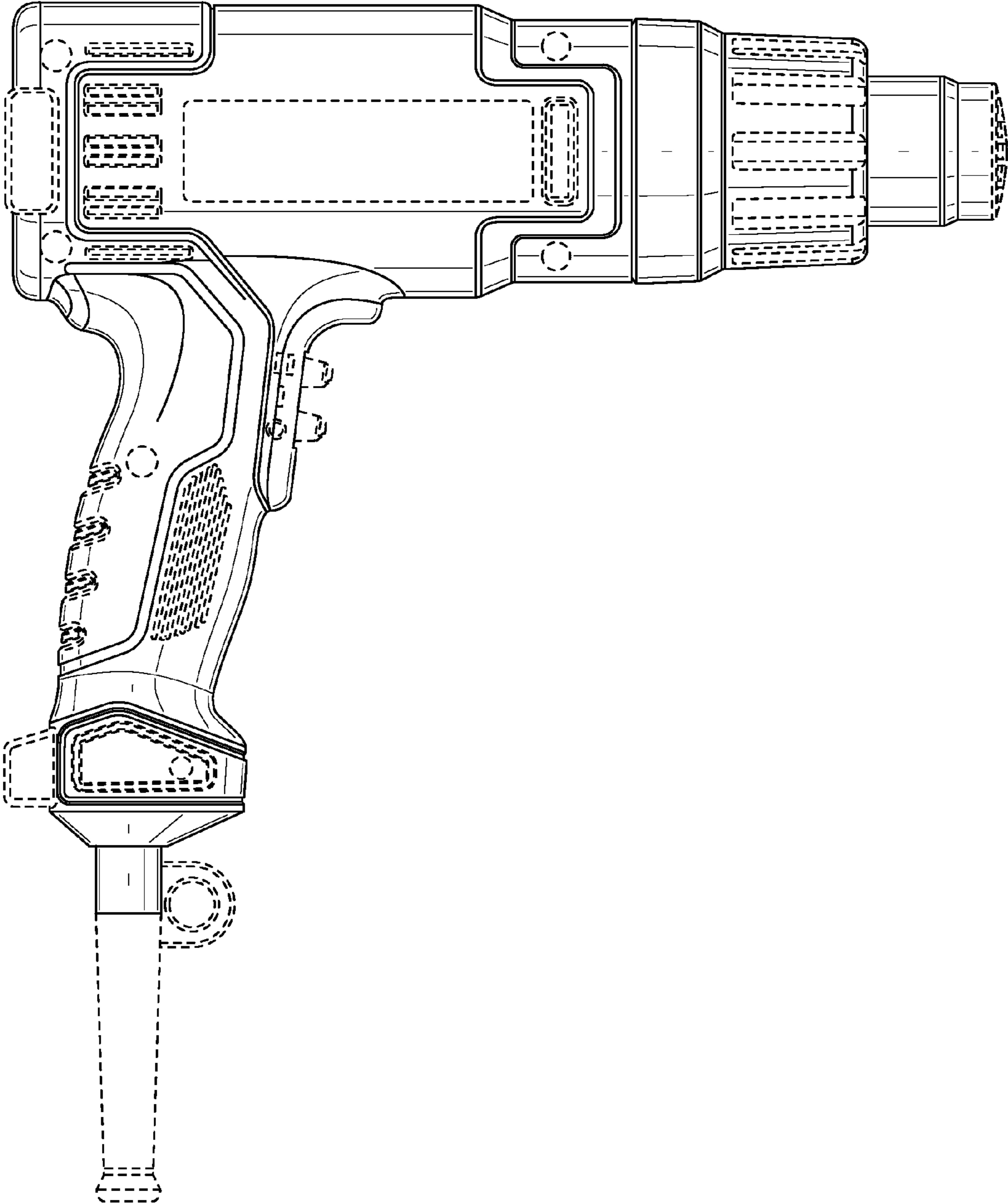


FIG. 4

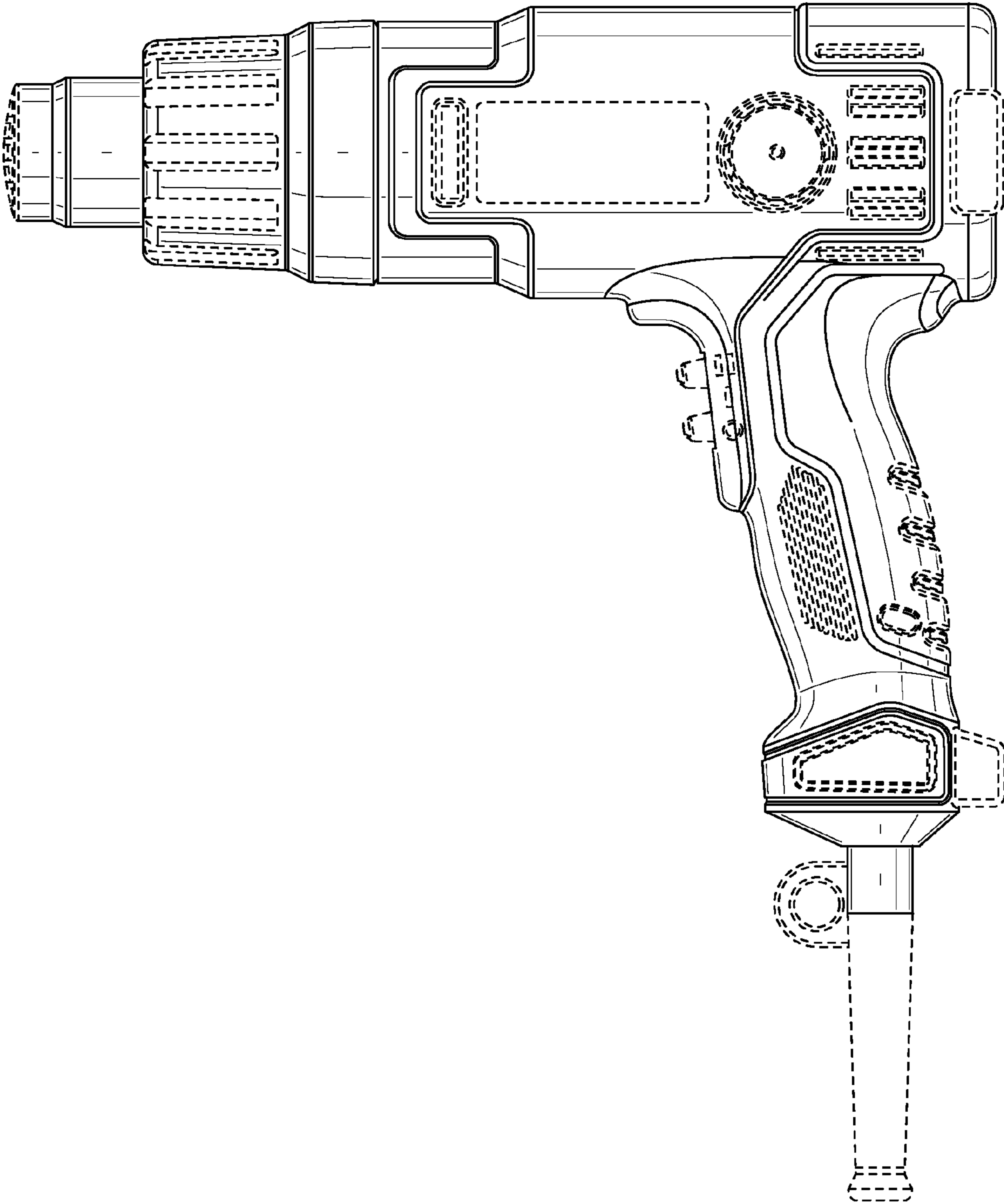


FIG. 5

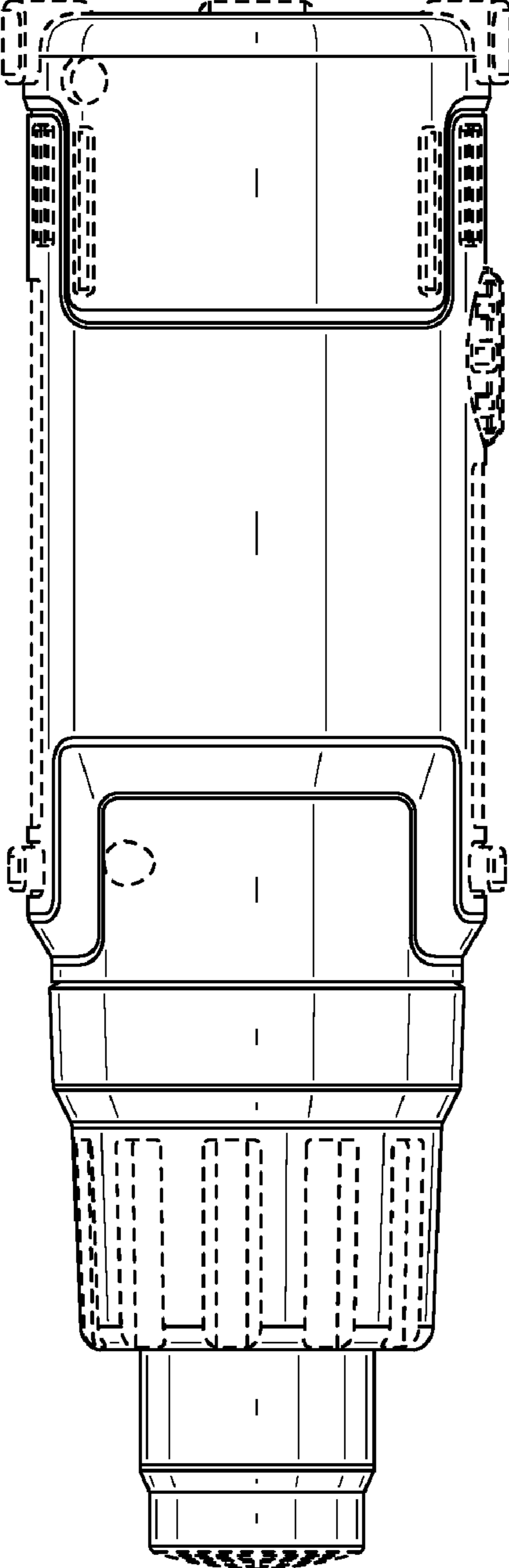


FIG. 6

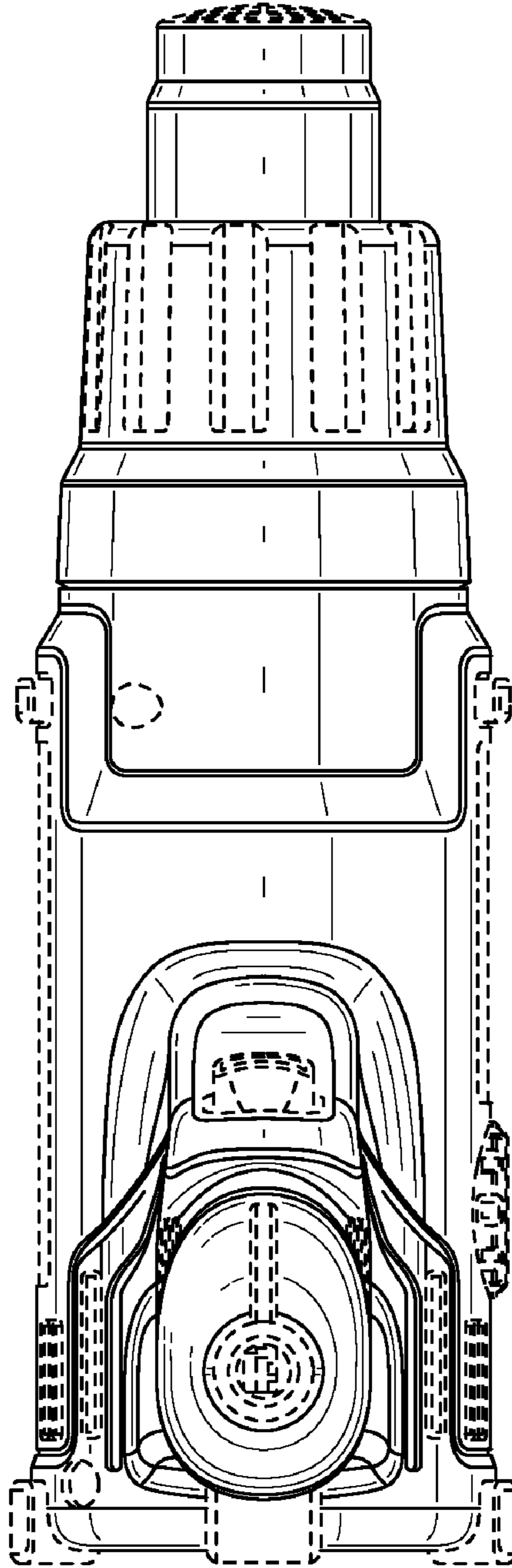


FIG. 7

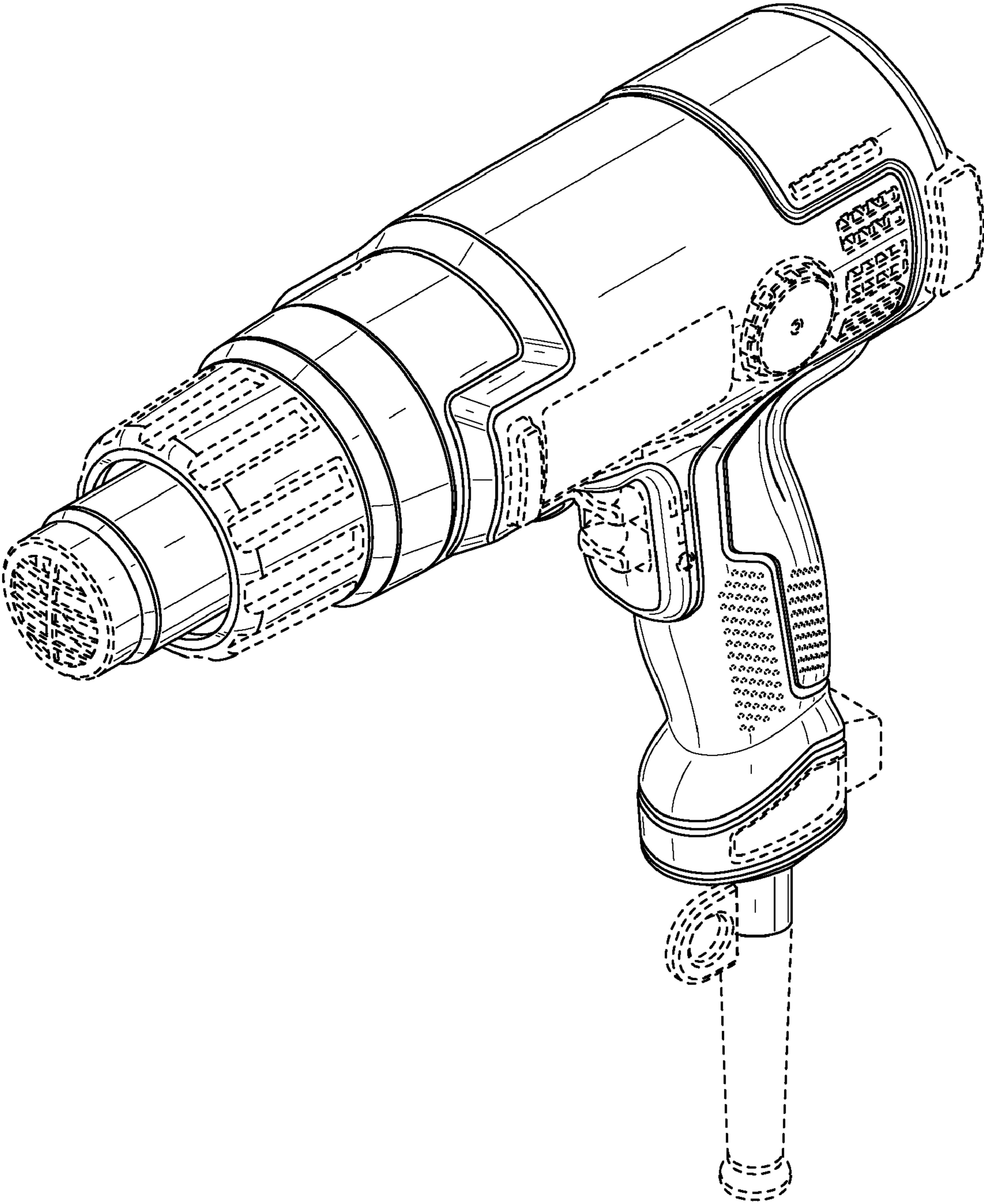


FIG. 8

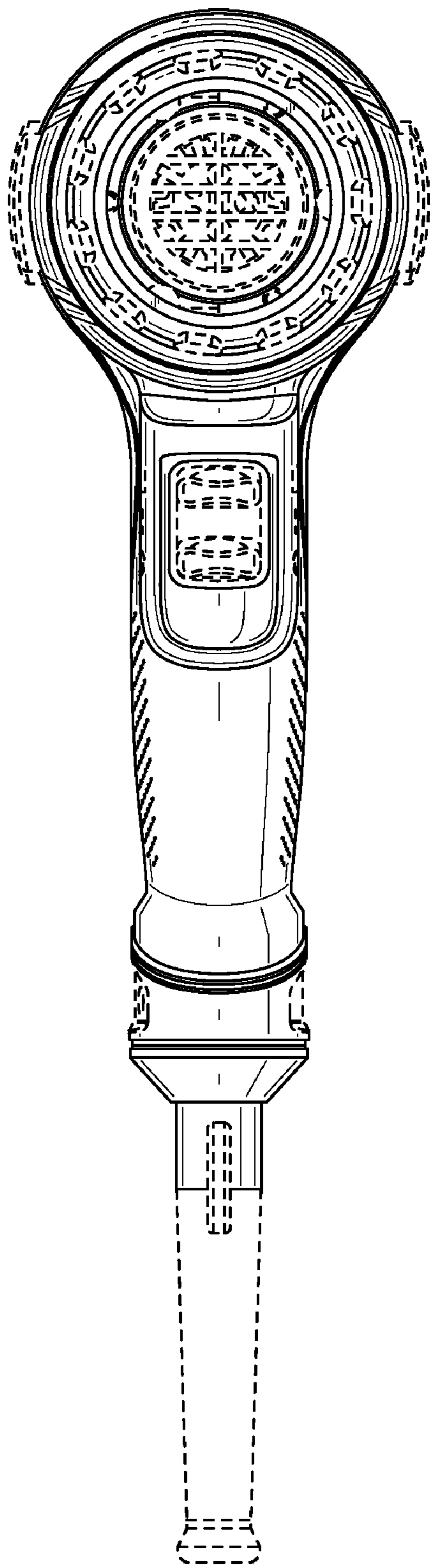


FIG. 9

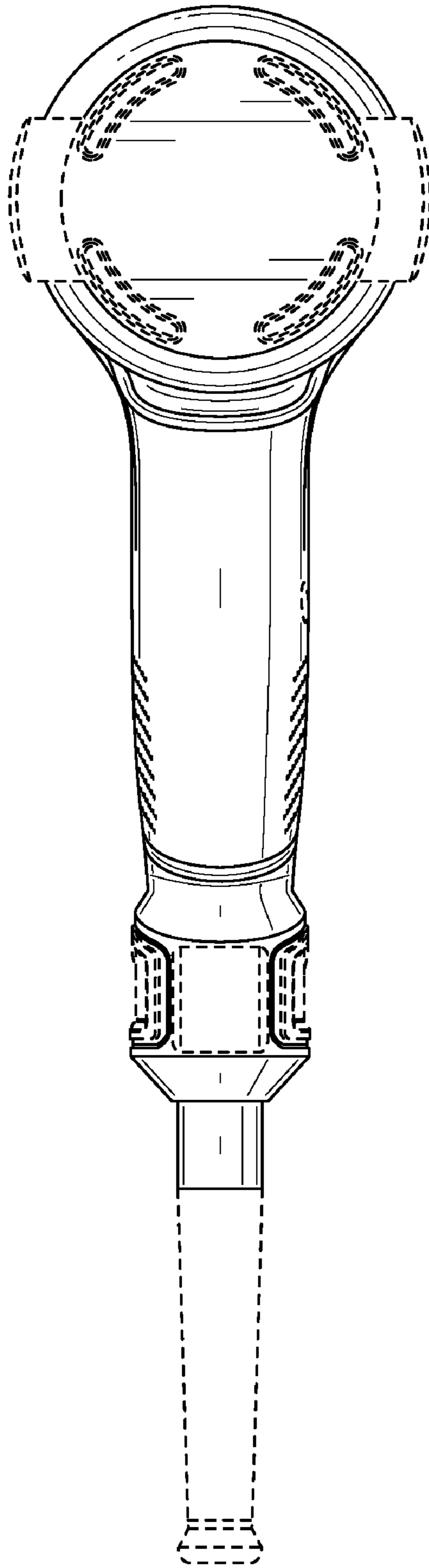


FIG. 10

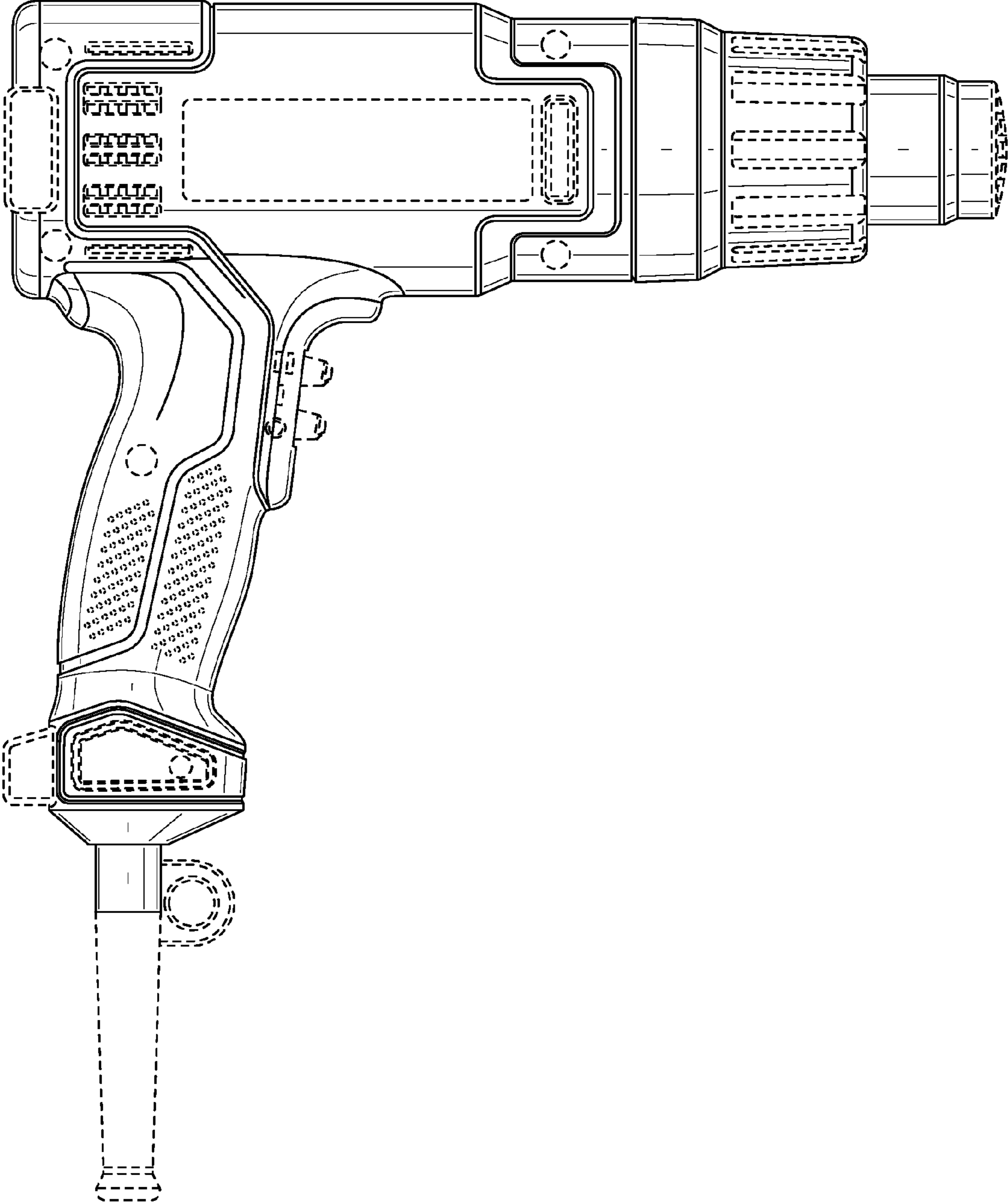


FIG. 11

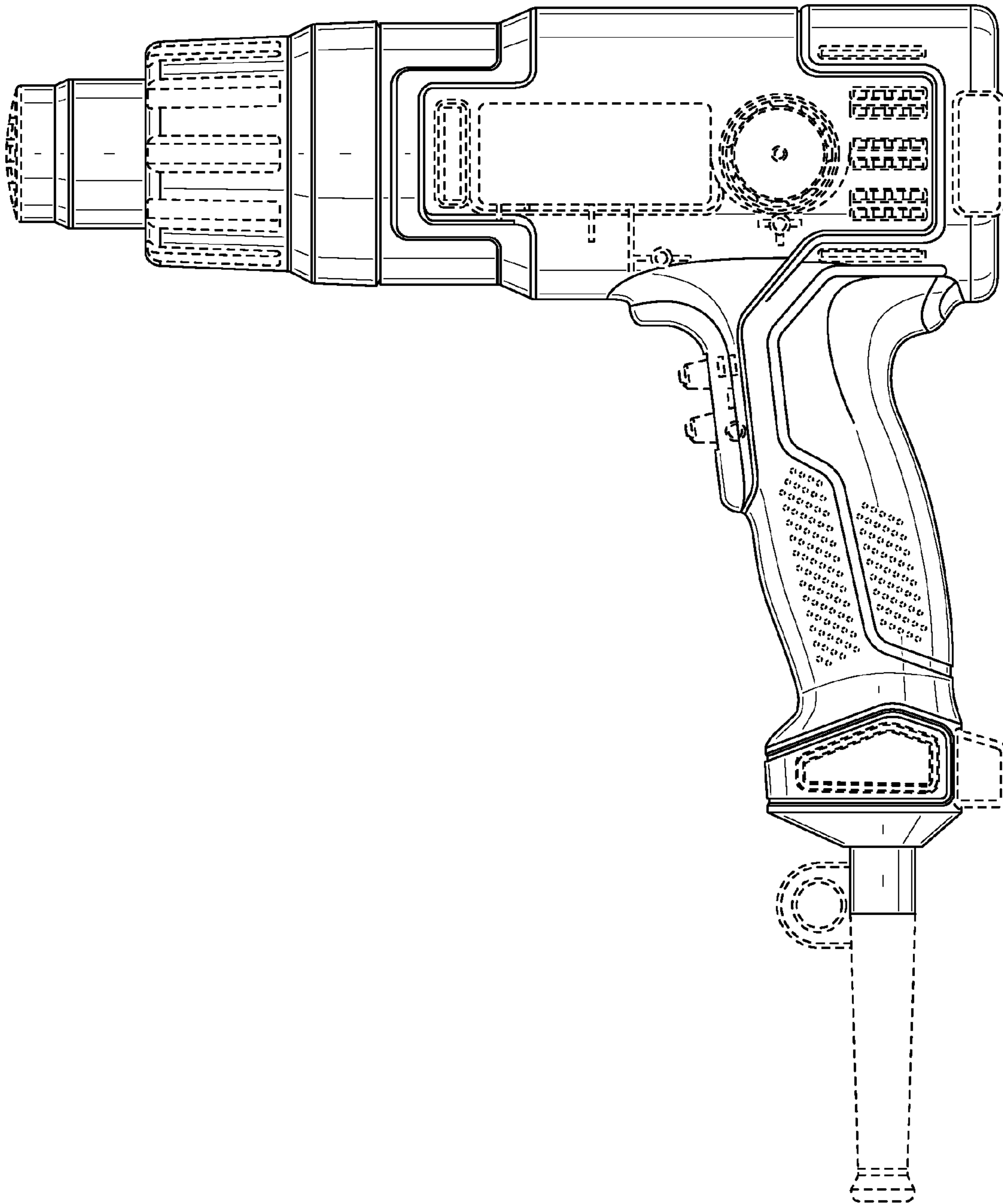


FIG. 12

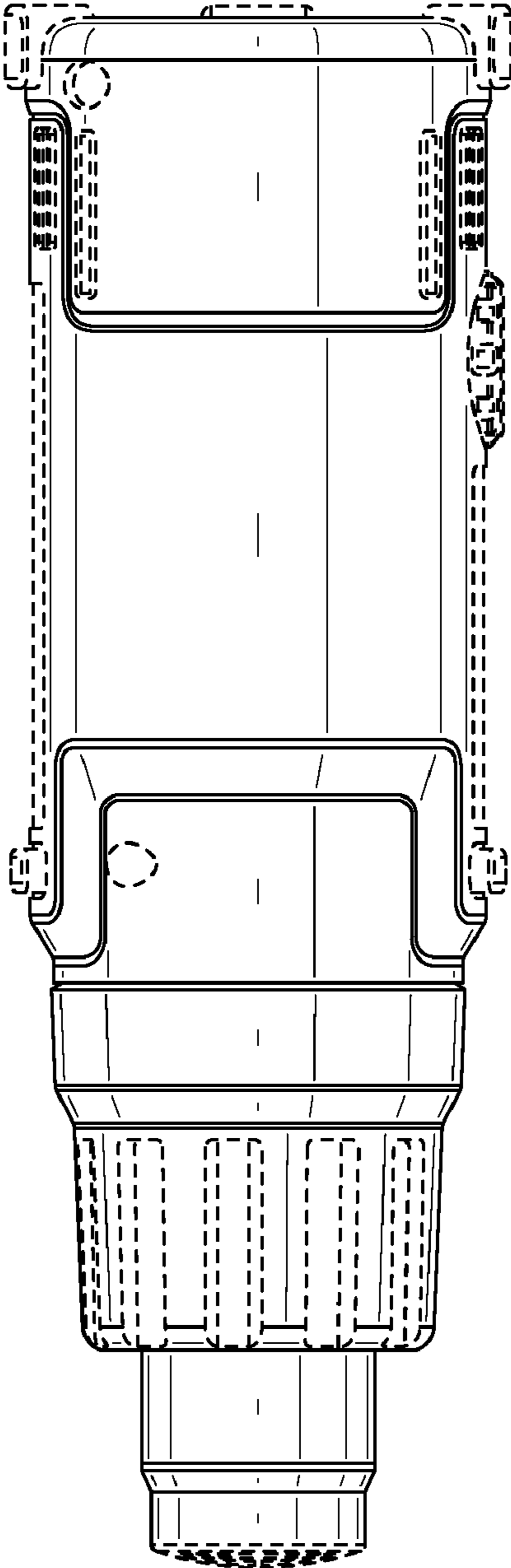


FIG. 13

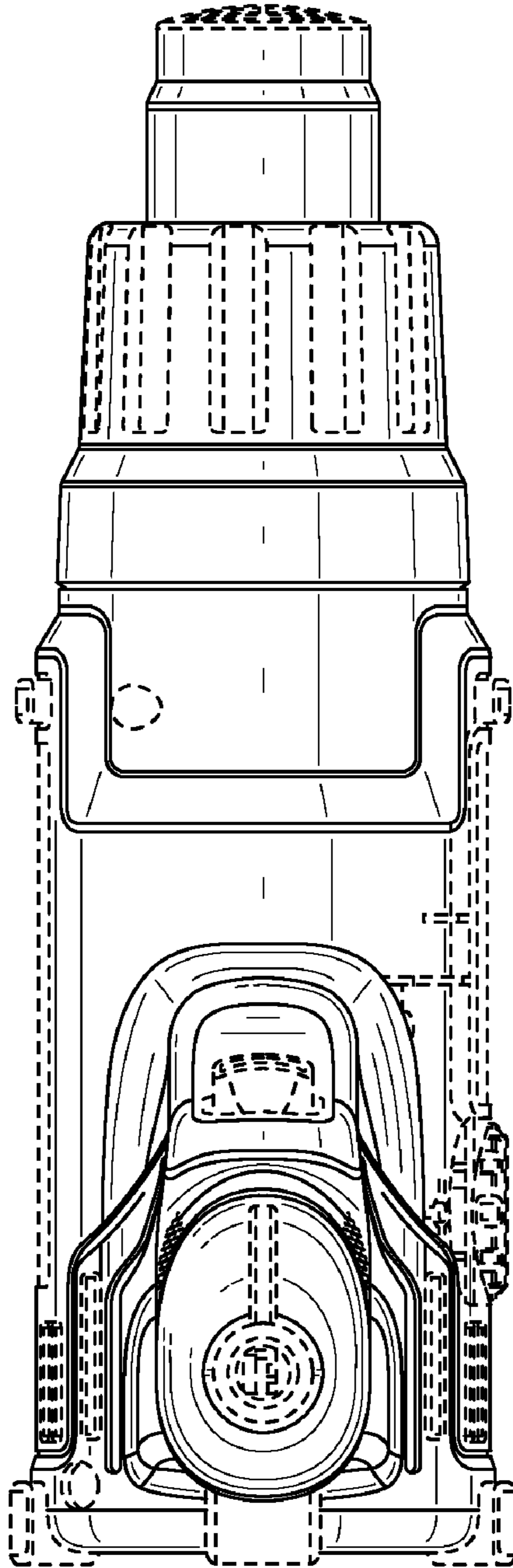


FIG. 14