



US00D639127S

(12) **United States Design Patent**  
**Noniewicz**

(10) **Patent No.:** **US D639,127 S**  
(45) **Date of Patent:** **\*\* Jun. 7, 2011**

(54) **MECHANICAL CAULKING GUN**

FOREIGN PATENT DOCUMENTS

- (75) Inventor: **Zbigniew Noniewicz**, Kampenich (DE)
- (73) Assignee: **Wolfcraft GmbH**, Kempenich (DE)
- (\*\*) Term: **14 Years**
- (21) Appl. No.: **29/381,340**
- (22) Filed: **Dec. 17, 2010**

|    |              |    |         |
|----|--------------|----|---------|
| DE | 3431291      | A1 | 3/1986  |
| DE | 3512967      | A1 | 10/1986 |
| DE | 3530212      | C1 | 10/1986 |
| DE | 4216619      | A1 | 11/1993 |
| DE | 29903910     | U1 | 6/1999  |
| DE | 10213001     | A1 | 10/2003 |
| DE | 202004002186 | U1 | 8/2004  |
| EP | 0525562      | B1 | 5/1995  |
| JP | 2003147962   | A  | 5/2003  |
| WO | 95/22411     | A1 | 8/1995  |
| WO | 2006/089511  | A2 | 8/2006  |

\* cited by examiner

**Related U.S. Application Data**

- (62) Division of application No. 29/377,015, filed on Oct. 15, 2010, now Pat. No. Des. 632,935.

*Primary Examiner* — Antoine D Davis

(74) *Attorney, Agent, or Firm* — Lucas & Mercanti, LLP

(30) **Foreign Application Priority Data**

Apr. 27, 2010 (EM) ..... 001211080

- (51) **LOC (9) Cl.** ..... **08-05**
- (52) **U.S. Cl.** ..... **D8/14.1**
- (58) **Field of Classification Search** ..... D8/14.1;  
222/92, 105, 145.1, 160, 325-327, 386, 391,  
222/567; 74/141.5

See application file for complete search history.

(57) **CLAIM**

The ornamental design for a mechanical caulking gun, as shown and described.

**DESCRIPTION**

FIG. 1 is a right side view of a mechanical caulking gun showing my new design;  
 FIG. 2 is a front view thereof;  
 FIG. 3 is a back view thereof;  
 FIG. 4 is a left side view thereof;  
 FIG. 5 is a top view thereof;  
 FIG. 6 is a bottom view thereof; and,  
 FIG. 7 is a perspective view thereof.

(56) **References Cited**

U.S. PATENT DOCUMENTS

|           |    |   |         |                |       |         |
|-----------|----|---|---------|----------------|-------|---------|
| D455,620  | S  | * | 4/2002  | Lee            | ..... | D8/14.1 |
| D567,039  | S  | * | 4/2008  | Hughes et al.  | ..... | D8/14.1 |
| 7,451,900 | B2 | * | 11/2008 | Hornsby et al. | ..... | 222/325 |
| 7,637,392 | B2 | * | 12/2009 | Hsu et al.     | ..... | 222/137 |

**1 Claim, 5 Drawing Sheets**

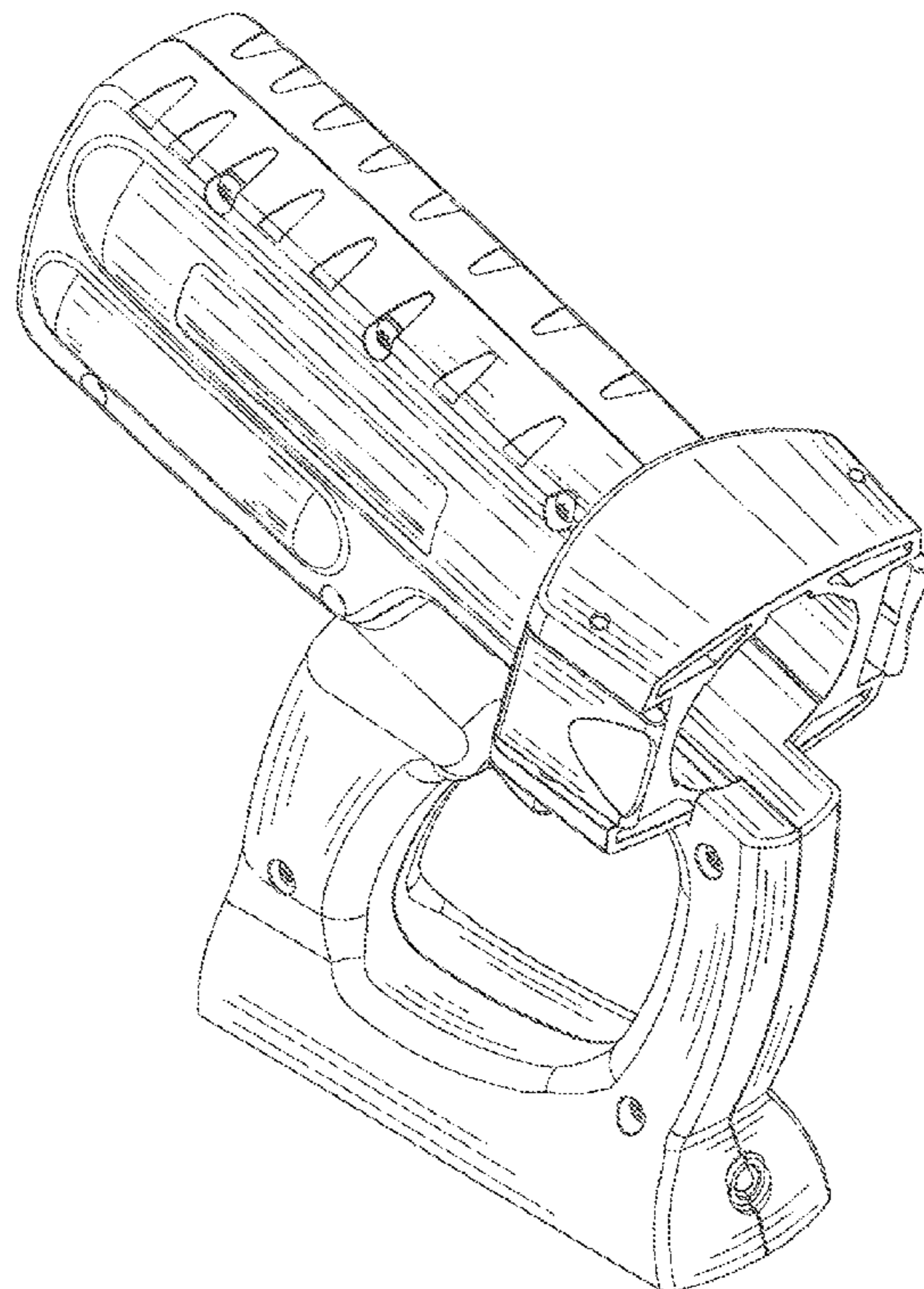
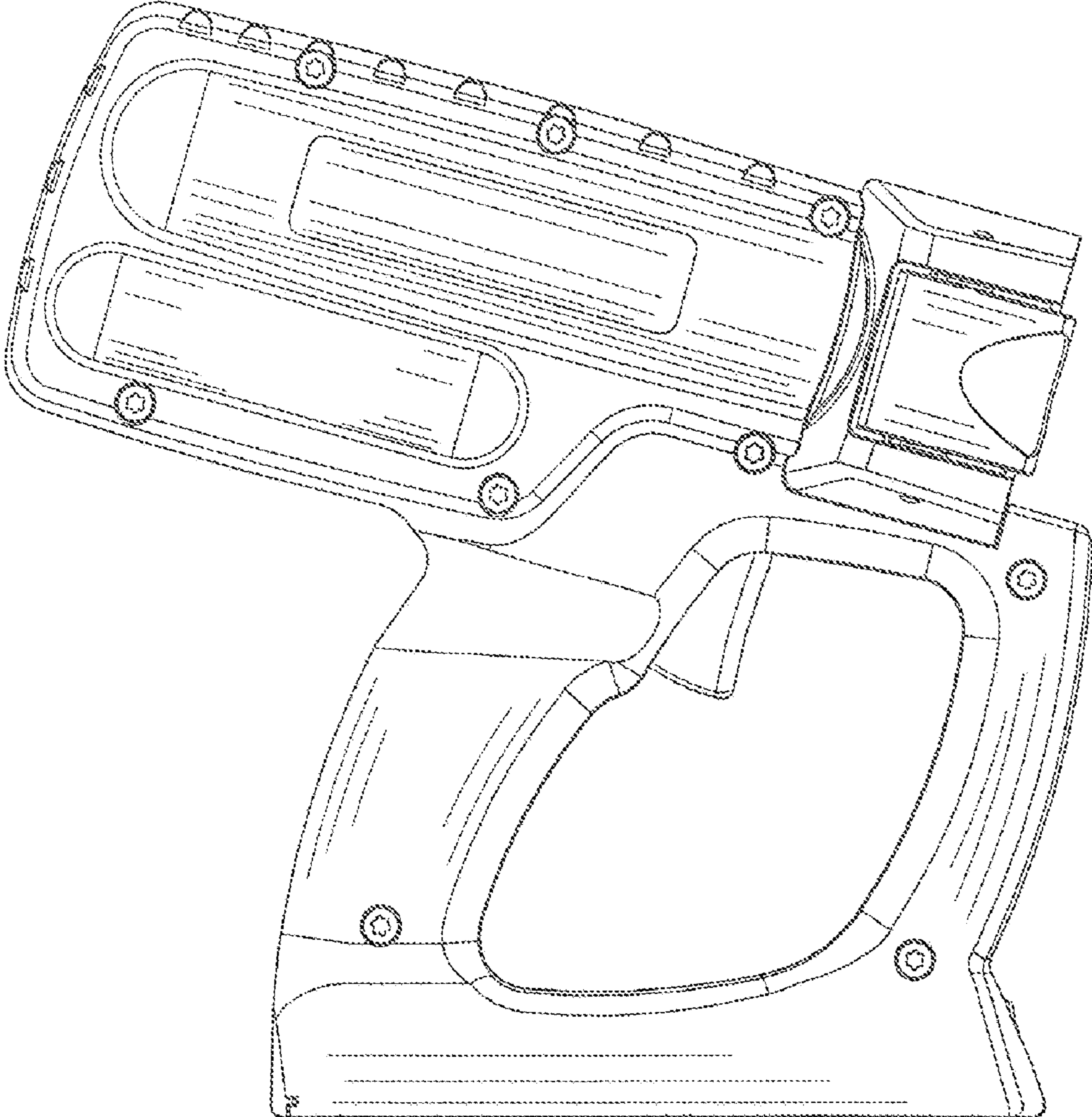
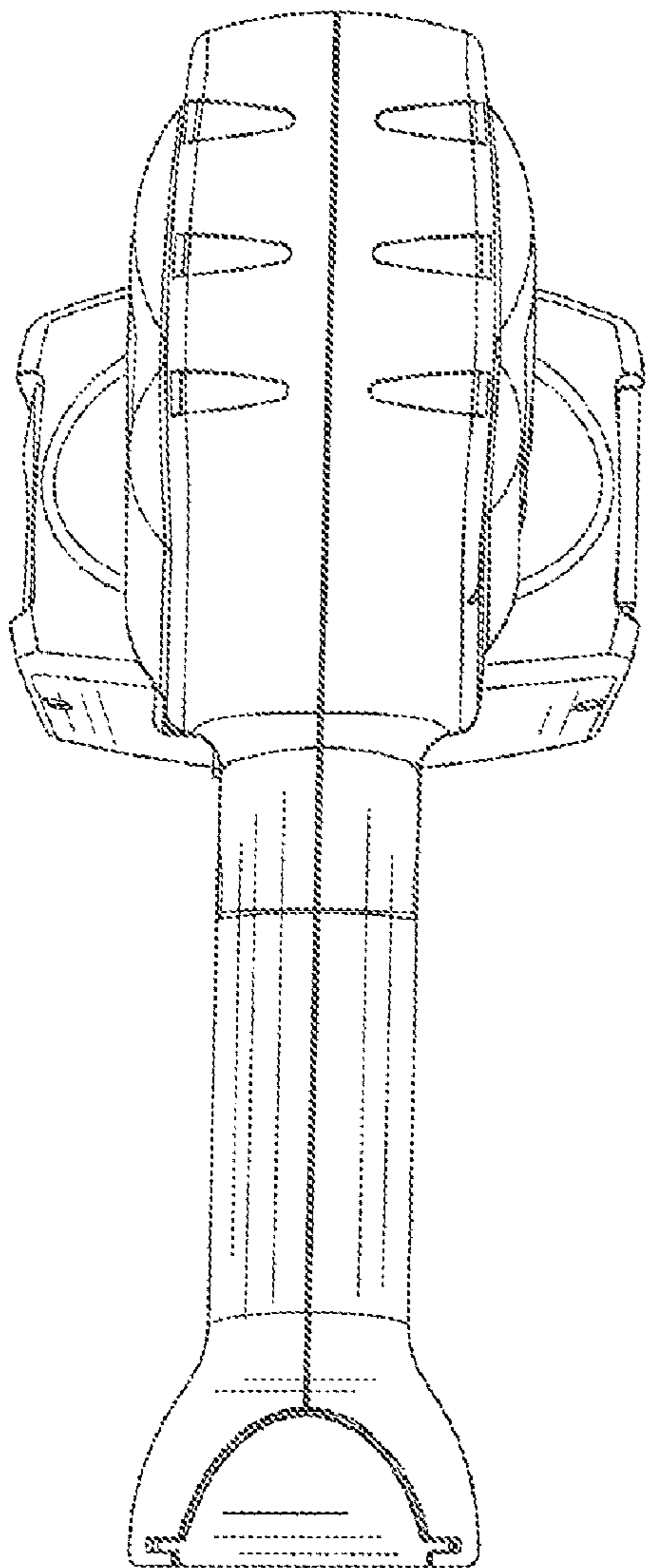


FIG. 1



**FIG. 2**



**FIG. 3**

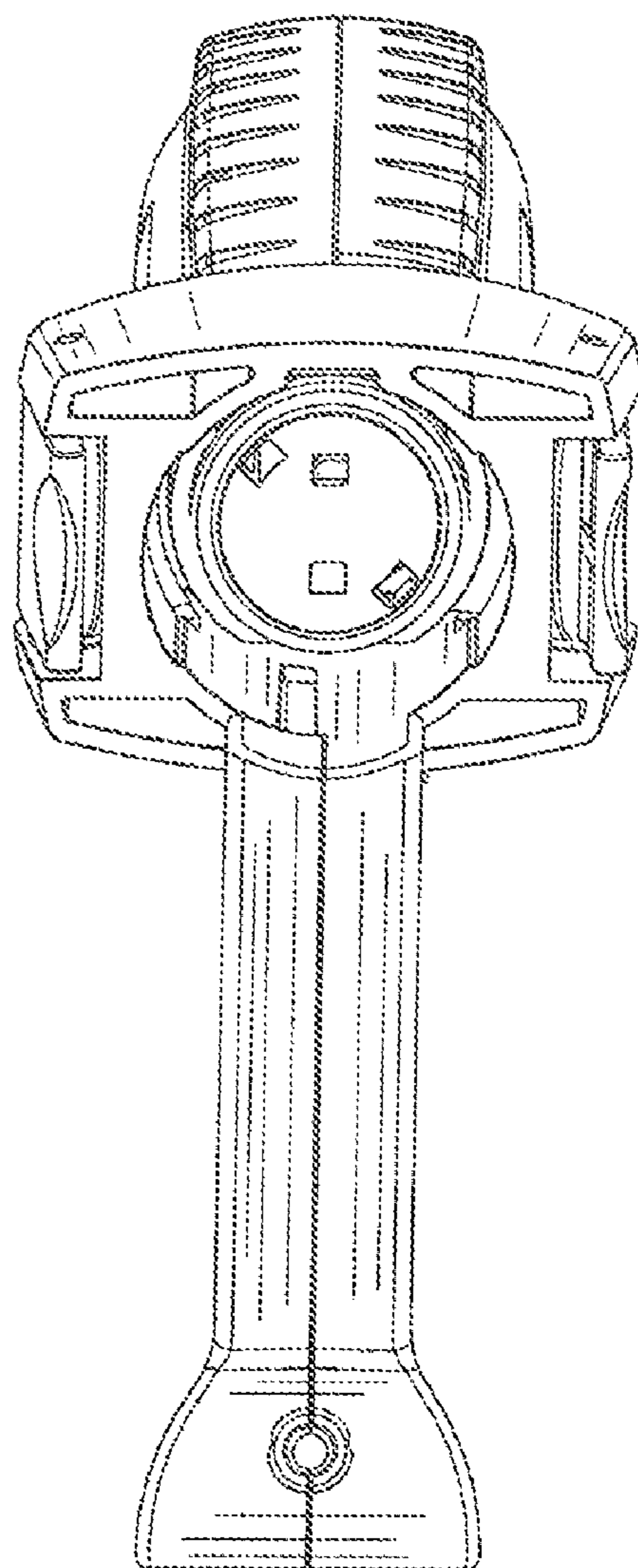


FIG. 4

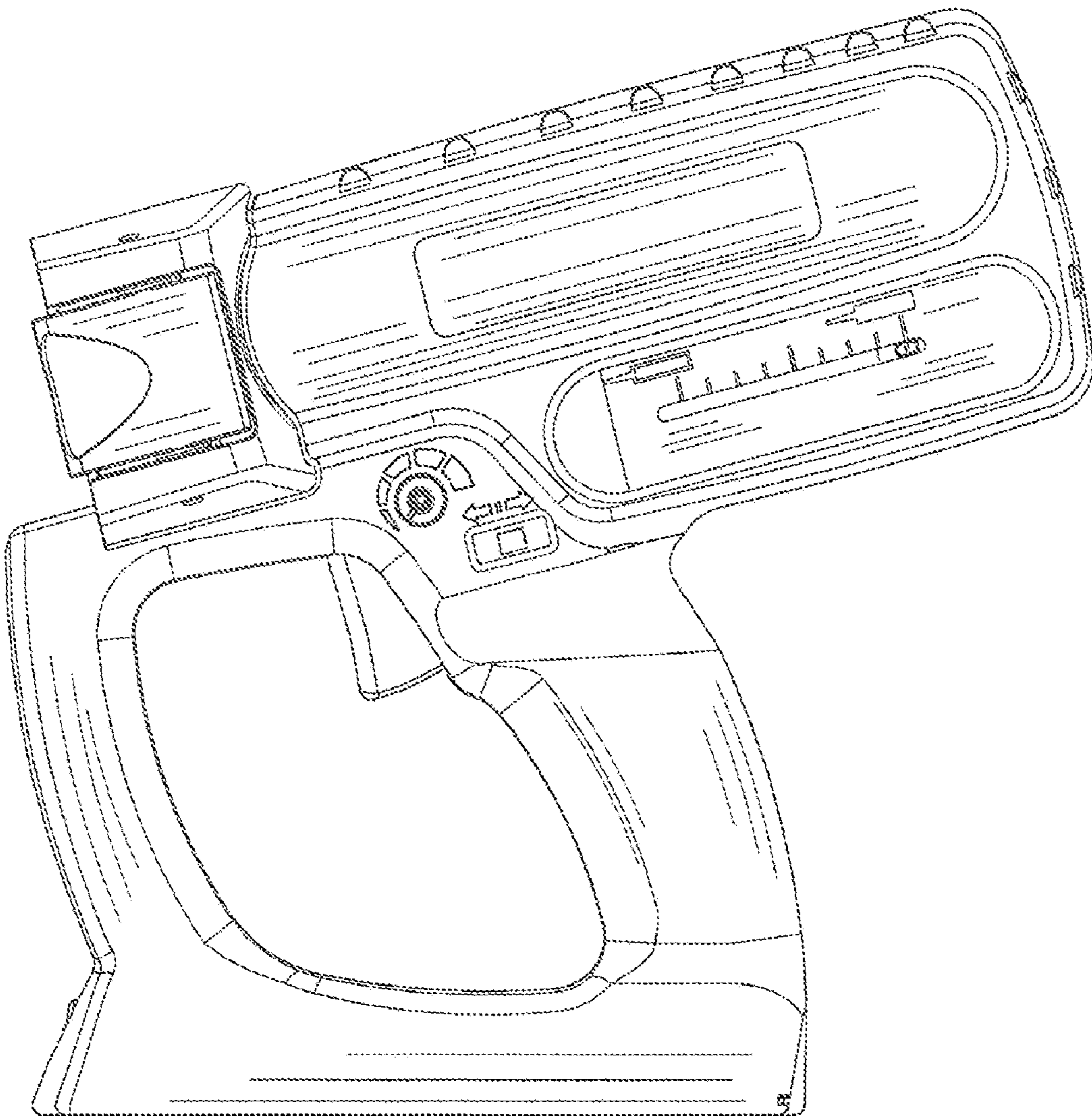


FIG. 5

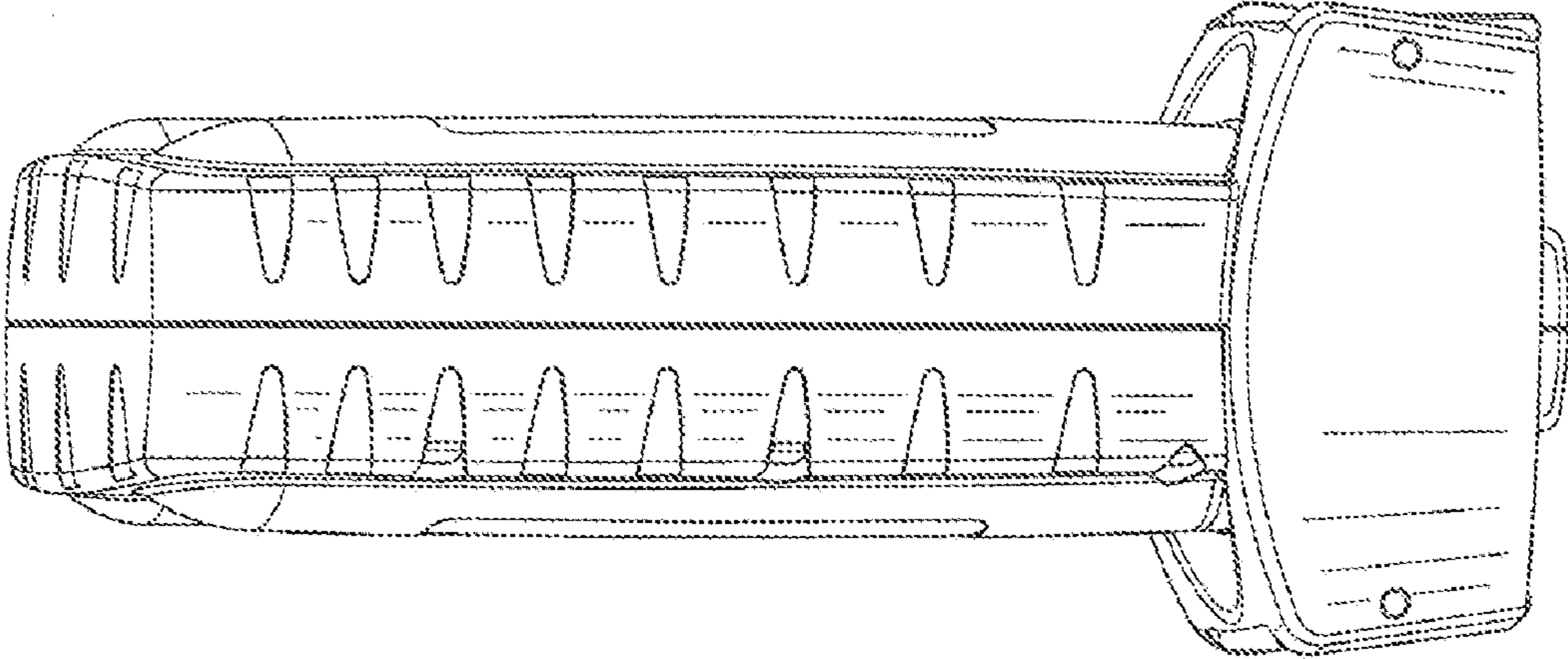


FIG. 6

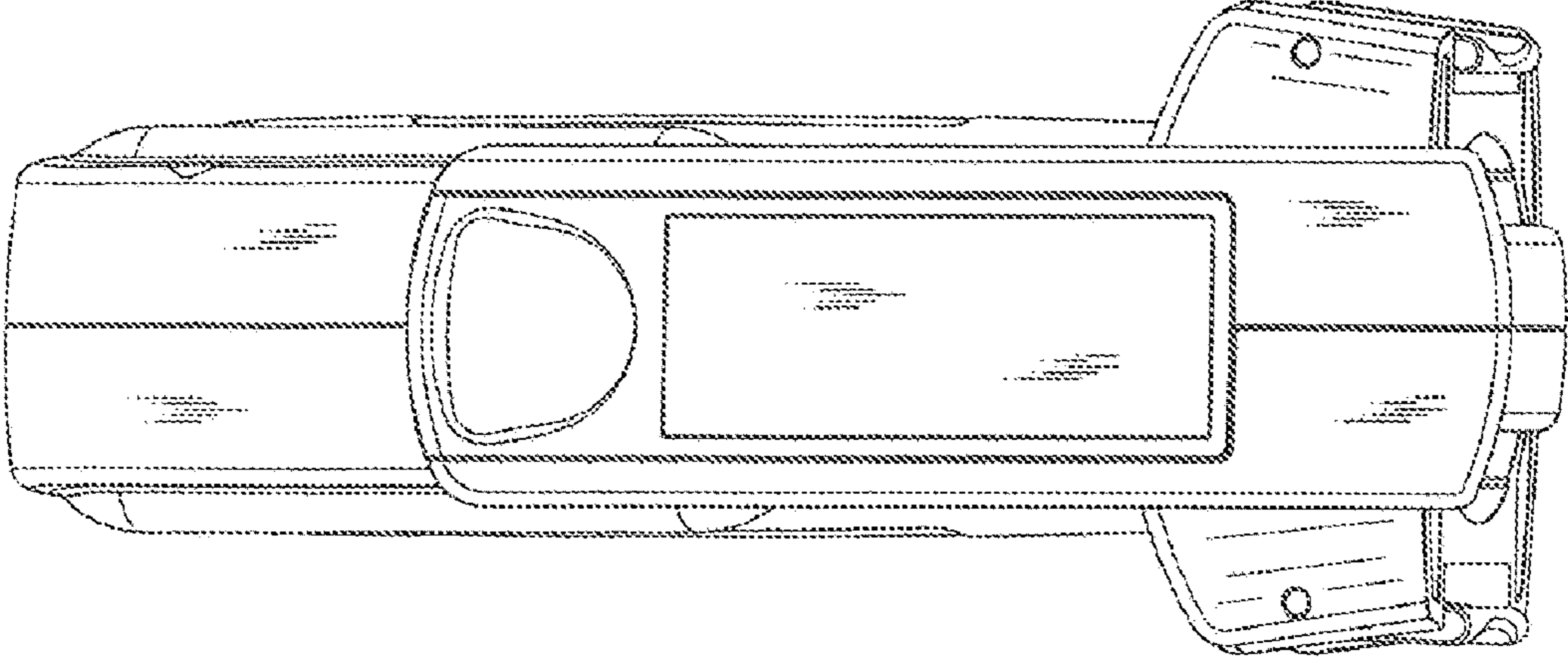


FIG. 7

