



US00D639120S

(12) **United States Design Patent**  
**Jowett**

(10) **Patent No.:** **US D639,120 S**  
(45) **Date of Patent:** **\*\* Jun. 7, 2011**

(54) **SANDWICH BREAD CRUST CUTTER**

FOREIGN PATENT DOCUMENTS

(76) Inventor: **Kiersten Julia Jowett**, Ashburton (AU)

AU 316513AS 9/2010

\* cited by examiner

(\*\*) Term: **14 Years**

*Primary Examiner* — Terry A Wallace

(21) Appl. No.: **29/365,649**

(74) *Attorney, Agent, or Firm* — Saul Ewing LLP; Theodore Naccarella

(22) Filed: **Jul. 13, 2010**

(51) **LOC (9) Cl.** ..... **07-03**

(52) **U.S. Cl.** ..... **D7/673**

(58) **Field of Classification Search** ..... D7/672-677;  
249/117, 135; 30/303, 301, 305, 312, 315,  
30/114, 124, 299, 130, 314, 316; 269/87.2,  
269/295, 288; 425/276, 281, 290, 289, DIG. 1  
See application file for complete search history.

(57) **CLAIM**

The ornamental design for a sandwich break crust cutter, as shown and described.

**DESCRIPTION**

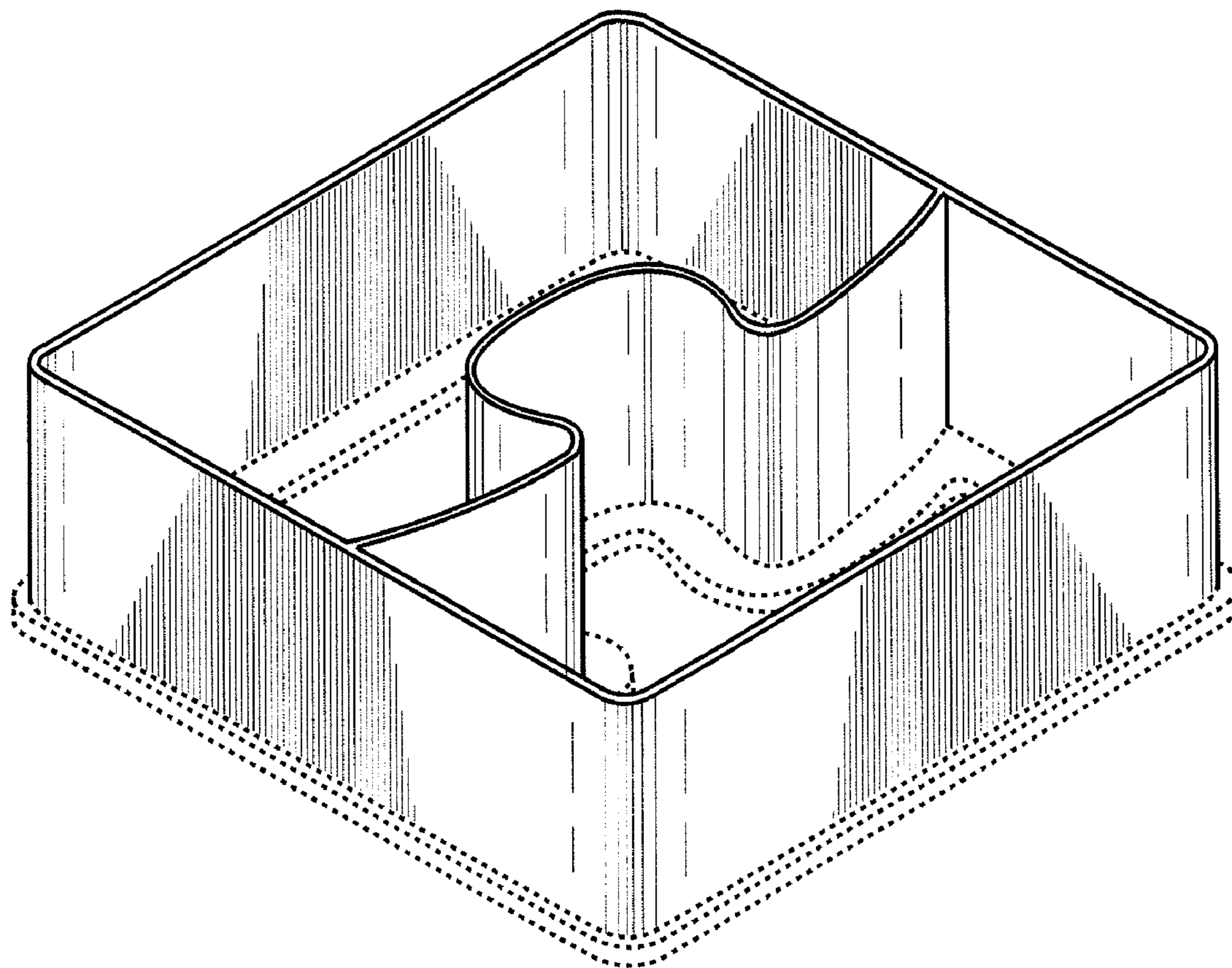
FIG. 1 is a bottom view of the cutting pattern applied to a sandwich bread crust cutter showing my new design; FIG. 2. is a front elevation view thereof; FIG. 3. is an isometric view thereof; FIG. 4. is a top plan view thereof; FIG. 5. is a right side elevation view thereof; FIG. 6. is a left elevation view thereof; and, FIG. 7. is a rear elevation view thereof. The broken lines are for illustrative purposes only and form no part of the claimed design.

(56) **References Cited**

U.S. PATENT DOCUMENTS

D154,318 S *	6/1949	Price et al.	.....	D7/676
D154,319 S *	6/1949	Price et al.	.....	D7/676
2,754,587 A *	7/1956	Bylka	.....	30/301
3,319,682 A *	5/1967	Hall	.....	269/288
4,245,973 A *	1/1981	Greaney	.....	425/276
D567,037 S *	4/2008	Taylor	.....	D7/672
D597,800 S *	8/2009	Goode et al.	.....	D7/675
D597,801 S *	8/2009	Goode et al.	.....	D7/675
2004/0187317 A1 *	9/2004	Wood	.....	30/315

**1 Claim, 3 Drawing Sheets**



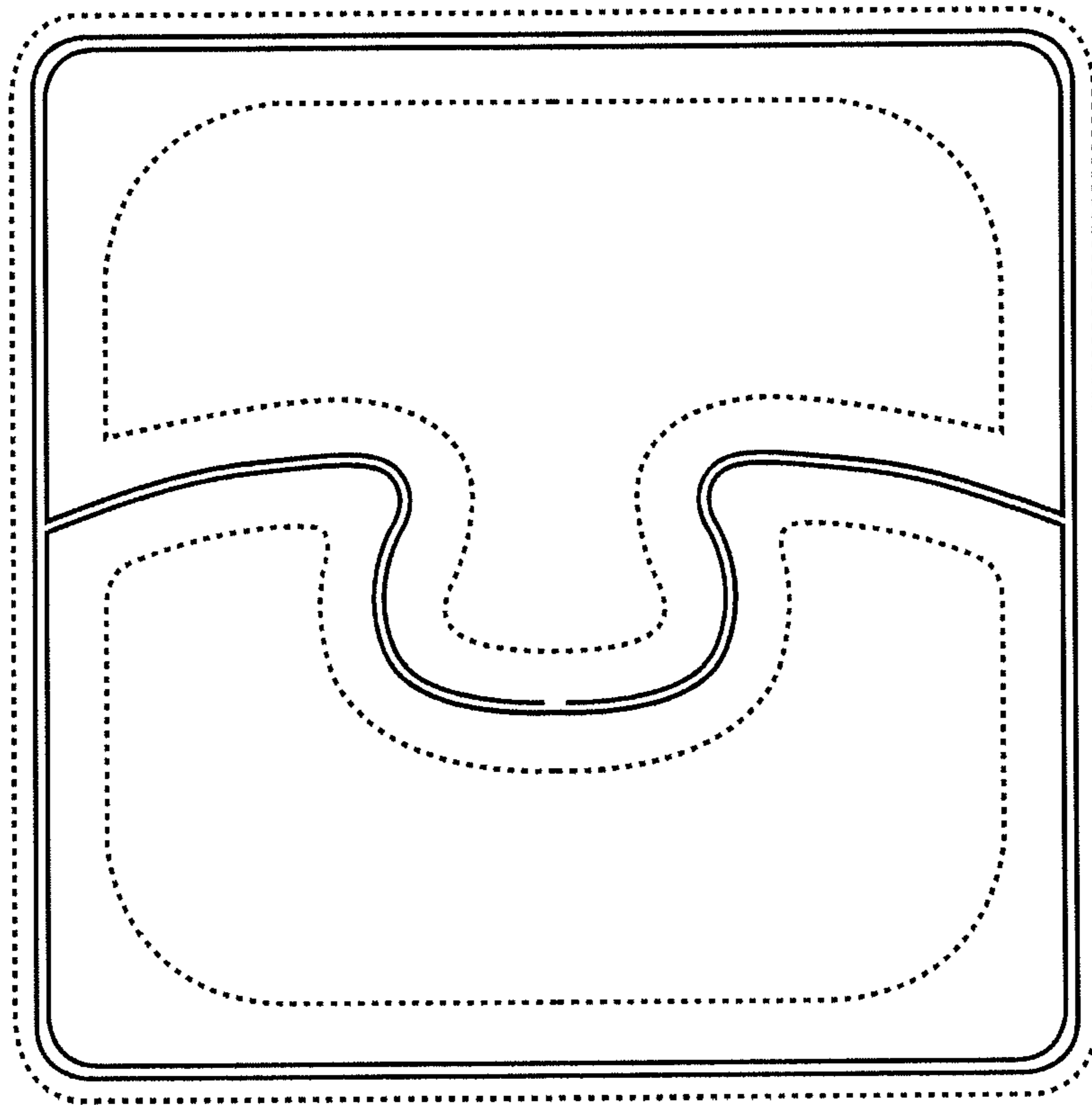


Figure 1

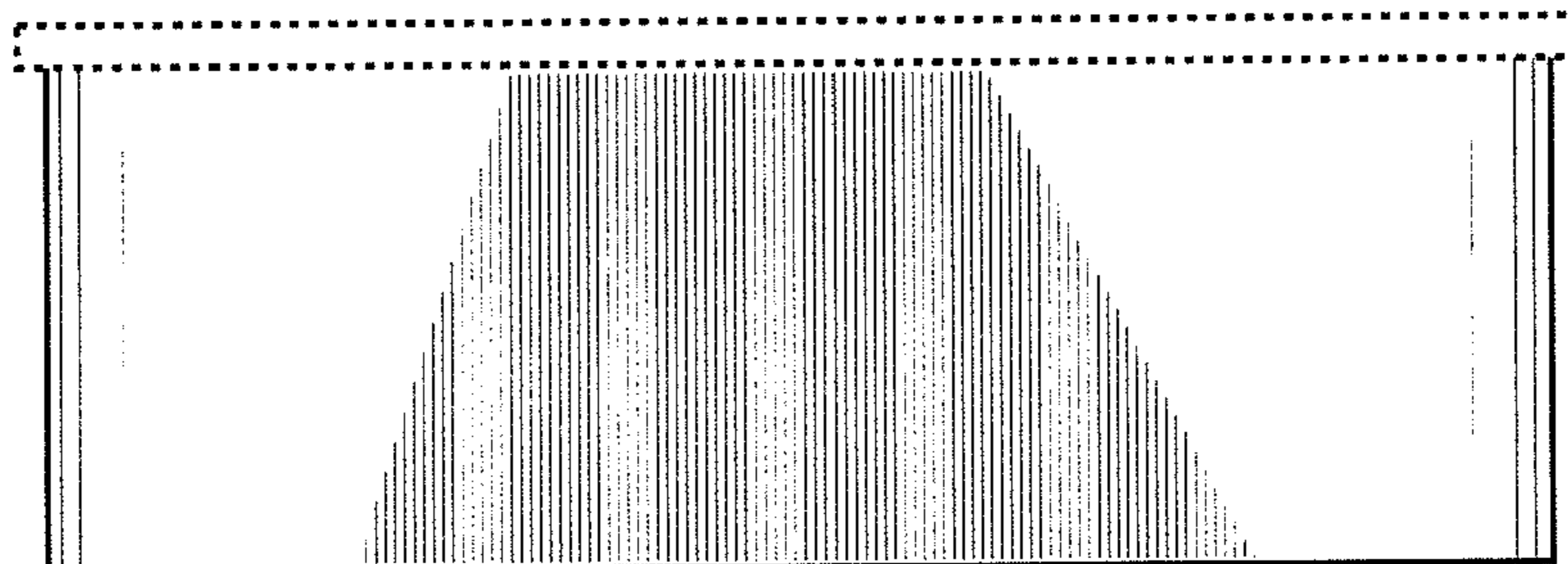
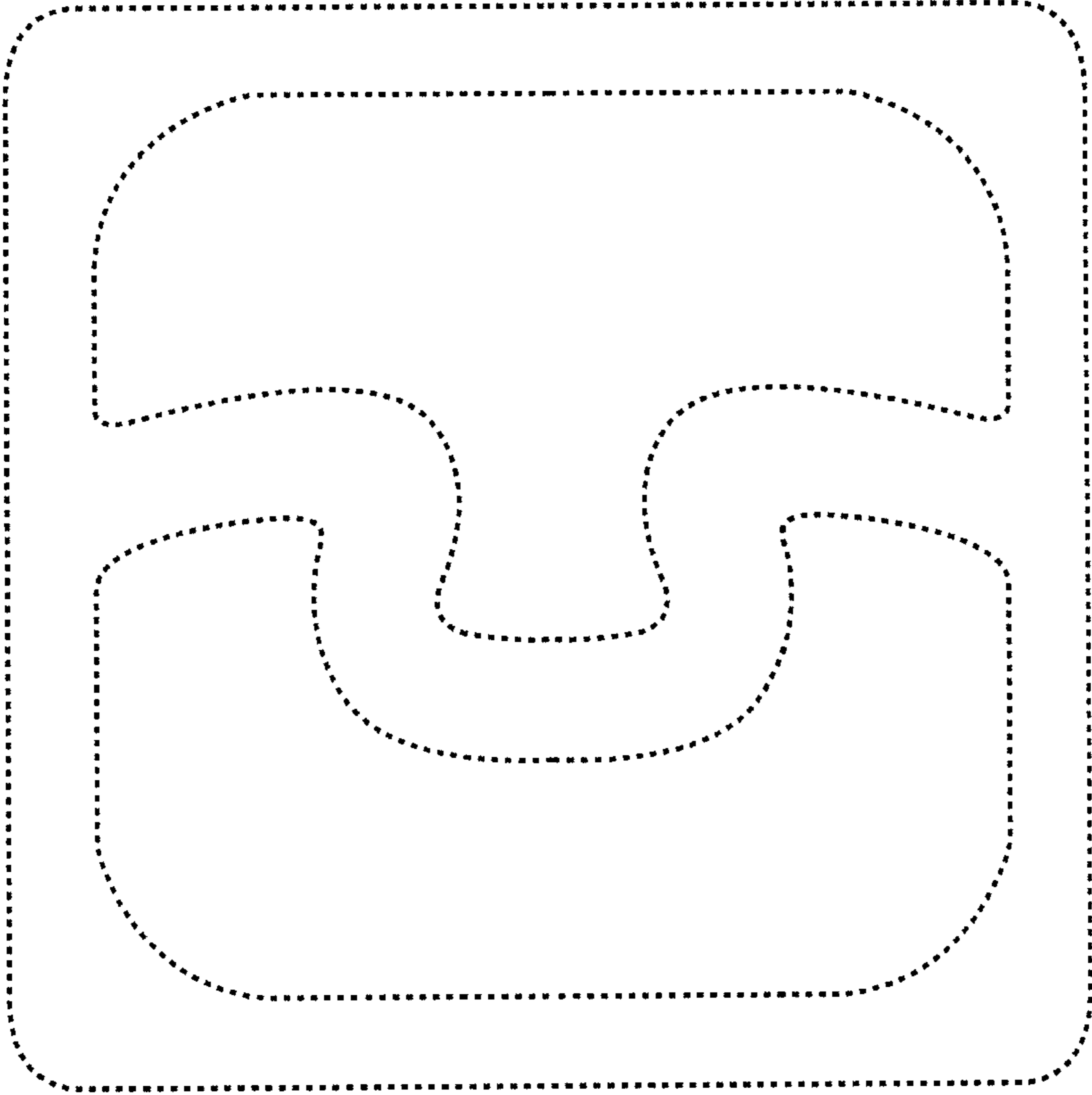
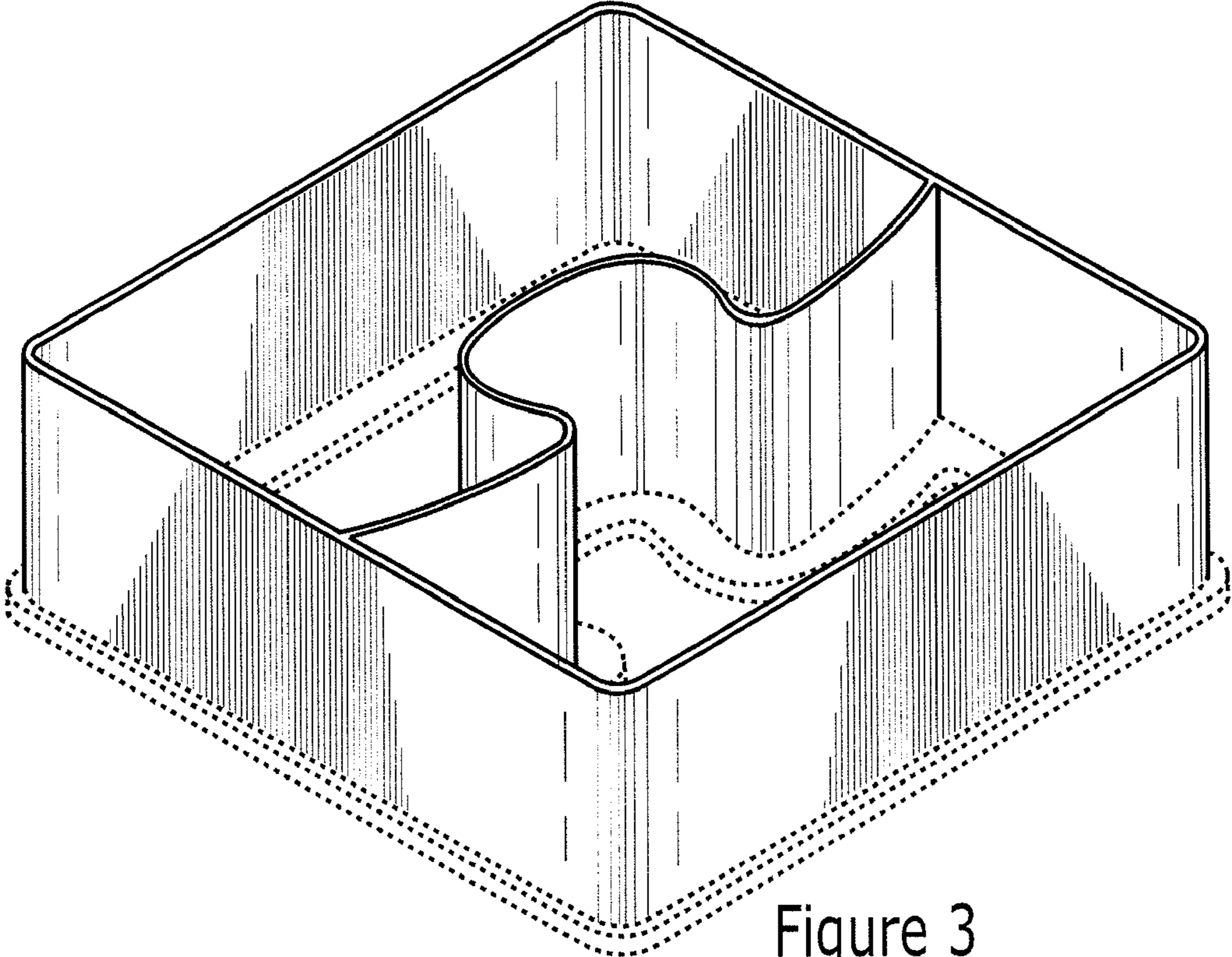


Figure 2



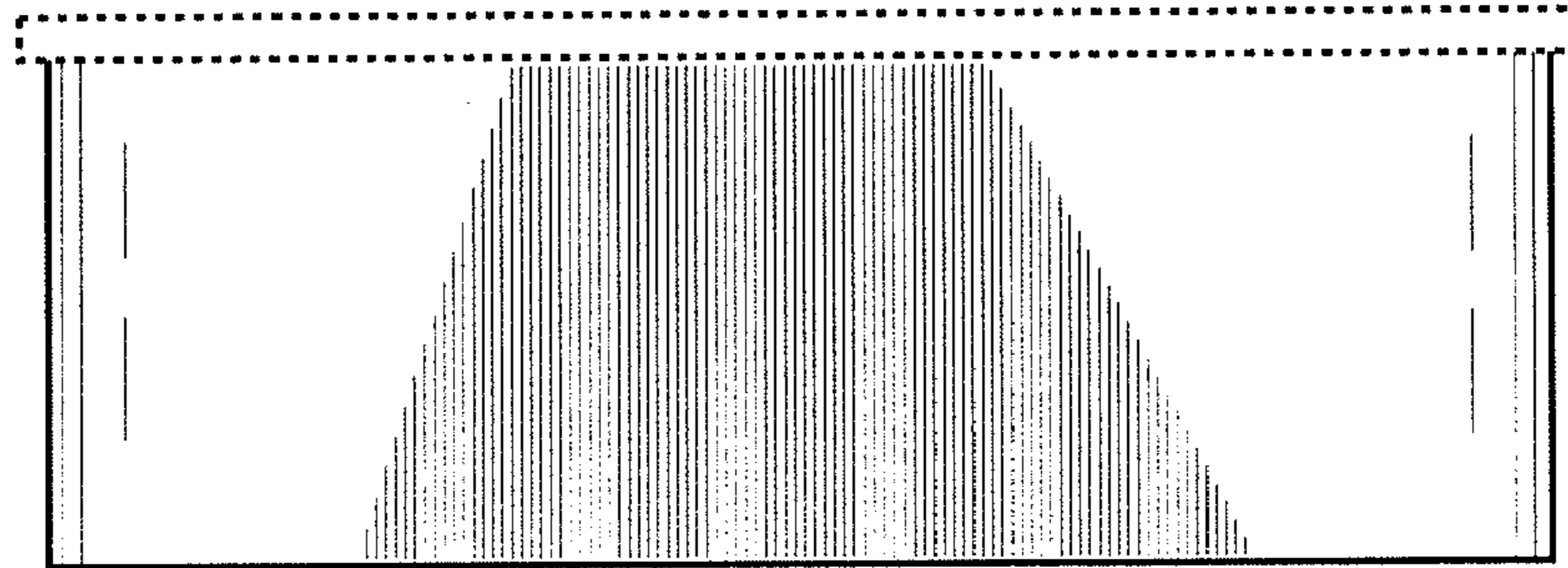


Figure 5

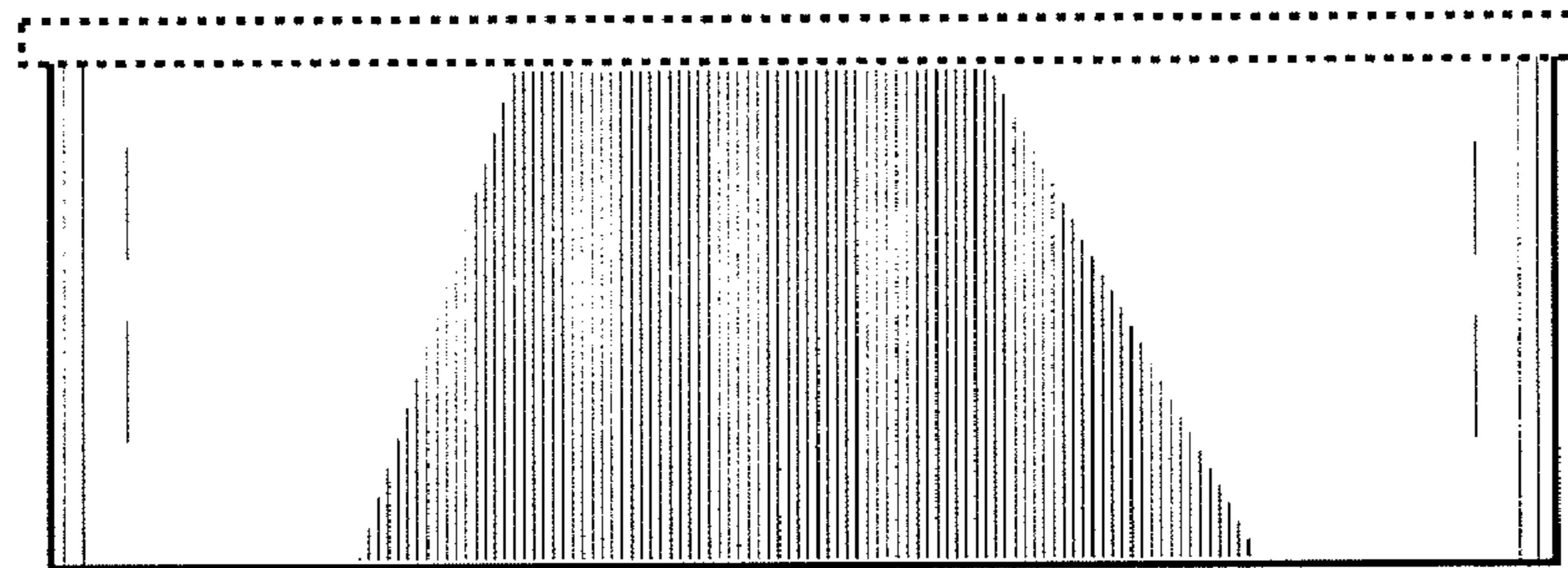


Figure 6

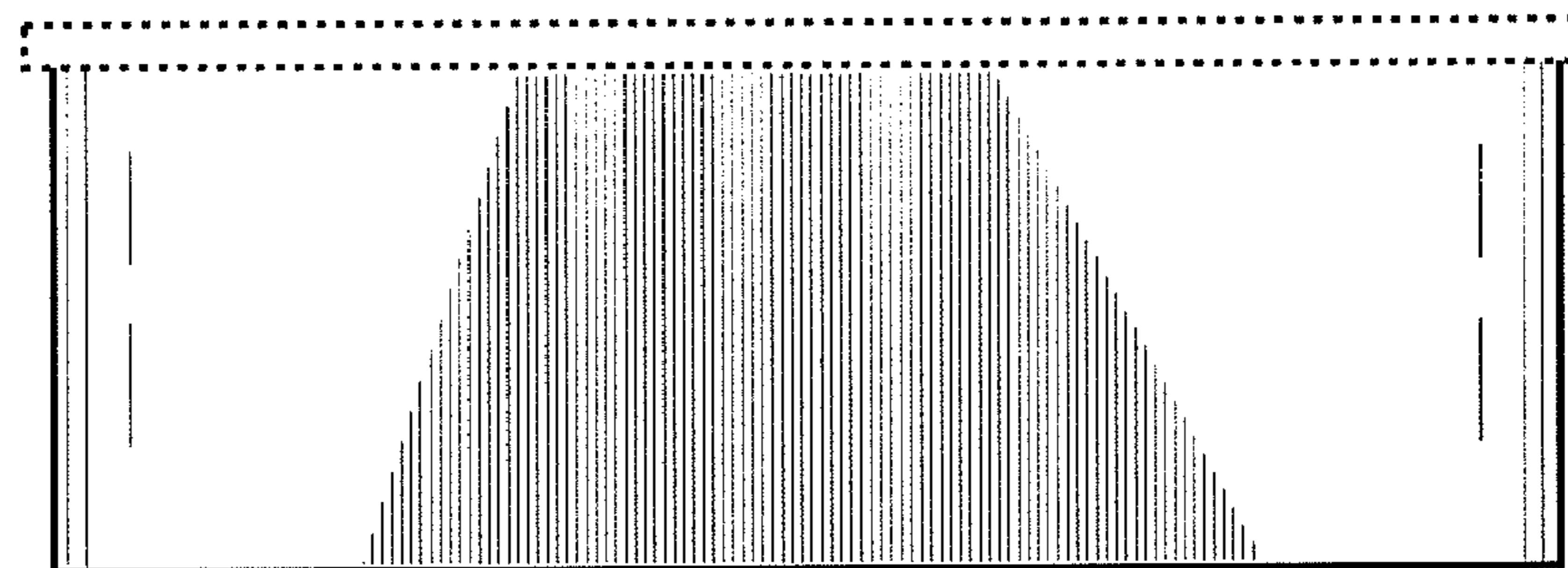


Figure 7