



US00D639118S

(12) **United States Design Patent**  
**Huang**

(10) **Patent No.:** **US D639,118 S**  
(45) **Date of Patent:** **\*\* Jun. 7, 2011**

(54) **HOLDER FOR A FLEXIBLE CONTAINER**

FOREIGN PATENT DOCUMENTS

(76) Inventor: **Yvonne Huang**, Rancho Palos Verdes,  
CA (US)

EP 1145983 A2 10/2001  
(Continued)

(\*\*) Term: **14 Years**

OTHER PUBLICATIONS

(21) Appl. No.: **29/381,333**

Squeeze-Free Juice Box Holder, Description and How It Works,  
available at <http://www.squeeze-free.com> (last visited Jun. 18, 2007).

(22) Filed: **Dec. 17, 2010**

*Primary Examiner* — Terry Wallace

**Related U.S. Application Data**

(74) *Attorney, Agent, or Firm* — Knobbe, Martens, Olson &  
Bear, LLP

(63) Continuation of application No. 11/766,058, filed on  
Jun. 20, 2007, now abandoned.

(51) **LOC (9) Cl.** ..... **07-01**

(57) **CLAIM**

The ornamental design for a holder for a flexible container, as  
shown and described.

(52) **U.S. Cl.** ..... **D7/624.2**

(58) **Field of Classification Search** ..... D7/619.1–625,  
D7/538, 701–708; 220/737, 739, 669, 772,  
220/752, 23.83, 902, 903, 835; 215/392,  
215/393, 395; D9/444, 455

**DESCRIPTION**

See application file for complete search history.

FIG. 1 is a perspective view of a holder for a flexible con-  
tainer;

FIG. 2 is a top perspective view of the holder for a flexible  
container of FIG. 1;

FIG. 3 is a front elevation view of the holder for a flexible  
container of FIG. 1, the back of the holder being substantially  
a mirror image of the front;

FIG. 4 is a left elevation view of the holder for a flexible  
container of FIG. 1, the right side of the holder being substan-  
tially a mirror image of the left side;

FIG. 5 is a top plan view of the holder for a flexible container  
of FIG. 1;

FIG. 6 is a bottom plan view of the holder for a flexible  
container of FIG. 1; and,

FIG. 7 is a bottom plan view of a second embodiment of the  
holder for a flexible container of FIG. 1, the only difference  
being the bottom of the second embodiment does not include  
an opening, it being understood that all other surfaces are the  
same as those of the first embodiment.

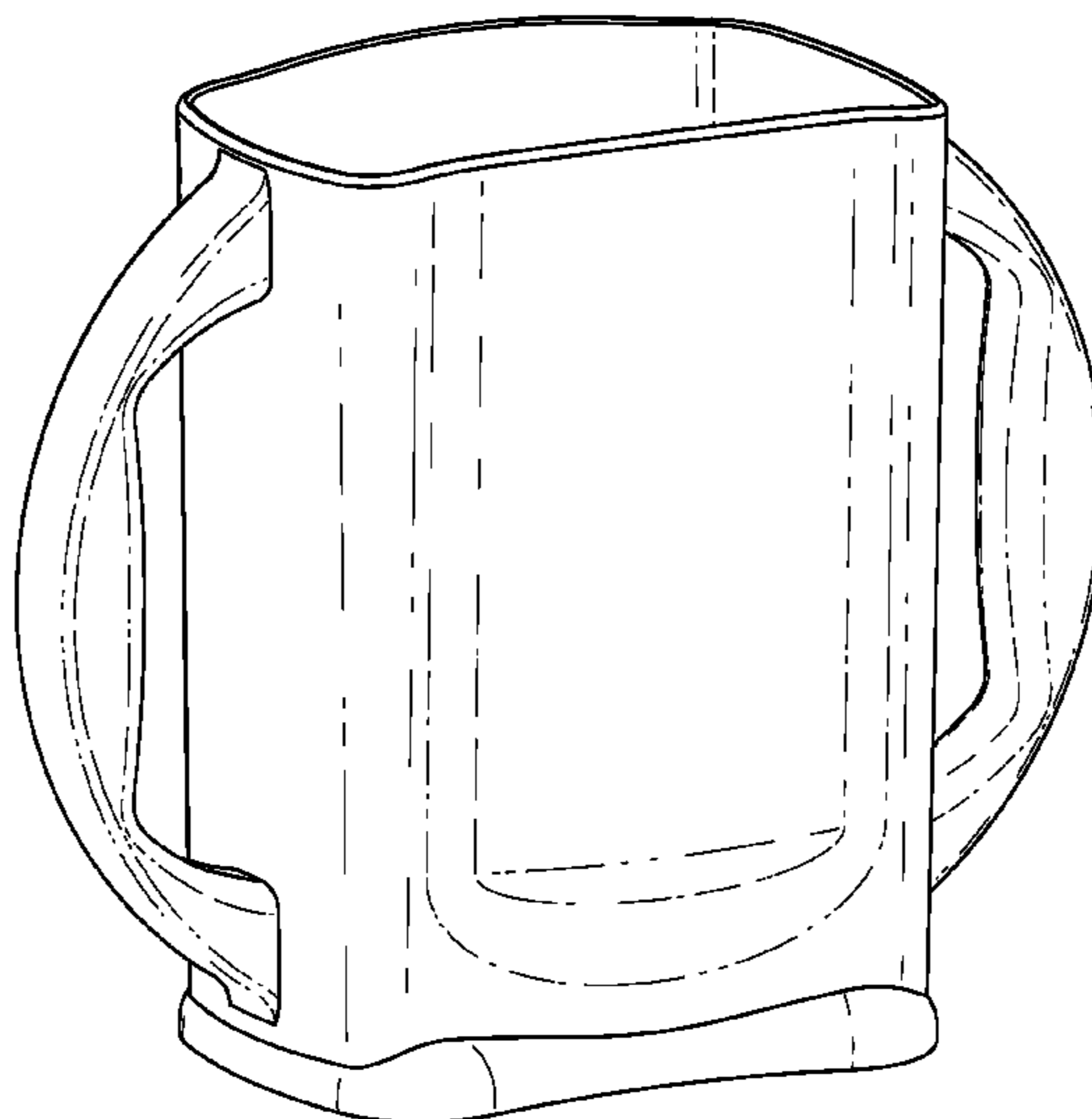
(56) **References Cited**

U.S. PATENT DOCUMENTS

2,868,411	A	1/1959	Kesselman	
2,932,423	A	4/1960	Baumgartner	
3,373,897	A	3/1968	Haines	
4,148,418	A	4/1979	Ewing et al.	
4,293,015	A	10/1981	McGough	
D282,234	S *	1/1986	Henderson	D7/608
4,974,744	A	12/1990	Shanklin et al.	
4,986,435	A *	1/1991	Wright	220/737
4,989,743	A	2/1991	Lowery	
D318,017	S *	7/1991	Patterson	D9/455
D319,019	S *	8/1991	Shanklin et al.	D7/619.1
D320,941	S	10/1991	Lyon	
5,052,575	A	10/1991	Ravreby	
D323,620	S *	2/1992	Patterson	D9/455
5,105,976	A	4/1992	Patterson	

(Continued)

**1 Claim, 6 Drawing Sheets**



# US D639,118 S

Page 2

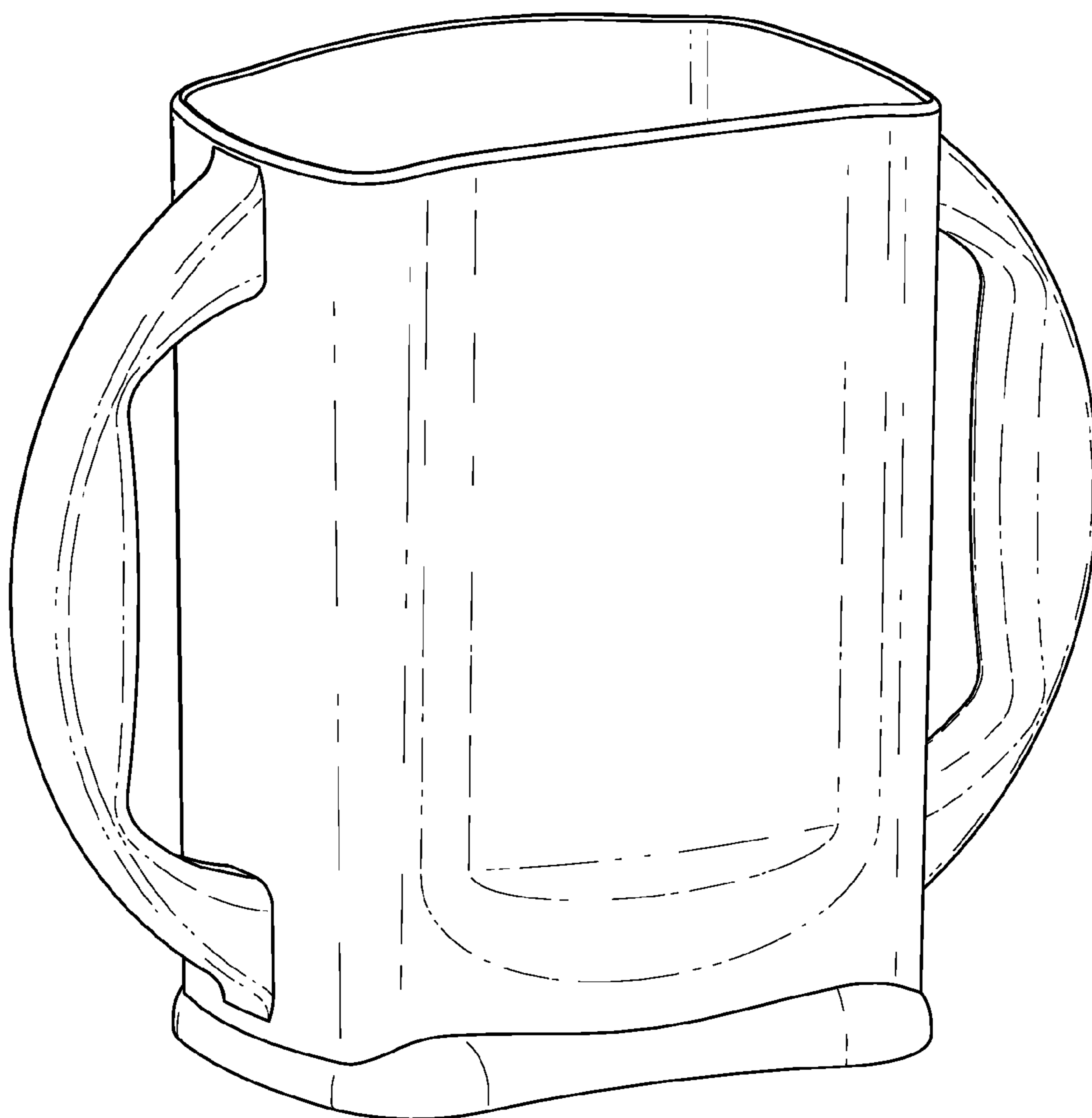
## U.S. PATENT DOCUMENTS

5,141,121 A 8/1992 Brown et al.  
D329,357 S 9/1992 Lebensfeld  
5,150,811 A 9/1992 Kelston  
D330,674 S 11/1992 Lyon  
D331,685 S \* 12/1992 Hetherington et al. .... D7/619.1  
5,169,026 A 12/1992 Patterson  
5,180,088 A 1/1993 de Angeli  
5,292,021 A 3/1994 Lyon  
5,579,949 A 12/1996 Dykes et al.  
5,626,255 A 5/1997 Myers  
5,645,196 A 7/1997 Hancuff  
5,687,874 A 11/1997 Omori et al.  
5,799,820 A 9/1998 Maas  
D408,226 S \* 4/1999 Hollinger ..... D7/622

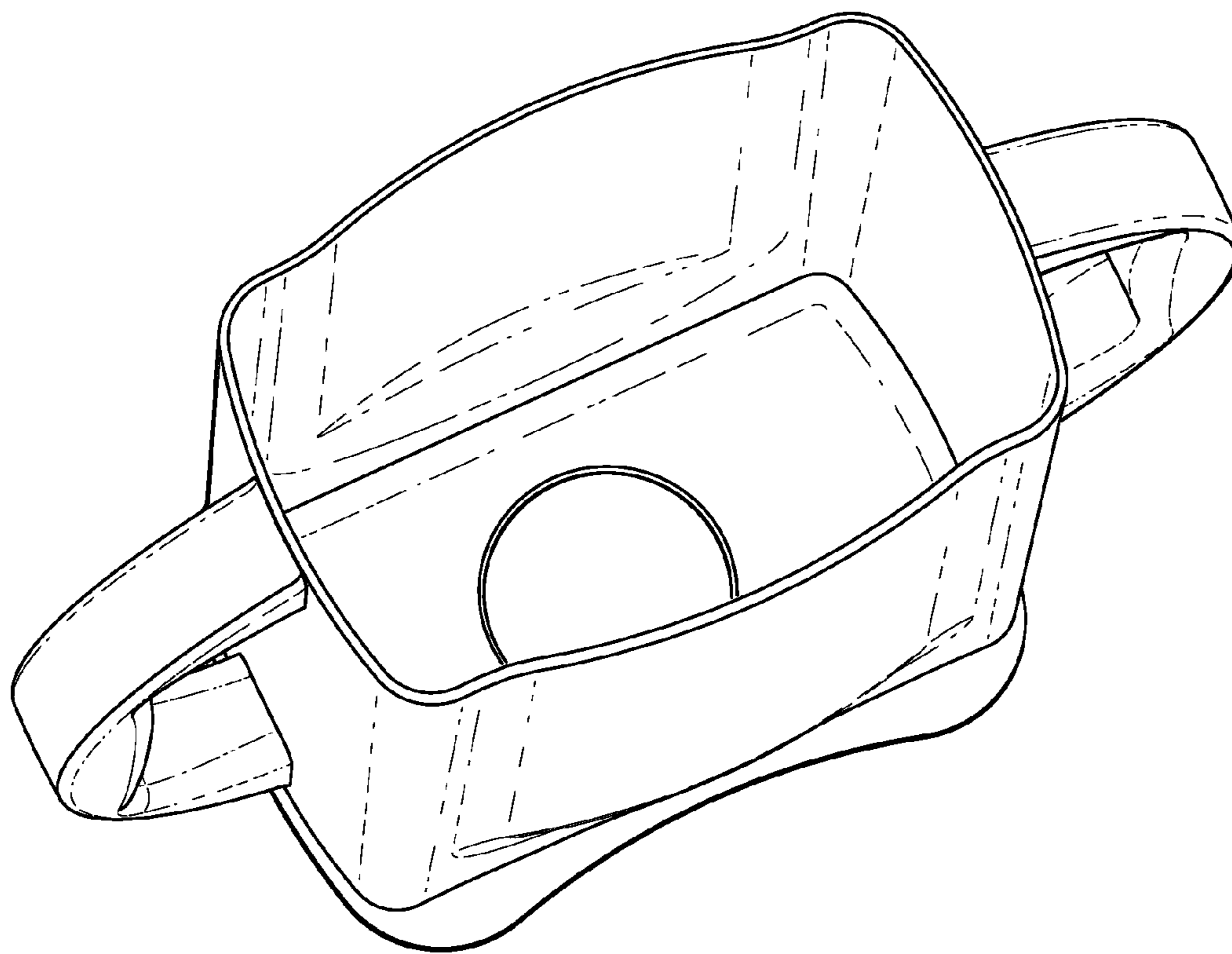
5,950,857 A 9/1999 Rosen  
5,971,184 A 10/1999 Krishnakumar et al.  
6,244,461 B1 6/2001 Roberts et al.  
6,516,967 B2 2/2003 Duff et al.  
6,622,892 B2 9/2003 Vance  
6,651,845 B1 11/2003 Schroeder  
7,086,556 B1 8/2006 Trulove-Cranor  
7,219,814 B2 5/2007 Lown et al.  
7,527,310 B2 \* 5/2009 Shaskey, Sr. .... 215/396  
D595,995 S \* 7/2009 Walton ..... D7/624.1  
2007/0158508 A1 7/2007 Waite

## FOREIGN PATENT DOCUMENTS

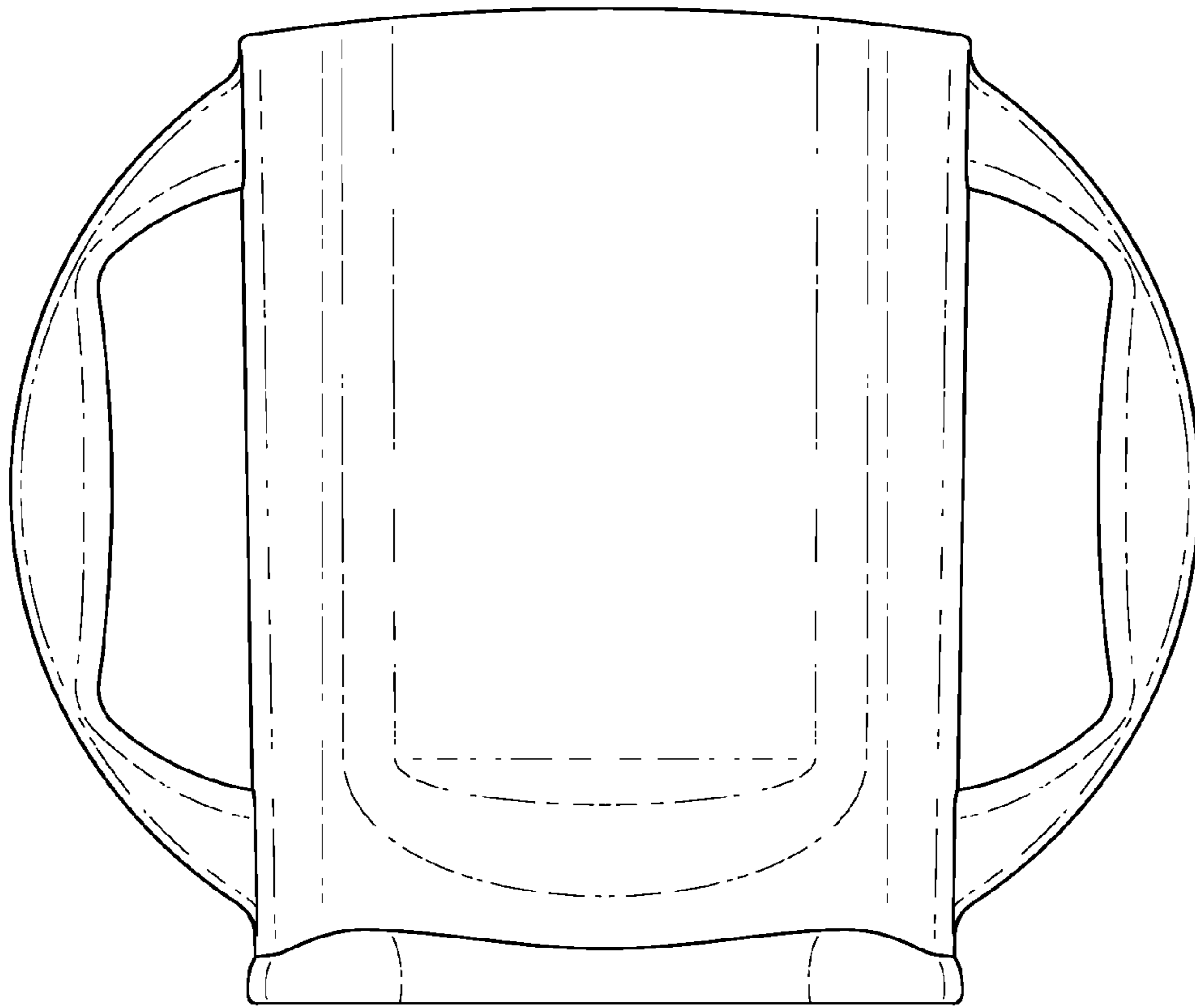
WO WO 2005/070267 8/2005  
\* cited by examiner



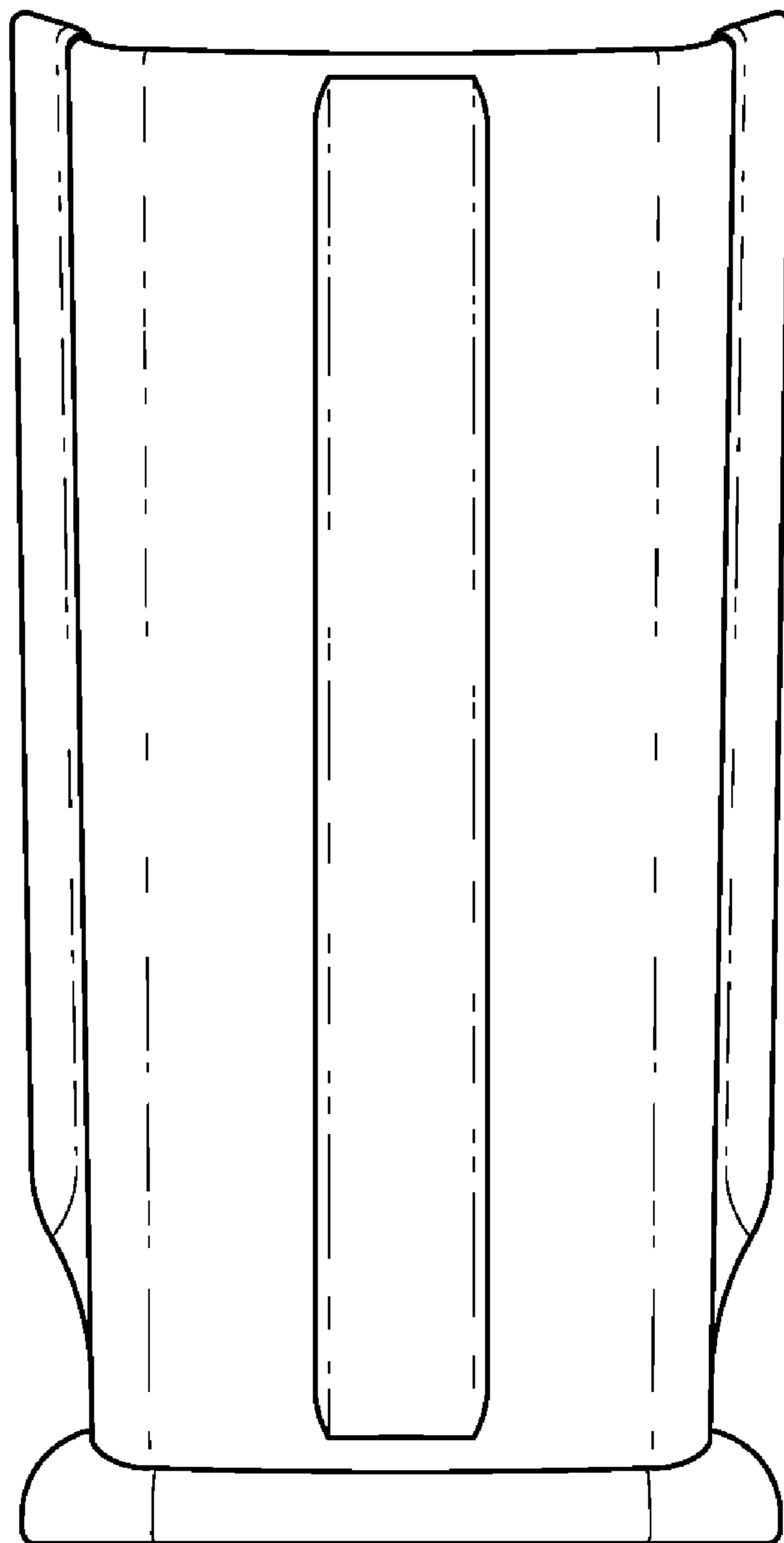
*FIG. 1*



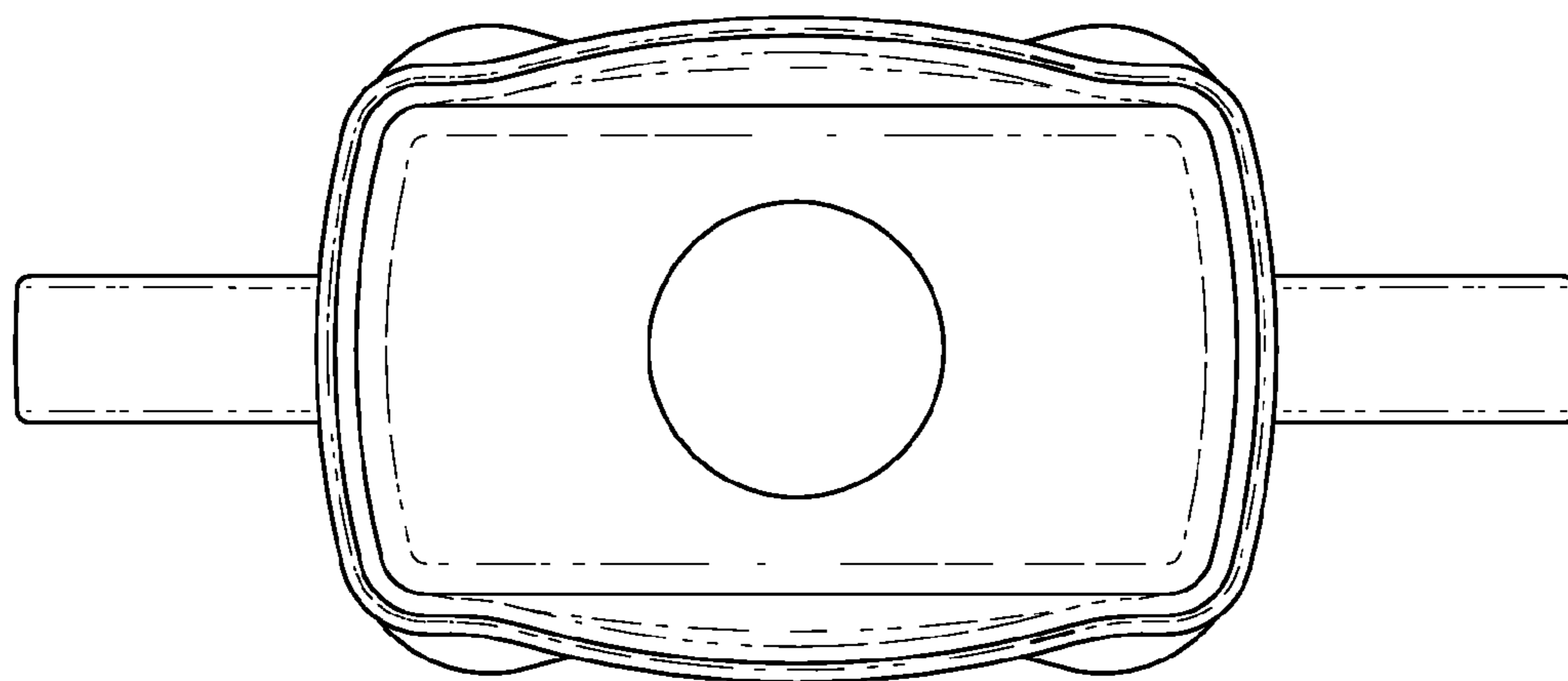
*FIG. 2*



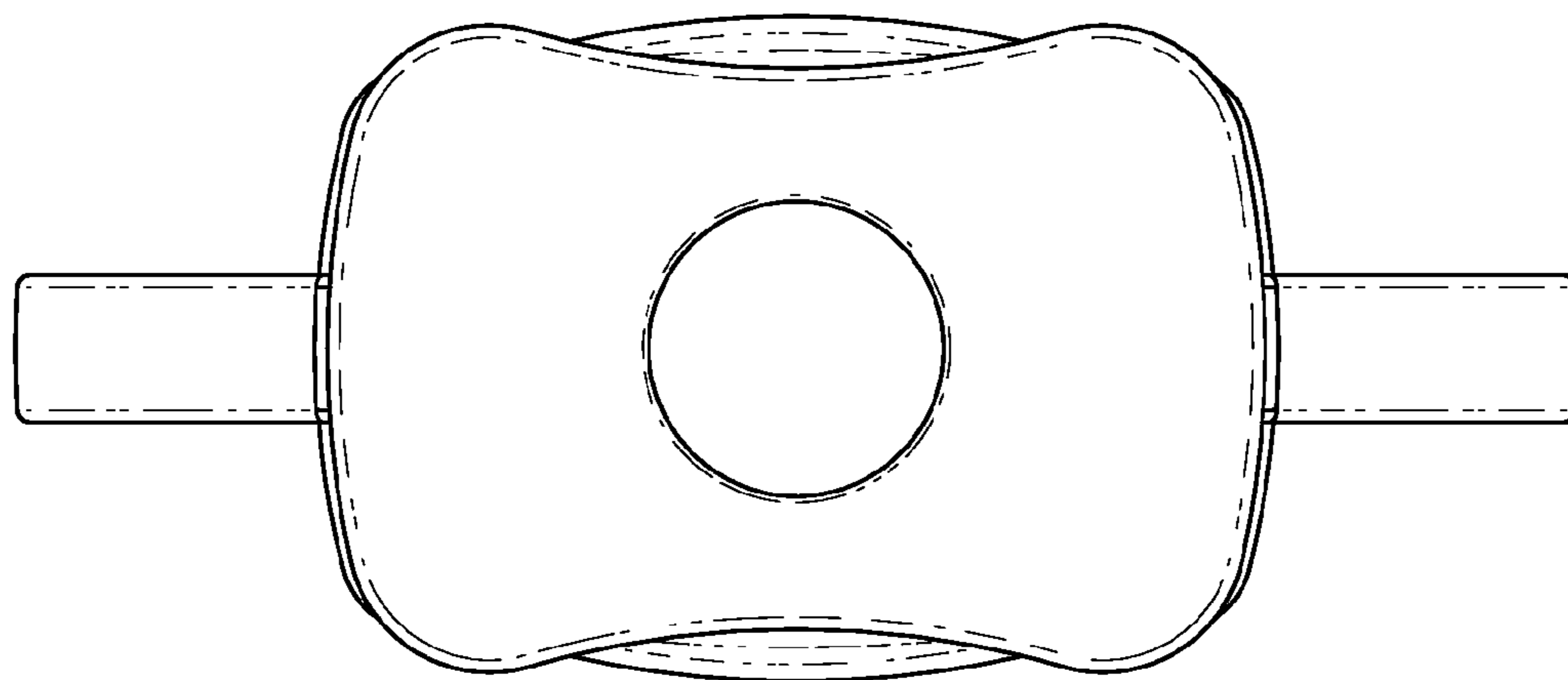
*FIG. 3*



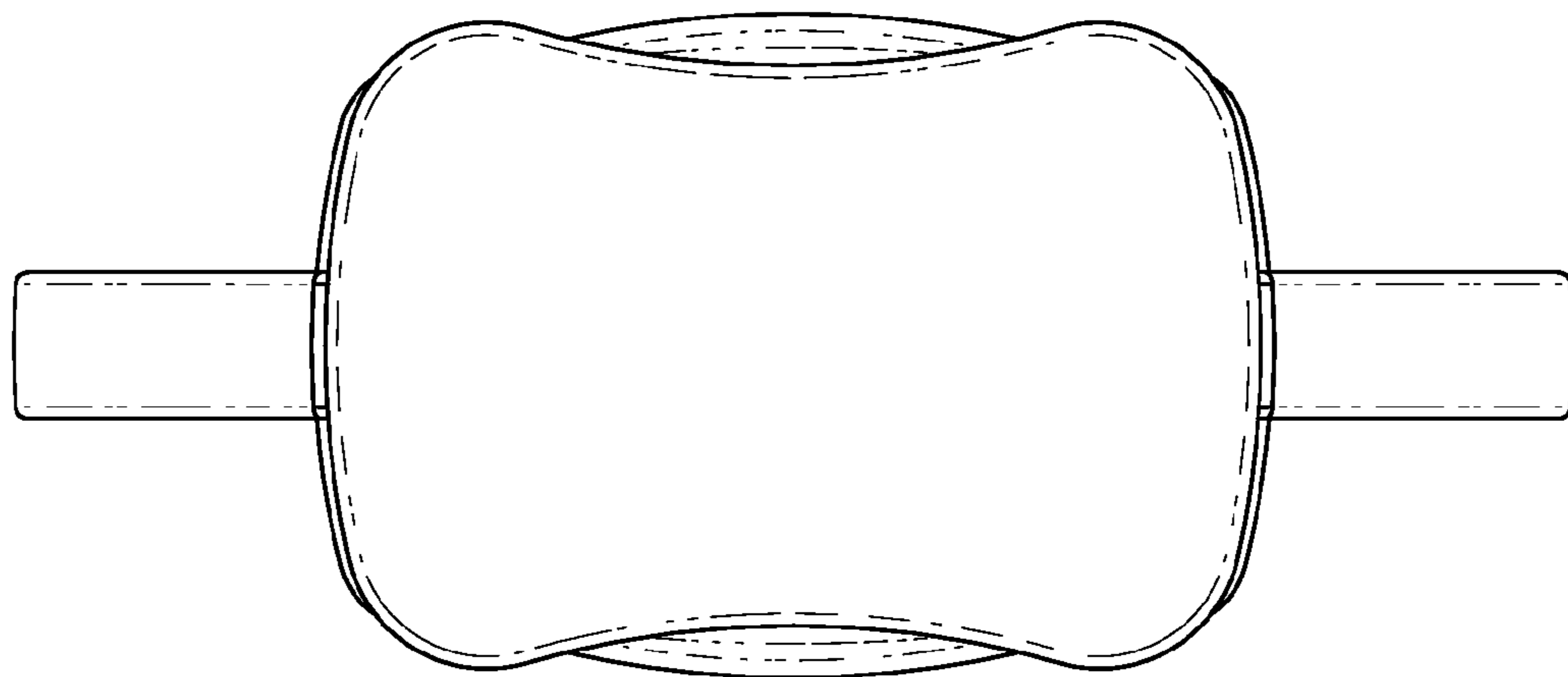
*FIG. 4*



*FIG. 5*



*FIG. 6*



*FIG. 7*