



US00D639117S

(12) **United States Design Patent**
Jonsson

(10) **Patent No.:** **US D639,117 S**

(45) **Date of Patent:** **** *Jun. 7, 2011**

(54) **FLOATING HOLDER FOR A BEVERAGE CONTAINER**

(76) Inventor: **Ryan M. Jonsson**, Carlsbad, CA (US)

(**) Term: **14 Years**

(21) Appl. No.: **29/330,132**

(22) Filed: **Dec. 30, 2008**

(51) **LOC (9) Cl.** **07-06**

(52) **U.S. Cl.** **D7/624.2**

(58) **Field of Classification Search** D7/590,
D7/601-602, 606-608, 619.1, 619.2, 622,
D7/624.1, 624.2, 625, 628, 388, 396.1, 396.2;
D9/455; 220/560, 694, 703, 732, 737-739,
220/741-742, 903

See application file for complete search history.

(56) **References Cited**

U.S. PATENT DOCUMENTS

3,015,406	A *	1/1962	Nolte	220/560
3,367,525	A	2/1968	Elder		
3,533,529	A	10/1970	Helbig		
3,831,209	A	8/1974	Clingman		
D272,506	S *	2/1984	Steiner	D7/624.1
4,571,194	A	2/1986	Kiss et al.		
4,651,873	A	3/1987	Stolcenberg et al.		
4,887,716	A	12/1989	Abraham		
4,927,041	A	5/1990	Hepburn		
5,088,948	A	2/1992	Scheurer		
5,174,534	A	12/1992	Mitchell		
5,279,452	A	1/1994	Huynh		
5,447,764	A *	9/1995	Langford	428/36.9
5,709,105	A	1/1998	Palermo		
5,727,709	A	3/1998	Nobile		
6,014,833	A	1/2000	Benavidez		

6,016,933	A	1/2000	Daily et al.		
6,029,845	A	2/2000	Mueller		
D440,469	S	4/2001	Krist et al.		
D469,317	S *	1/2003	Doerr	D7/624.2
6,607,090	B1	8/2003	Doerr		
6,616,493	B2	9/2003	Powell et al.		
6,790,112	B2	9/2004	Kirk		
6,991,505	B1	1/2006	Well et al.		
7,195,132	B1	3/2007	Balam		
2004/0040968	A1	3/2004	Visser		
2006/0091141	A1	5/2006	Scott		
2008/0078788	A1	4/2008	Degges		

* cited by examiner

Primary Examiner — Ian Simmons

Assistant Examiner — Dana L Sipos

(74) *Attorney, Agent, or Firm* — Knobbe, Martens, Olson & Bear LLP

(57) **CLAIM**

The ornamental design for a floating holder for a beverage container, as shown and described.

DESCRIPTION

FIG. 1 is a side elevation view of a floating holder for a beverage container showing my new design, the opposing side elevation view being identical; FIG. 2 is a bottom plan view thereof; and, FIG. 3 is a top plan view thereof; and, FIG. 4 is a top perspective view thereof. The broken lines in the drawings illustrate the portions of the design that form no part of the claim. The surfaces with no applied surface shading are not included in the claimed design.

1 Claim, 4 Drawing Sheets

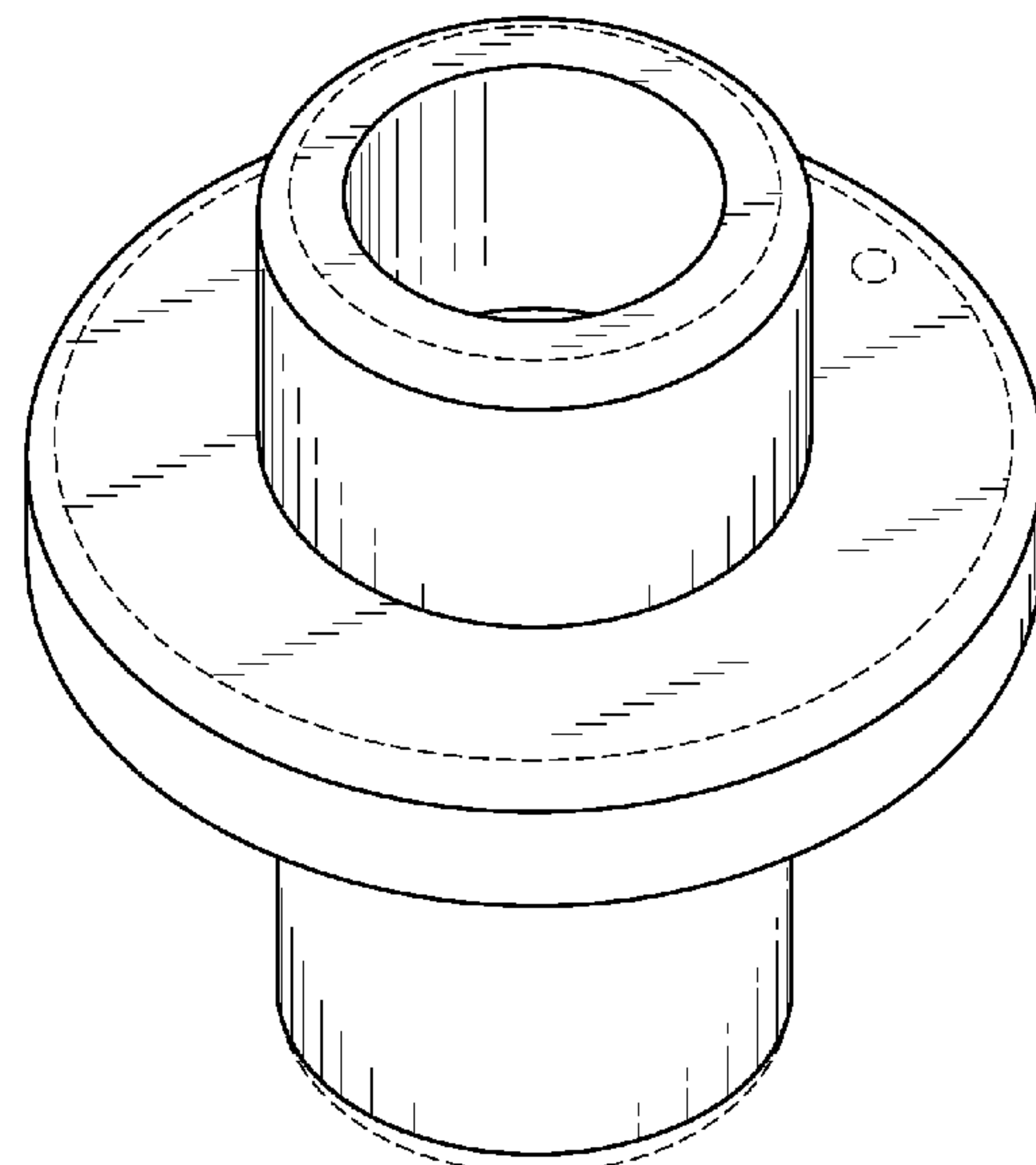
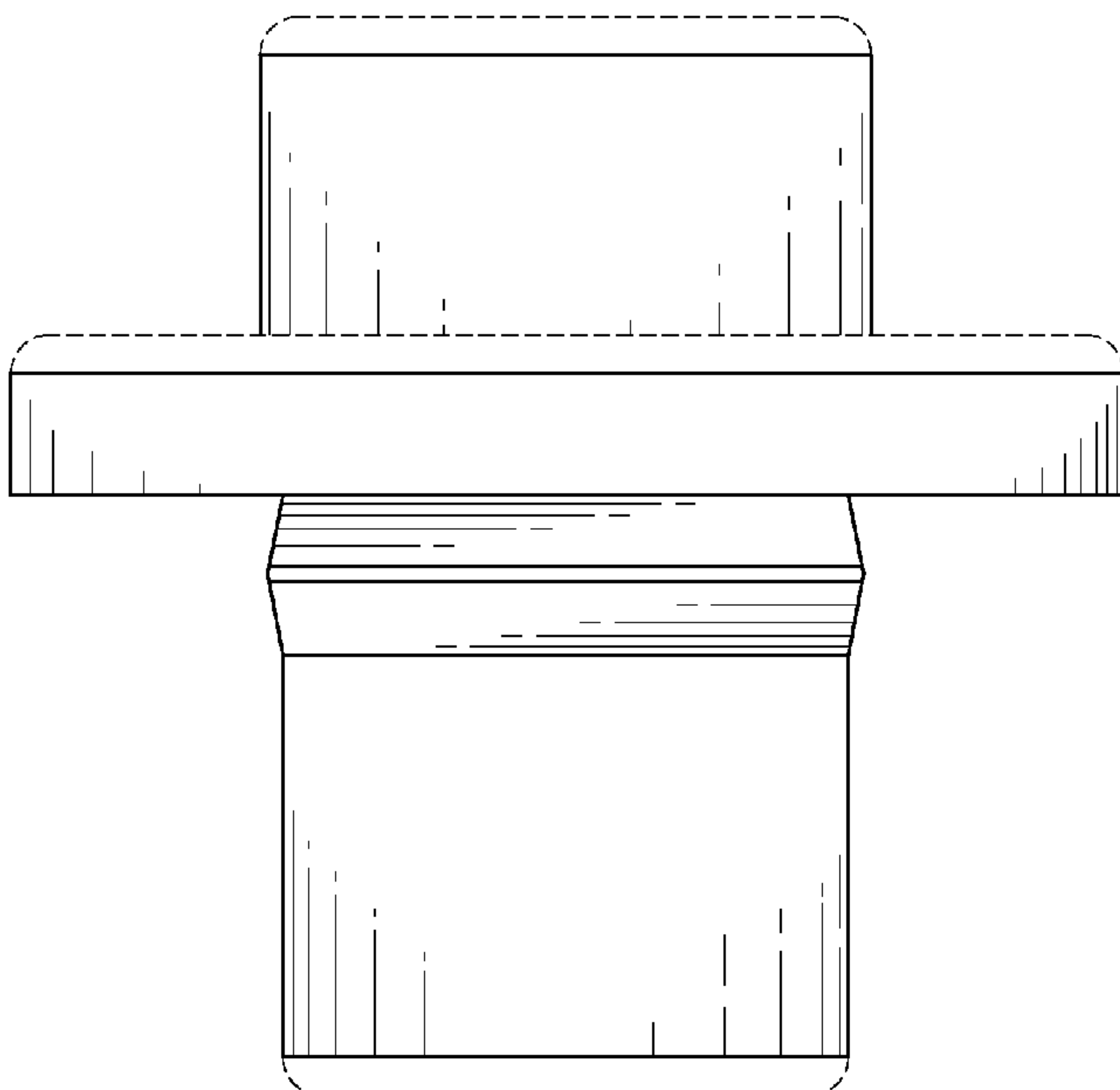


FIG. 1

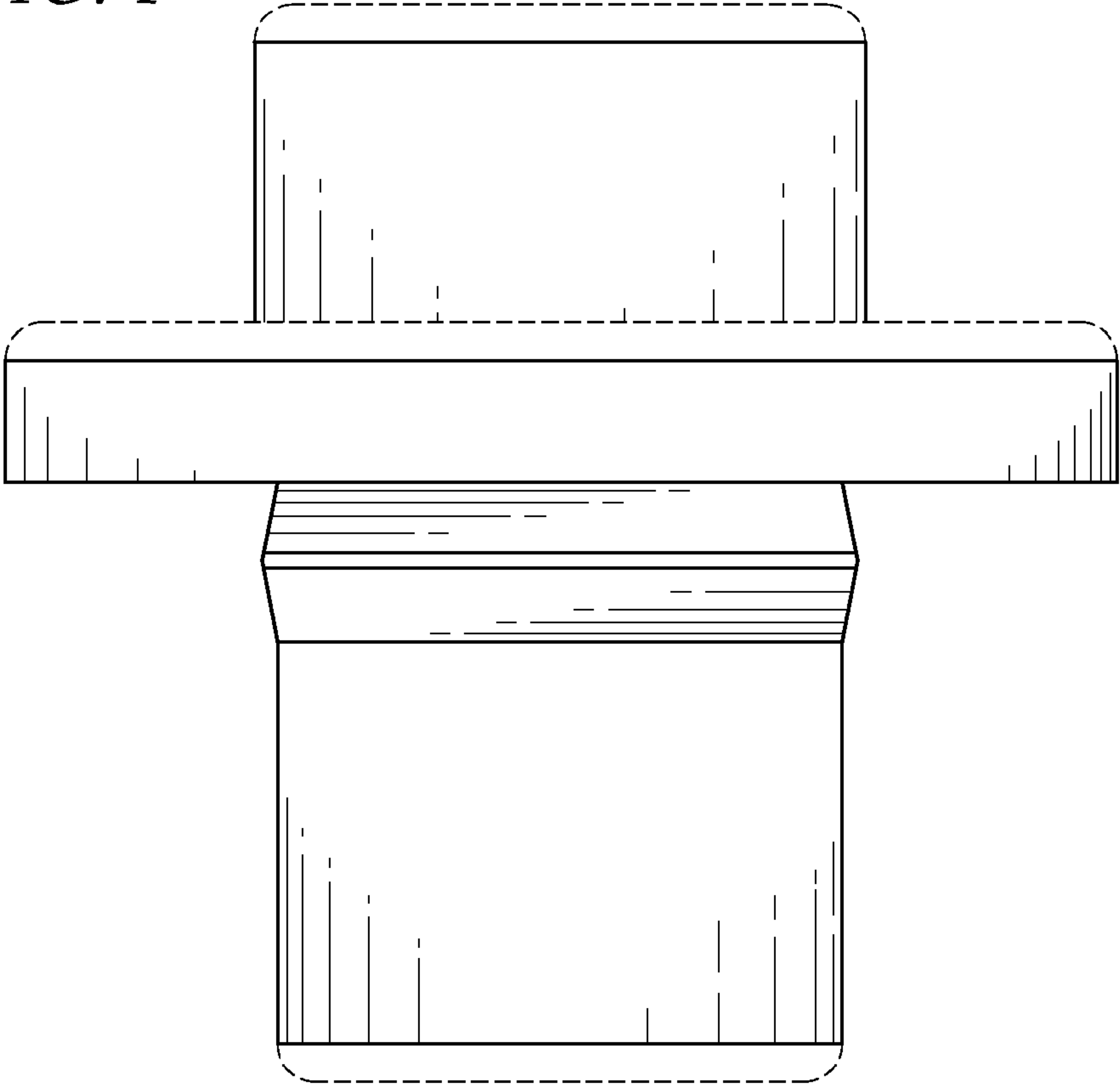


FIG. 2

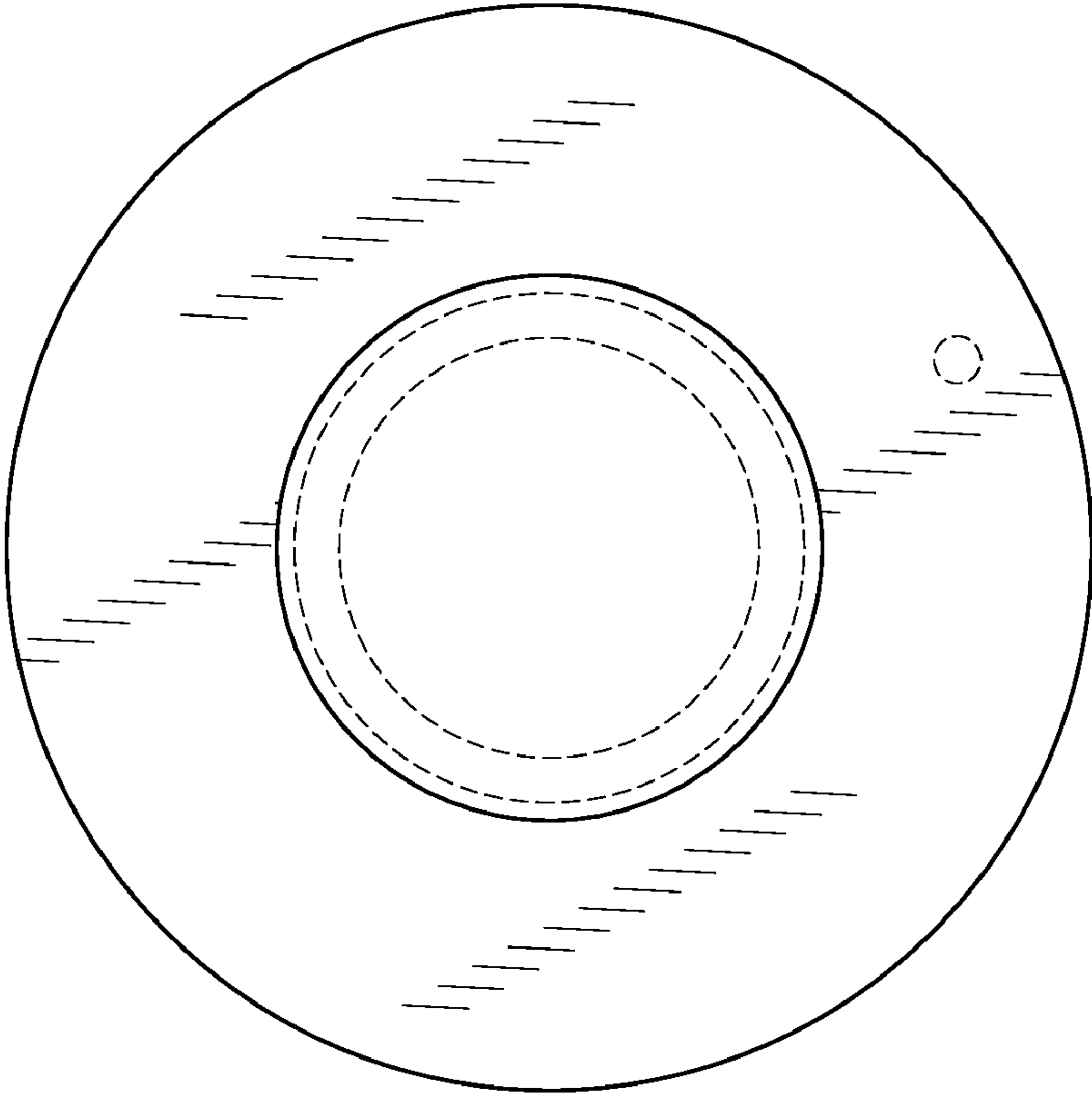


FIG. 3

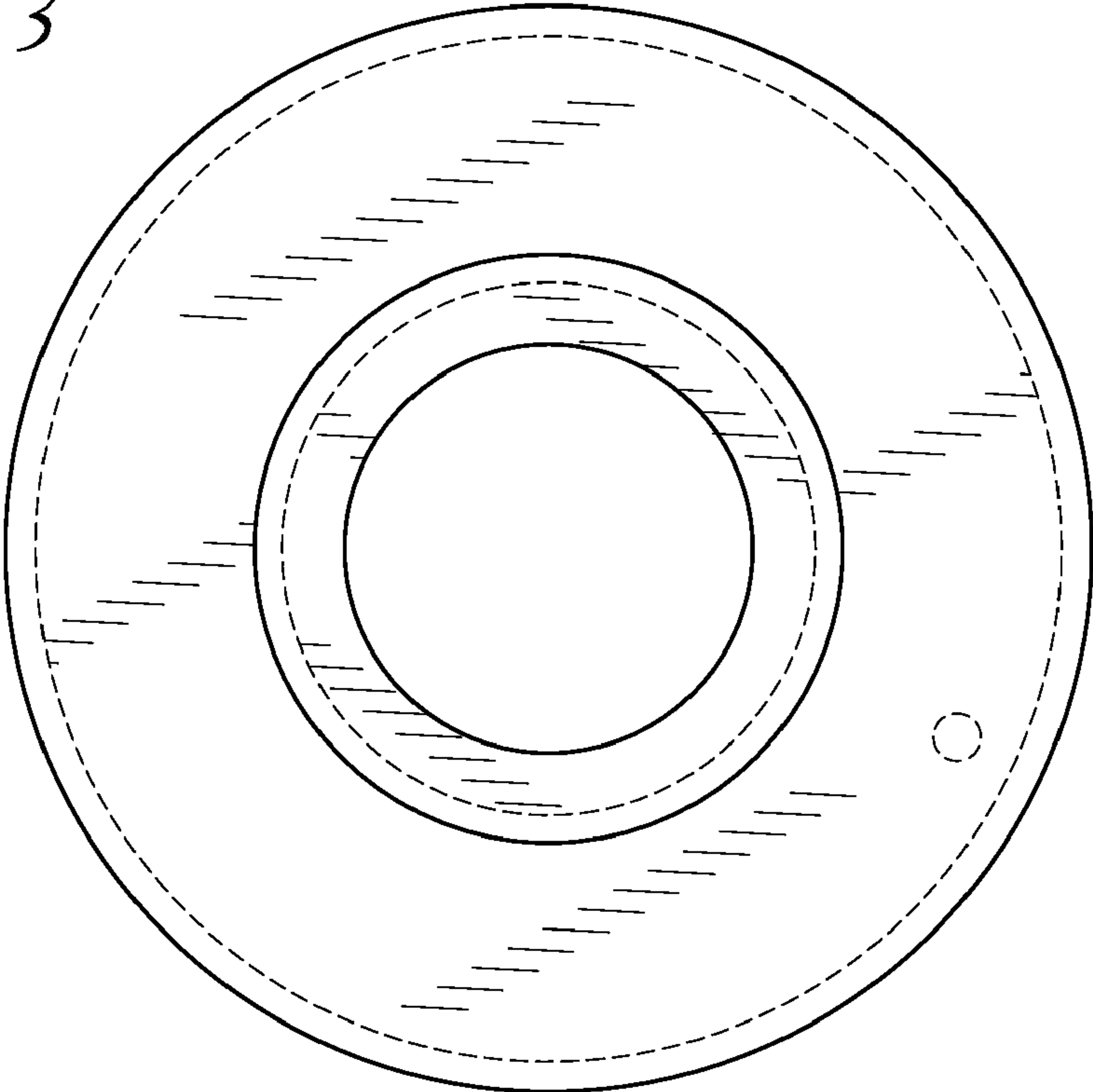


FIG. 4

