



US00D639112S

(12) **United States Design Patent**  
**Johnston**

(10) **Patent No.:** **US D639,112 S**  
(45) **Date of Patent:** **\*\* Jun. 7, 2011**

(54) **COOKING GRATE**

(75) Inventor: **Robert L. Johnston**, Columbus, GA  
(US)

(73) Assignee: **W. C. Bradley Co.**, Columbus, GA (US)

(\*\*) Term: **14 Years**

(21) Appl. No.: **29/364,893**

(22) Filed: **Jun. 30, 2010**

(51) **LOC (9) Cl.** ..... **07-02**

(52) **U.S. Cl.** ..... **D7/408; D7/409; D7/359**

(58) **Field of Classification Search** ..... D7/323,  
D7/332, 334, 338, 352-361, 393-395, 402,  
D7/407-410, 456, 688, 391, 667; 220/369;  
99/349, 396, 400, 422, 425-426, 444-446,  
99/449-450, 430; 126/1 R, 9 A, 9 B, 25 R,  
126/39 N, 39 K, 41 R, 332; 206/426, 587  
See application file for complete search history.

(56) **References Cited**

U.S. PATENT DOCUMENTS

D229,532 S *	12/1973	Colato et al.	.....	D7/409
D285,281 S *	8/1986	Sable, II	.....	D7/363
D286,129 S *	10/1986	Bowen et al.	.....	D7/402
D340,835 S *	11/1993	Lupa et al.	.....	D7/402
D344,434 S *	2/1994	Endara	.....	D7/402
D363,410 S *	10/1995	Hazen	.....	D7/359
6,481,343 B1 *	11/2002	Rigney et al.	.....	99/396

D498,387 S *	11/2004	Hojnoski	.....	D7/402
D519,781 S *	5/2006	Carlson	.....	D7/409
7,340,994 B2 *	3/2008	Bruno et al.	.....	99/450
D579,719 S *	11/2008	King et al.	.....	D7/409
D581,207 S *	11/2008	Leavens et al.	.....	D7/359
D588,399 S *	3/2009	Vrbaneck	.....	D7/359
D608,146 S *	1/2010	Zemel	.....	D7/409
2007/0125357 A1	6/2007	Johnston		

\* cited by examiner

*Primary Examiner* — T. Chase Nelson

*Assistant Examiner* — Mark Cavanna

(74) *Attorney, Agent, or Firm* — Fellers, Snider,  
Blankenship, Bailey & Tippens, P.C.

(57) **CLAIM**

The ornamental design for a cooking grate, as shown and described.

**DESCRIPTION**

FIG. 1 is front elevational view, the rear elevation view being identical thereto.

FIG. 2 is a top plan view.

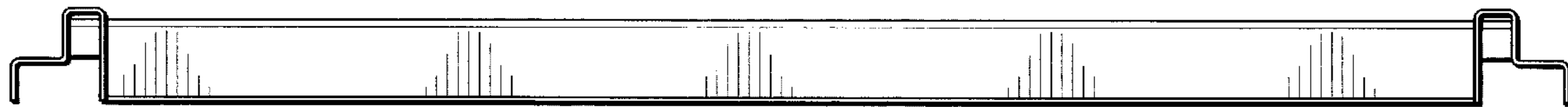
FIG. 3 is a right side elevational view, the left side elevational view being identical thereto.

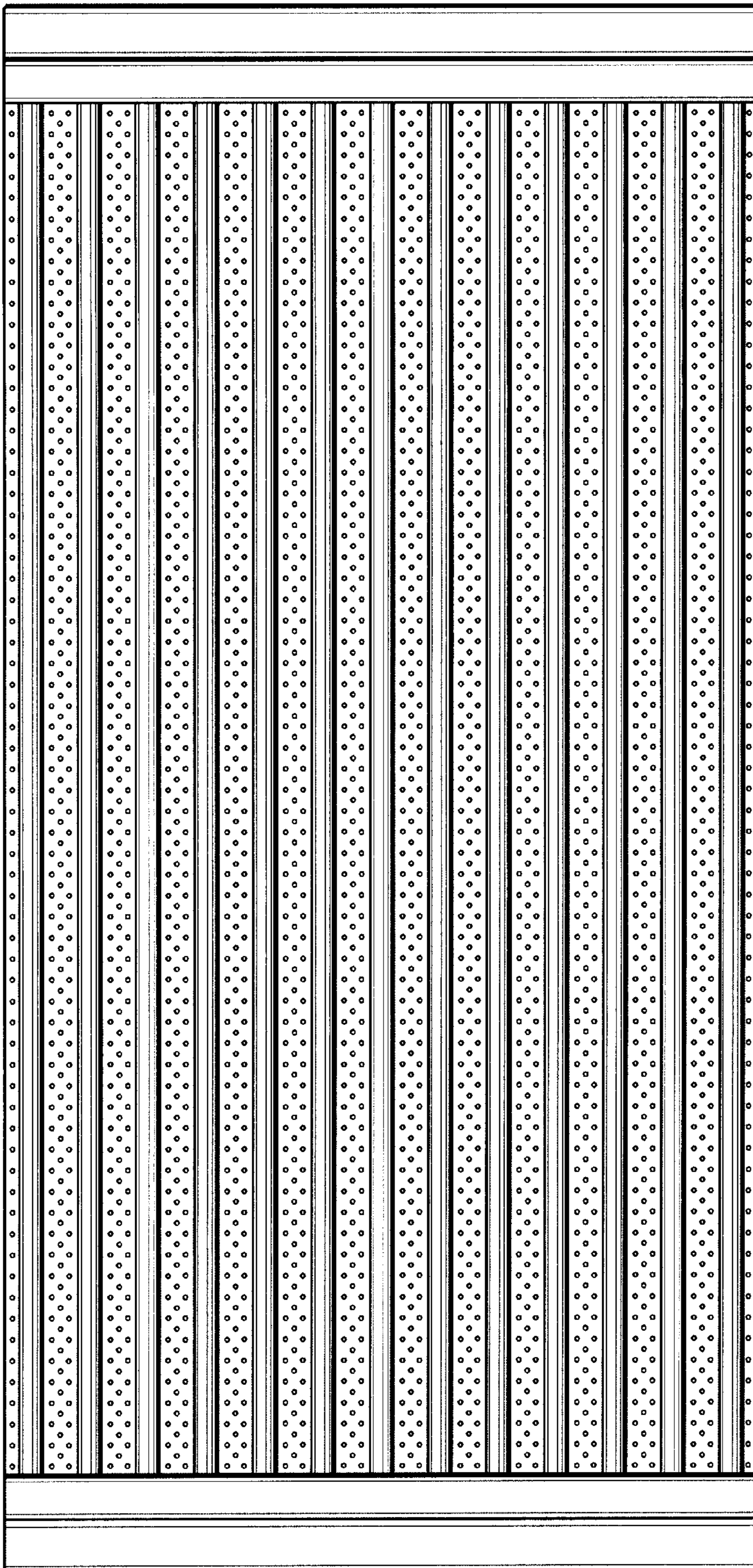
FIG. 4 is a bottom plan view; and,

FIG. 5 is a perspective view, showing the front, right side, and top.

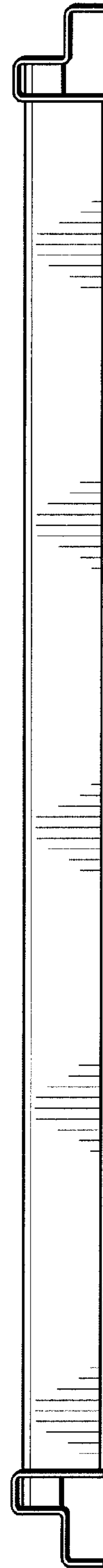
The broken lines are included for the purpose of illustrating portions of the cooking grate that forms no part of the claimed design.

**1 Claim, 3 Drawing Sheets**

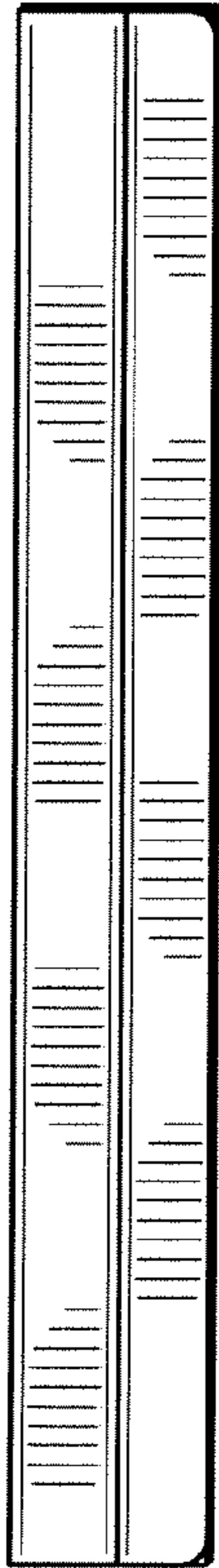




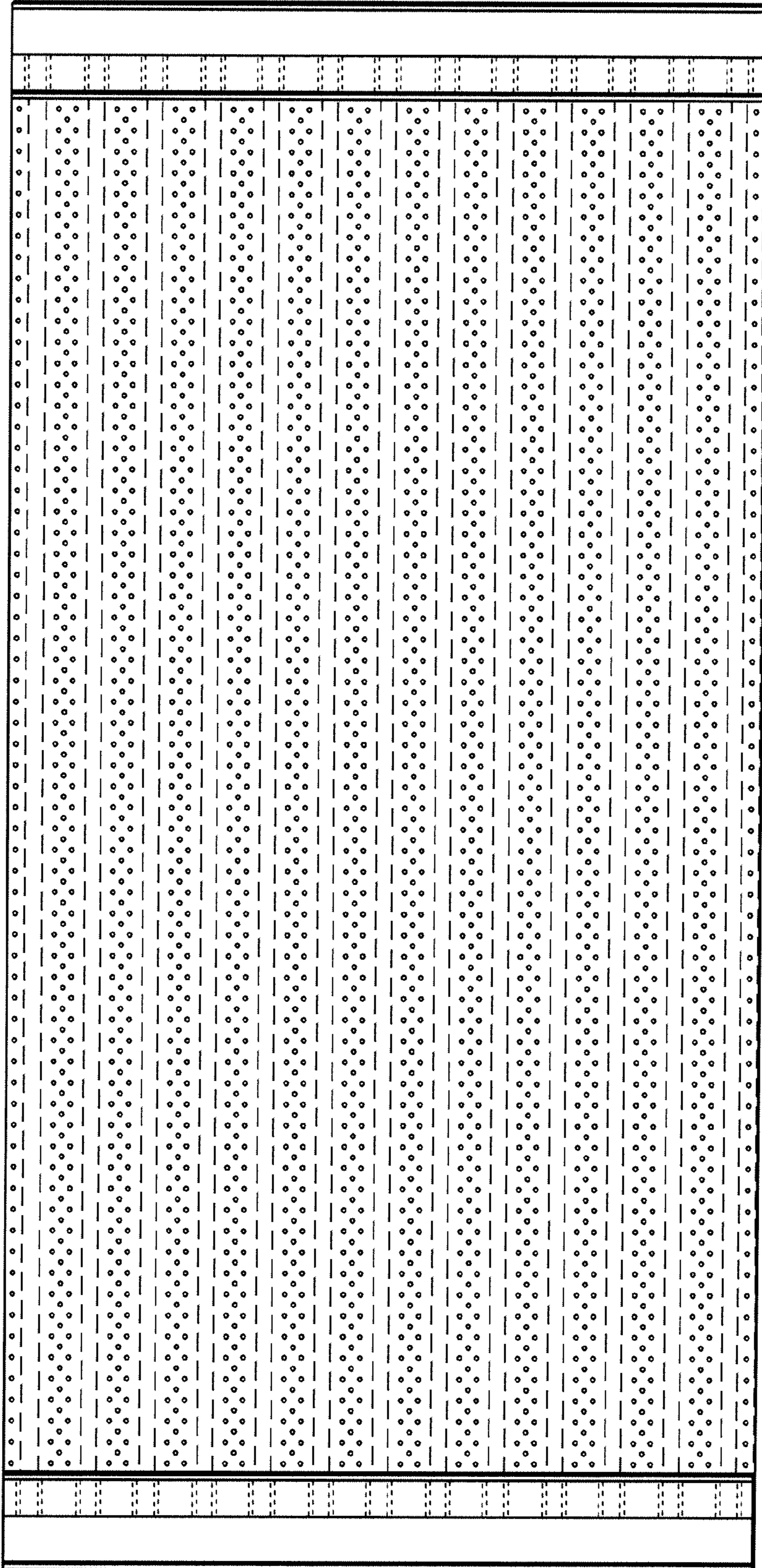
*Fig. 2*



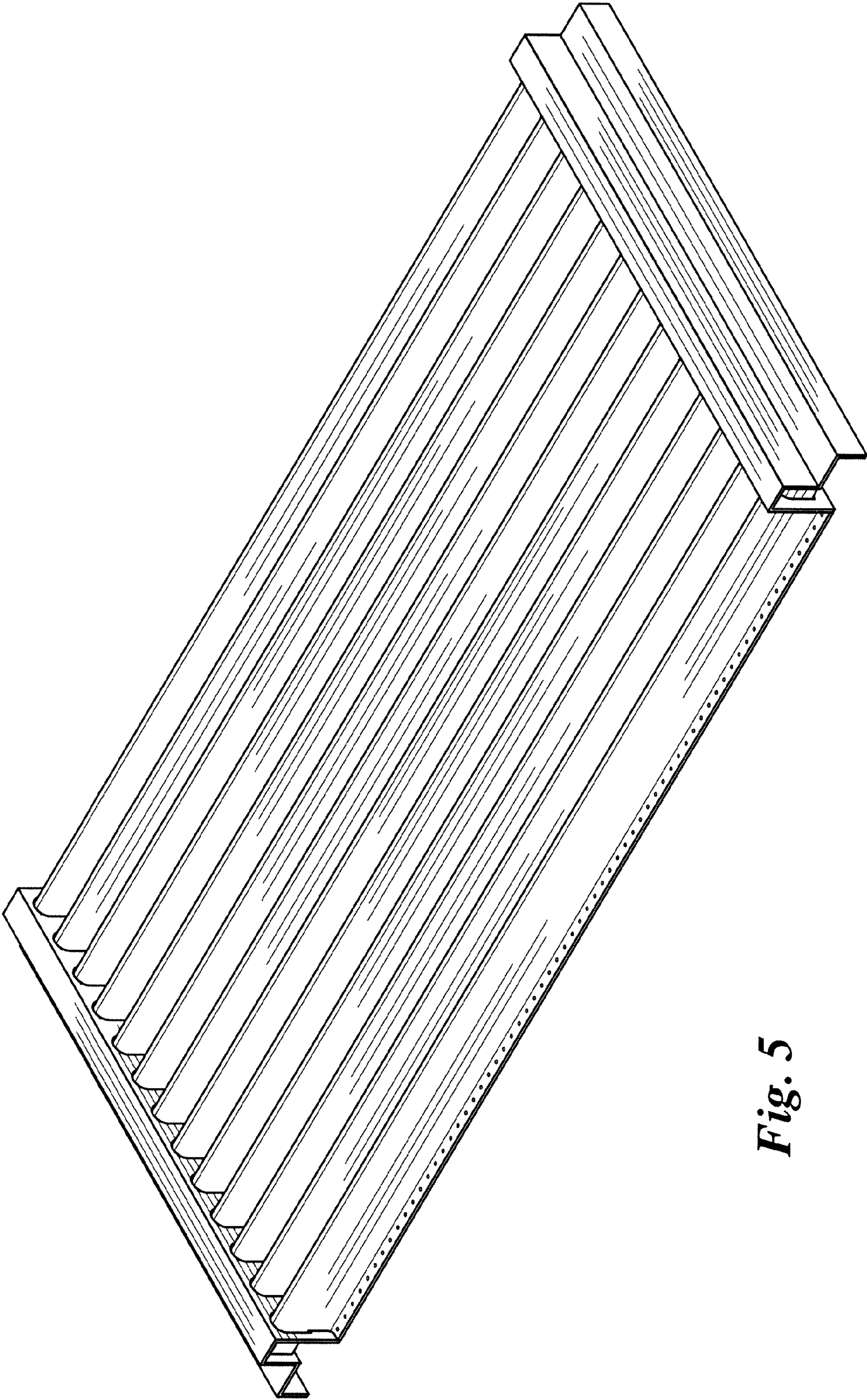
*Fig. 1*



*Fig. 3*



*Fig. 4*



*Fig. 5*