



US00D639110S

(12) **United States Design Patent**
Biondi

(10) **Patent No.:** **US D639,110 S**

(45) **Date of Patent:** **** Jun. 7, 2011**

(54) **ELECTRIC GRILL**

(76) Inventor: **Andrea Biondi**, Rimini (IT)

(**) Term: **14 Years**

(21) Appl. No.: **29/367,321**

(22) Filed: **Aug. 5, 2010**

(30) **Foreign Application Priority Data**

Feb. 9, 2010 (EM) 001667494

(51) **LOC (9) Cl.** **07-02**

(52) **U.S. Cl.** **D7/362**

(58) **Field of Classification Search** D7/309,
D7/323, 328-332, 334-341, 347-348, 350.1,
D7/350.4, 351-363; 99/324-327, 331, 339-341,
99/349, 353, 369, 372-377, 385-393, 425,
99/444; 126/30, 41 R; 219/524-525, 620-622,
219/732-734

See application file for complete search history.

(56) **References Cited**

U.S. PATENT DOCUMENTS

1,656,848 A * 1/1928 Wyatt 99/341
1,820,885 A * 8/1931 Le Vine 99/392
2,113,697 A * 4/1938 Lang 99/391
2,131,278 A * 9/1938 Gough 99/385

D149,350 S * 4/1948 Guild D7/328
D190,609 S * 6/1961 Campbell D7/350.4
3,362,393 A * 1/1968 Arnold 126/41 R
D284,258 S * 6/1986 Miller et al. D7/338
D304,147 S * 10/1989 Takada et al. D7/350.4
D336,402 S * 6/1993 Del Fresno D7/330
6,305,273 B1 * 10/2001 Sherman 99/393
6,584,889 B2 * 7/2003 Friel, Sr. 99/327
D568,669 S * 5/2008 Kizilbayir D7/328

* cited by examiner

Primary Examiner — Caron Veynar

Assistant Examiner — Ricky Pham

(74) *Attorney, Agent, or Firm* — Steinfl & Bruno LLP

(57) **CLAIM**

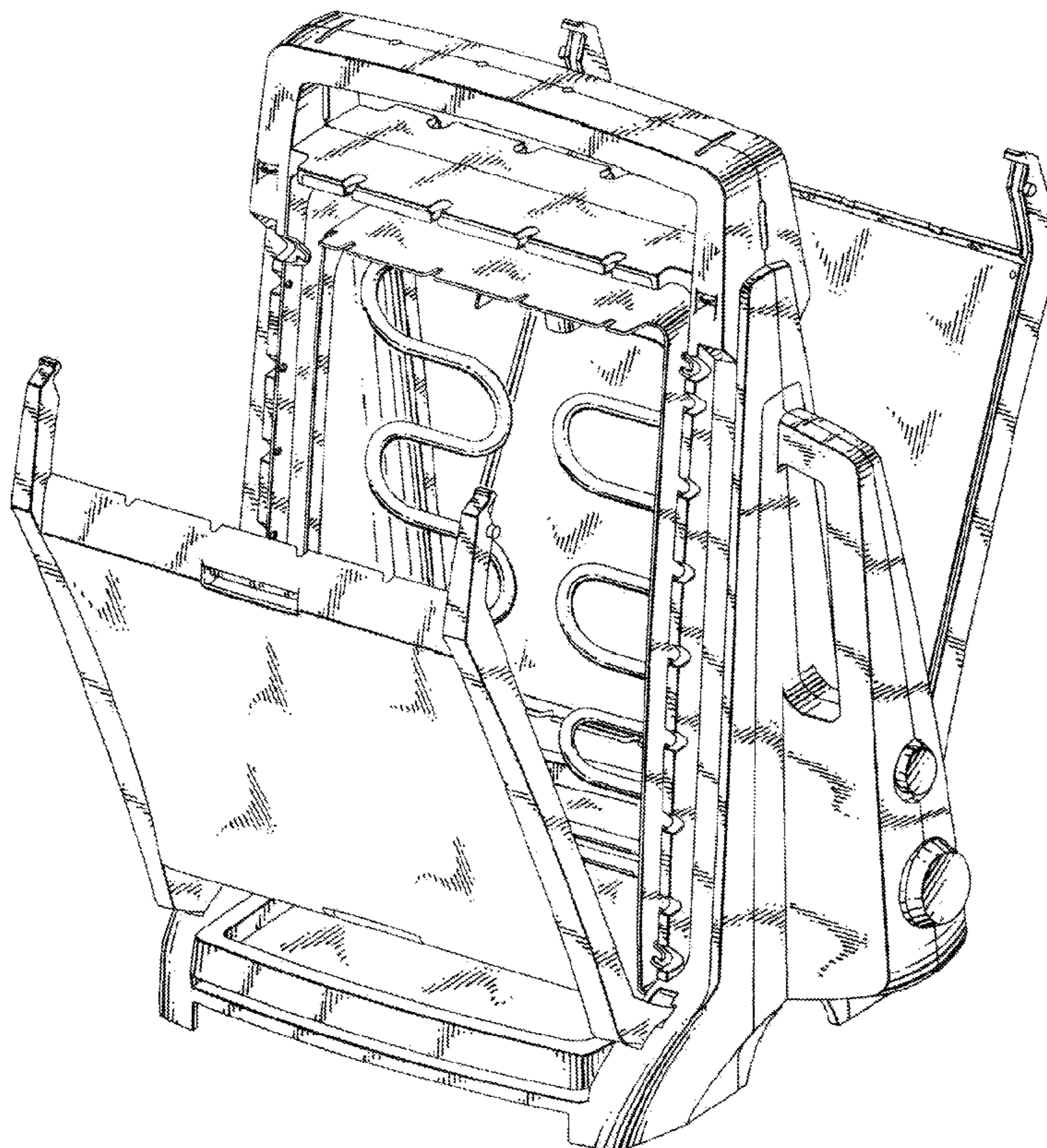
The ornamental design for the electric grill, as shown and described.

DESCRIPTION

FIG. 1 is a front view of the electric grill in an open condition. FIG. 2 is a rear view of the electric grill in an open condition. FIG. 3 is a top view of the electric grill in an open condition. FIG. 4 is a top, front and left side perspective view of the electric grill in an open condition; and, FIG. 5 is a left side view of the electric grill in an open condition; with the right side view being a mirror image thereof.

The broken lines shown in the drawings are for illustrative purposes only and form no part of the claimed design.

1 Claim, 5 Drawing Sheets



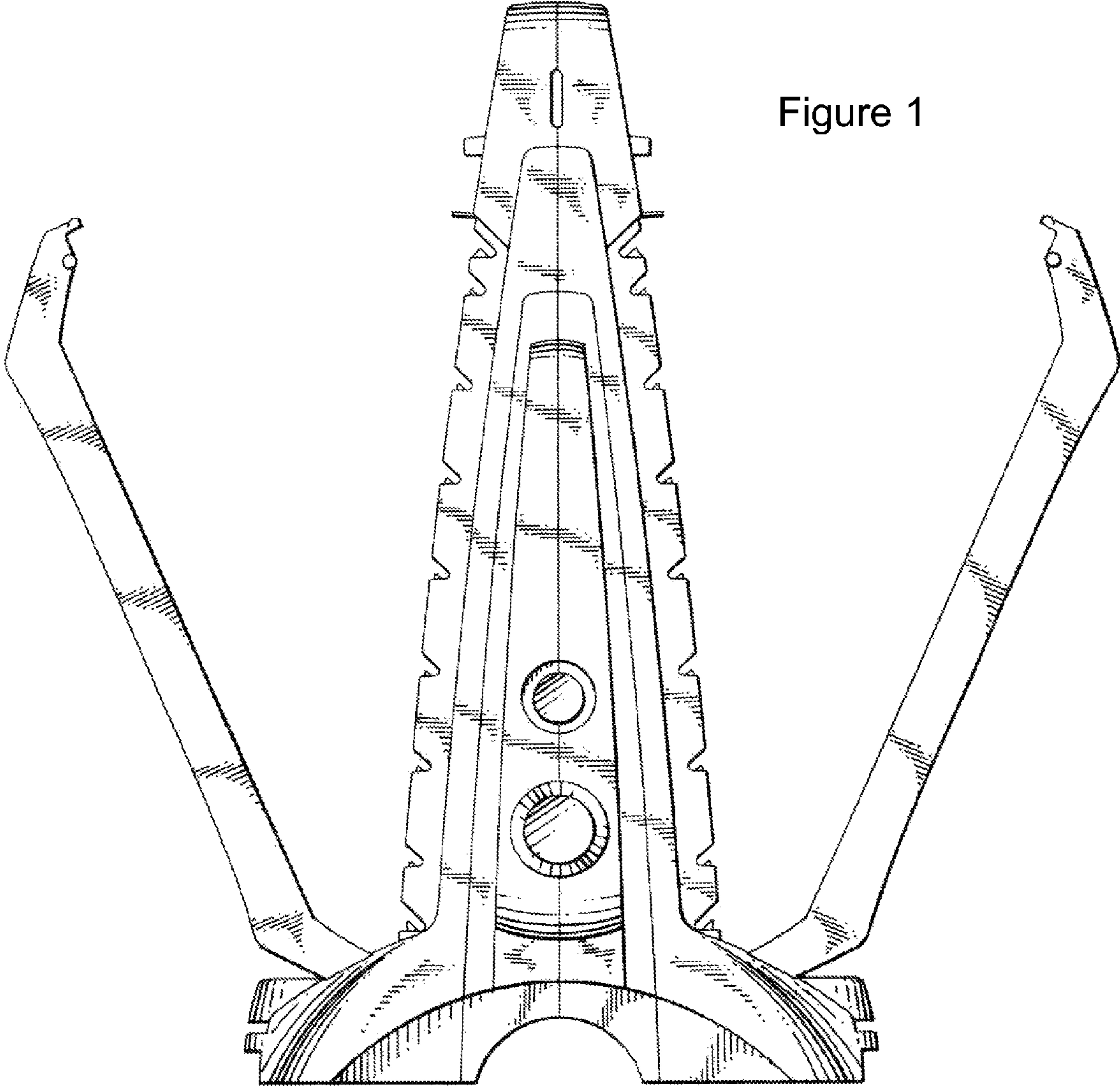


Figure 1

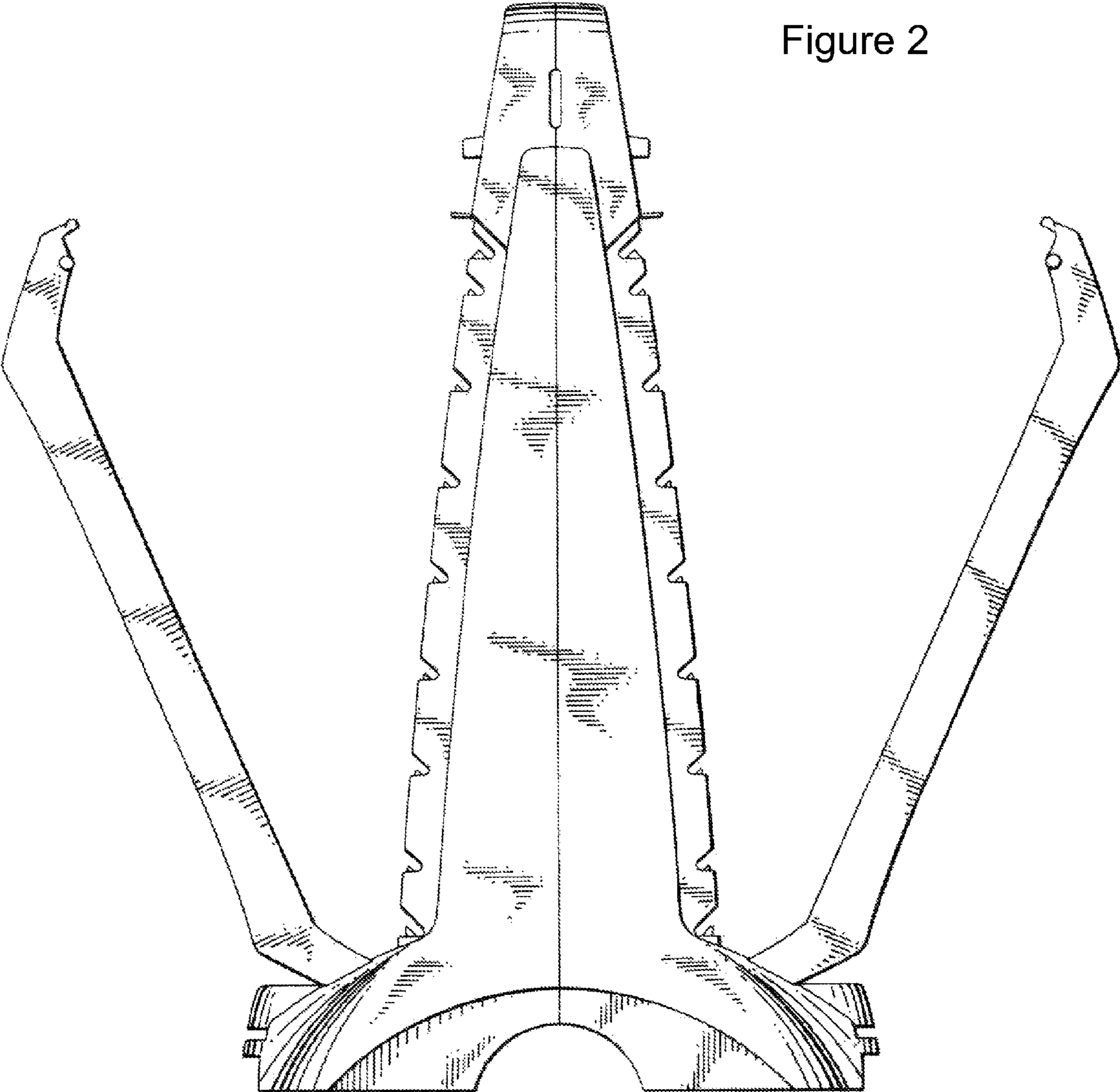


Figure 2

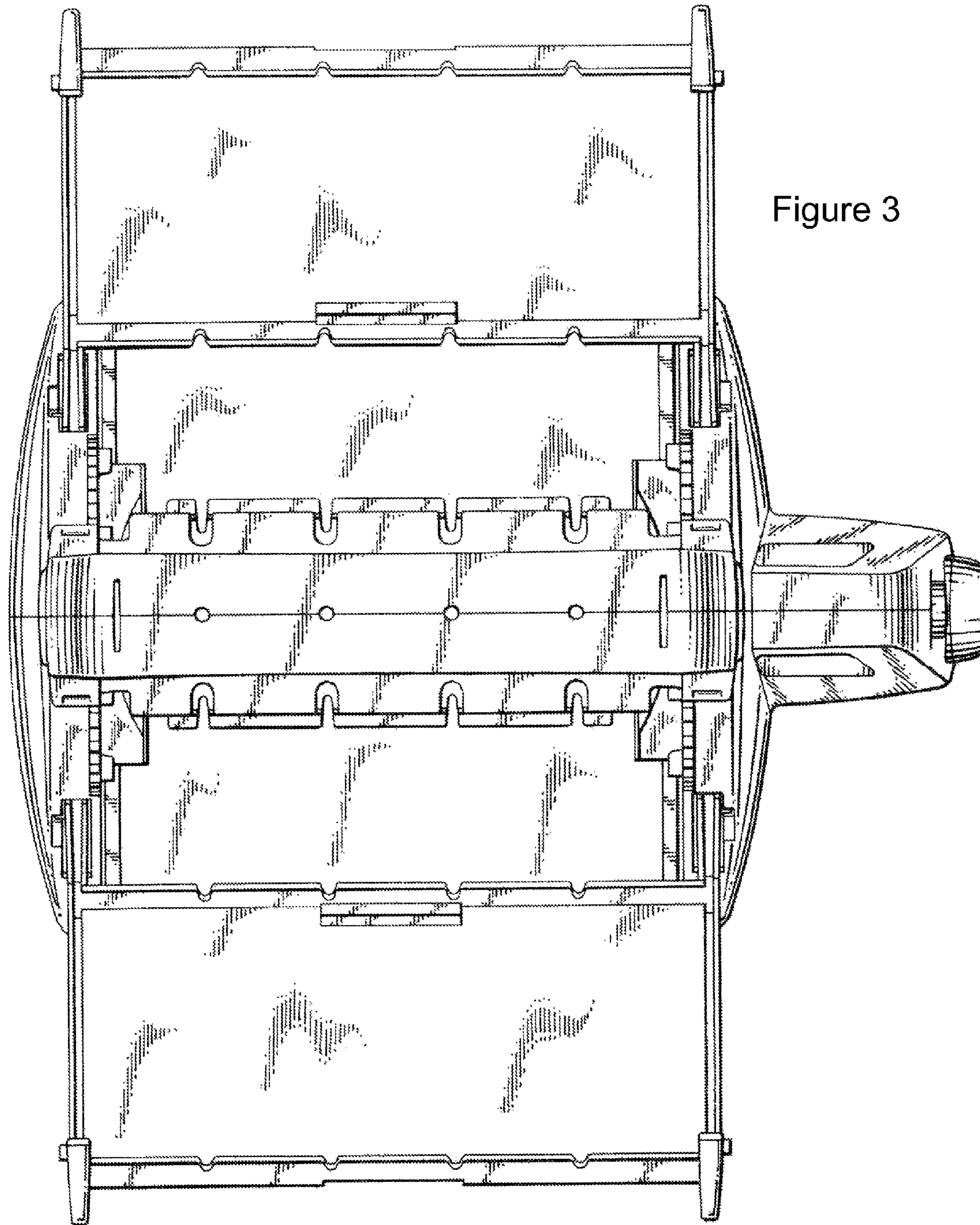
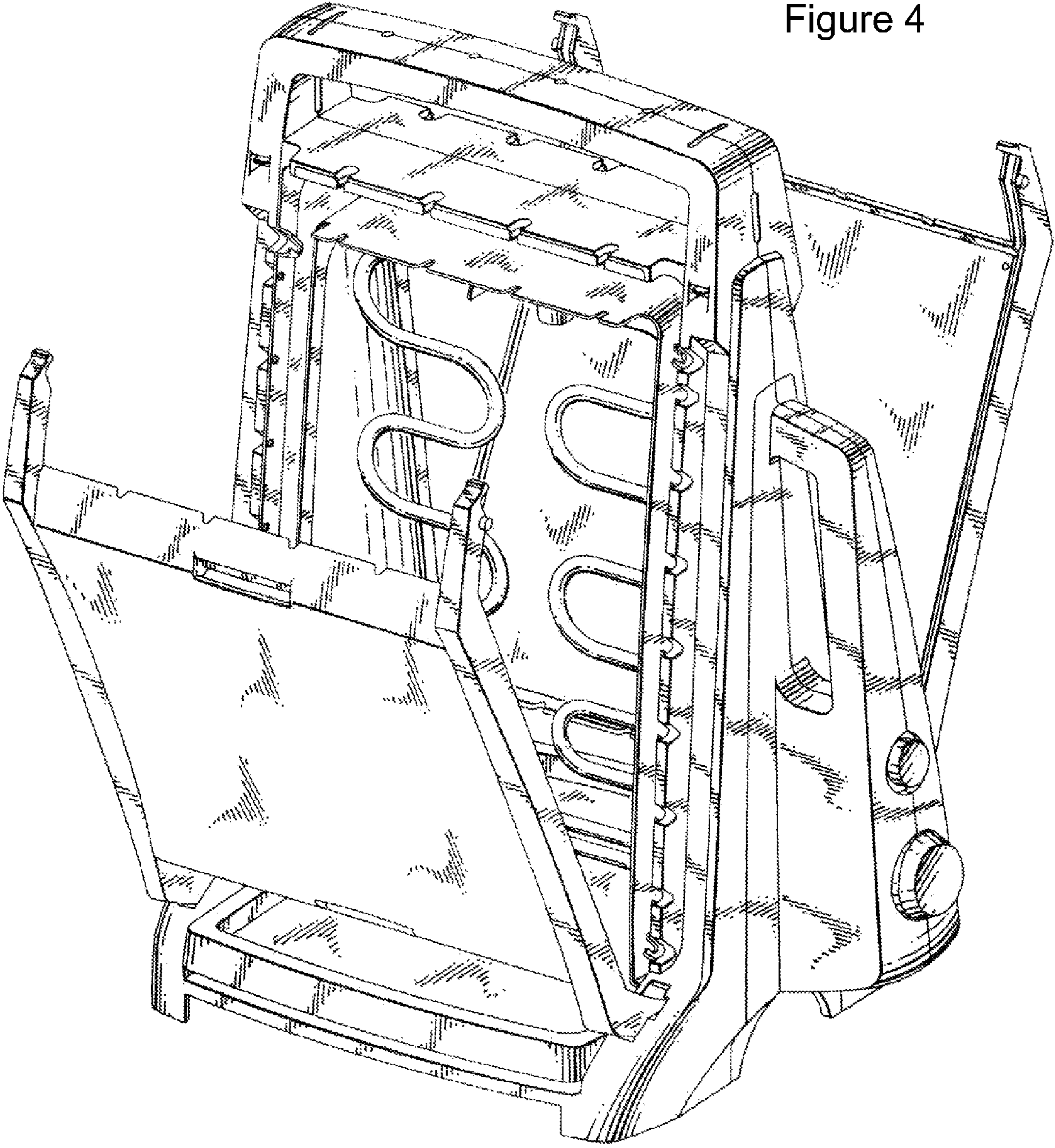


Figure 3

Figure 4



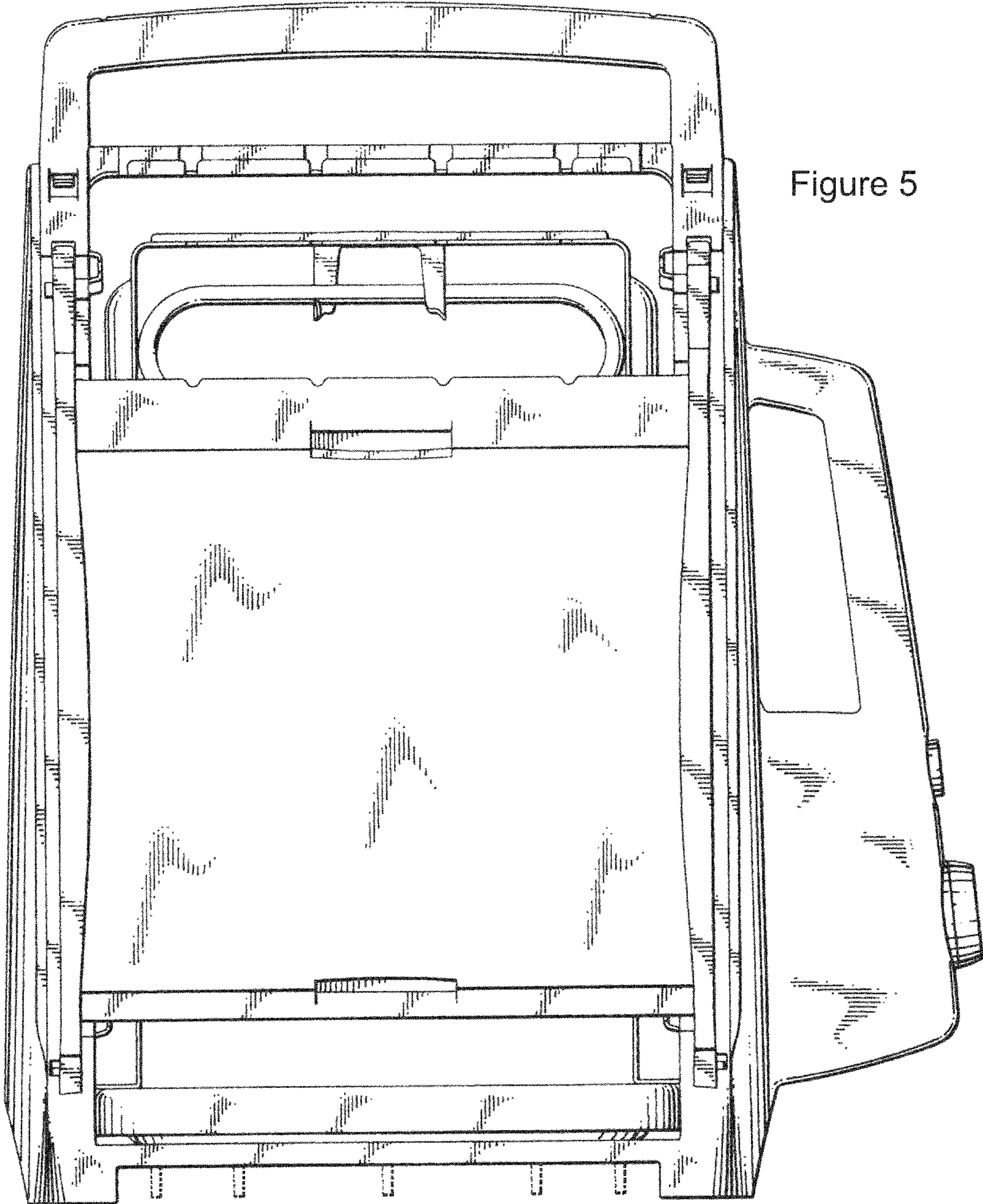


Figure 5