



US00D639109S

(12) **United States Design Patent**
Molayem

(10) **Patent No.:** **US D639,109 S**

(45) **Date of Patent:** **** Jun. 7, 2011**

(54) **STACKING SET OF COOKWARE**

(75) **Inventor:** **Daryoosh Molayem**, Beverly Hills, CA
(US)

(73) **Assignee:** **Tabletops Unlimited, Inc.**, Carson, CA
(US)

(**) **Term:** **14 Years**

(21) **Appl. No.:** **29/365,737**

(22) **Filed:** **Jul. 14, 2010**

(51) **LOC (9) Cl.** **07-02**

(52) **U.S. Cl.** **D7/356; D7/354; D7/357**

(58) **Field of Classification Search** D7/309,
D7/323, 329-331, 339, 346-347, 350.1-350.4,
D7/354-363, 402; D10/46.3; 73/426; 99/324-325,
99/331-332, 337-339, 369, 403-418, 444;
206/501-505, 507-508; 219/405, 435-442,
219/620-624, 725, 730-735; 220/573.1-573.5,
220/912; 426/438, 441

See application file for complete search history.

(56) **References Cited**

U.S. PATENT DOCUMENTS

211,202	A	1/1879	Whitney et al.	
1,268,017	A *	5/1918	Knight	220/573.4
1,488,150	A *	3/1924	Garibaldi et al.	99/412
D199,747	S *	12/1964	Farber	D7/354
3,526,138	A *	9/1970	Swett et al.	73/426
4,204,609	A *	5/1980	Kuhn	220/573.1
4,222,493	A	9/1980	Friedman	
4,714,012	A *	12/1987	Hernandez	99/444
5,048,688	A *	9/1991	Hicks, Jr.	206/501
5,253,758	A	10/1993	Bissell, II	

D349,420	S	8/1994	Hasuike	
D414,375	S	9/1999	Diulus	
5,957,038	A	9/1999	Shimazaki	
D440,164	S *	4/2001	Kerr	D10/46.3
6,546,849	B1	4/2003	Shimazaki	
6,568,314	B1	5/2003	Stepanova	
7,617,948	B2	11/2009	Cheng	
2007/0119744	A1	5/2007	Metaxatos et al.	
2008/0179211	A1	7/2008	Kutsch et al.	

* cited by examiner

Primary Examiner — Ricky Pham

(74) *Attorney, Agent, or Firm* — Blakely Sokoloff Taylor & Zafman LLP

(57) **CLAIM**

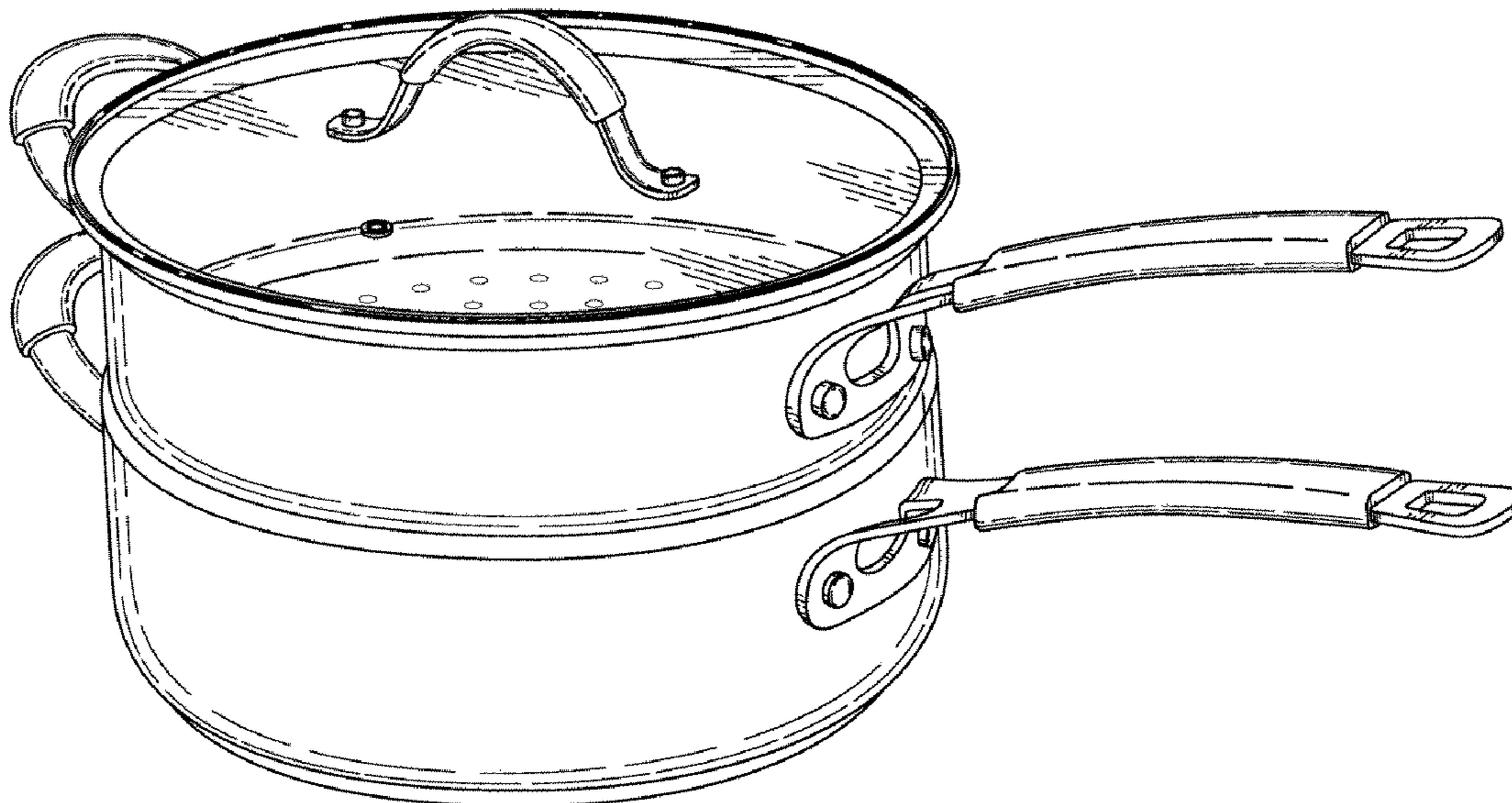
The ornamental design for a stacking set of cookware, as shown and described.

DESCRIPTION

FIG. 1 is a perspective view of a stacking set of cookware showing my new design;
FIG. 2 is a first side view thereof;
FIG. 3 is a second side view thereof;
FIG. 4 is a third side view thereof;
FIG. 5 is a fourth side view thereof;
FIG. 6 is a top view thereof;
FIG. 7 is a bottom view thereof; and,
FIG. 8 is an exploded side view thereof showing the individual set pieces.

The claim design is directed to an assembled set of cookware as shown in FIGS. 1-7, any deviations from the sides not shown forms no part of the claimed design.

1 Claim, 4 Drawing Sheets



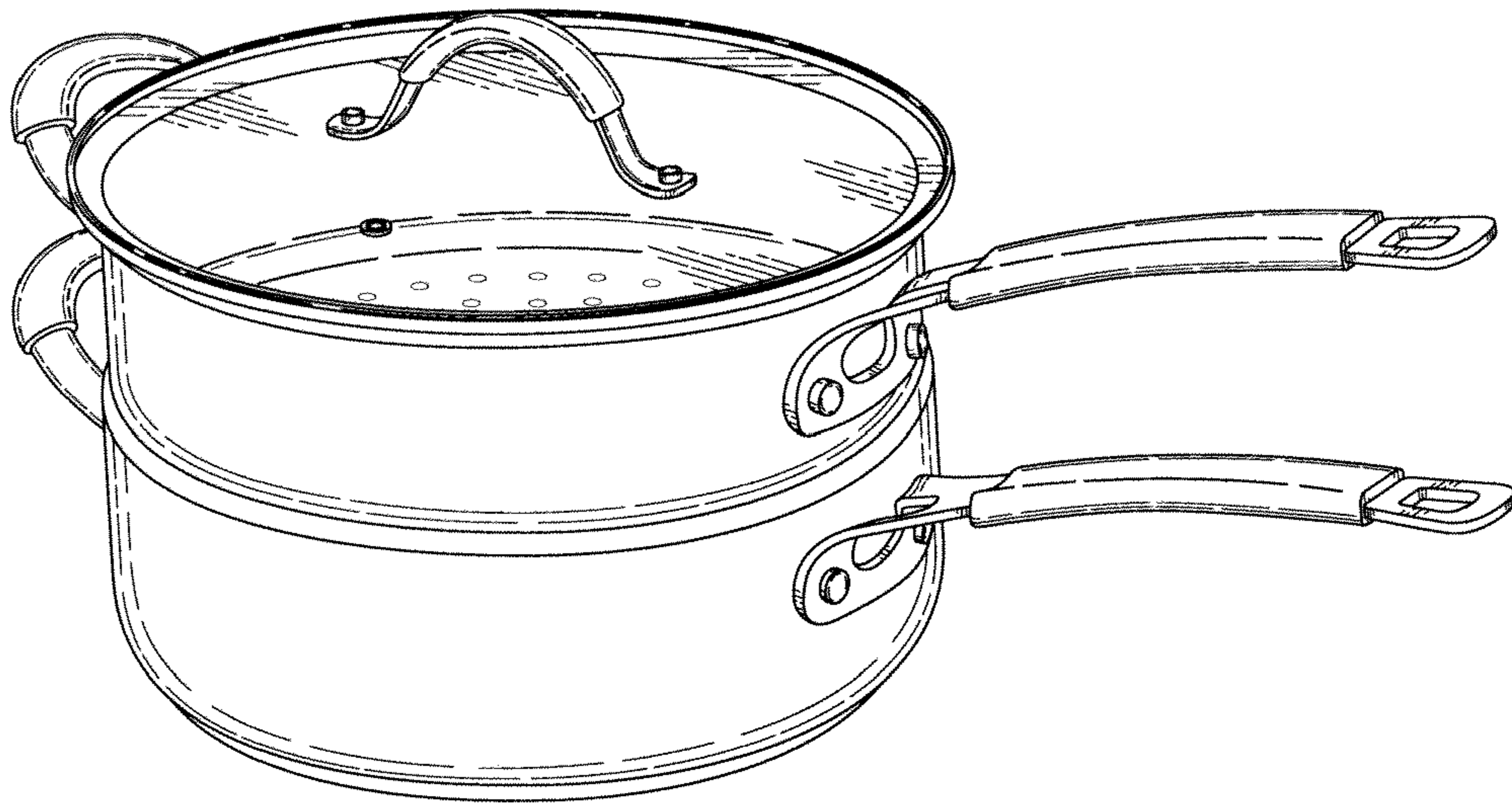


FIG. 1

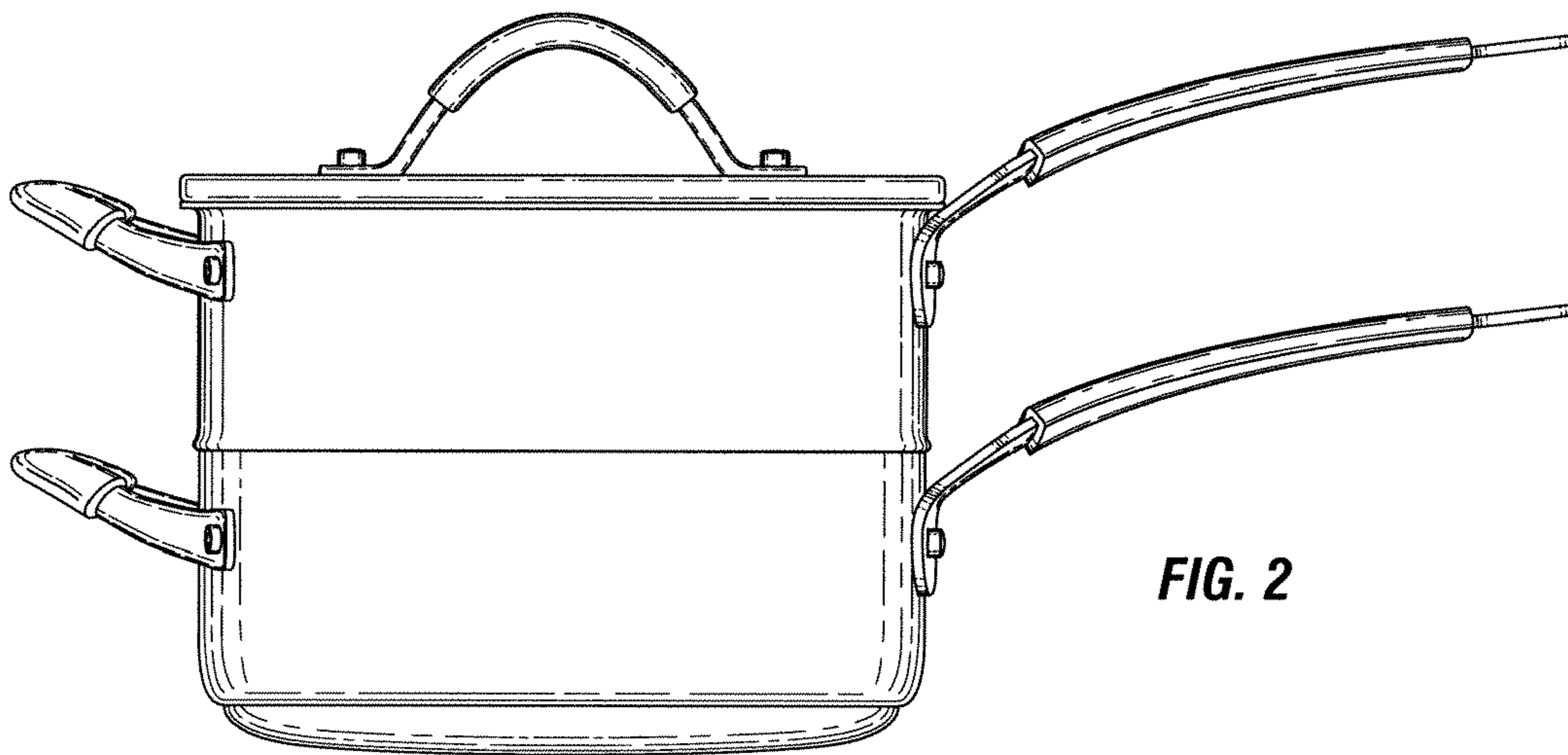


FIG. 2

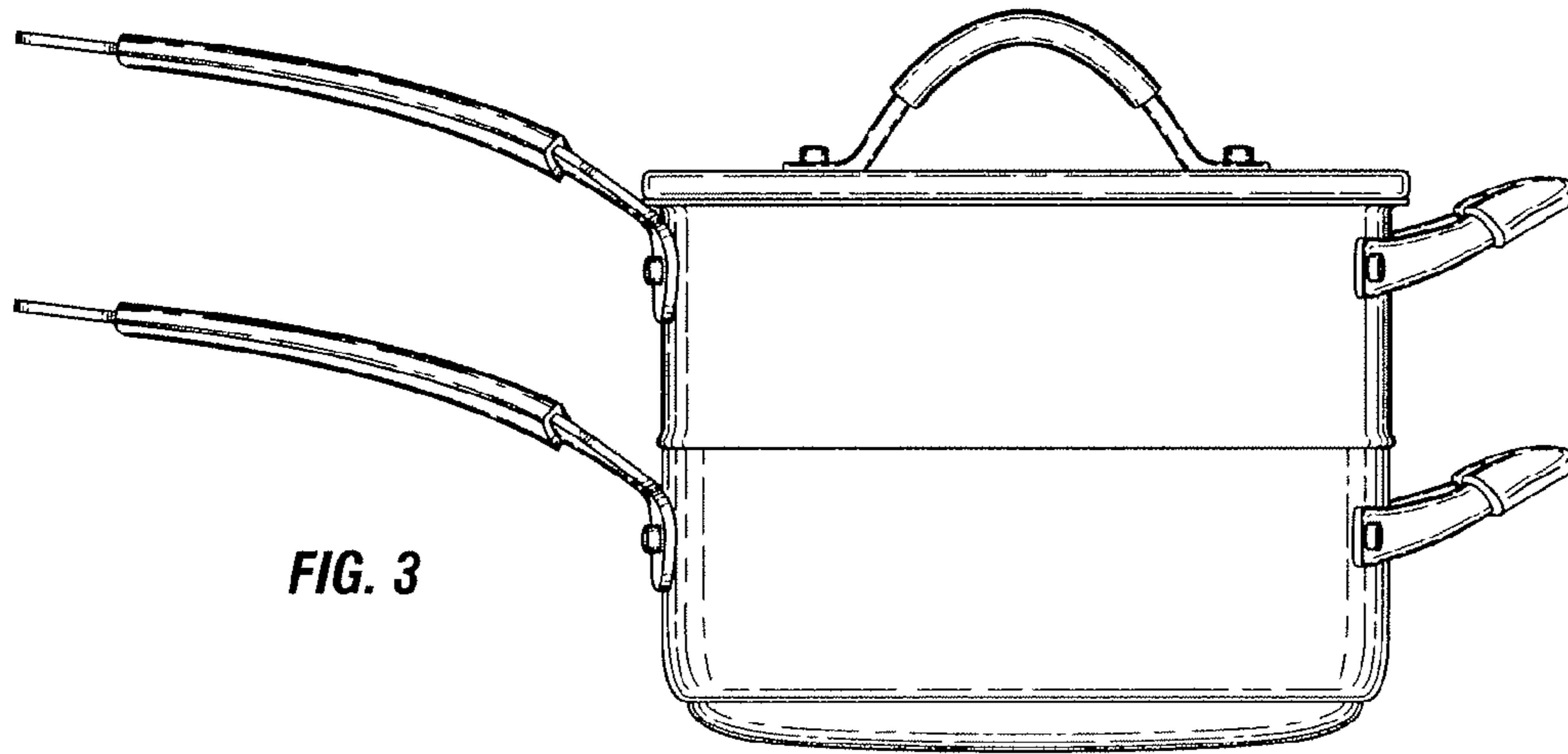


FIG. 3

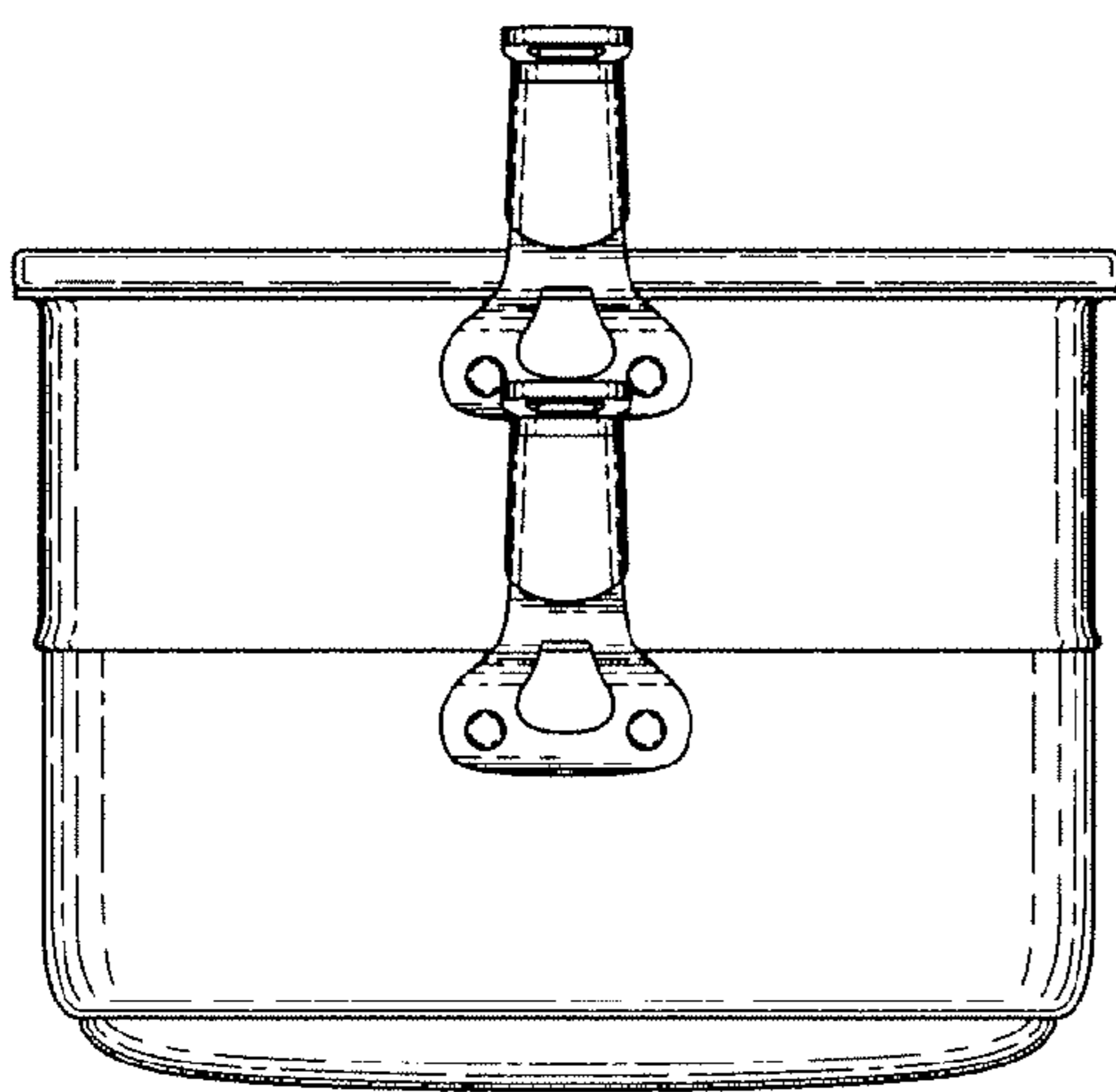


FIG. 4

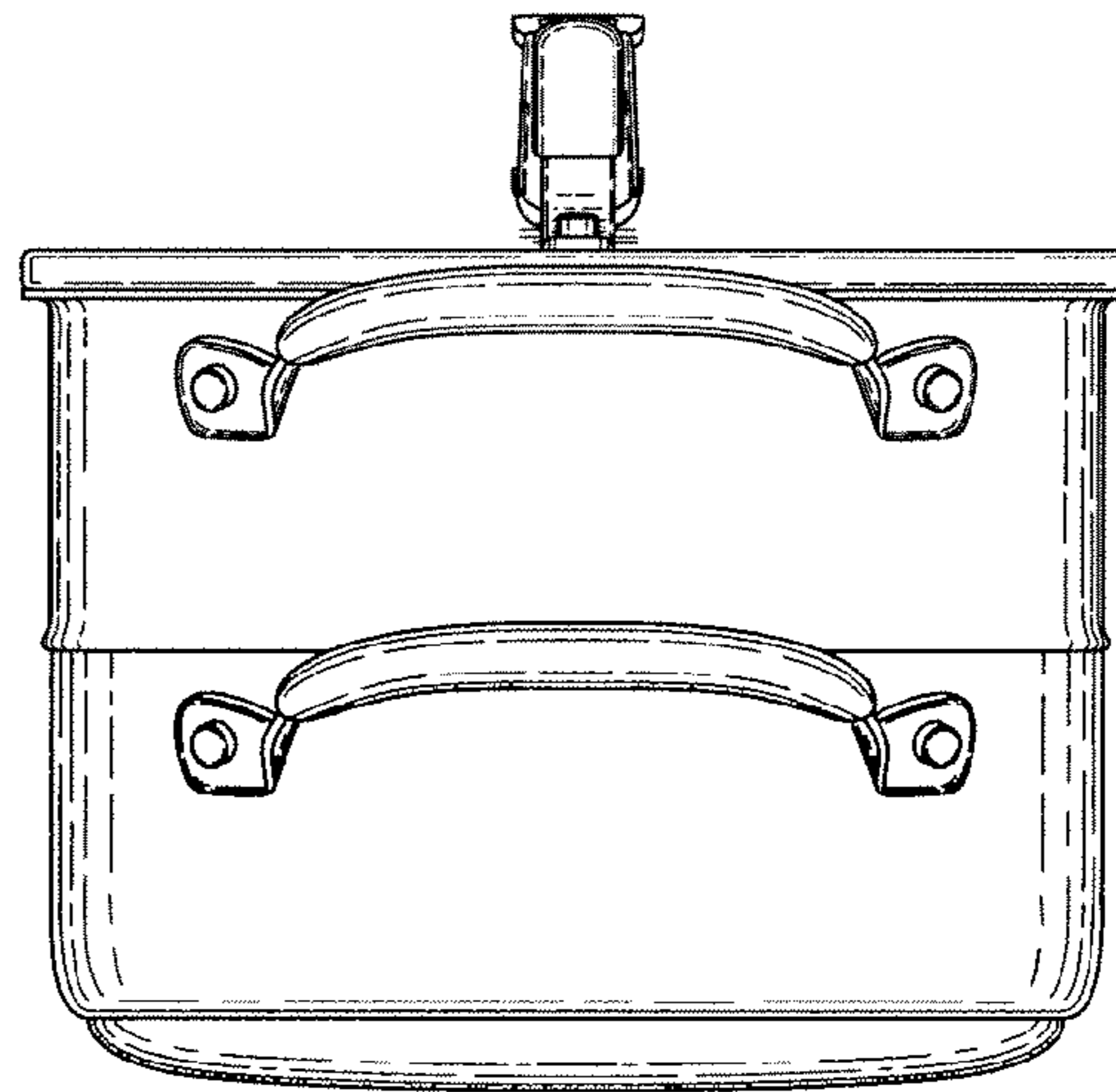


FIG. 5

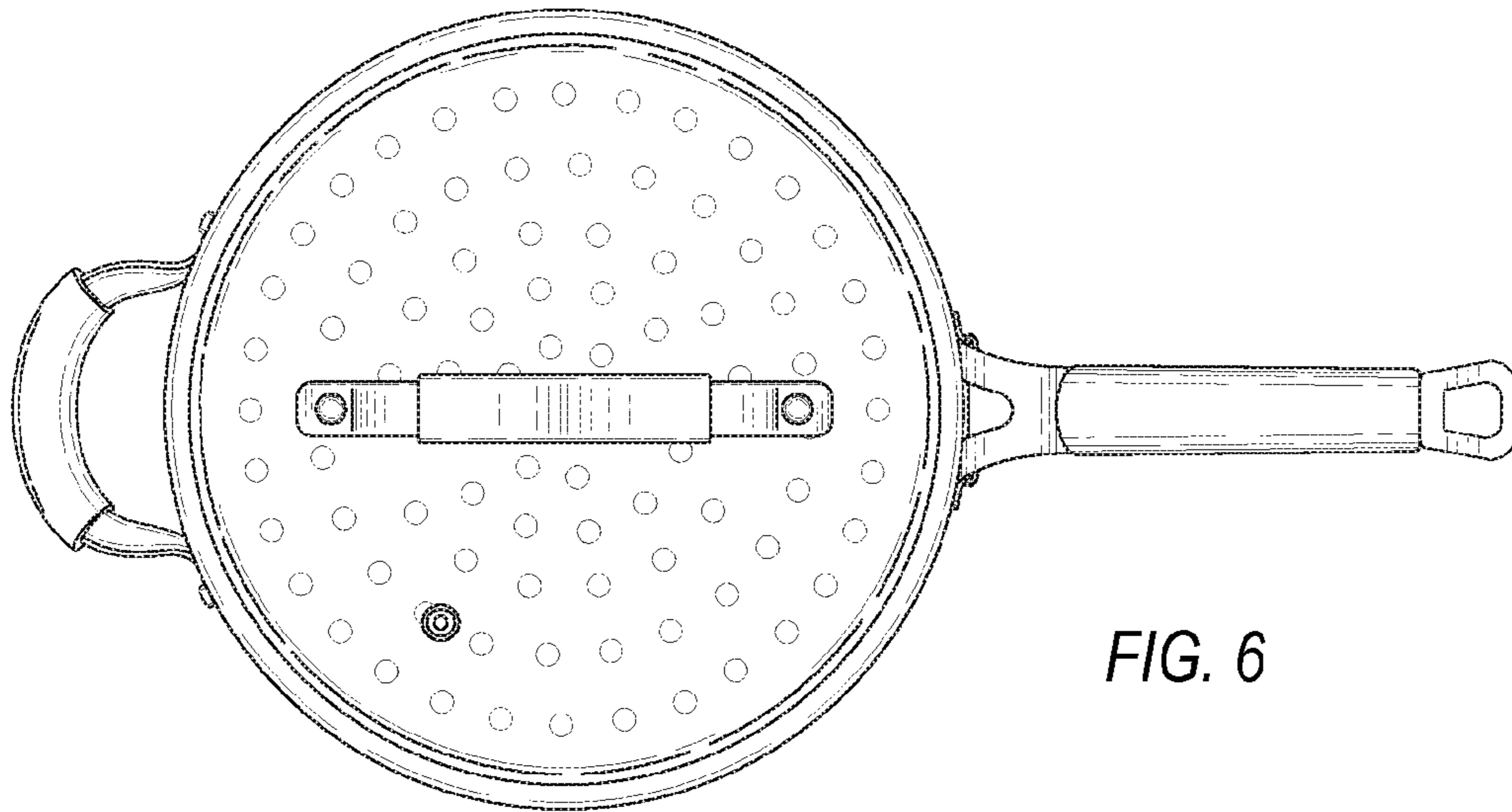


FIG. 6

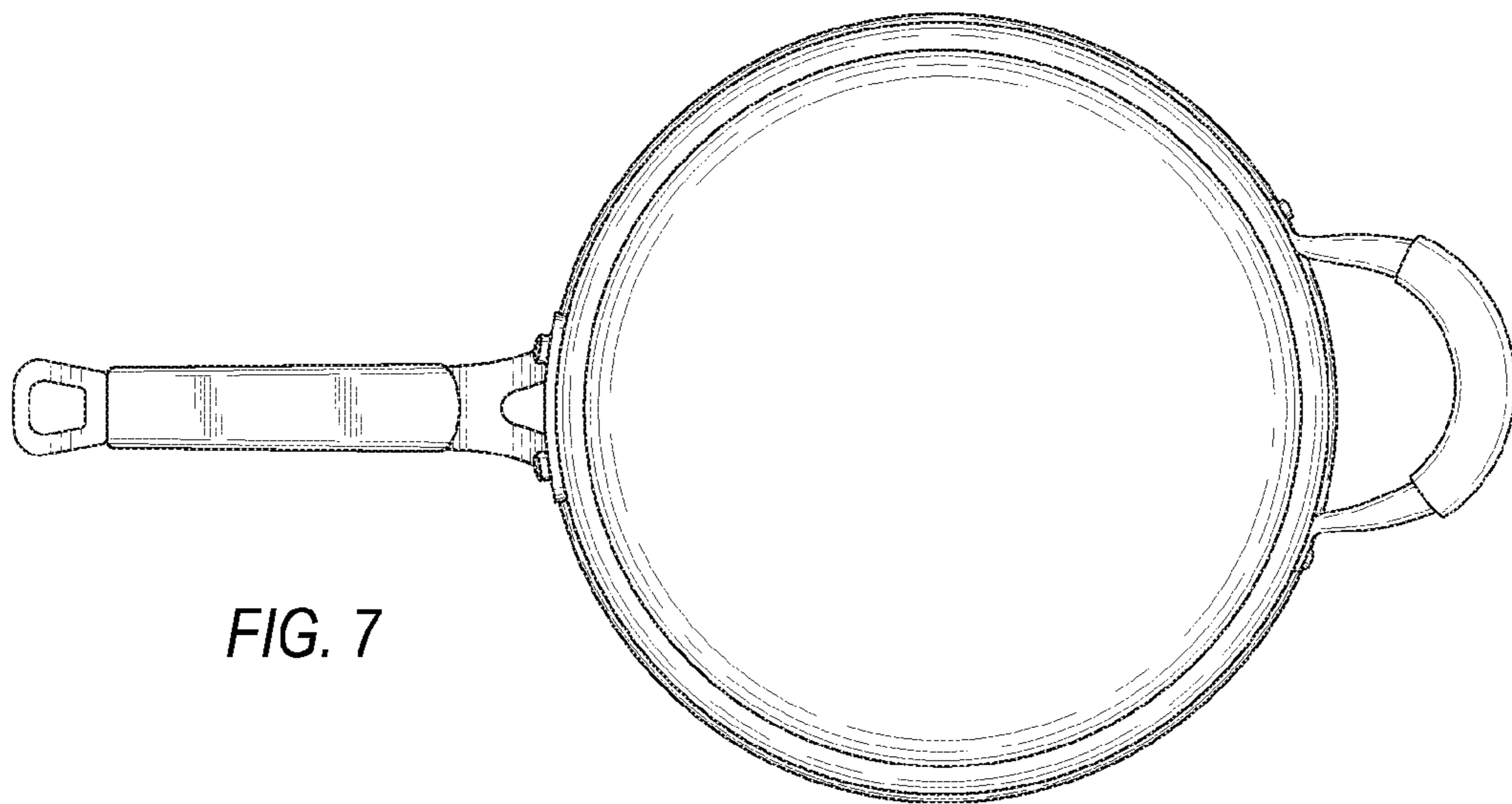


FIG. 7

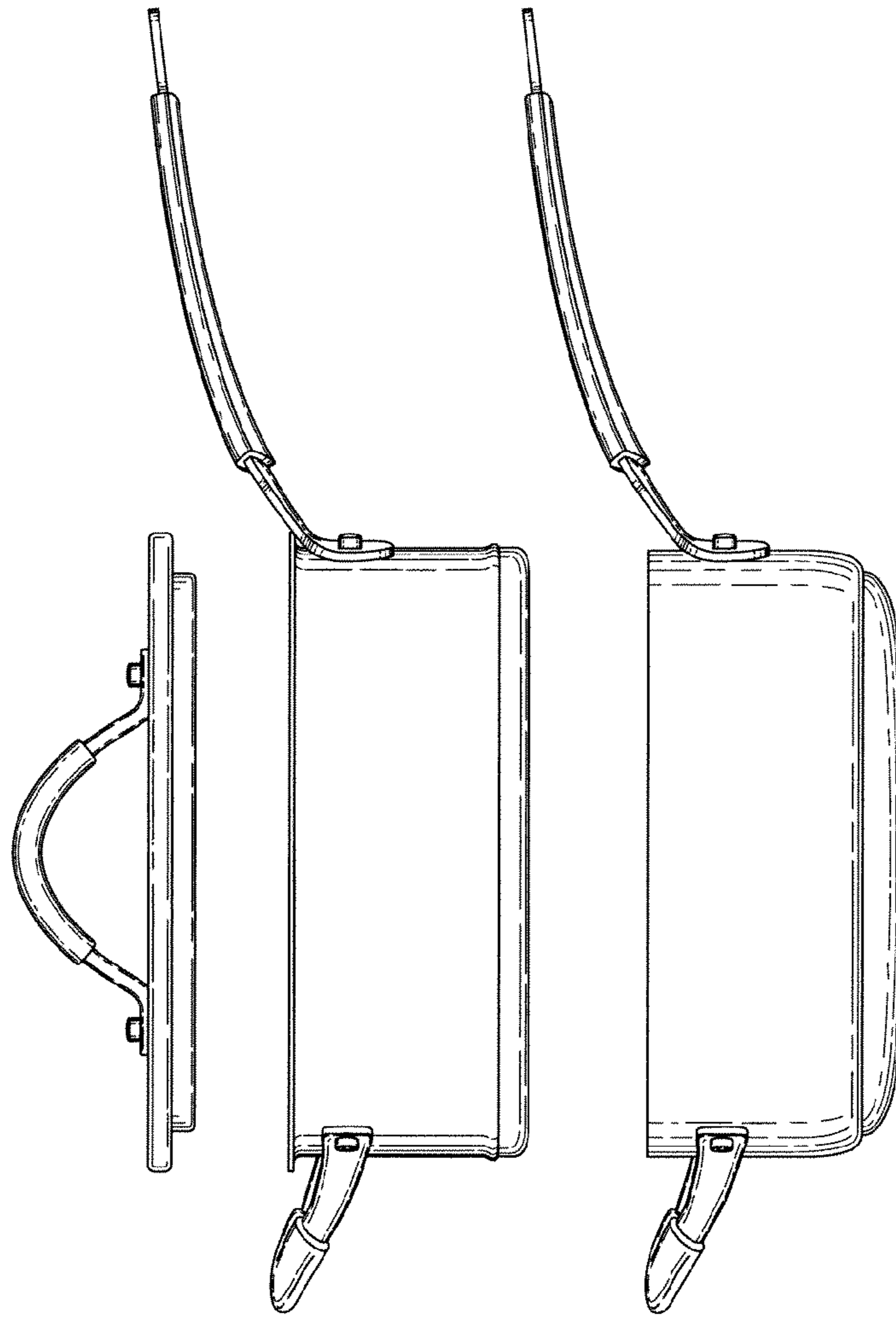


FIG. 8