



US00D639108S

(12) **United States Design Patent**
Molayem

(10) **Patent No.:** **US D639,108 S**

(45) **Date of Patent:** **** Jun. 7, 2011**

(54) **STACKING SET OF COOKWARE**
(75) **Inventor:** **Daryoosh Molayem**, Beverly Hills, CA (US)
(73) **Assignee:** **Tabletops Unlimited, Inc.**, Carson, CA (US)

| | | | |
|-----------------|---------|------------------|----------|
| D349,420 S | 8/1994 | Hasuike | |
| D414,375 S | 9/1999 | Diulus | |
| 5,957,038 A | 9/1999 | Shimazaki | |
| D440,164 S * | 4/2001 | Kerr | D10/46.3 |
| 6,546,849 B1 | 4/2003 | Shimazaki | |
| 6,568,314 B1 | 5/2003 | Stepanova | |
| 7,617,948 B2 | 11/2009 | Cheng | |
| 2007/0119744 A1 | 5/2007 | Metaxatos et al. | |
| 2008/0179211 A1 | 7/2008 | Kutsch et al. | |

(**) **Term:** **14 Years**

* cited by examiner

(21) **Appl. No.:** **29/365,733**

Primary Examiner — Ricky Pham

(22) **Filed:** **Jul. 14, 2010**

(74) *Attorney, Agent, or Firm* — Blakely, Sokoloff, Taylor & Zafman, LLP

(51) **LOC (9) Cl.** **07-02**

(52) **U.S. Cl.** **D7/356; D7/354; D7/357**

(58) **Field of Classification Search** D7/309,
D7/323, 329-331, 339, 346-347, 350.1-350.4,
D7/354-363, 402; D10/46.3; 73/426; 99/324-325,
99/331-332, 337-339, 369, 403-418, 444;
206/501-505, 507-508; 219/405, 435-442,
219/620-624, 725, 730-735; 220/573.1-573.5,
220/912; 426/438, 441

See application file for complete search history.

(57) **CLAIM**

The ornamental design for a stacking set of cookware, as shown and described.

DESCRIPTION

FIG. 1 is a perspective view of a stacking set of cookware showing my new design;
FIG. 2 is a first side view thereof;
FIG. 3 is a second side view thereof;
FIG. 4 is a third side view thereof;
FIG. 5 is a fourth side view thereof;
FIG. 6 is a top view thereof;
FIG. 7 is a bottom view thereof; and,
FIG. 8 is an exploded side view thereof showing the individual set pieces.

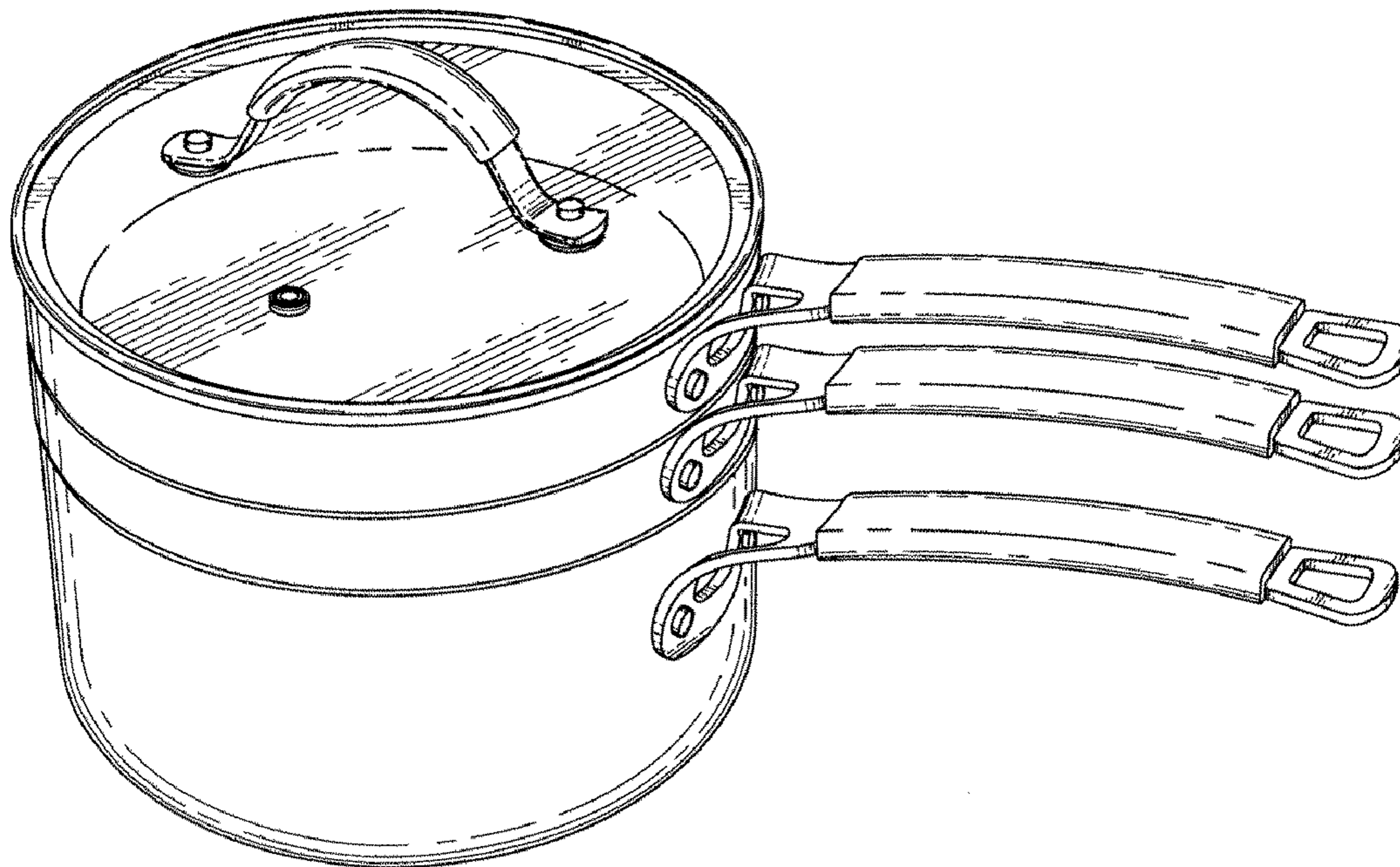
The claim design is directed to an assembled set of cookware as shown in FIGS. 1-7, any deviations from the sides not shown forms no part of the claimed design.

1 Claim, 4 Drawing Sheets

(56) **References Cited**

U.S. PATENT DOCUMENTS

| | | | |
|---------------|---------|------------------|-----------|
| 211,202 A | 1/1879 | Whitney et al. | |
| 1,268,017 A * | 5/1918 | Knight | 220/573.4 |
| 1,488,150 A * | 3/1924 | Garibaldi et al. | 99/412 |
| D199,747 S * | 12/1964 | Farber | D7/354 |
| 3,526,138 A * | 9/1970 | Swett et al. | 73/426 |
| 4,204,609 A * | 5/1980 | Kuhn | 220/573.1 |
| 4,222,493 A | 9/1980 | Friedman | |
| 4,714,012 A * | 12/1987 | Hernandez | 99/444 |
| 5,048,688 A * | 9/1991 | Hicks, Jr. | 206/501 |
| 5,253,758 A | 10/1993 | Bissell, II | |



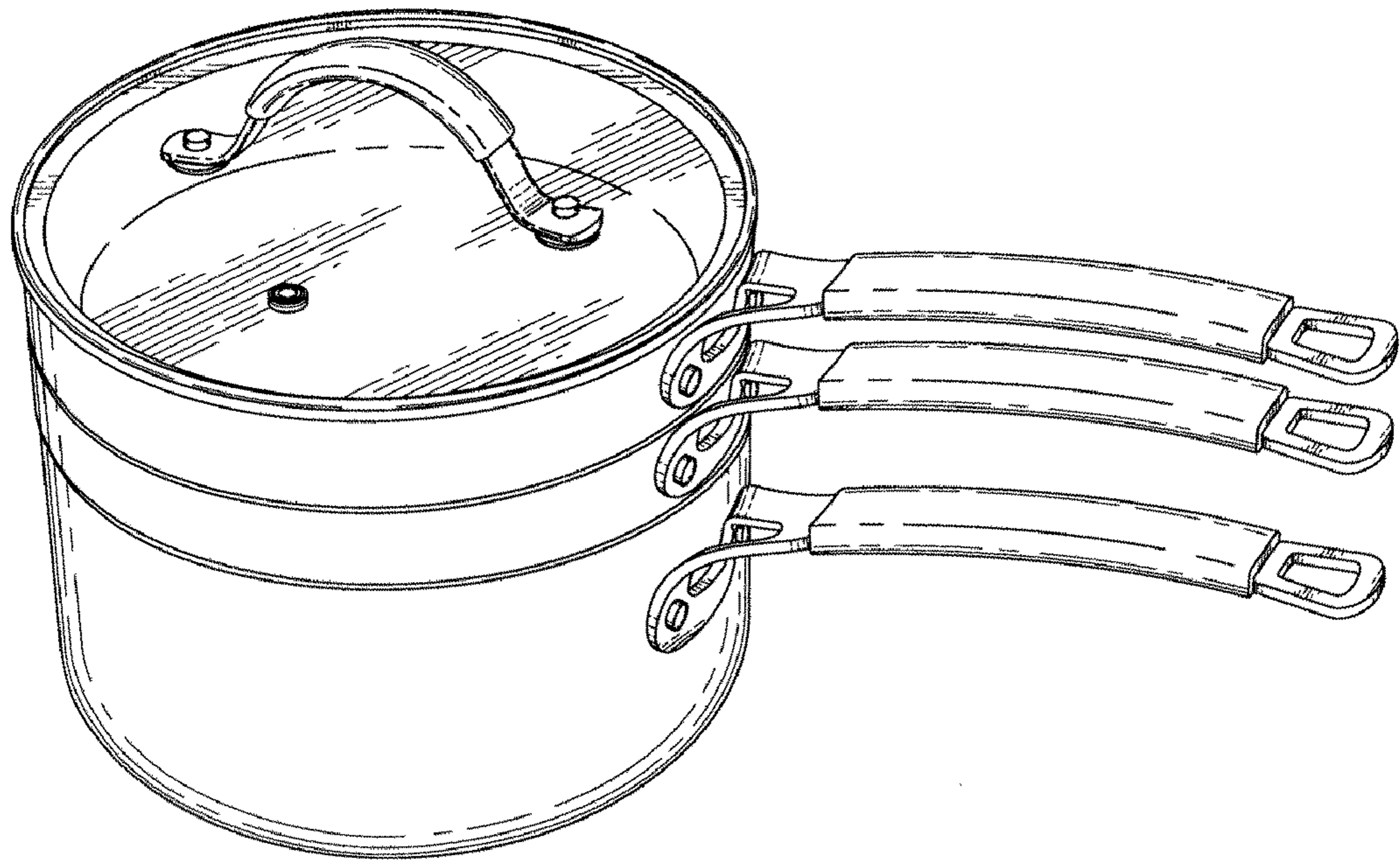


FIG. 1

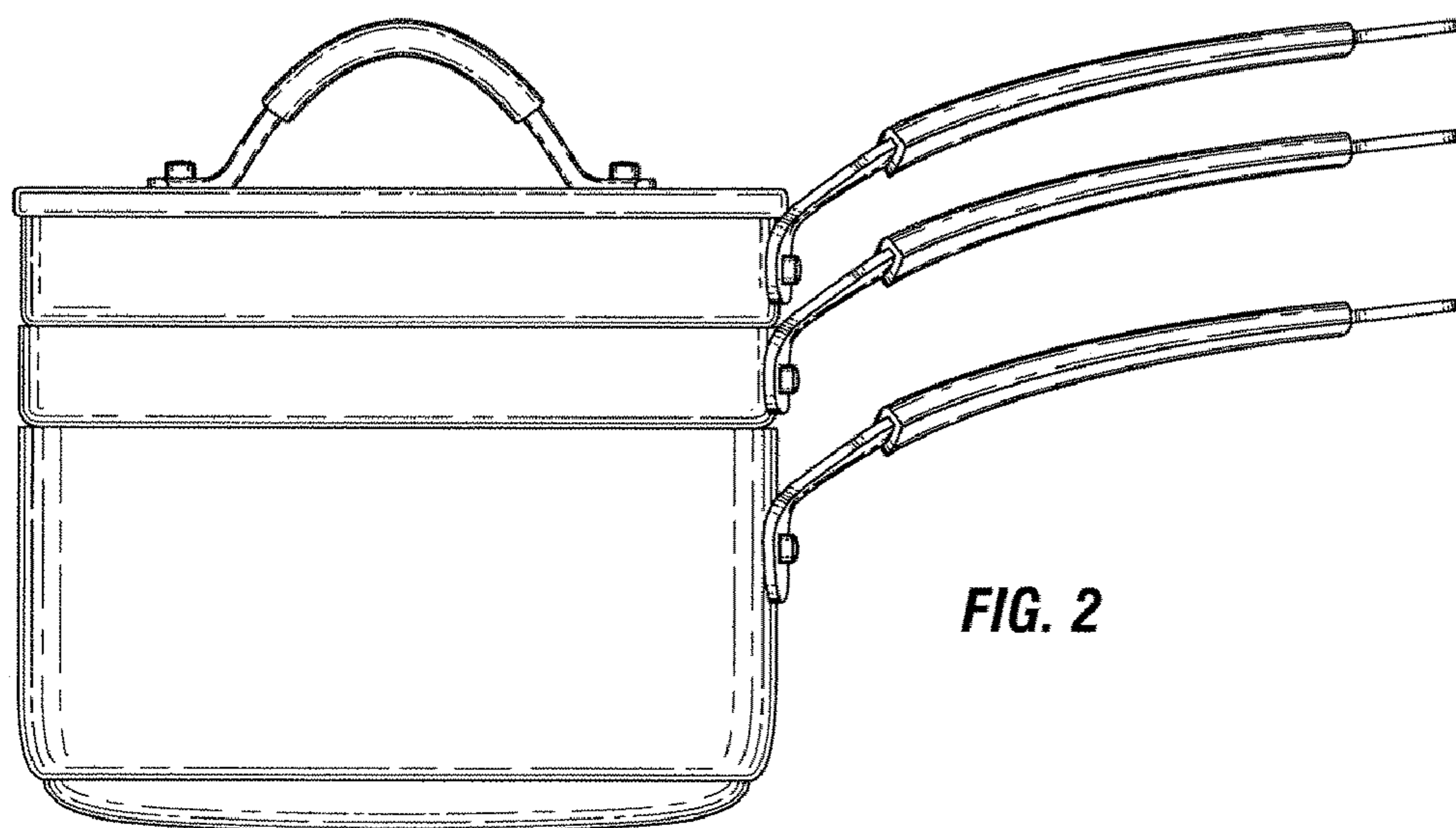


FIG. 2

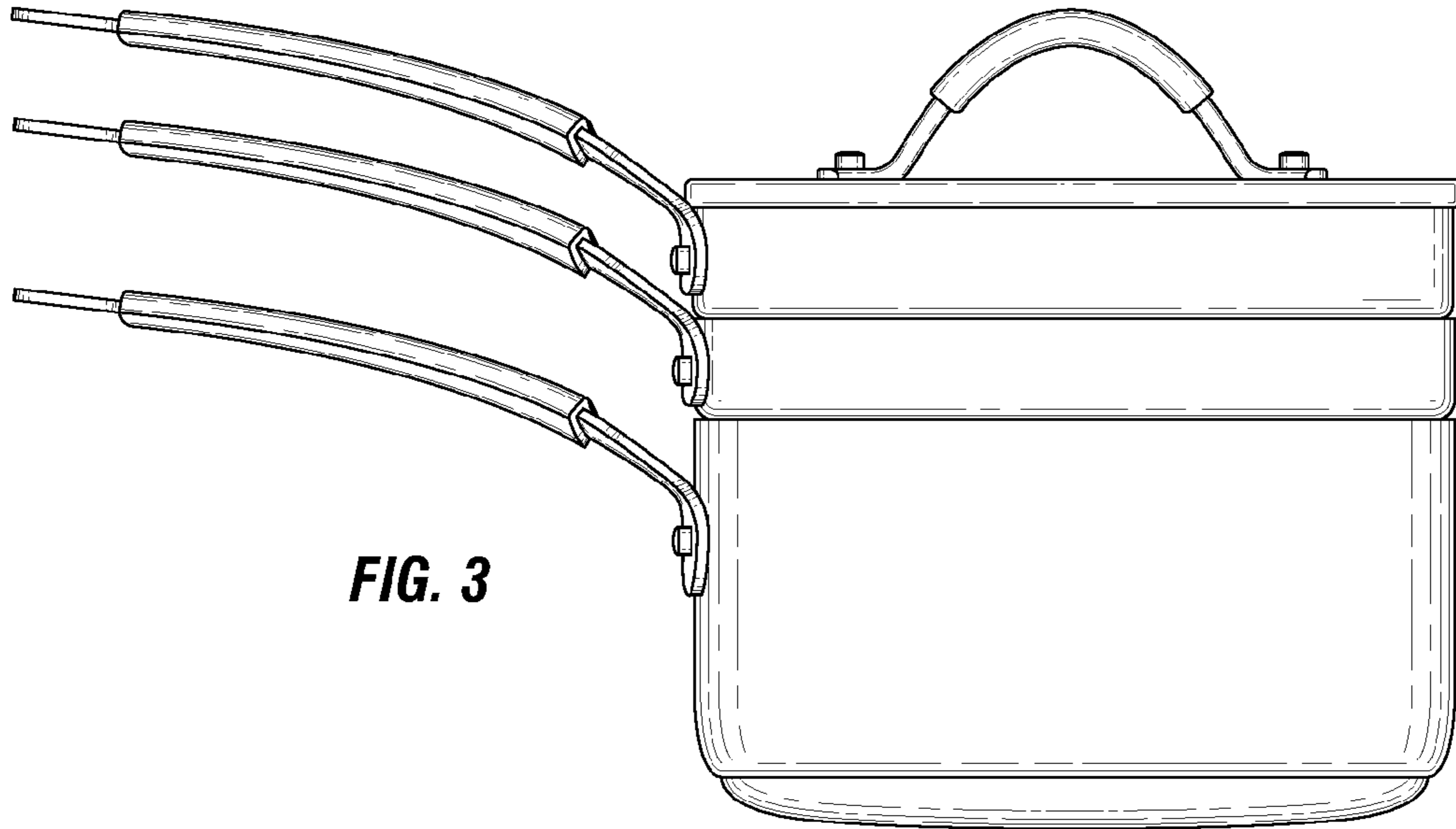


FIG. 3

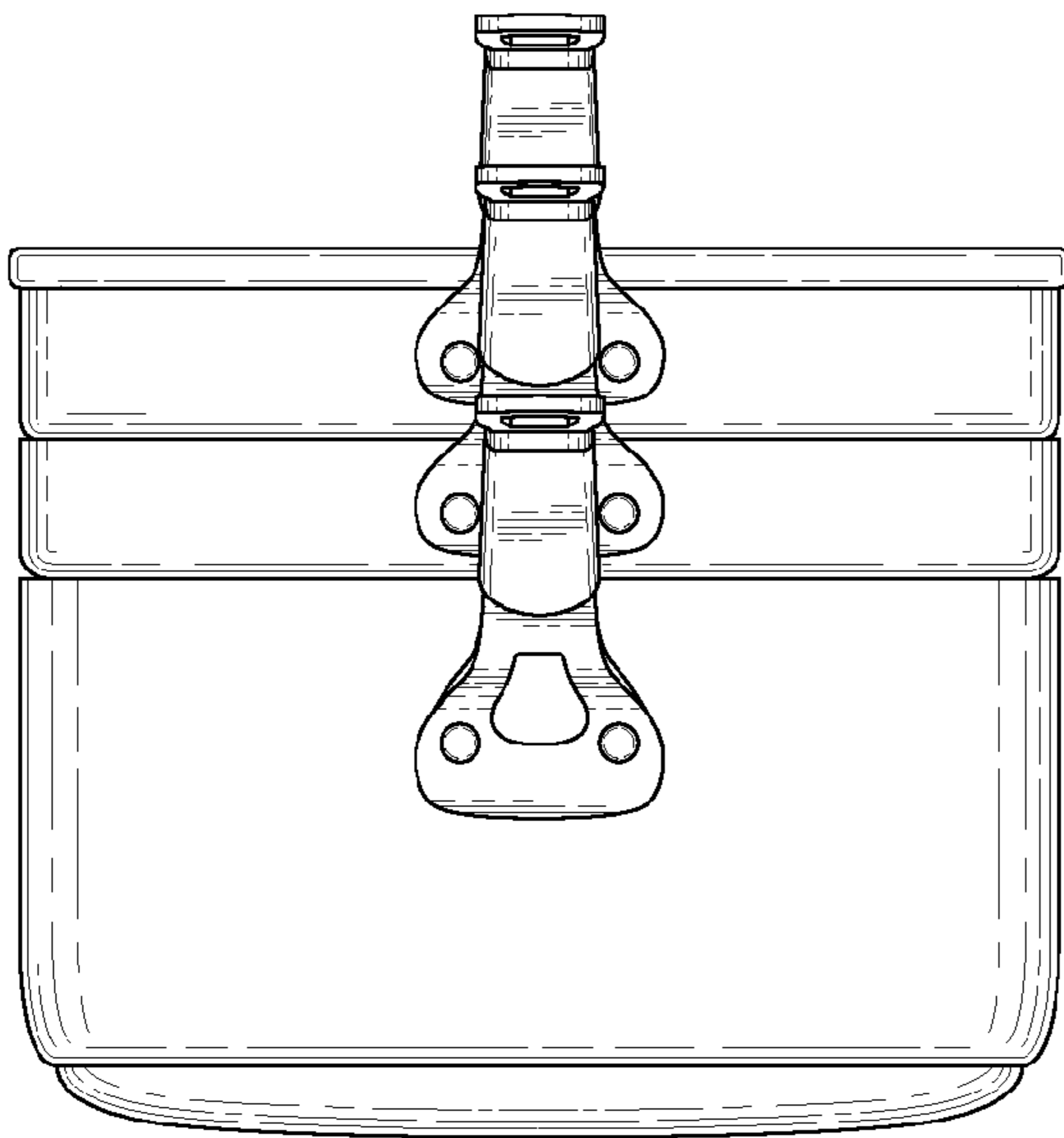


FIG. 4

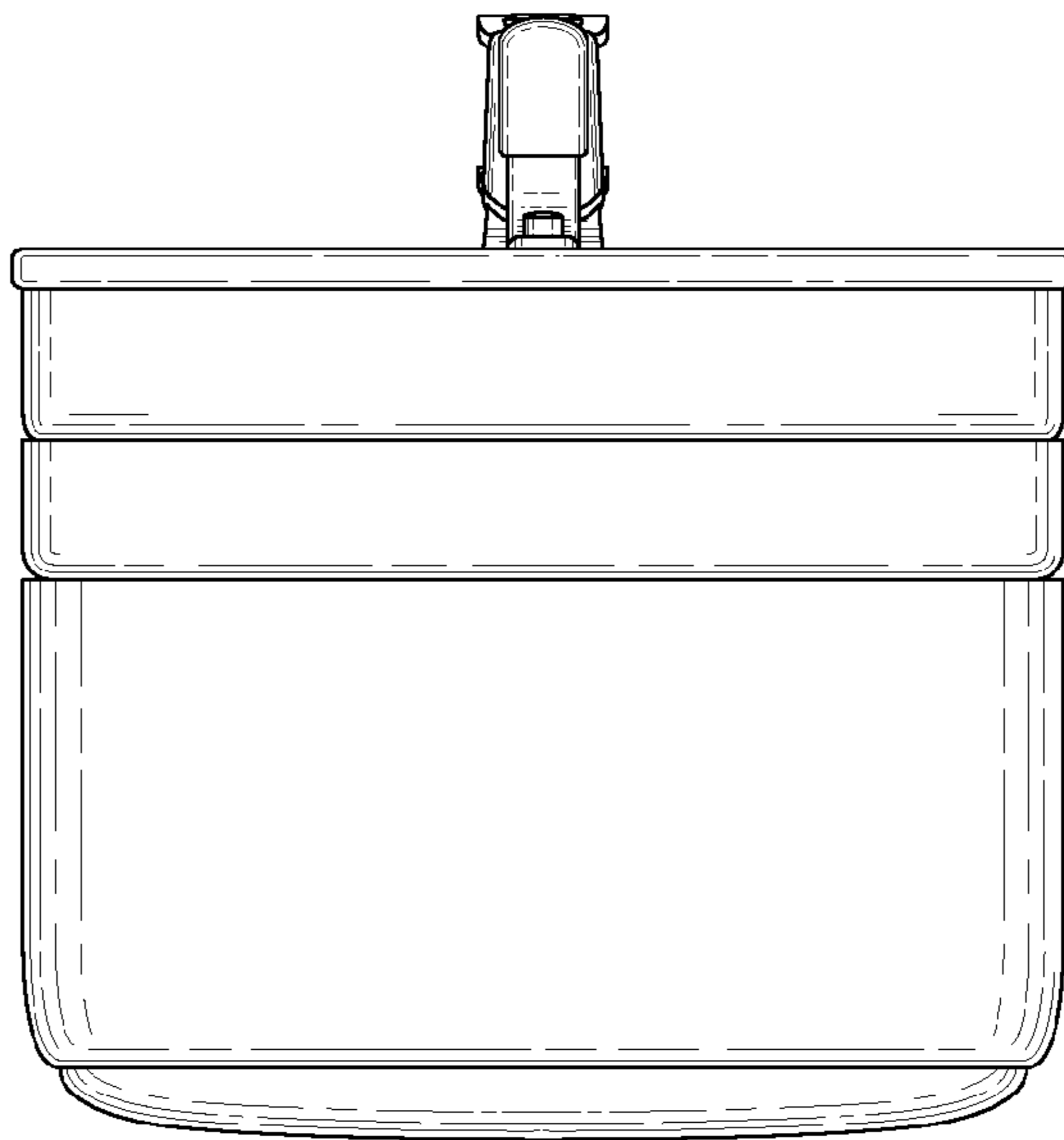


FIG. 5

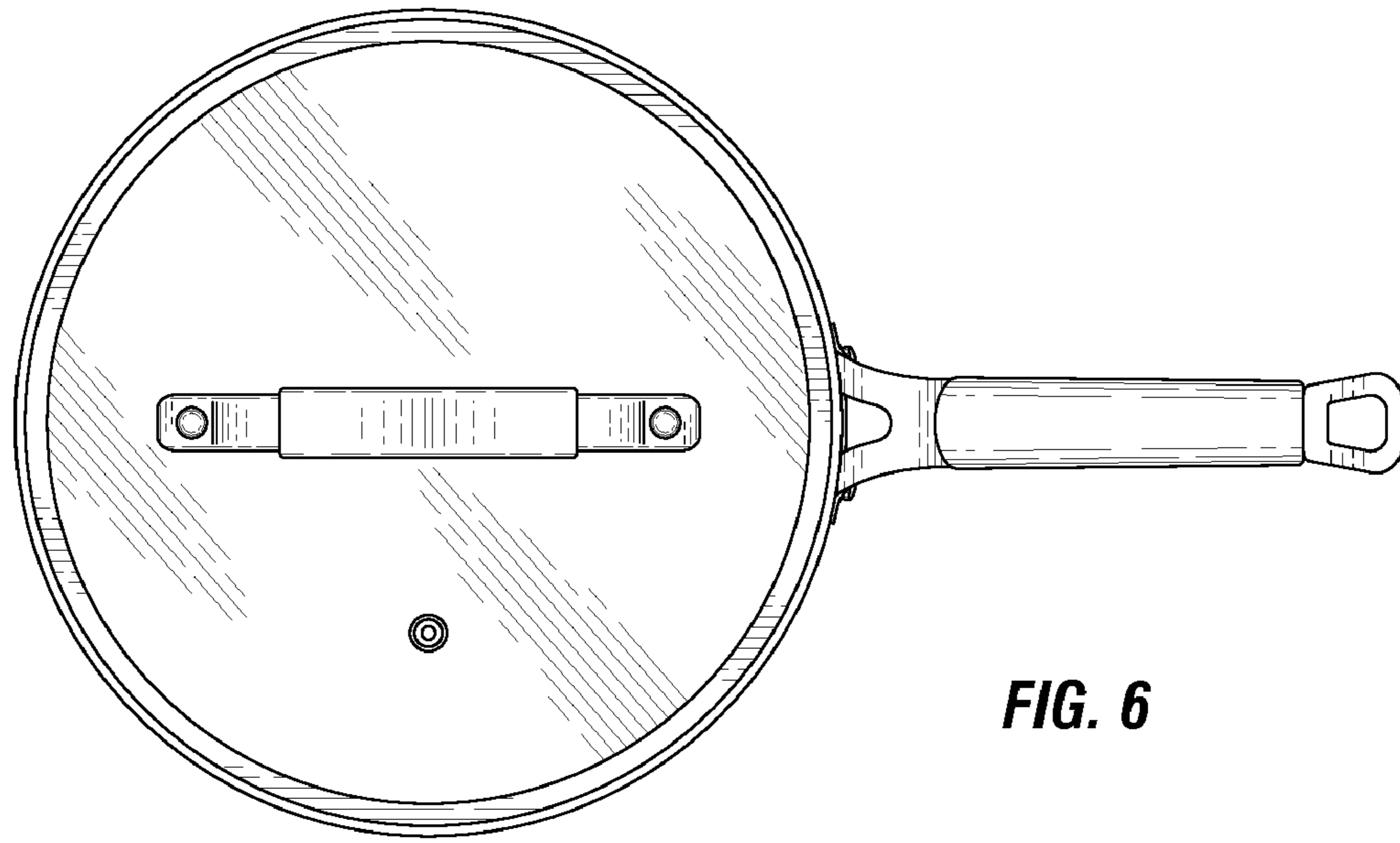


FIG. 6

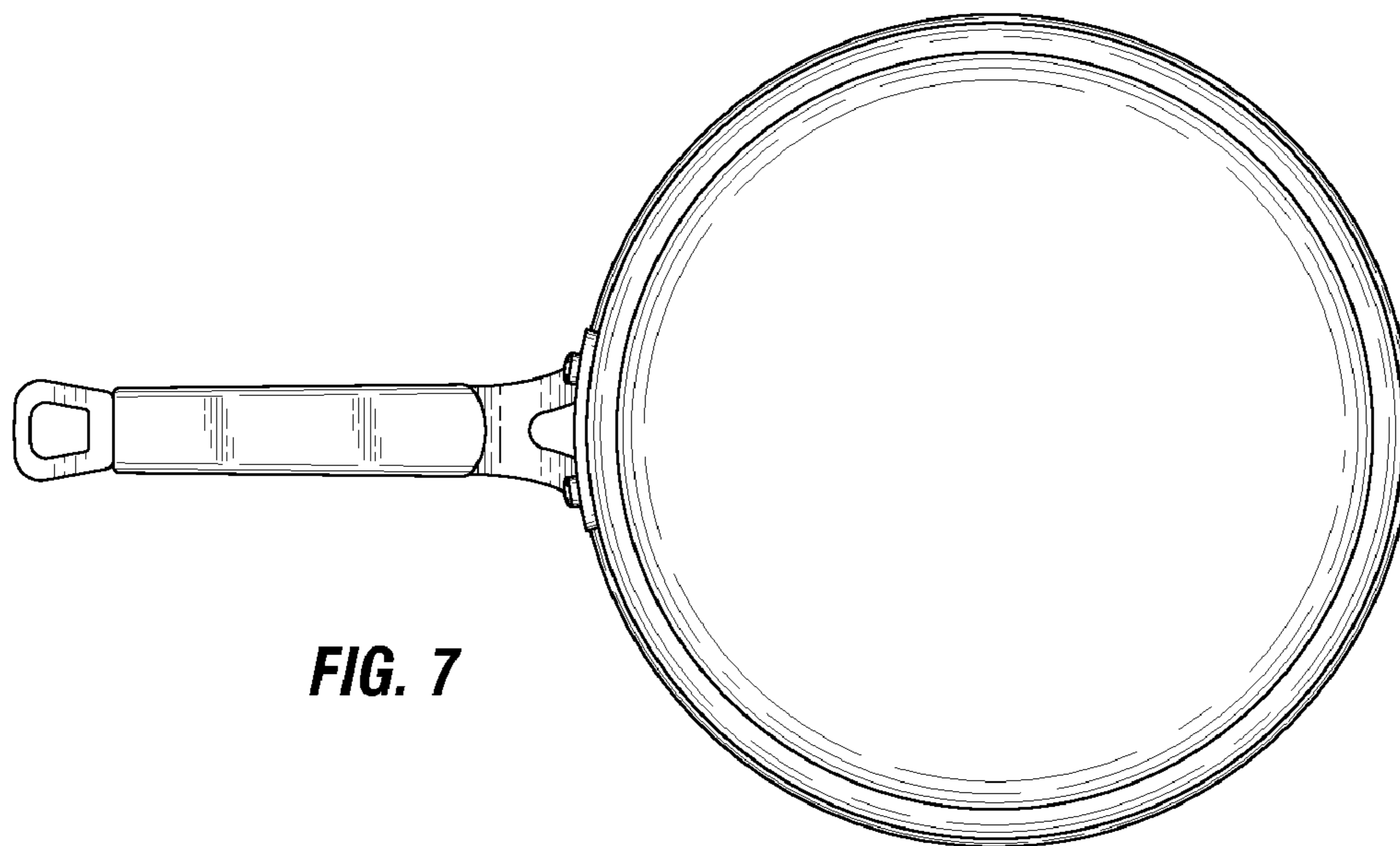


FIG. 7

