



US00D639107S

(12) **United States Design Patent**  
**Barber**

(10) **Patent No.:** **US D639,107 S**

(45) **Date of Patent:** **\*\* Jun. 7, 2011**

(54) **PIE PAN HAVING REMOVABLE PIE SERVER**

(75) Inventor: **Thomas Barber**, Redondo Beach, CA (US)

(73) Assignee: **Bradshaw International, Inc.**, Rancho Cucamonga, CA (US)

(\*\*) Term: **14 Years**

(21) Appl. No.: **29/379,980**

(22) Filed: **Nov. 29, 2010**

(51) **LOC (9) Cl.** ..... **07-02**

(52) **U.S. Cl.** ..... **D7/354; D7/391**

(58) **Field of Classification Search** ..... D3/294-304, D3/307-309; D7/323, 354-363, 391, 402, D7/502-505, 538-545, 554.3-554.4, 585-588, D7/601-615, 629; D9/424-435, 452-456, D9/760-761; 99/324, 426; 220/4.22, 23.2-23.6, 220/23.89, 573.1-573.3, 574-575, 657, 780-806, 220/912; 249/117, 121-122, 126

See application file for complete search history.

(56) **References Cited**

**U.S. PATENT DOCUMENTS**

D121,575 S \* 7/1940 Russell ..... D7/391  
D151,384 S \* 10/1948 Moffat ..... D7/360  
D479,952 S \* 9/2003 Zimmerman ..... D7/610

D515,363 S \* 2/2006 Driggers et al. .... D7/610  
D522,813 S \* 6/2006 Swinford et al. .... D7/610  
D553,902 S \* 10/2007 Barber ..... D7/357  
D572,539 S \* 7/2008 Swinford et al. .... D7/610  
D609,979 S \* 2/2010 Soibel et al. .... D7/629  
D619,426 S \* 7/2010 Bodum ..... D7/629  
D623,472 S \* 9/2010 Bodum ..... D7/502

\* cited by examiner

*Primary Examiner* — Ricky Pham

(74) *Attorney, Agent, or Firm* — Birch, Stewart, Kolasch & Birch, LLP

(57) **CLAIM**

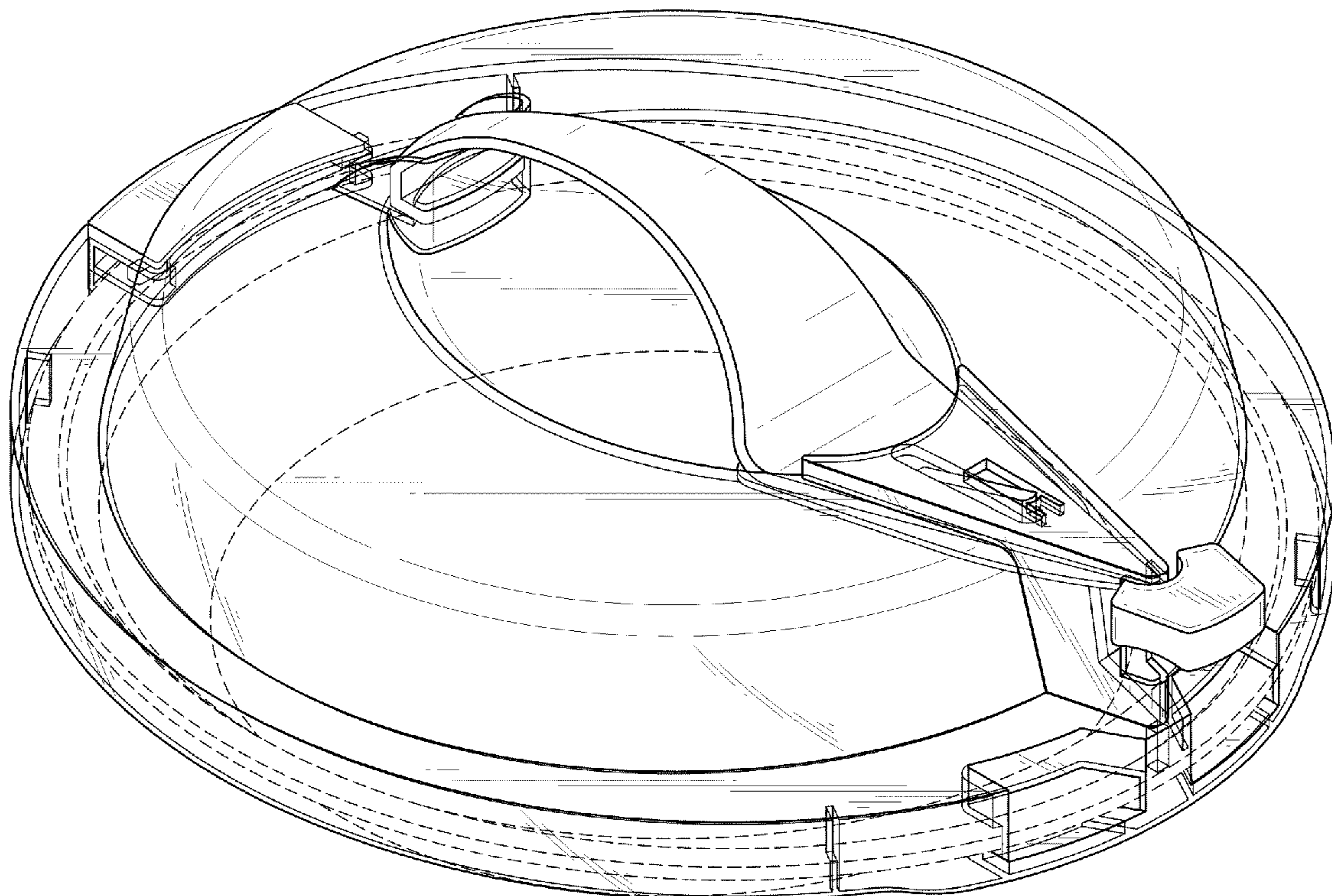
The ornamental design for a pie pan having removable pie server, as shown and described.

**DESCRIPTION**

FIG. 1 is a front, left, top perspective view of a pie pan having removable pie server showing my new design; FIG. 2 is a left side view thereof; FIG. 3 is a right side view thereof; FIG. 4 is a front view thereof; FIG. 5 is a rear view thereof; FIG. 6 is a top view thereof; and, FIG. 7 is a bottom view thereof.

The portions in the drawings illustrated in broken lines represent the environment of the design and therefore form no part of the claimed design.

**1 Claim, 7 Drawing Sheets**



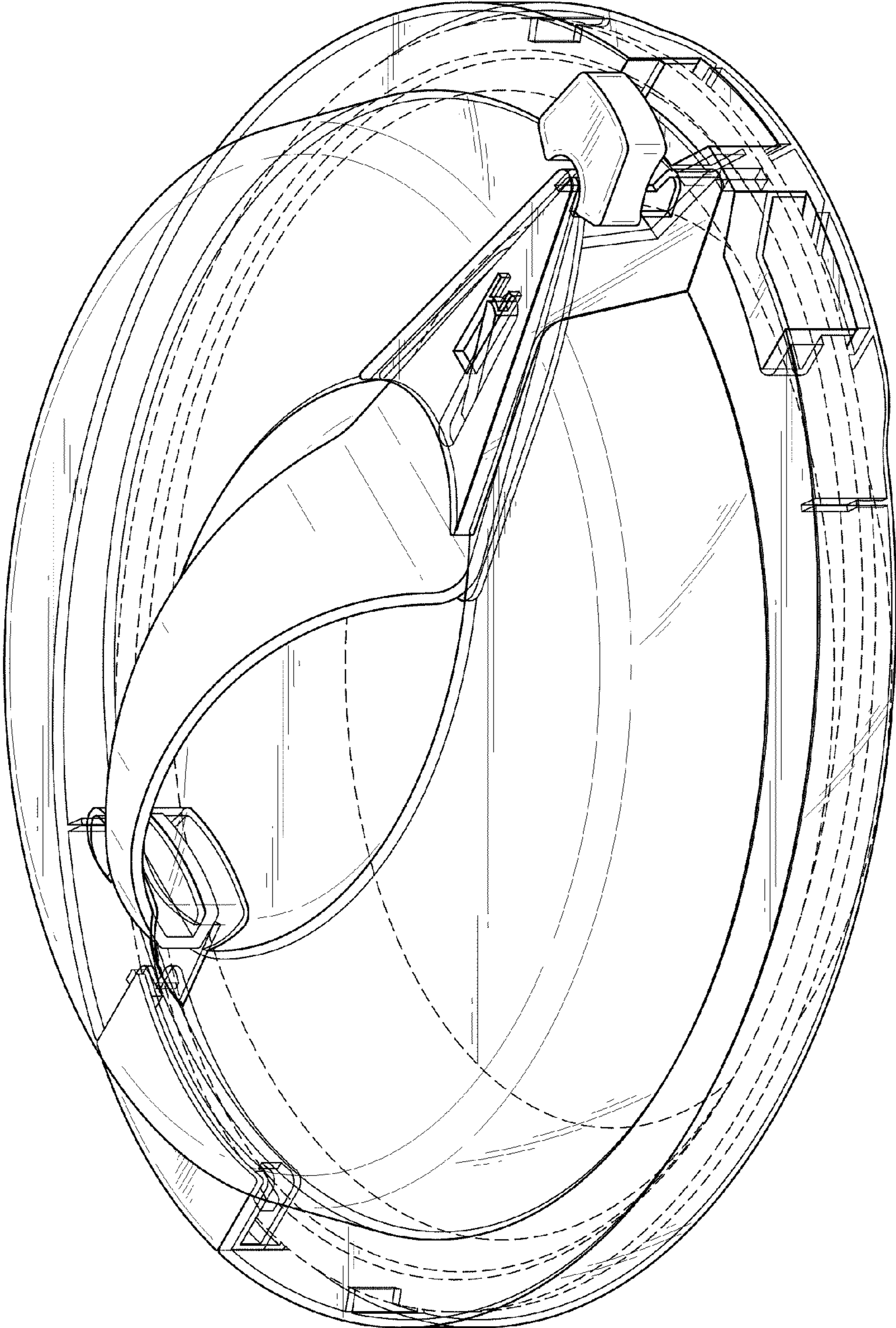


FIG.1

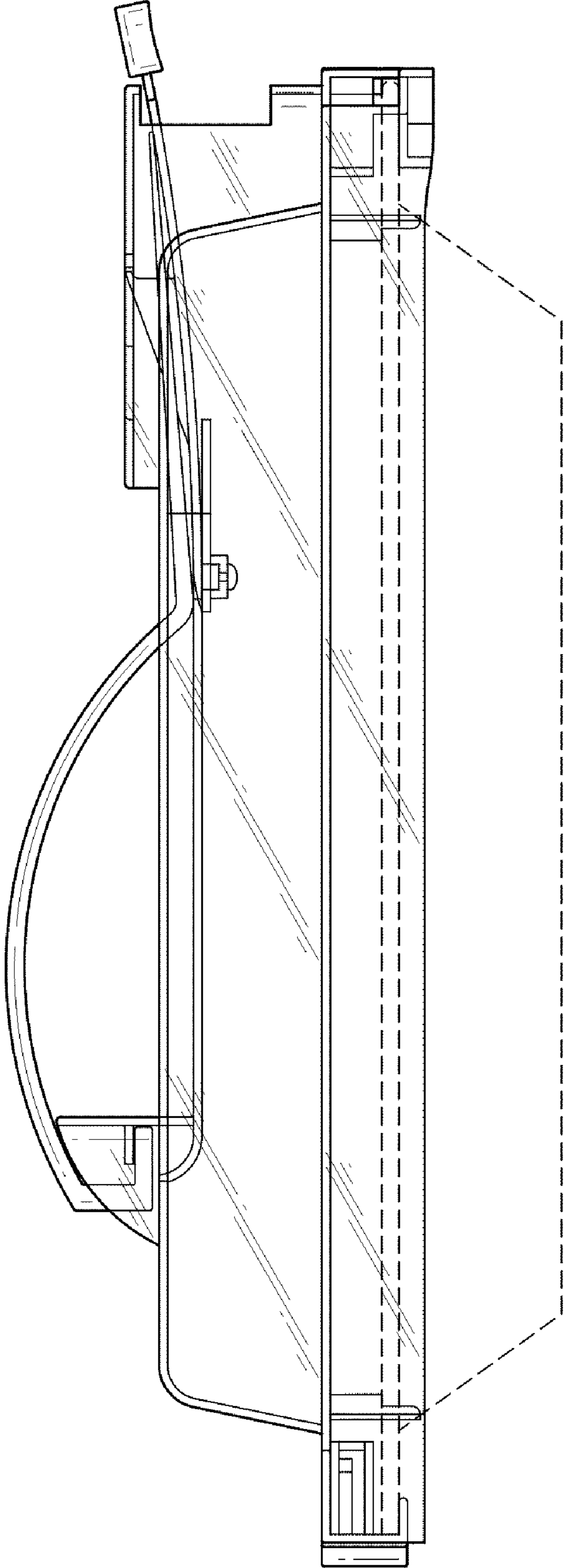


FIG. 2

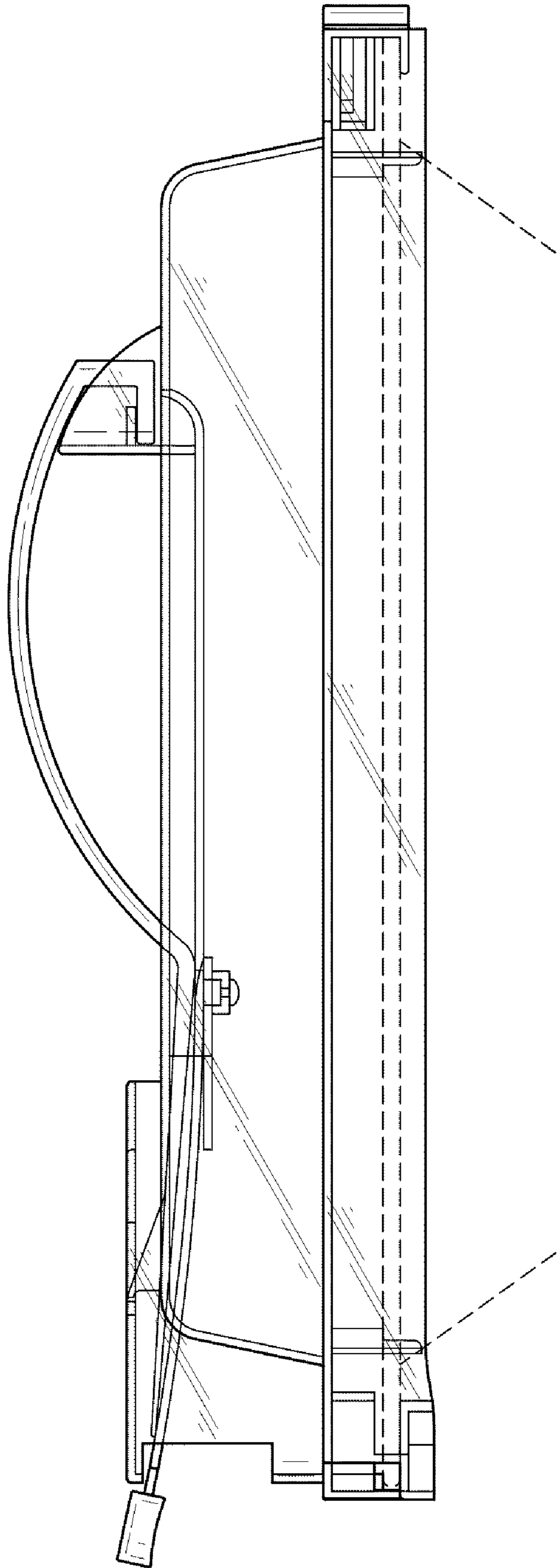


FIG. 3

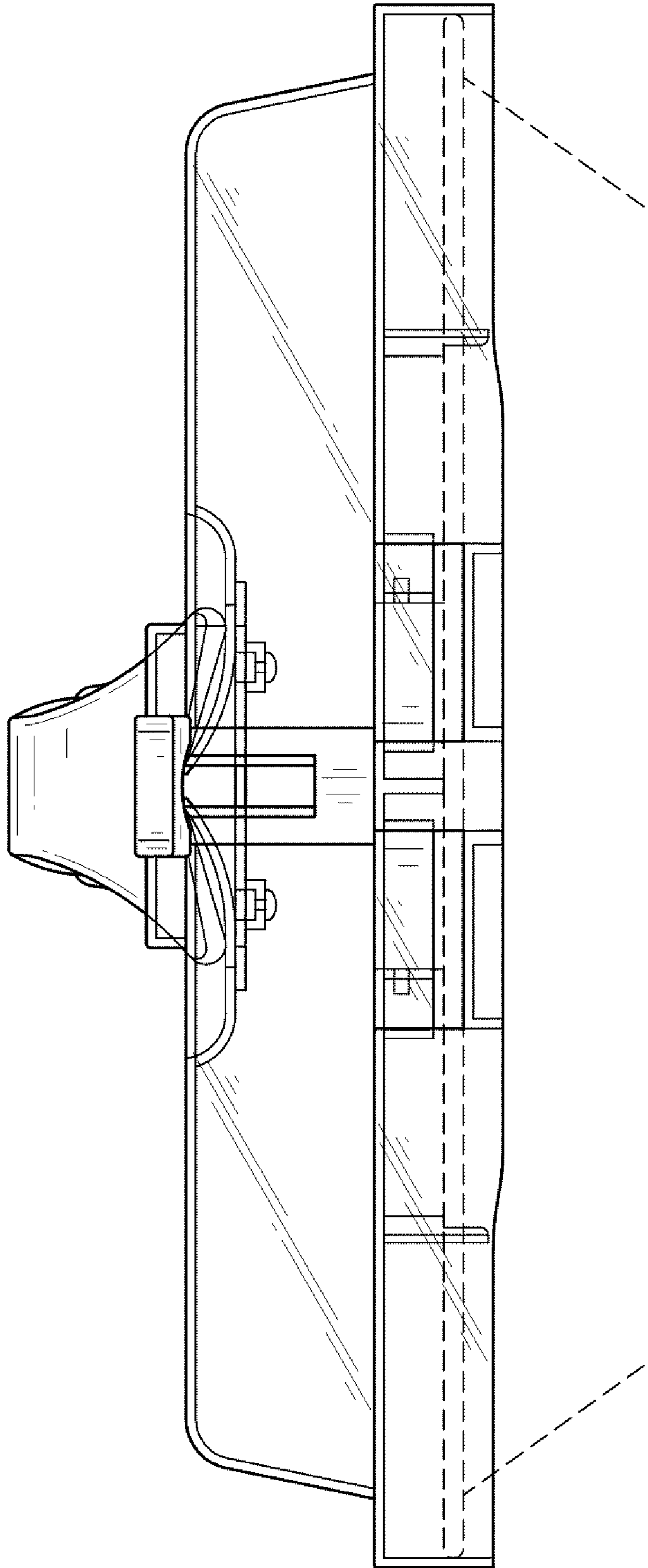


FIG. 4

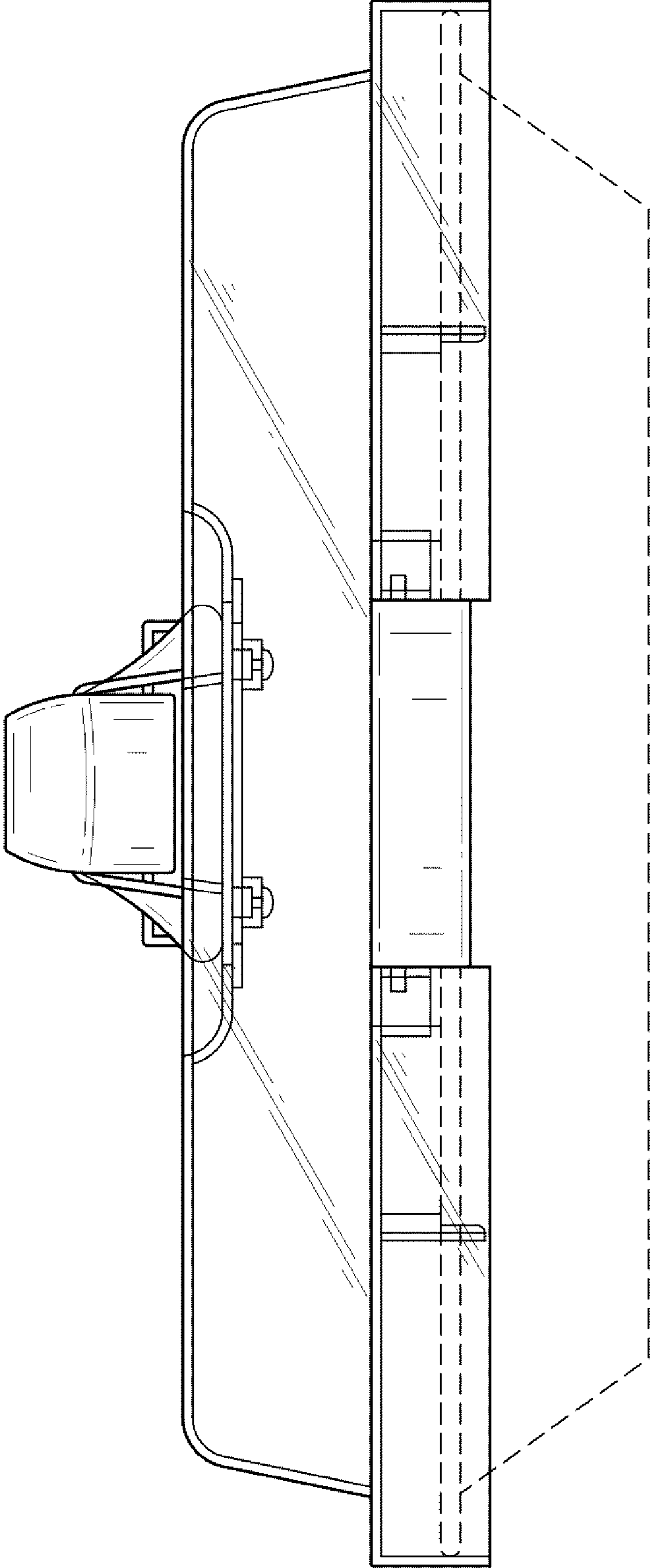


FIG. 5

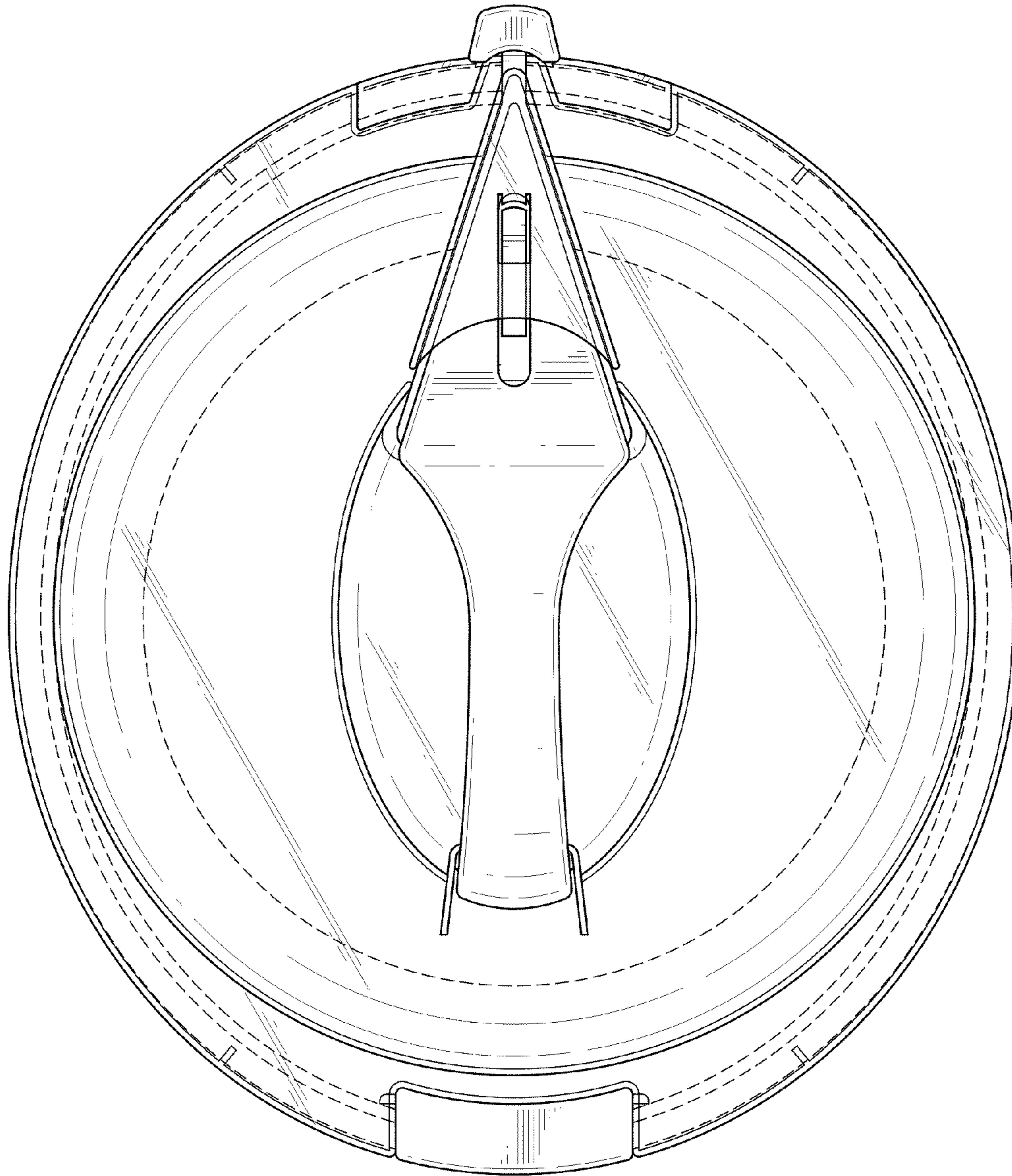


FIG.6

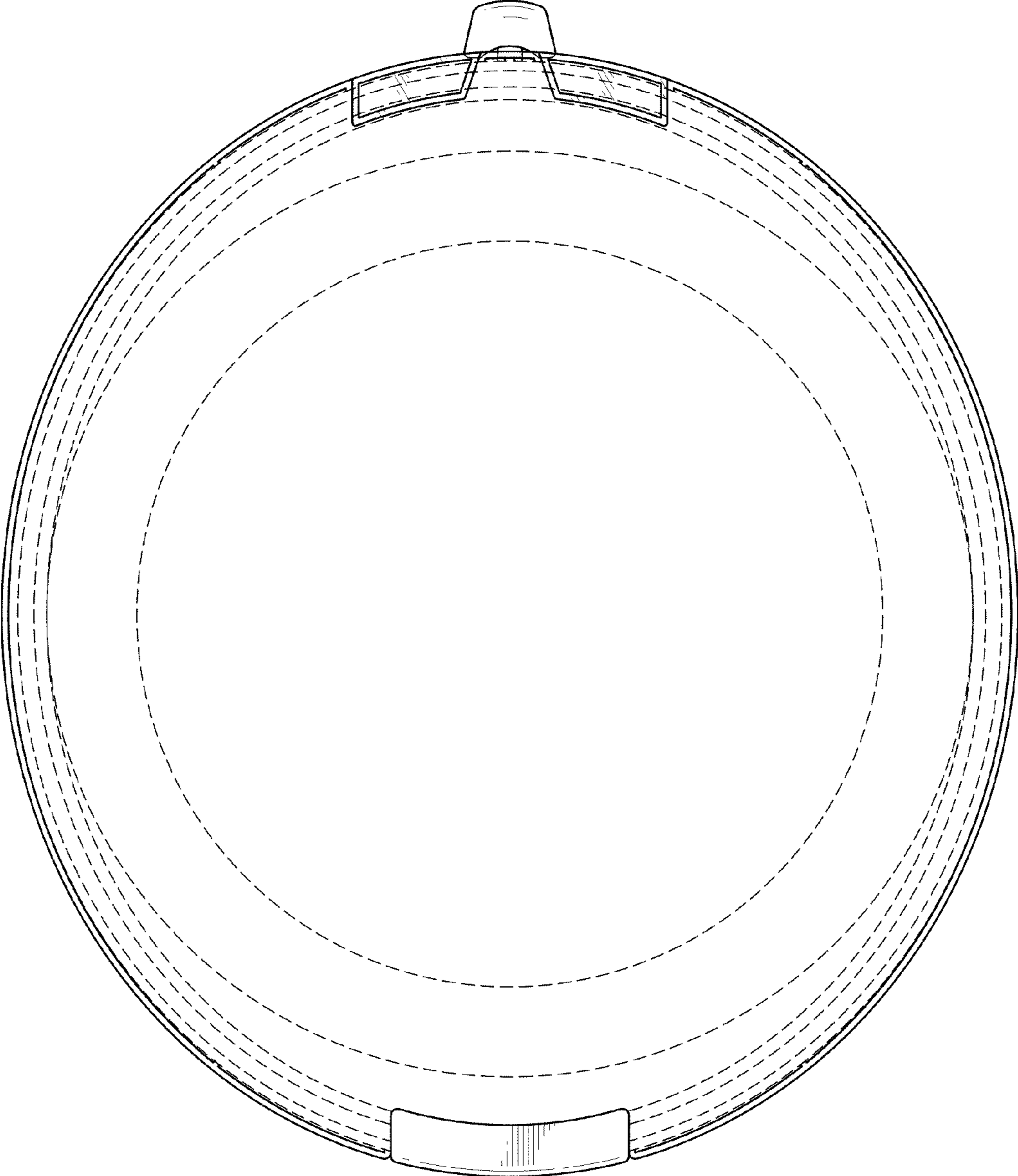


FIG. 7