

US00D639104S

(12) **United States Design Patent**
Duncan et al.

(10) **Patent No.:** **US D639,104 S**

(45) **Date of Patent:** **** Jun. 7, 2011**

(54) **COUNTERTOP OVEN**

(75) Inventors: **Terence M. Duncan**, Saint Joseph, MI (US); **Zachary A. Lownds**, Saint Joseph, MI (US)

(73) Assignee: **Whirlpool Corporation**, Benton Harbor, MI (US)

(**) Term: **14 Years**

(21) Appl. No.: **29/369,619**

(22) Filed: **Sep. 10, 2010**

(51) **LOC (9) Cl.** **07-02**

(52) **U.S. Cl.** **D7/350.1**

(58) **Field of Classification Search** D7/350.1, D7/350.3, 350.4, 351, 402, 405, 406; 219/756, 219/757, 758, 391; 126/19 M, 21 A, 275 E, 126/275 R; 99/352, 391, 385

See application file for complete search history.

(56) **References Cited**

U.S. PATENT DOCUMENTS

D380,643 S *	7/1997	Piret	D7/350.4
D412,637 S *	8/1999	Piret	D7/350.4
D415,926 S *	11/1999	De'Longhi	D7/350.4
D420,245 S *	2/2000	De'Longhi	D7/350.4
6,225,603 B1 *	5/2001	Wai	219/391
D446,418 S *	8/2001	Cruz	D7/350.4
D451,752 S *	12/2001	Davis et al.	D7/350.4
D461,091 S *	8/2002	Chen	D7/350.4

6,444,954 B1 *	9/2002	Blankenship	219/391
D476,846 S *	7/2003	Piret	D7/351
D481,582 S *	11/2003	Seum et al.	D7/350.1
6,960,742 B2 *	11/2005	Wei	219/391
D521,799 S *	5/2006	Ledingham et al.	D7/350.1
D587,959 S *	3/2009	Hensel	D7/350.1
D602,306 S *	10/2009	Lavy	D7/350.1
D614,906 S *	5/2010	Fiorotto	D7/350.1

* cited by examiner

Primary Examiner — Ruth McInroy

(74) *Attorney, Agent, or Firm* — Tara M. Hartman; Barnes & Thornberg, LLP

(57) **CLAIM**

We claim the ornamental design for a countertop oven, as shown and described.

DESCRIPTION

FIG. 1 is a front perspective view of a countertop oven showing our new design;

FIG. 2 is a front elevation view thereof;

FIG. 3 is a left side elevation view thereof;

FIG. 4 is a right side elevation view thereof;

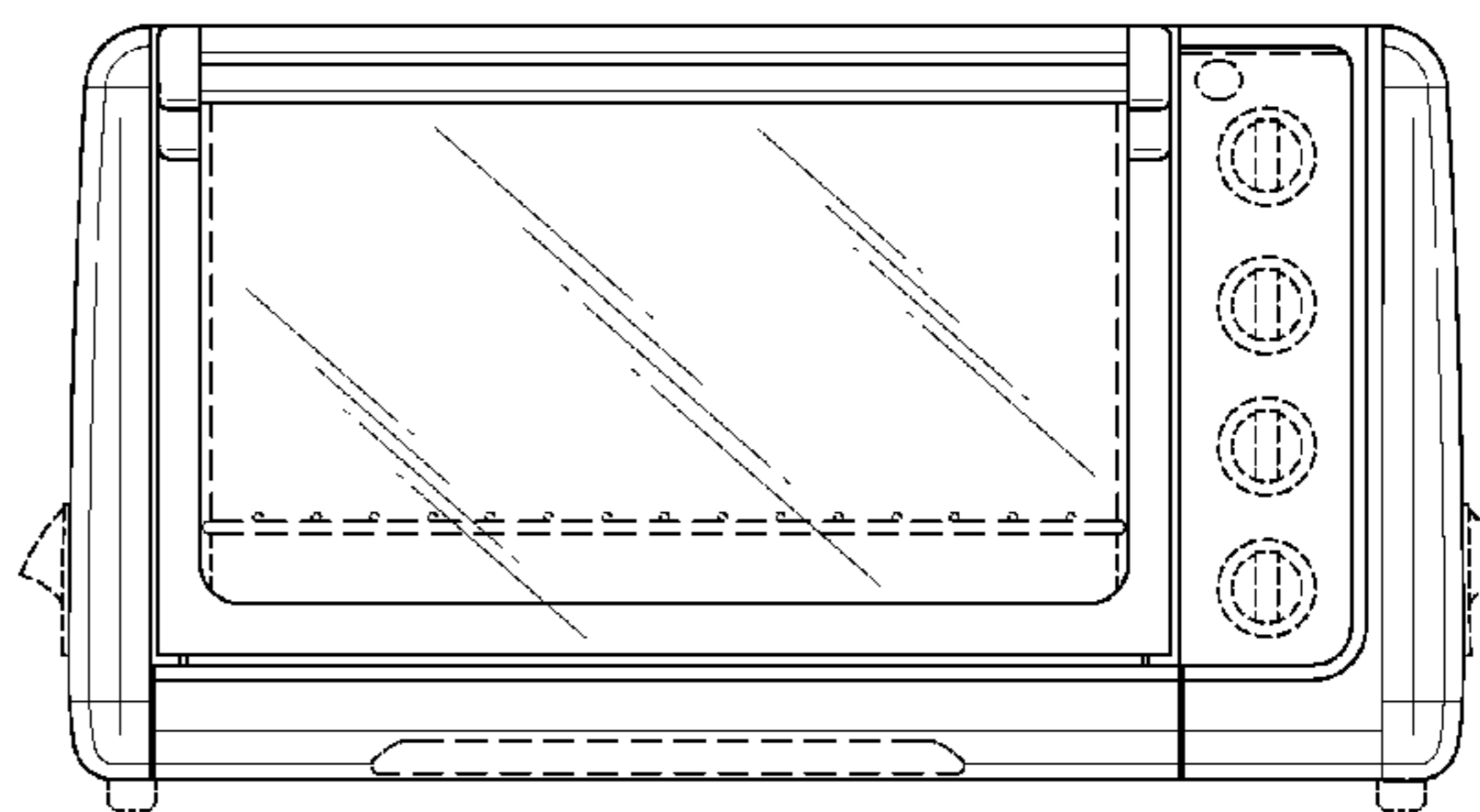
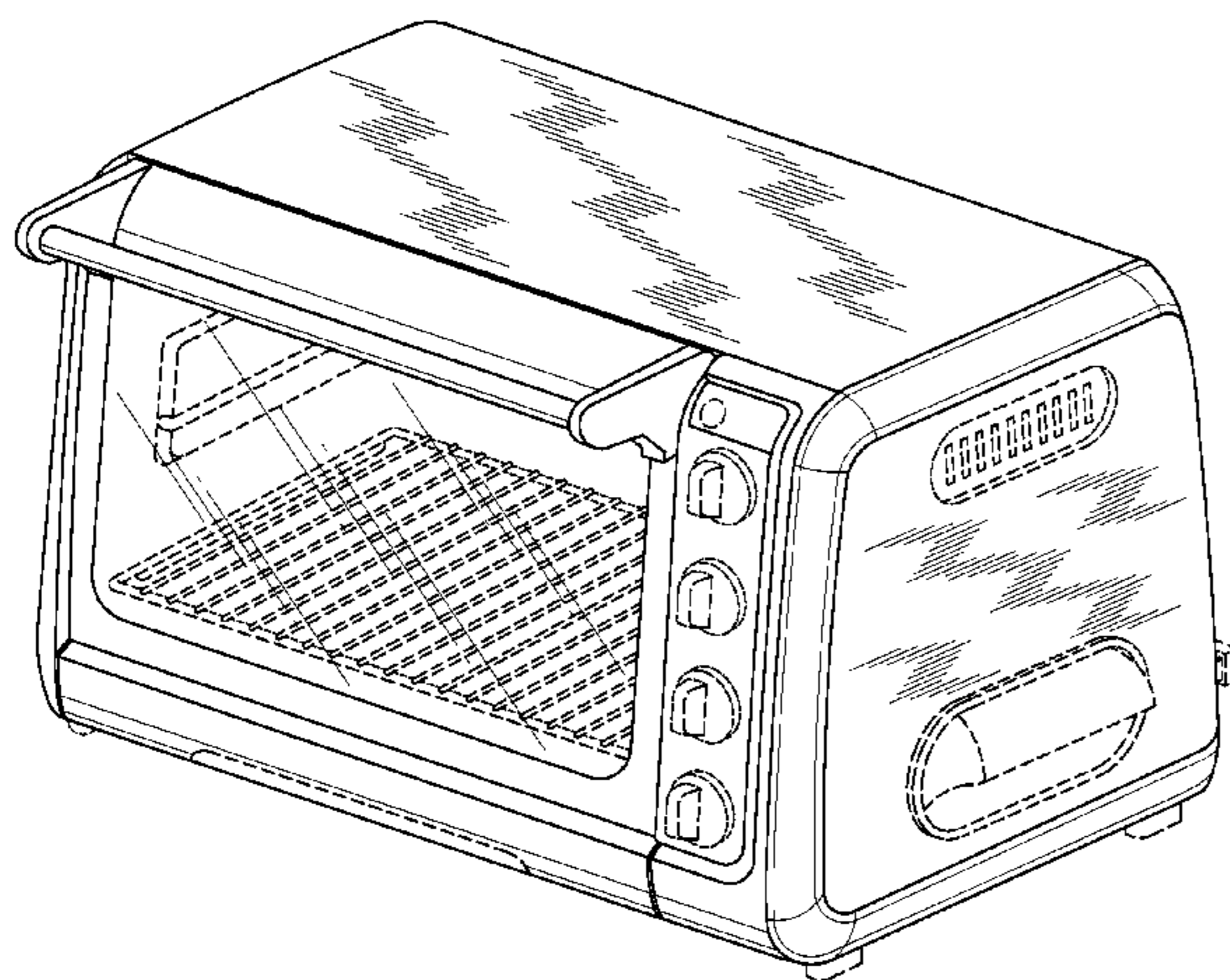
FIG. 5 is a rear elevation view thereof;

FIG. 6 is a top plan view thereof; and,

FIG. 7 is a bottom plan view thereof.

The portion shown in broken lines is for illustrative purposes only and forms no part of the claimed design.

1 Claim, 6 Drawing Sheets



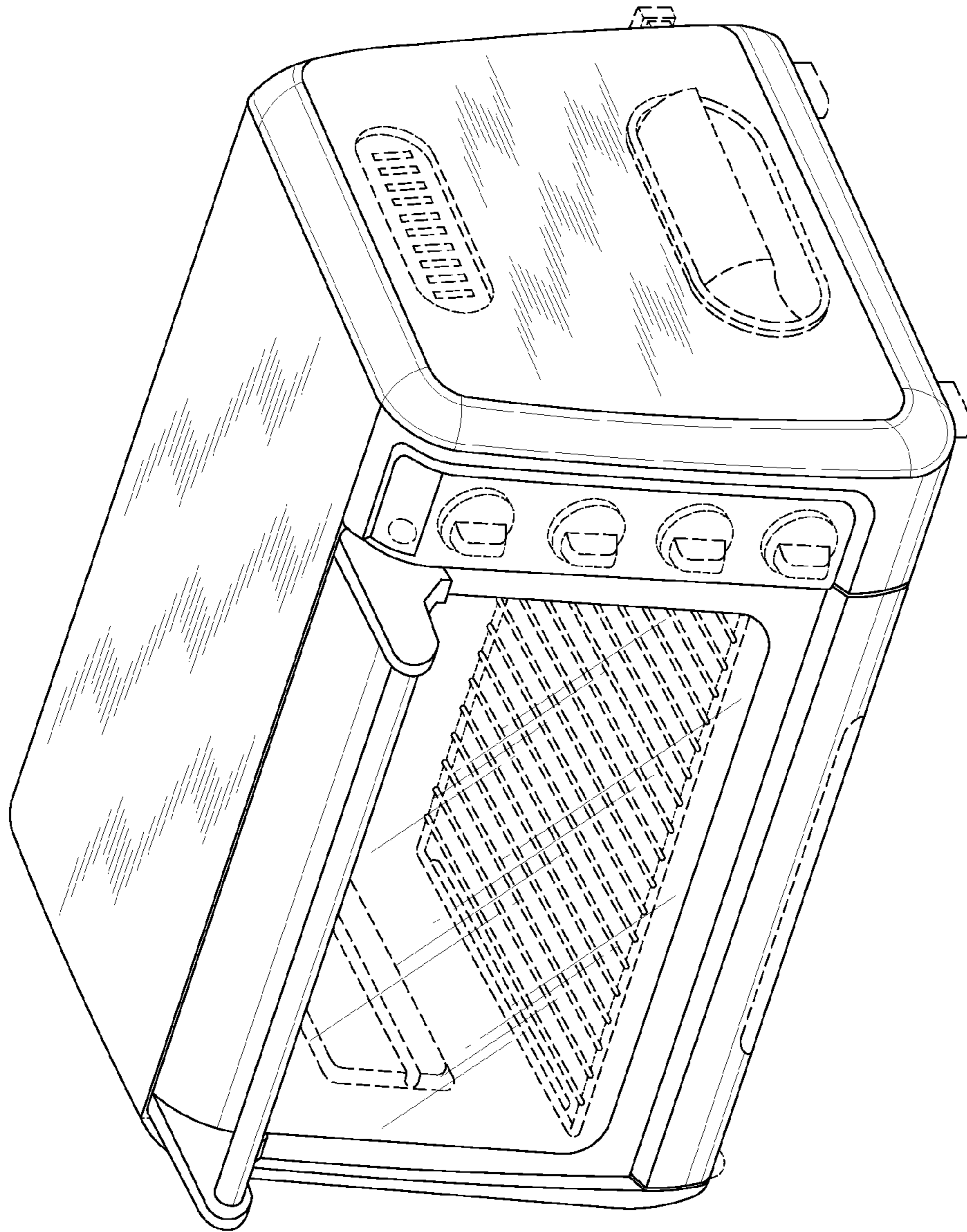


Fig. 1

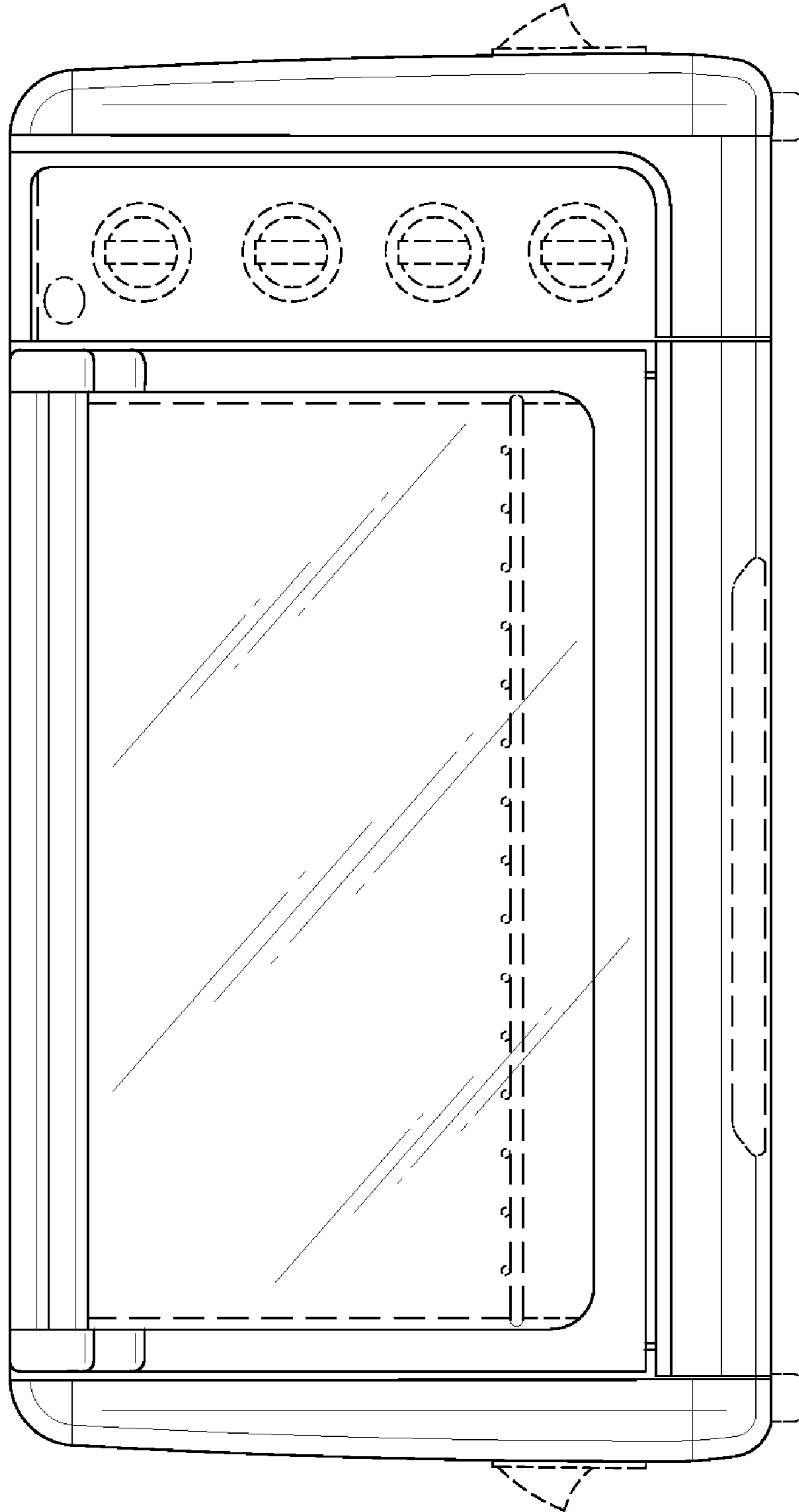


Fig. 2

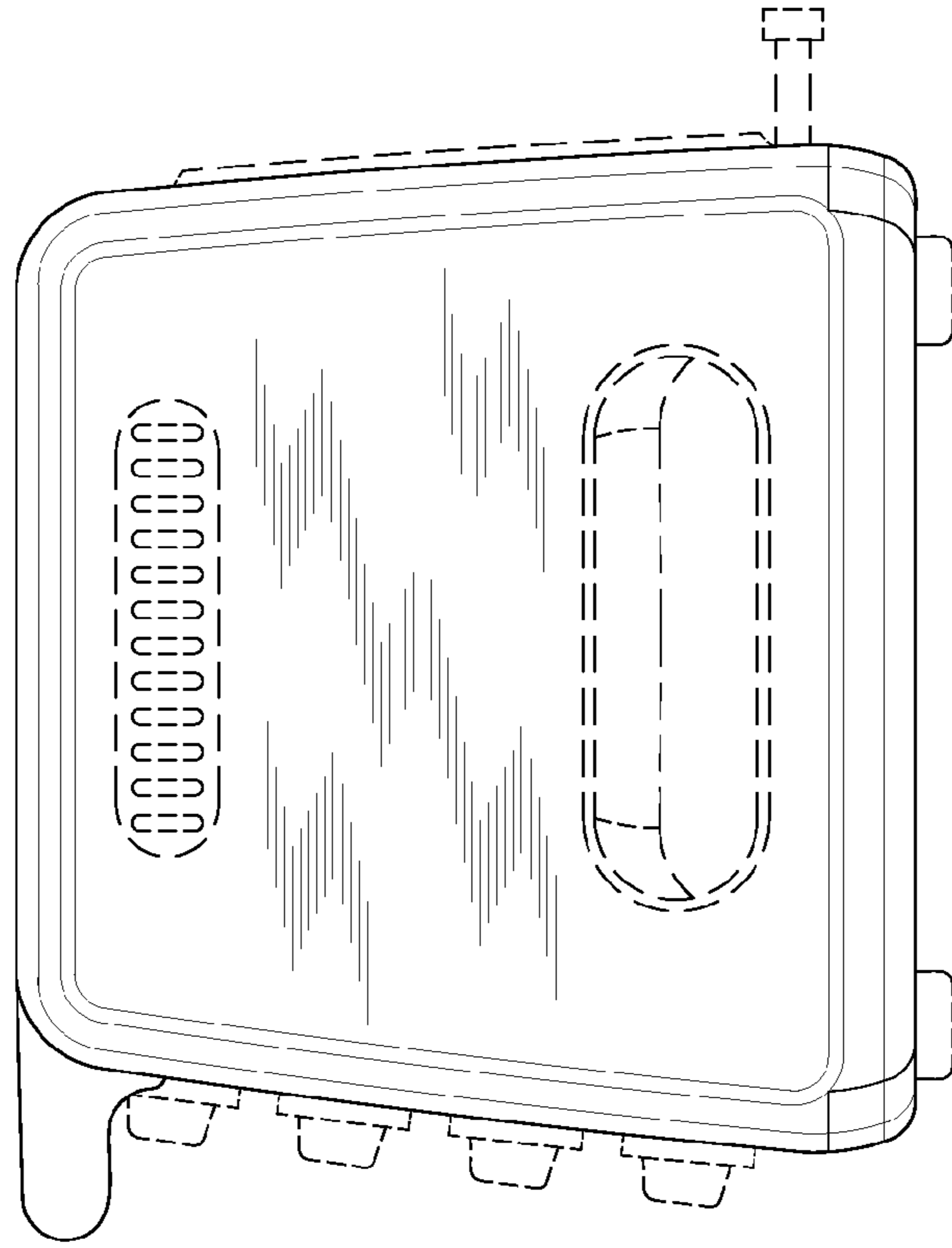


Fig. 4

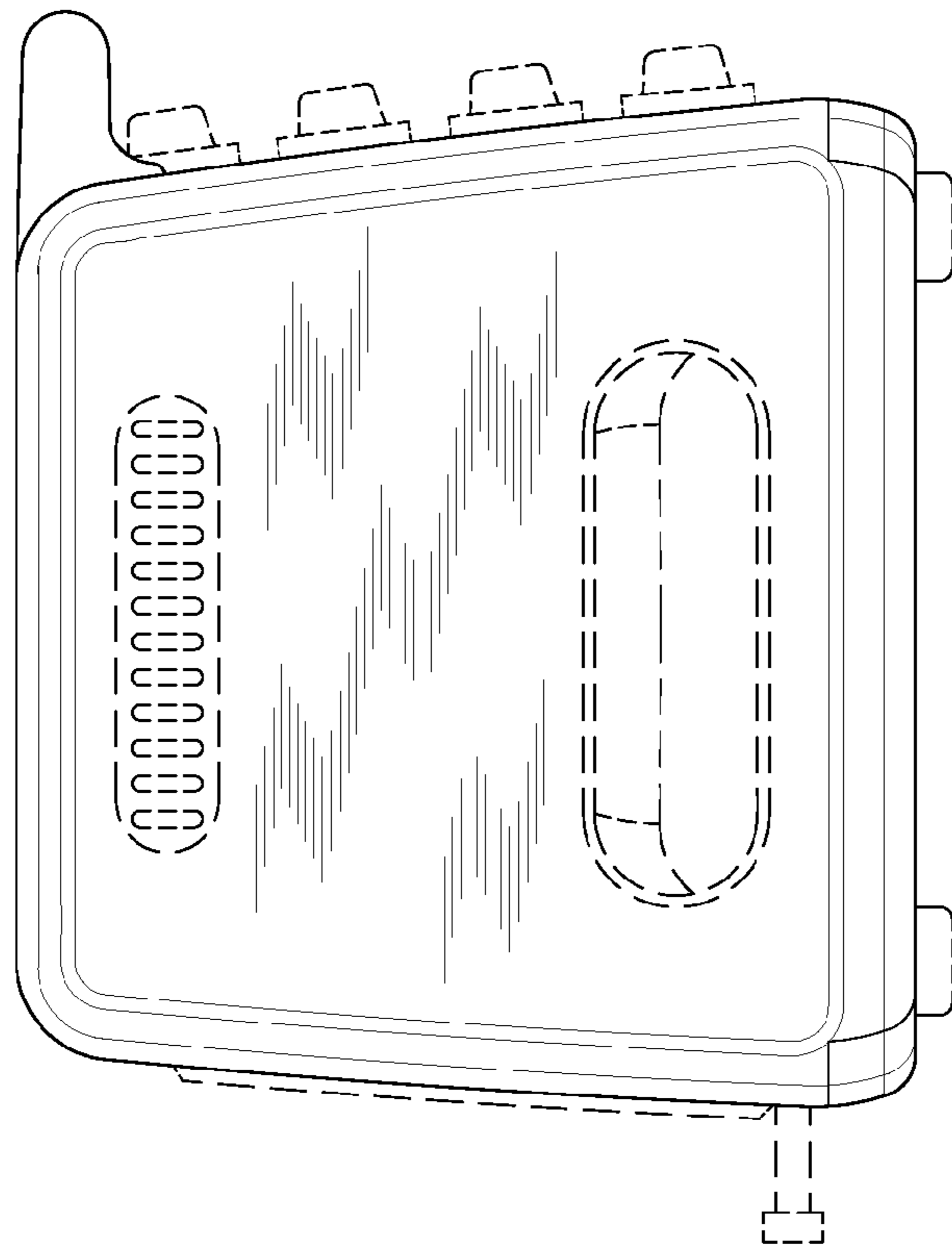


Fig. 3

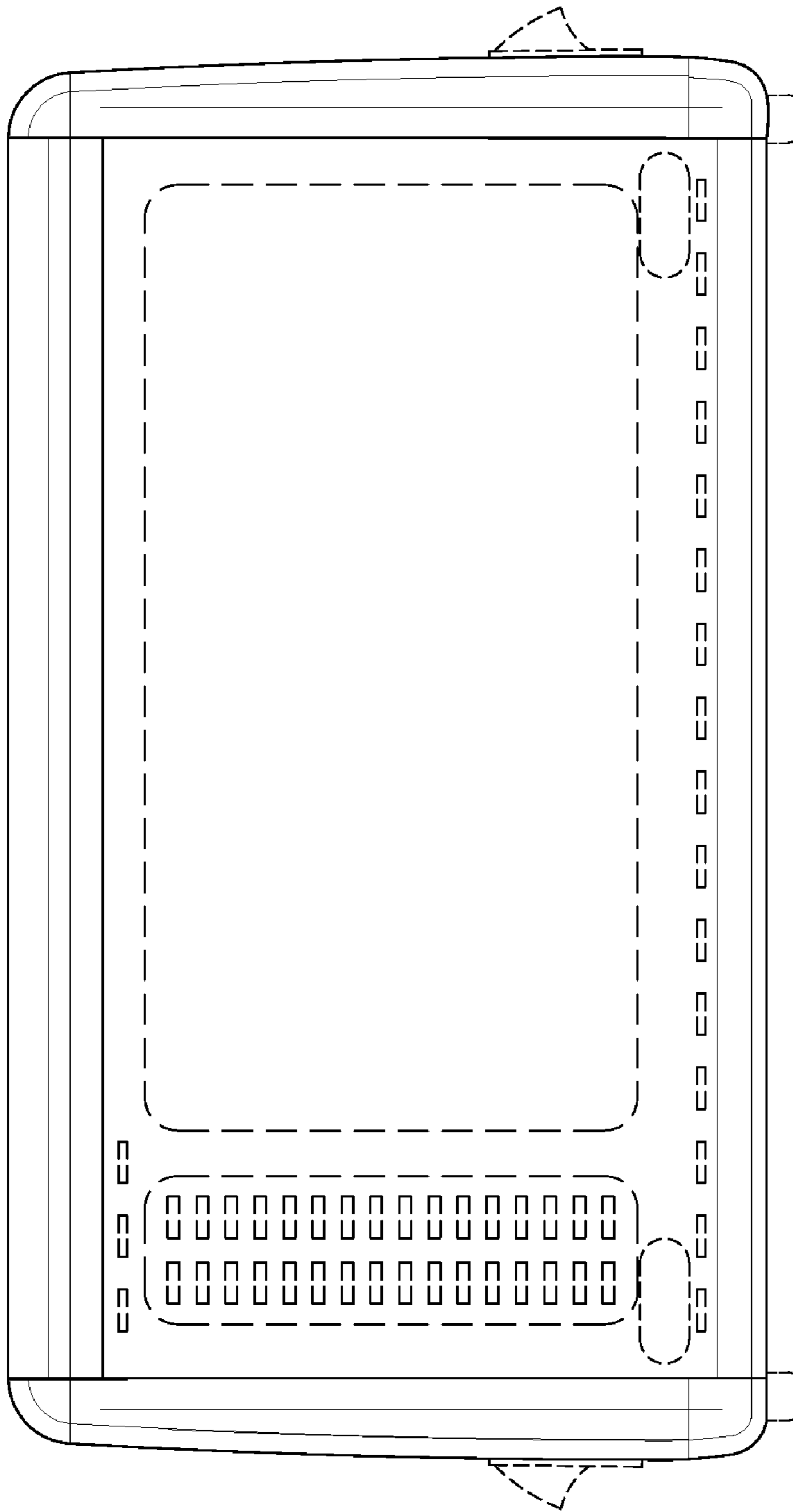


Fig. 5

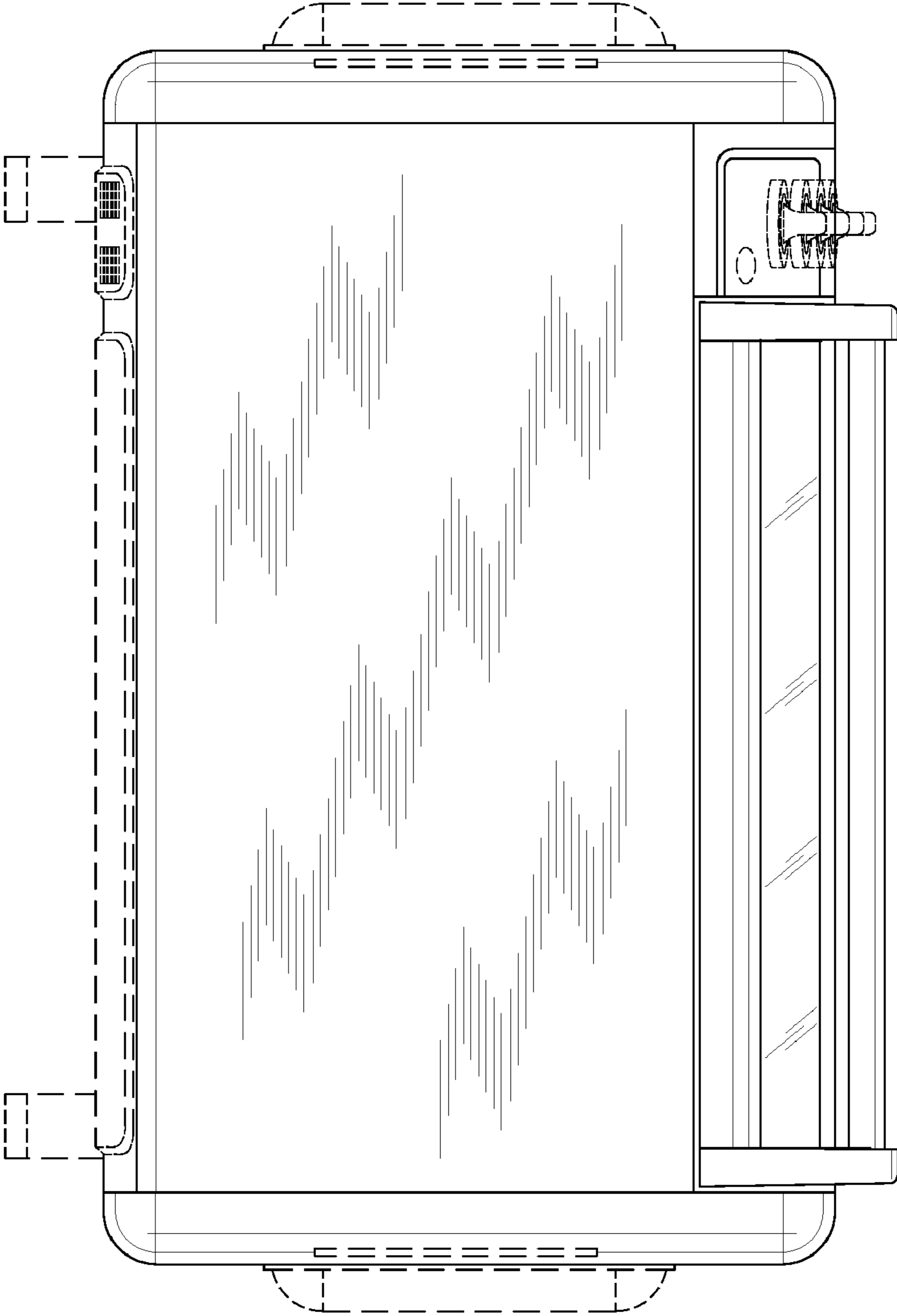


Fig. 6

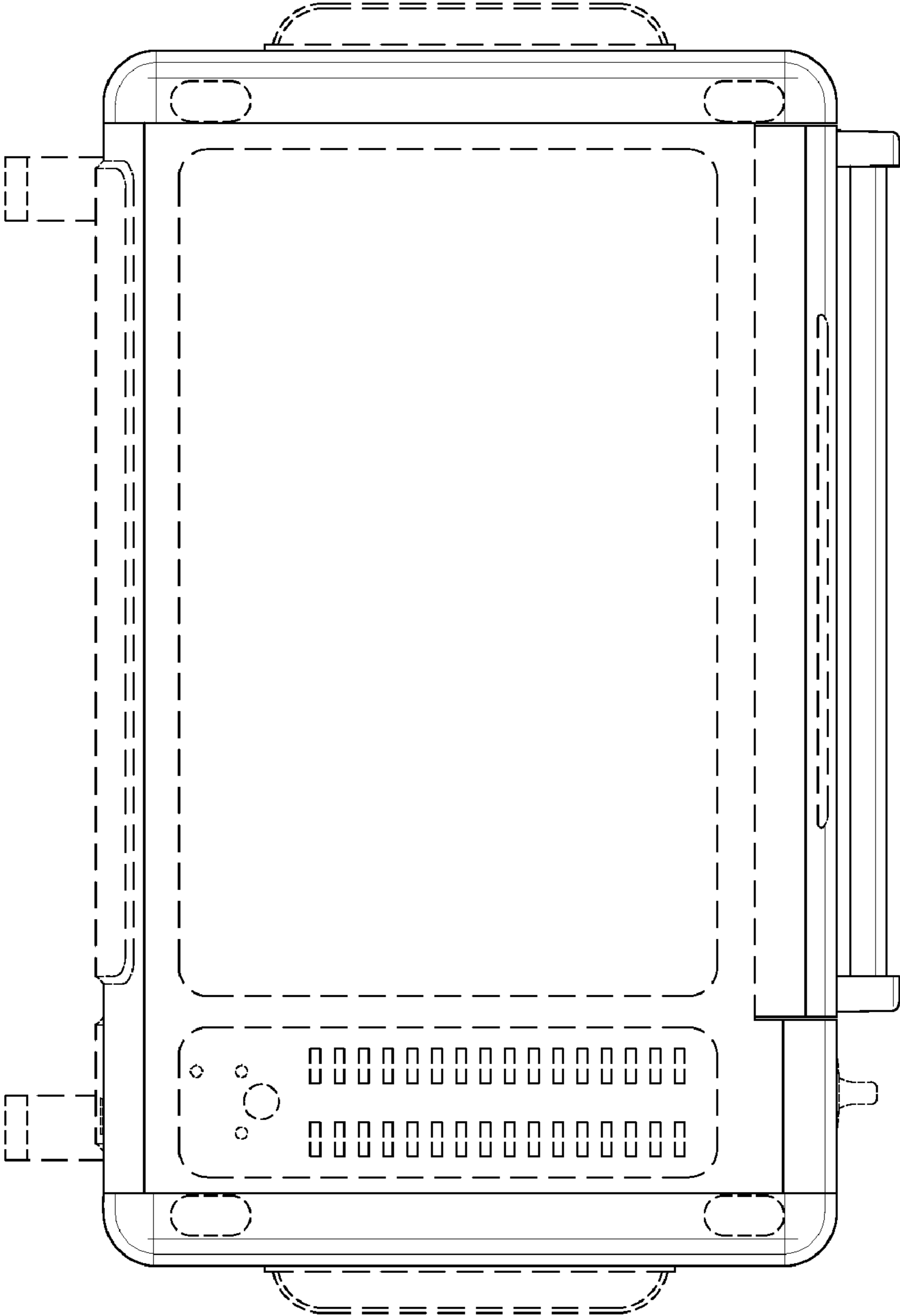


Fig. 7