



US00D639103S

(12) **United States Design Patent**  
**Eisenmann**

(10) **Patent No.:** **US D639,103 S**

(45) **Date of Patent:** **\*\* Jun. 7, 2011**

(54) **GRILL APPARATUS**

(76) Inventor: **Harry E. Eisenmann**, Bloomington, IL  
(US)

(\*\*) Term: **14 Years**

(21) Appl. No.: **29/367,792**

(22) Filed: **Aug. 13, 2010**

(51) **LOC (9) Cl.** ..... **07-02**

(52) **U.S. Cl.** ..... **D7/332**

(58) **Field of Classification Search** ..... D7/332-337,  
D7/402-404; 126/25 R, 25 A, 25 B, 41 R,  
126/39-30, 9 R, 8, 38, 4, 268, 276, 40, 50,  
126/506; 99/481-482, 448

See application file for complete search history.

(56) **References Cited**

**U.S. PATENT DOCUMENTS**

3,734,076	A	5/1973	Kiziol	
4,676,221	A	6/1987	Baynes et al.	
D373,047	S	8/1996	McCrary et al.	
D418,004	S	12/1999	Taylor, Jr.	
D418,359	S *	1/2000	Taylor, Jr.	D7/332
D421,200	S	2/2000	Taylor, Jr.	
D430,990	S *	9/2000	Cragg	D7/402

D439,793	S *	4/2001	Mak	D7/332
6,298,774	B1	10/2001	Latham et al.	
D465,124	S *	11/2002	Favela	D7/334
D465,379	S *	11/2002	Favela	D7/332
D465,380	S *	11/2002	Favela	D7/334
6,742,513	B1	6/2004	Ball et al.	
D537,669	S	3/2007	Loving	
D563,146	S *	3/2008	Henry	D7/334

\* cited by examiner

*Primary Examiner* — Ruth McInroy

(57) **CLAIM**

The ornamental design for a grill apparatus, as shown and described.

**DESCRIPTION**

FIG. 1 is a front elevation view of a grill apparatus showing my new design;

FIG. 2 is a rear side elevation view thereof;

FIG. 3 is a right side elevation view thereof;

FIG. 4 is a left side elevation view thereof;

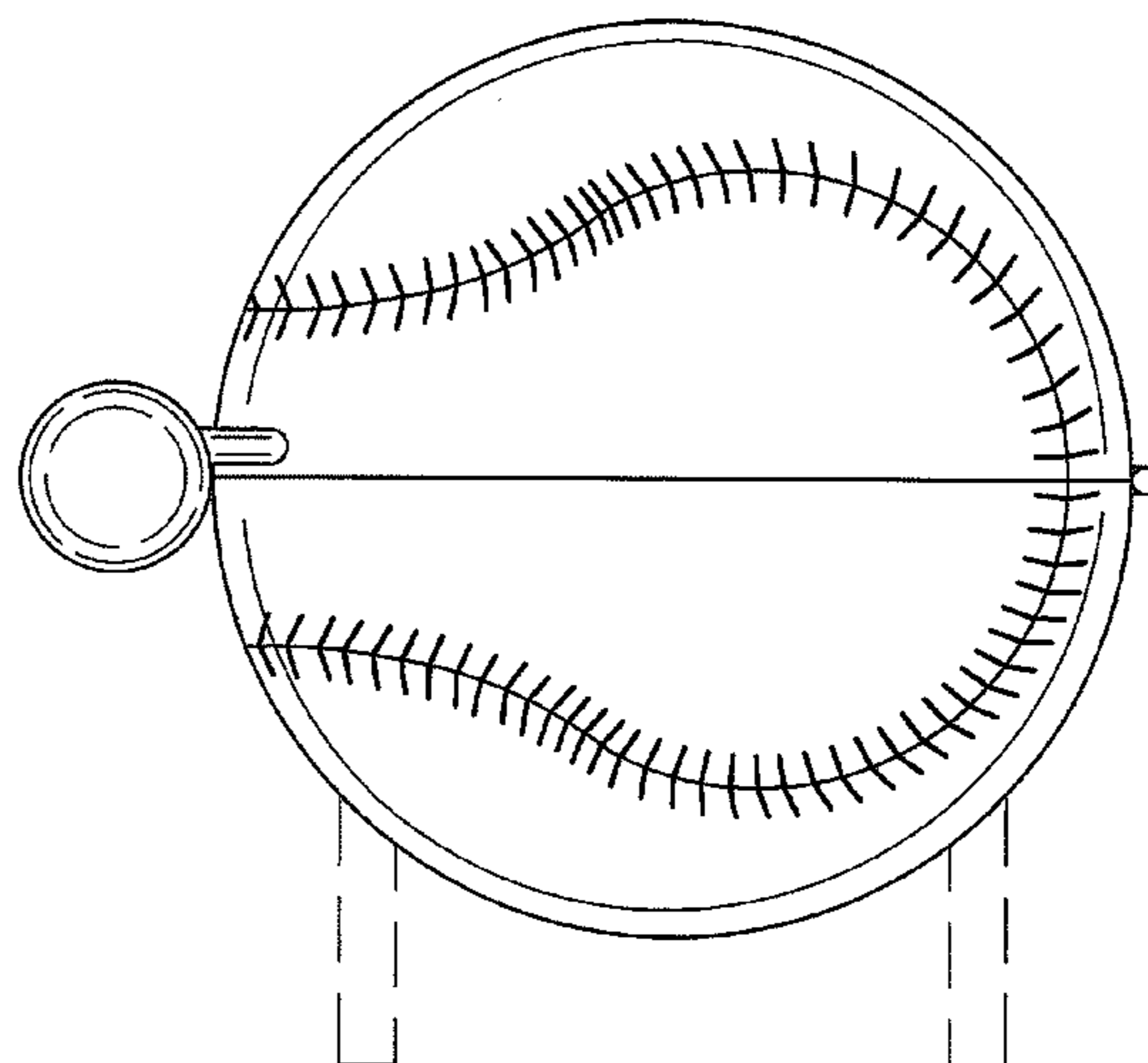
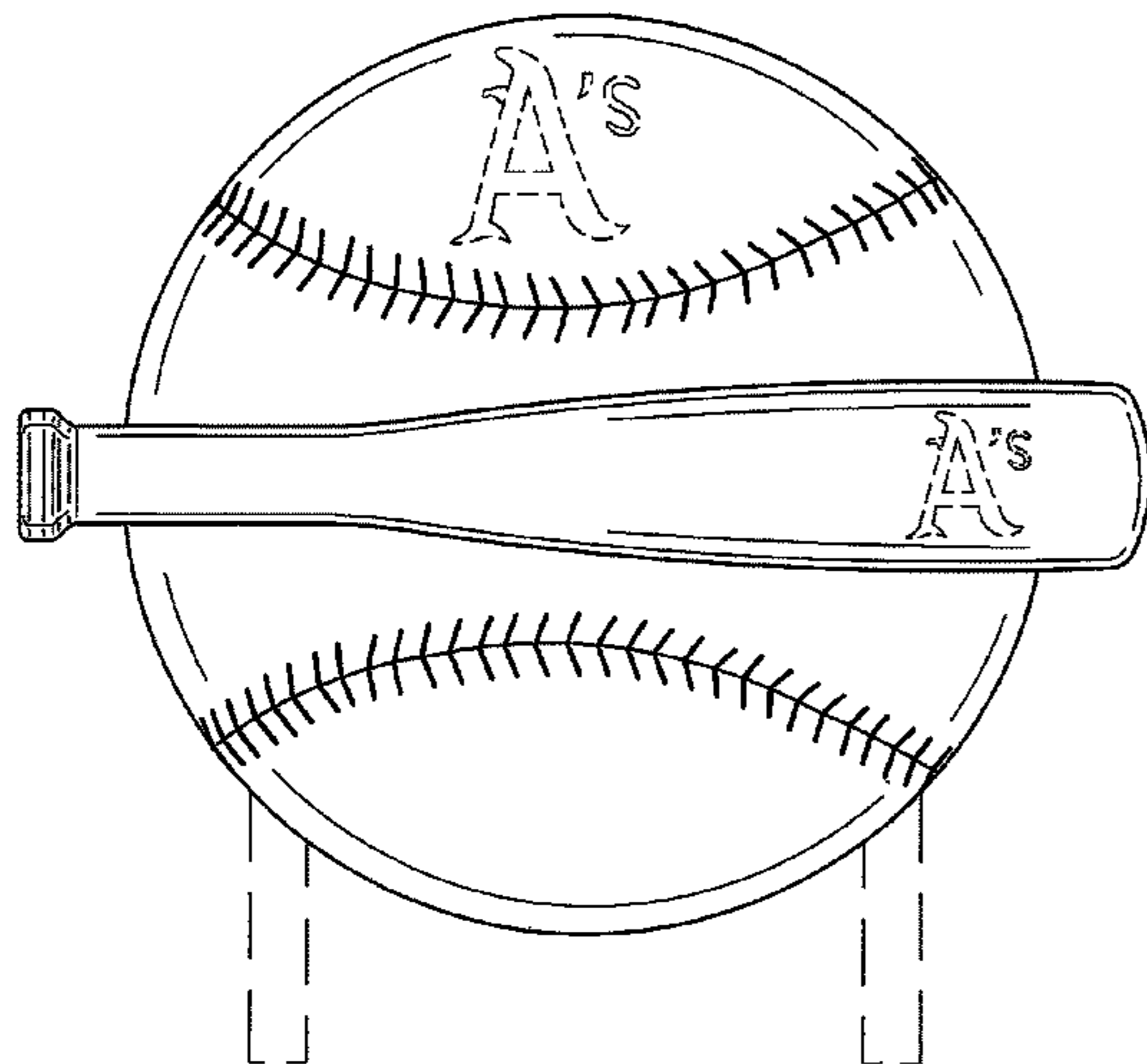
FIG. 5 is a top plan view thereof;

FIG. 6 is a bottom plan view thereof; and,

FIG. 7 is a perspective view thereof.

The details shown in broken lines form no part of the claimed design.

**1 Claim, 7 Drawing Sheets**



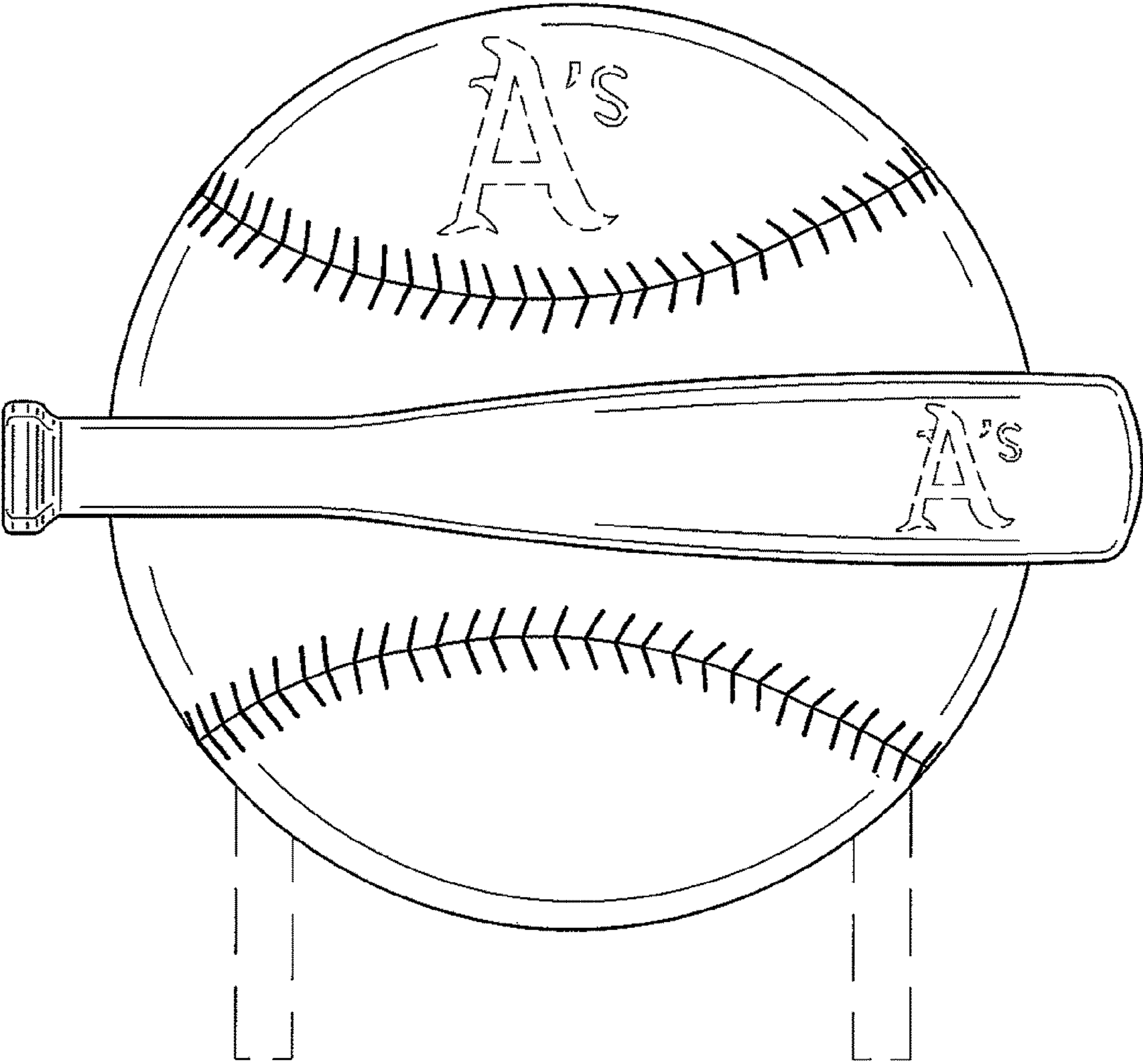


FIG. 1

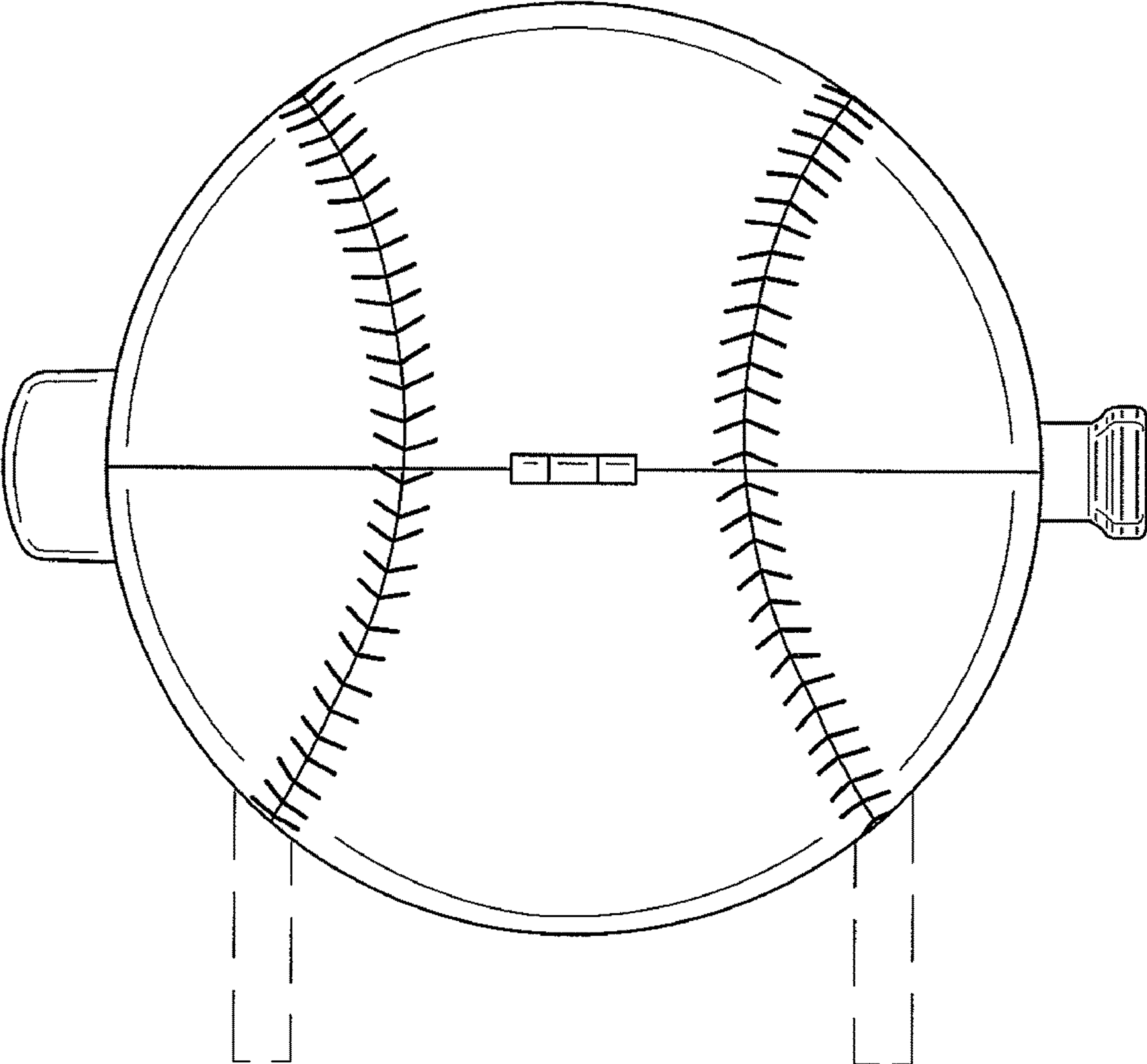


FIG. 2

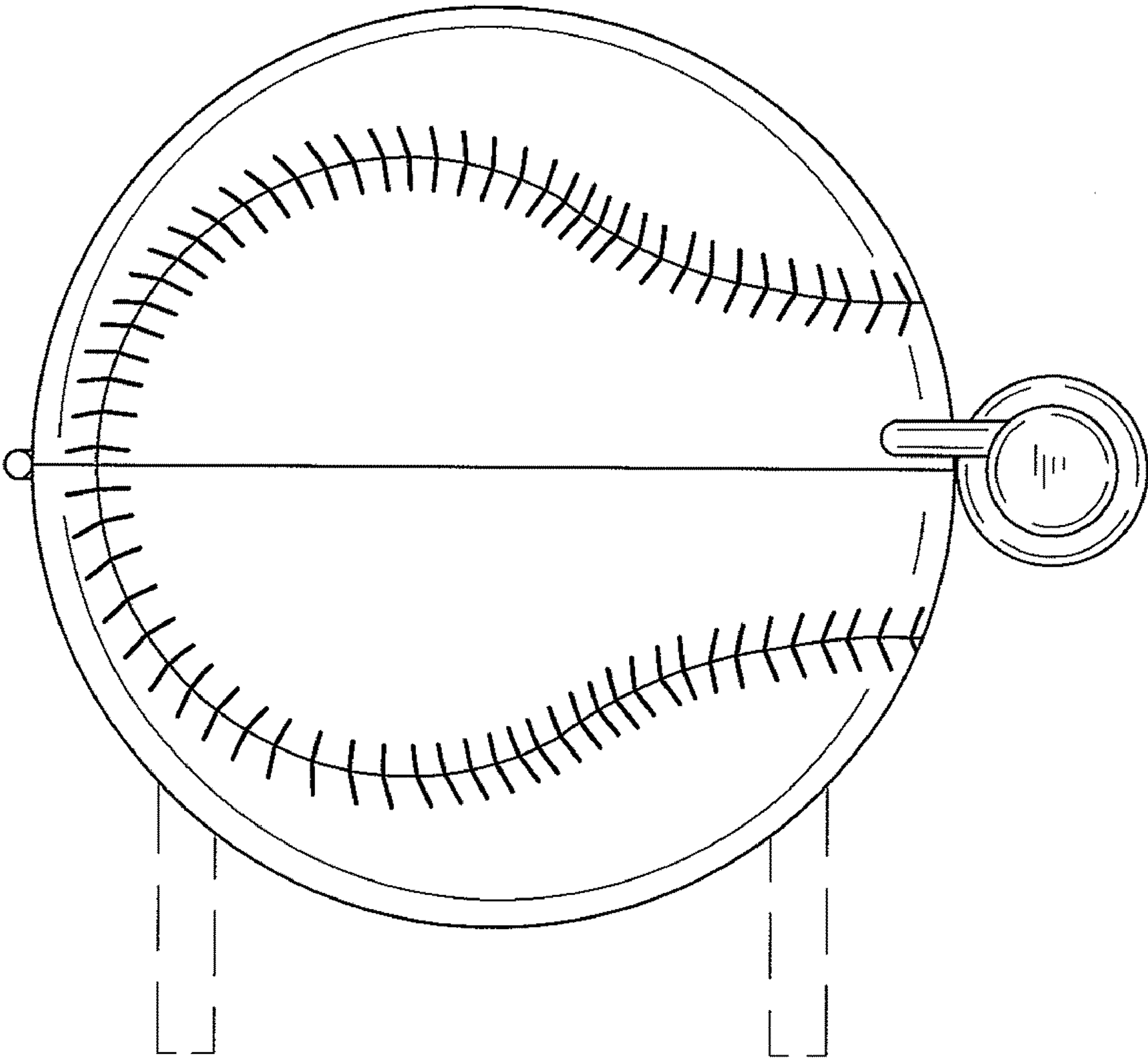


FIG. 3

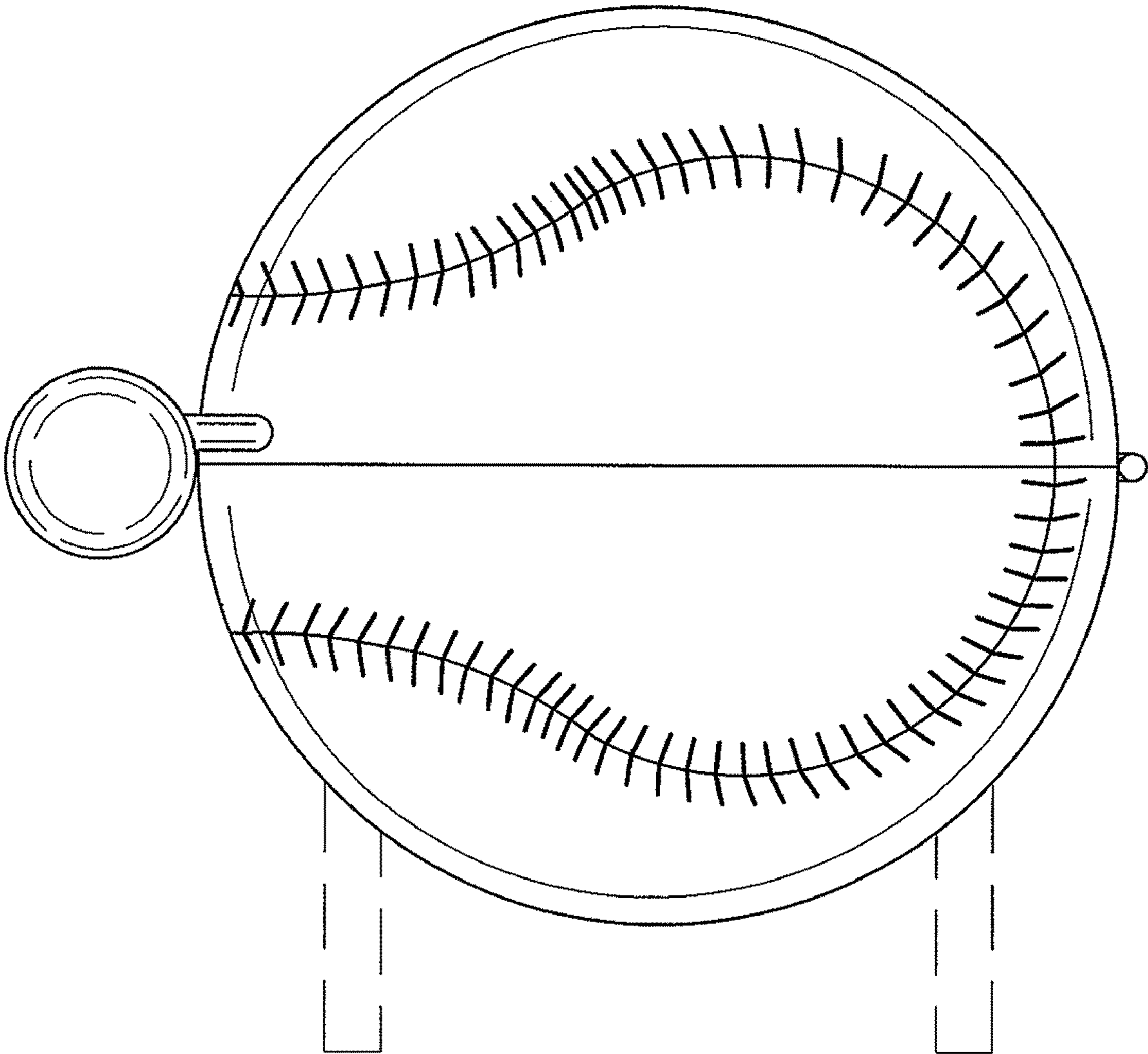


FIG. 4



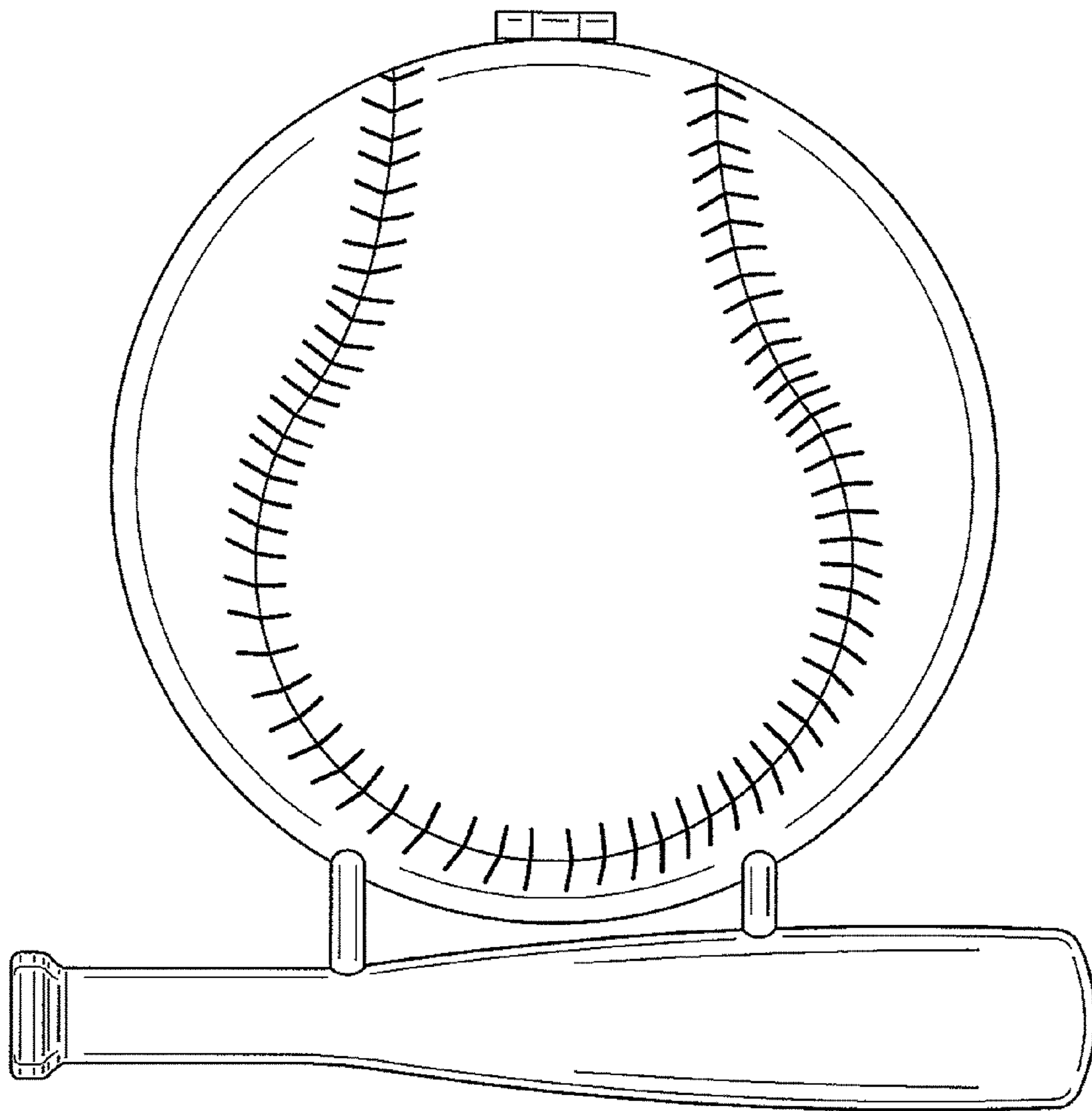


FIG. 5

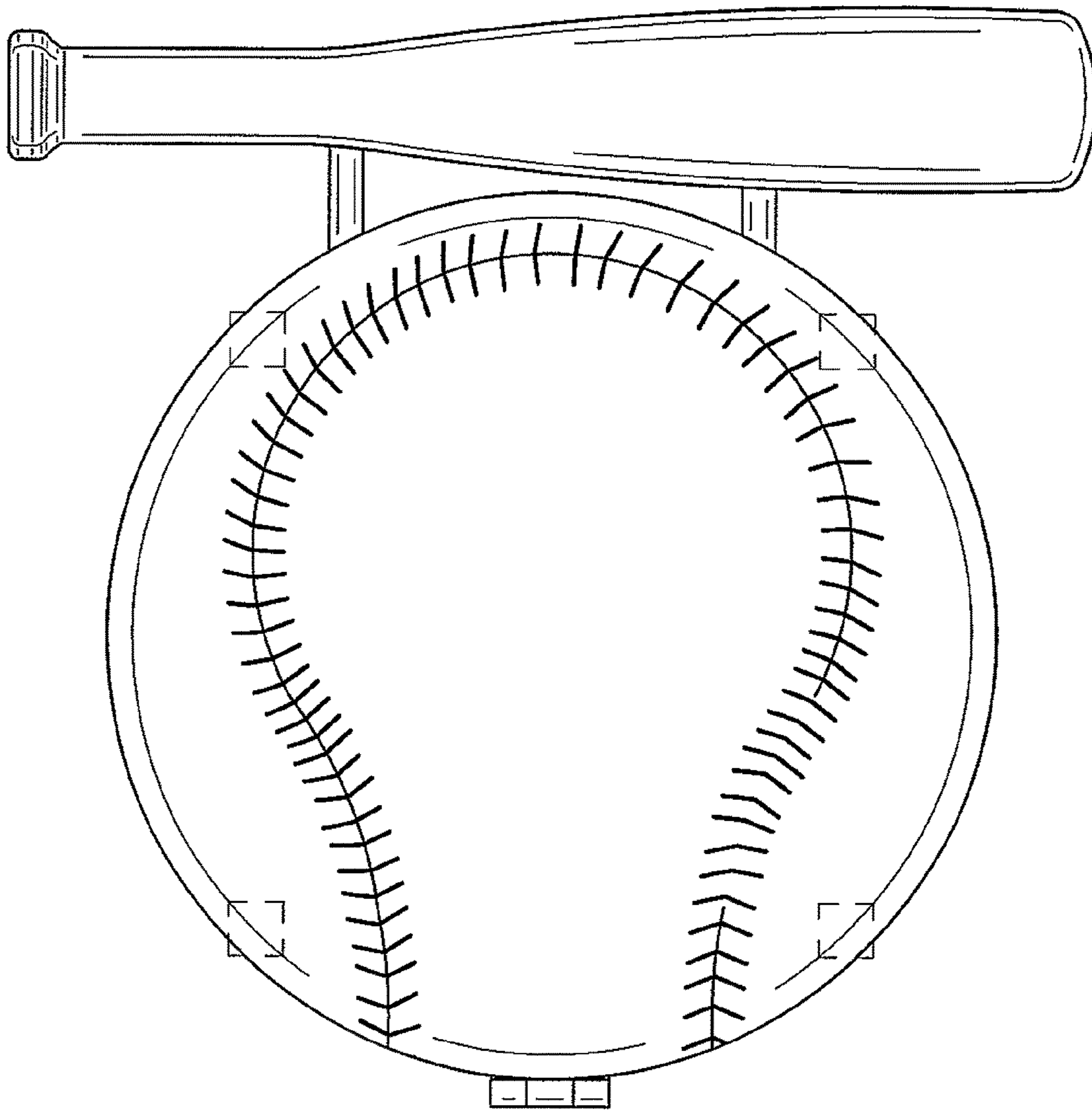


FIG. 6

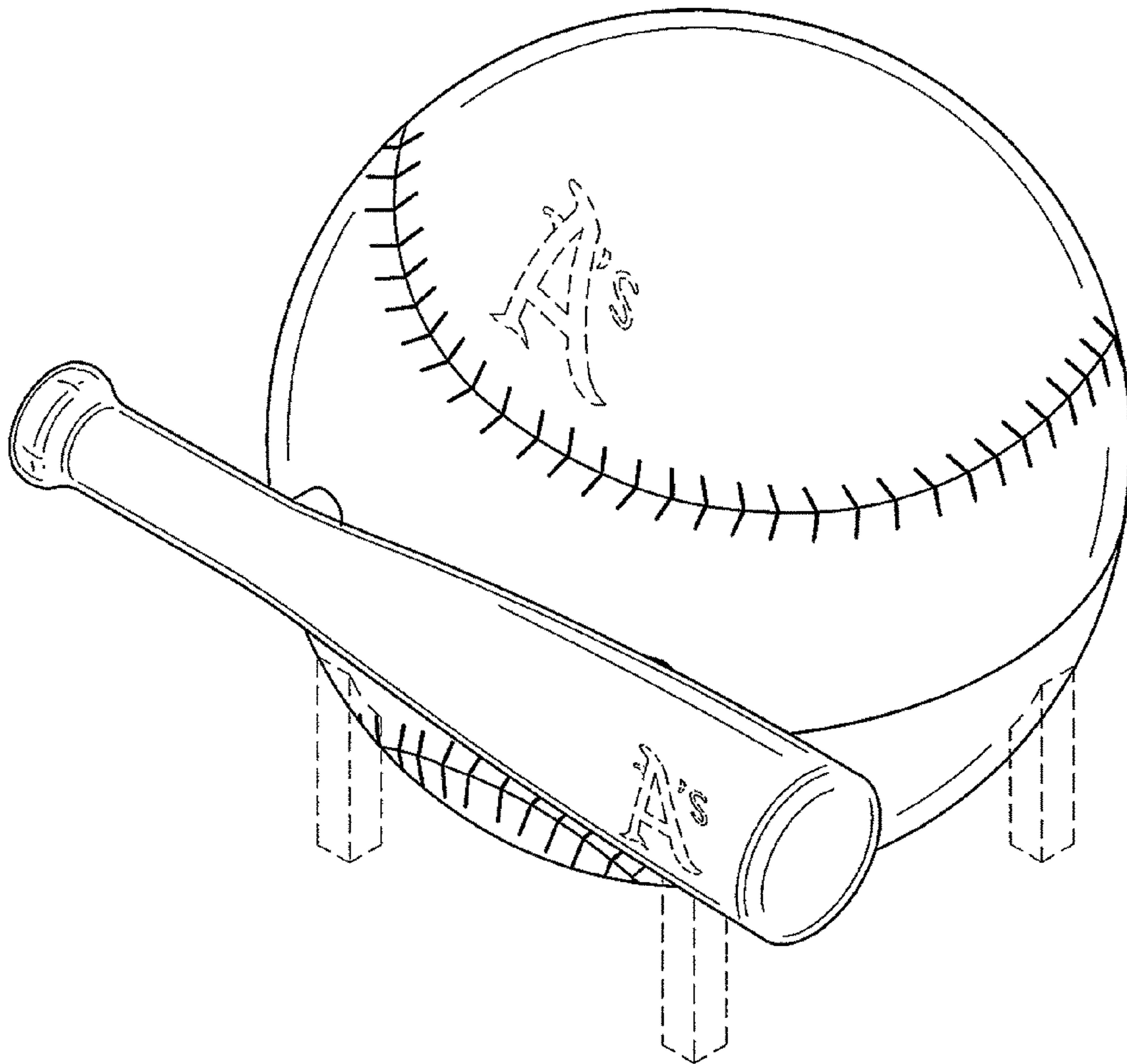


FIG. 7