



US00D639100S

(12) **United States Design Patent**
Heroux

(10) **Patent No.:** **US D639,100 S**
(45) **Date of Patent:** **** Jun. 7, 2011**

(54) **CUSHION**

(75) Inventor: **Steve Heroux**, South Burlington, VT
(US)

(73) Assignee: **HIPInnovations, LLC**, Williston, VT
(US)

(**) Term: **14 Years**

(21) Appl. No.: **29/349,518**

(22) Filed: **Apr. 8, 2010**

(51) **LOC (9) Cl.** **06-09**

(52) **U.S. Cl.** **D6/601**

(58) **Field of Classification Search** D6/595-601,
D6/604, 606, 610, 611; 5/630, 632, 633,
5/636, 637-642, 644-648, 652-655, 655.3,
5/655.9, 656, 657.5; D1/100, 101, 115, 125,
D1/127-129, 199; D21/803, 808; D24/183;
D30/118; 249/118.5, 127; 297/219.1, 242;
426/420, 439, 440; 441/81, 122, 127

See application file for complete search history.

(56) **References Cited**

U.S. PATENT DOCUMENTS

2,772,643 A * 12/1956 Coyne 426/439
4,498,880 A * 2/1985 Curley 441/81
5,437,070 A * 8/1995 Rempp 5/636
D412,082 S * 7/1999 Goodrich D6/601
D510,400 S * 10/2005 Rockstad et al. D21/808

D553,893 S * 10/2007 Boutin D6/601
D602,299 S * 10/2009 Heroux D6/601
D607,176 S * 1/2010 Roskam D1/115
2008/0217492 A1 * 9/2008 Stearns et al. 248/118.5

OTHER PUBLICATIONS

Total Pillow® —Located on the left center of p. 1 <https://www.trytotalpillow.com/flare/next?rtag=totalpillow&pull> from the web on Jan. 3, 2011.*

Boat Seat Cushion C-5569—Alibaba.com® http://www.alibaba.com/product-gs/338216349/Boat_Seat_Cushion_C_5569/showimage.html pulled from the web on Jan. 4, 2011.*

Flower shaped stuffed plush toy cushion/ pillow—Alibaba.com® http://www.alibaba.com/product-gs/326917607/Flower_shaped_stuffed_plush_toy_cushion.html pill from the web on Jan. 26, 2011.*

* cited by examiner

Primary Examiner — Mary Ann Calabrese

(57) **CLAIM**

The ornamental design for a cushion, as shown.

DESCRIPTION

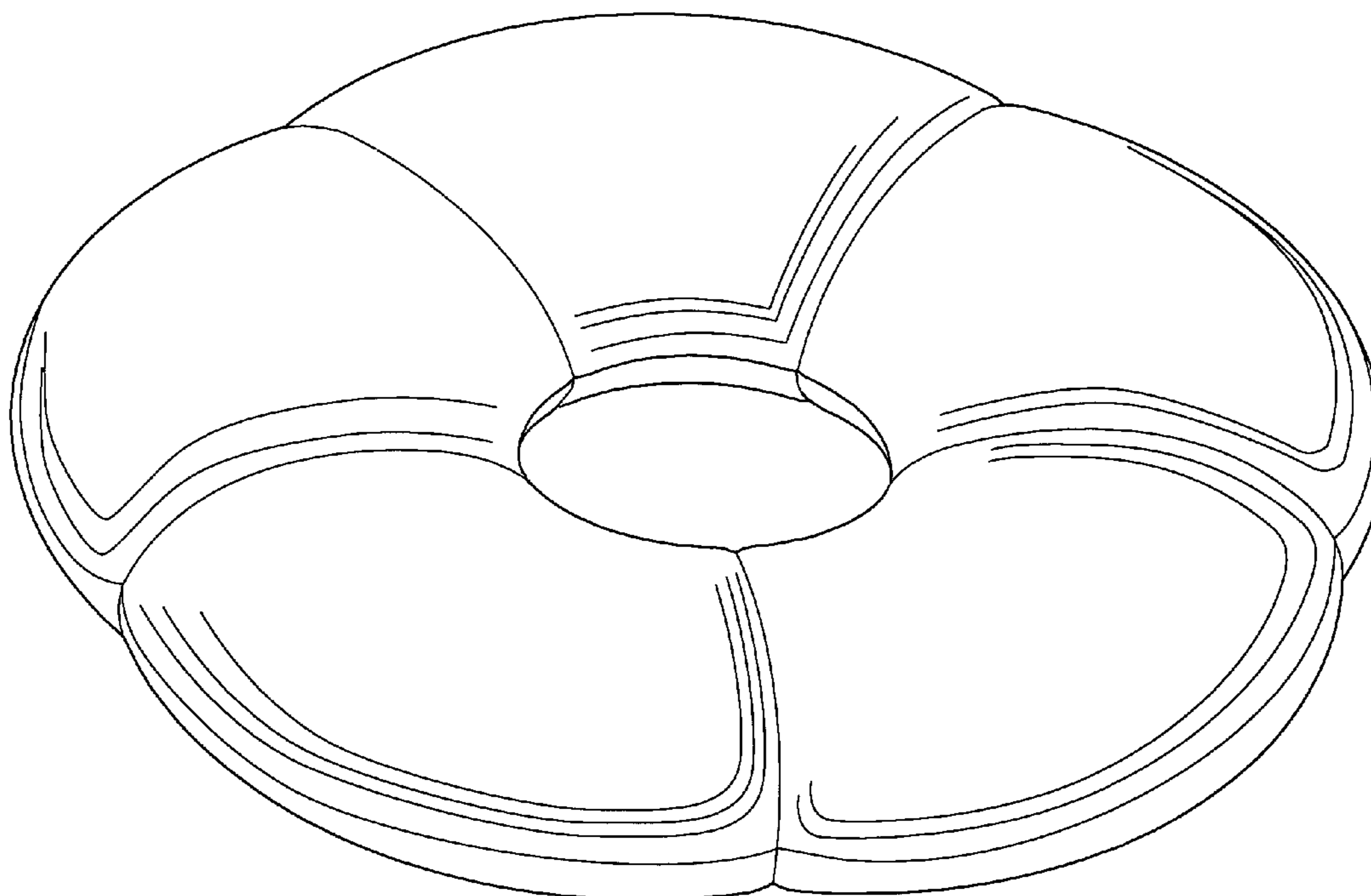
FIG. 1 is a perspective view of a cushion showing my new design;

FIG. 2 is a top view thereof;

FIG. 3 is a side view thereof; and,

FIG. 4 is a bottom view thereof.

1 Claim, 4 Drawing Sheets



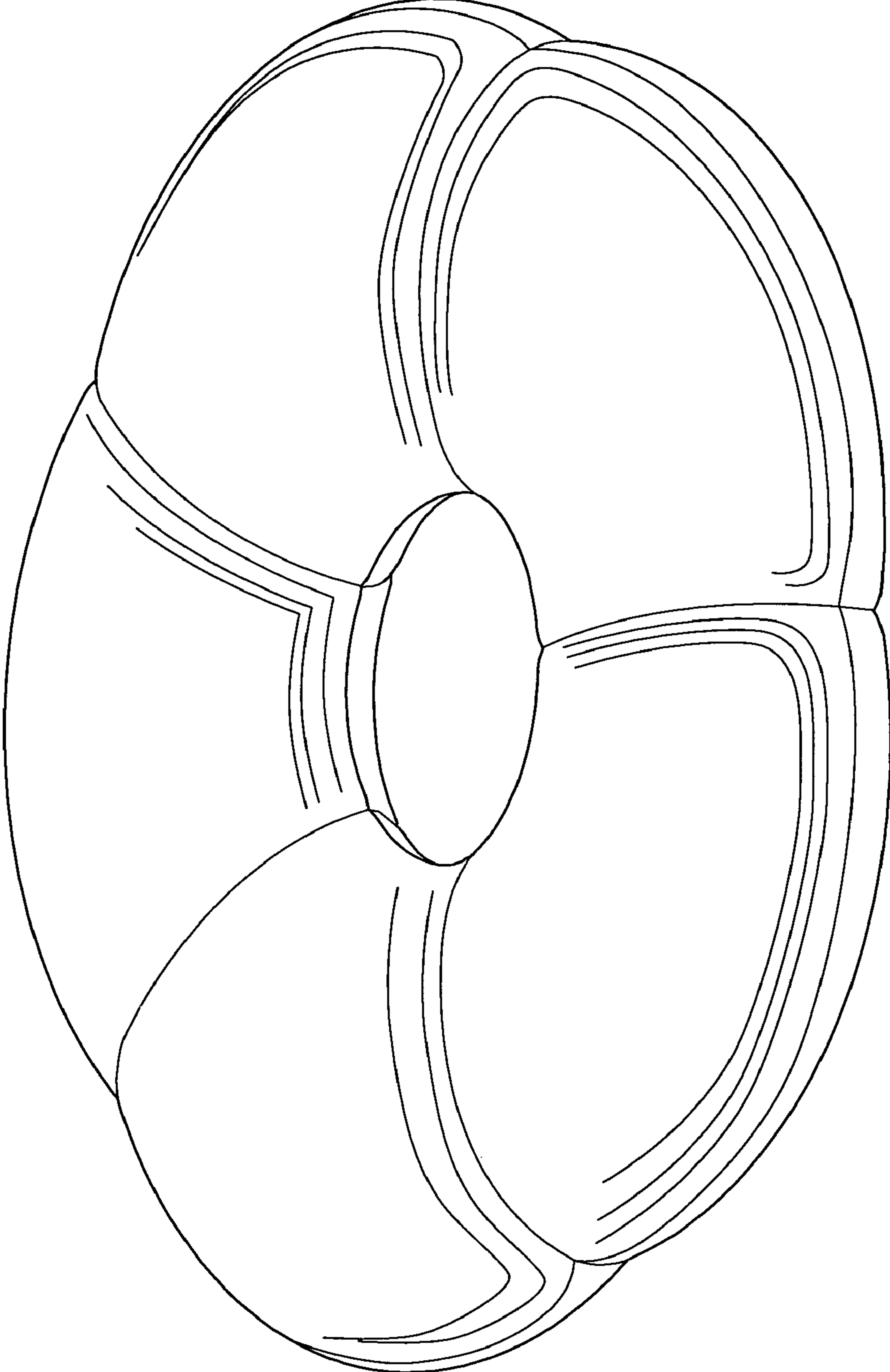


Fig 1

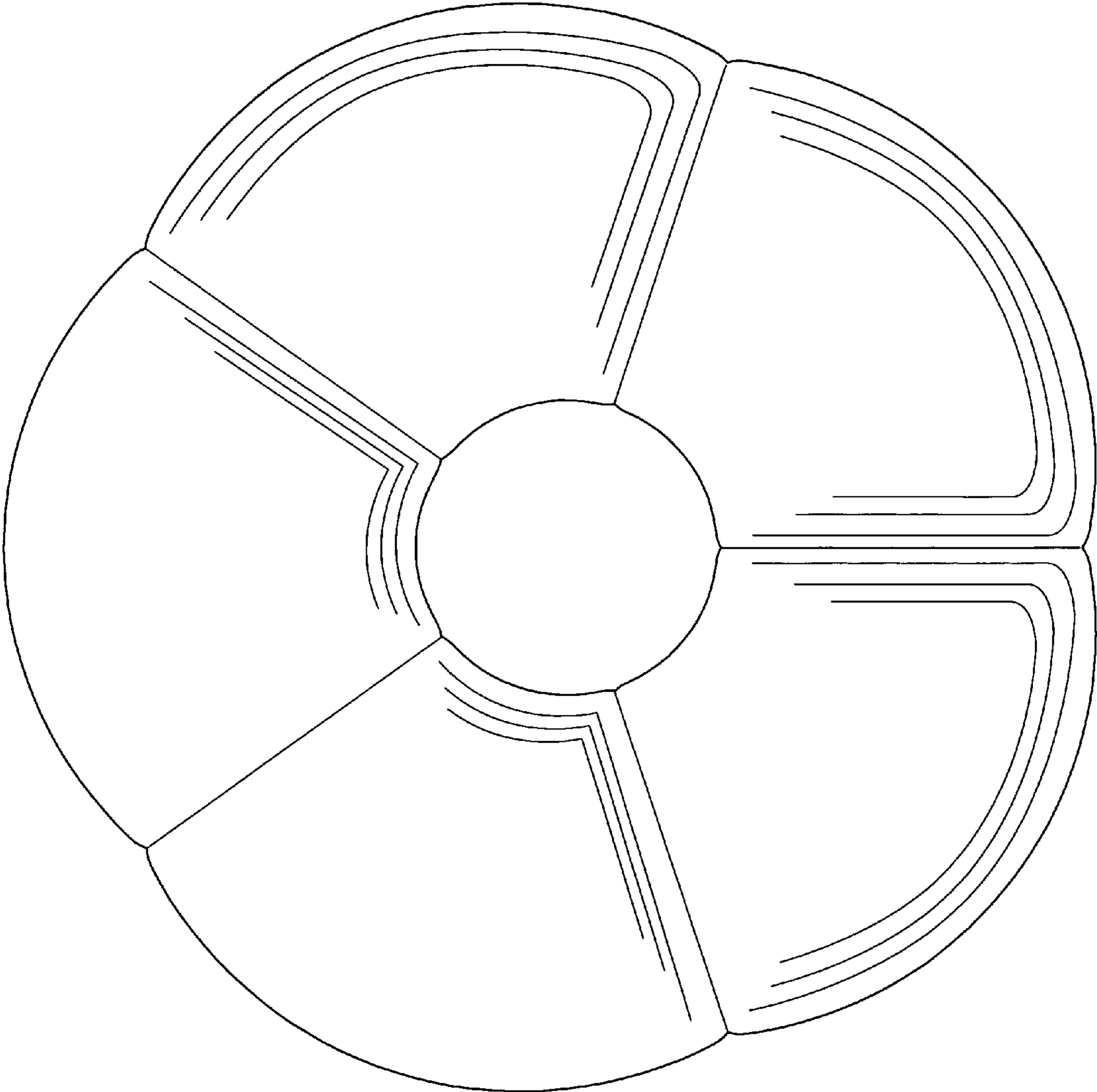


Fig 2

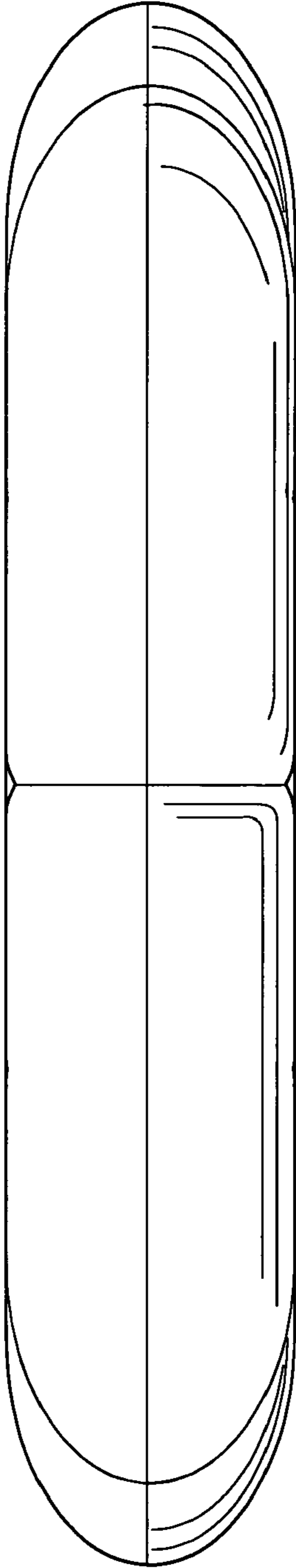


Fig 3

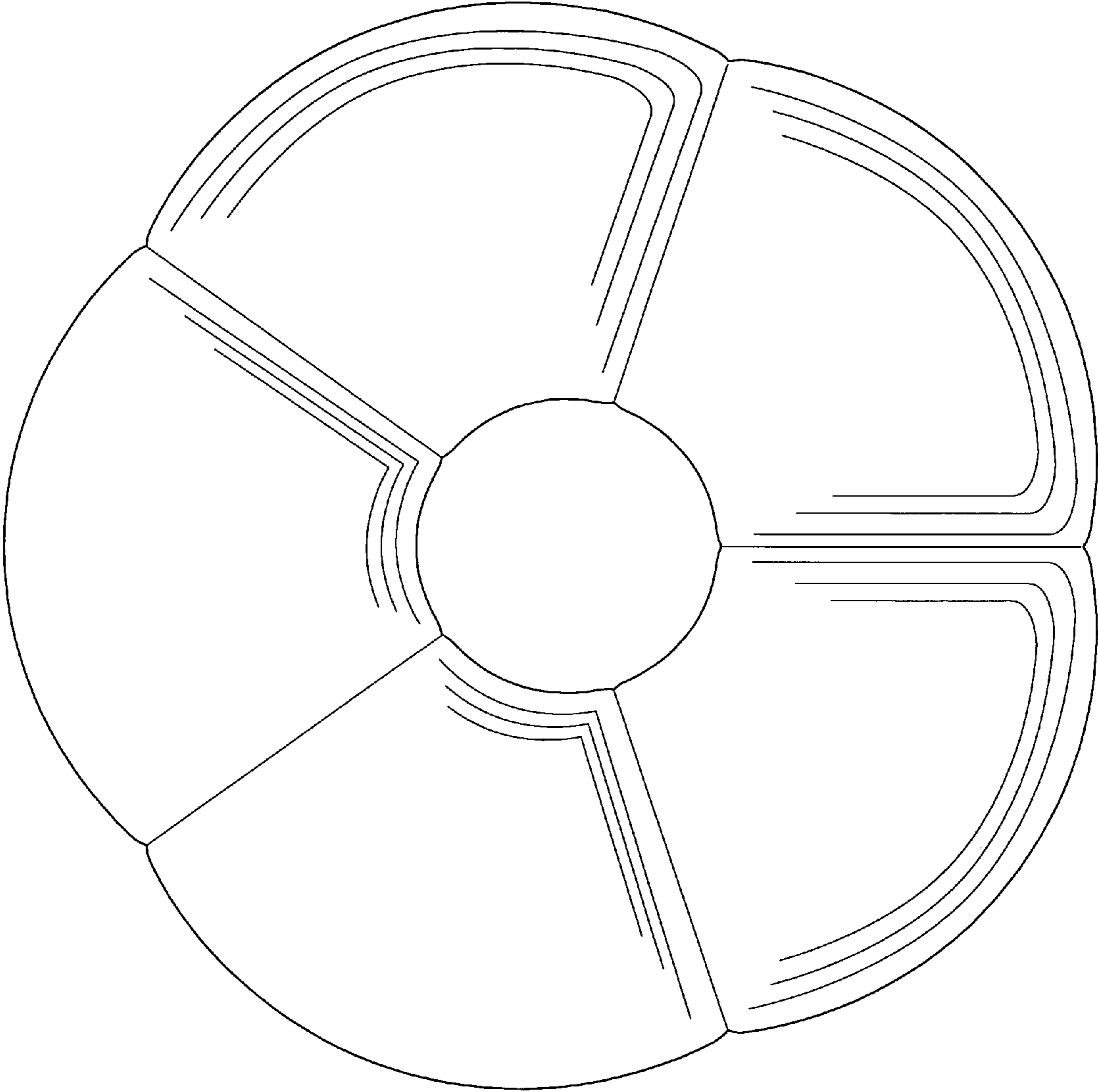


Fig 4