



US00D639097S

(12) **United States Design Patent**
Hayes

(10) **Patent No.:** **US D639,097 S**

(45) **Date of Patent:** **** Jun. 7, 2011**

(54) **TOOL AND SUPPLY RACK**

(76) Inventor: **Fame T. Hayes**, Lathrop, CA (US)

(**) Term: **14 Years**

(21) Appl. No.: **29/361,384**

(22) Filed: **May 11, 2010**

(51) **LOC (9) Cl.** **06-04**

(52) **U.S. Cl.** **D6/567**

(58) **Field of Classification Search** D6/553,
D6/567, 574, 512, 524; 211/13.1, 60.1, 60.9,
211/69.1, 69.5, 70.1, 70.6, 71.01; 248/309.1,
248/309.2, 310, 314

See application file for complete search history.

D446,658 S 8/2001 Osborne
D552,796 S * 10/2007 Petrucci D6/567
D575,972 S * 9/2008 Shiao D6/567
D602,724 S * 10/2009 Liu D6/567

* cited by examiner

Primary Examiner — Brian N Vinson

(74) *Attorney, Agent, or Firm* — Crossley Patent Law; Mark A. Crossley

(57) **CLAIM**

The ornamental design for a tool and supply rack, as shown and described.

DESCRIPTION

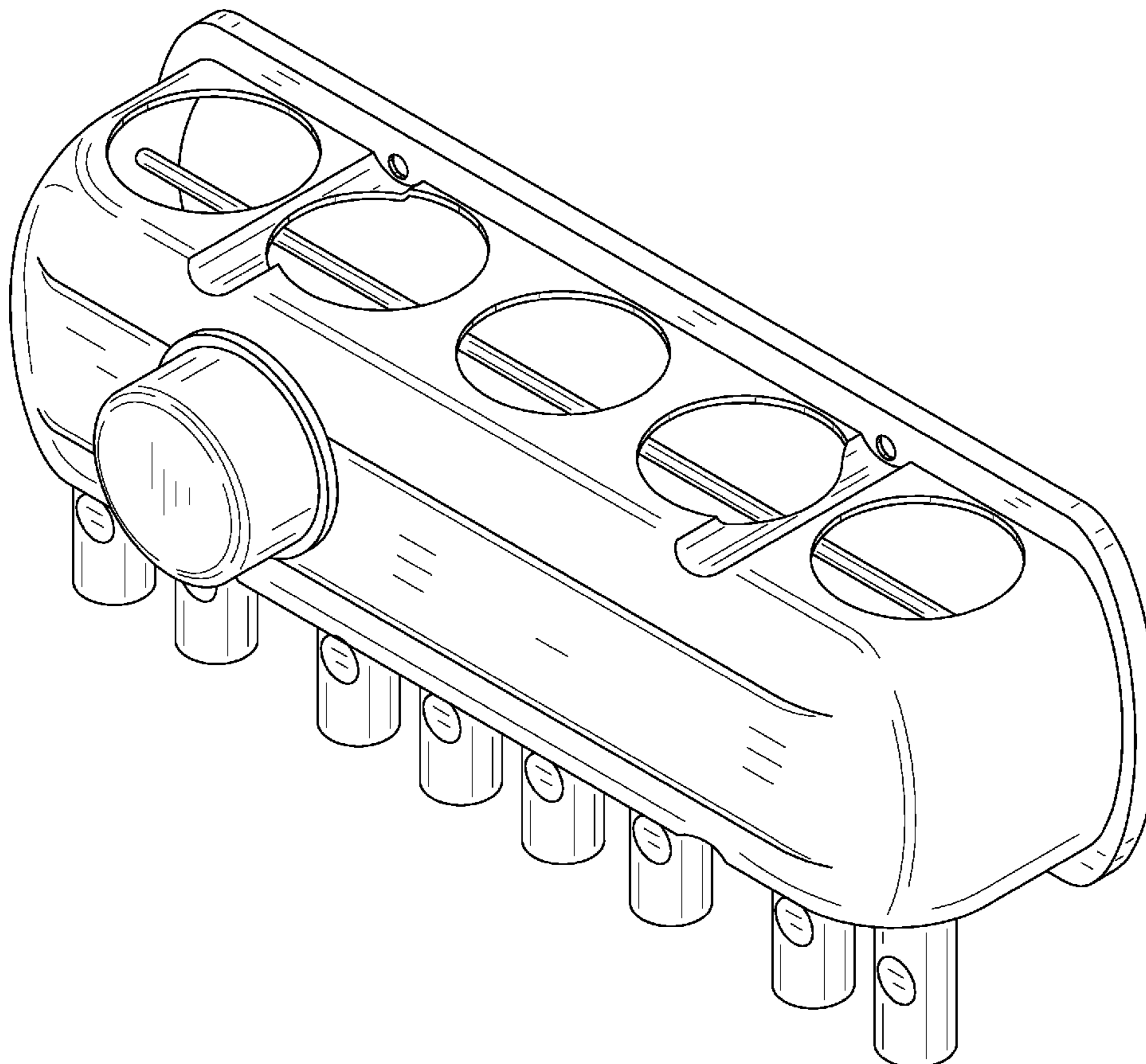
FIG. 1 is a front elevation view of a tool and supply rack showing my new design;
FIG. 2 is a rear elevation view thereof;
FIG. 3 is a right elevation view thereof, the opposite side being a mirror image of the shown;
FIG. 4 is a top plan view thereof;
FIG. 5 is a bottom plan view thereof; and,
FIG. 6 is an isometric view thereof.

1 Claim, 4 Drawing Sheets

(56) **References Cited**

U.S. PATENT DOCUMENTS

D248,909 S *	8/1978	Frazian	D6/553
4,155,458 A	5/1979	Moline		
D294,548 S *	3/1988	Wallace	D6/567
D309,687 S *	8/1990	Embree et al.	D6/567
D323,245 S *	1/1992	Hobson	D6/553
5,097,966 A	3/1992	Miller		
5,407,170 A	4/1995	Slivon et al.		
D438,714 S	3/2001	Osborne		



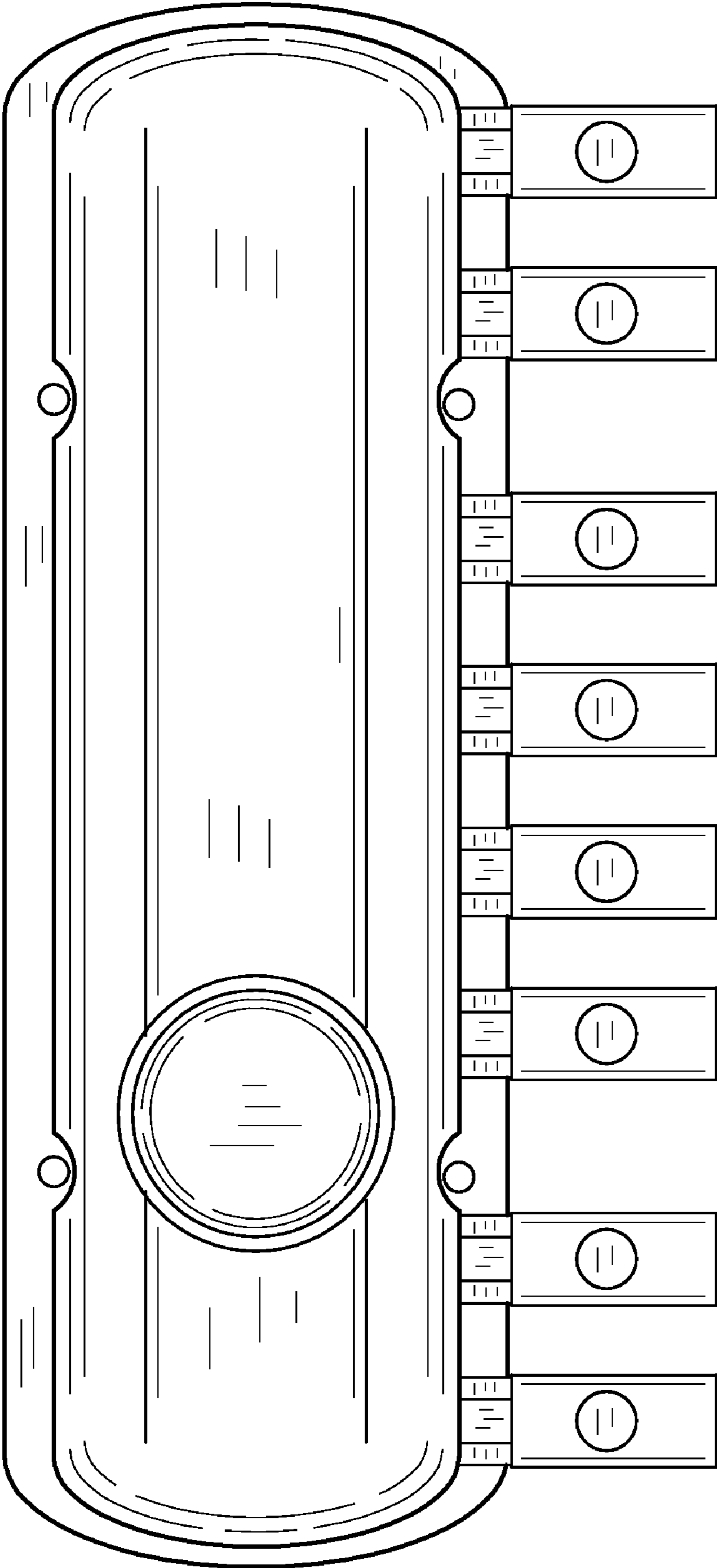


FIG. 1

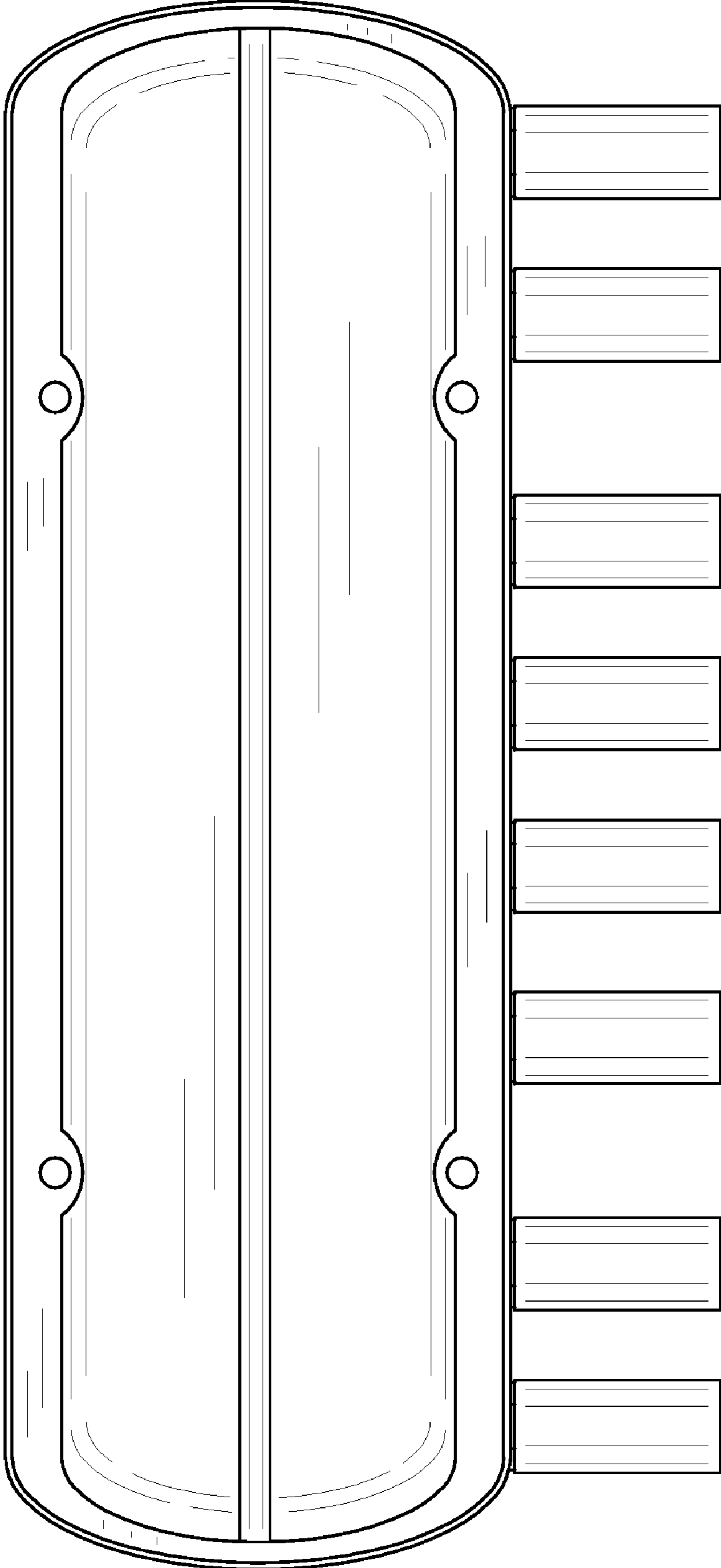


FIG. 2

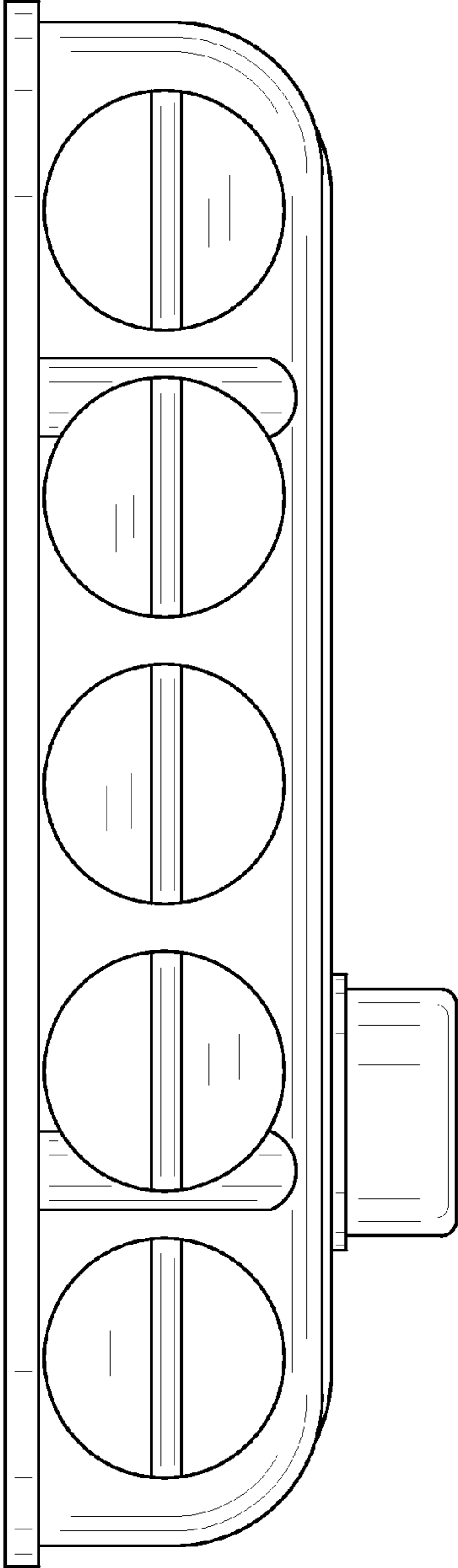


FIG. 4

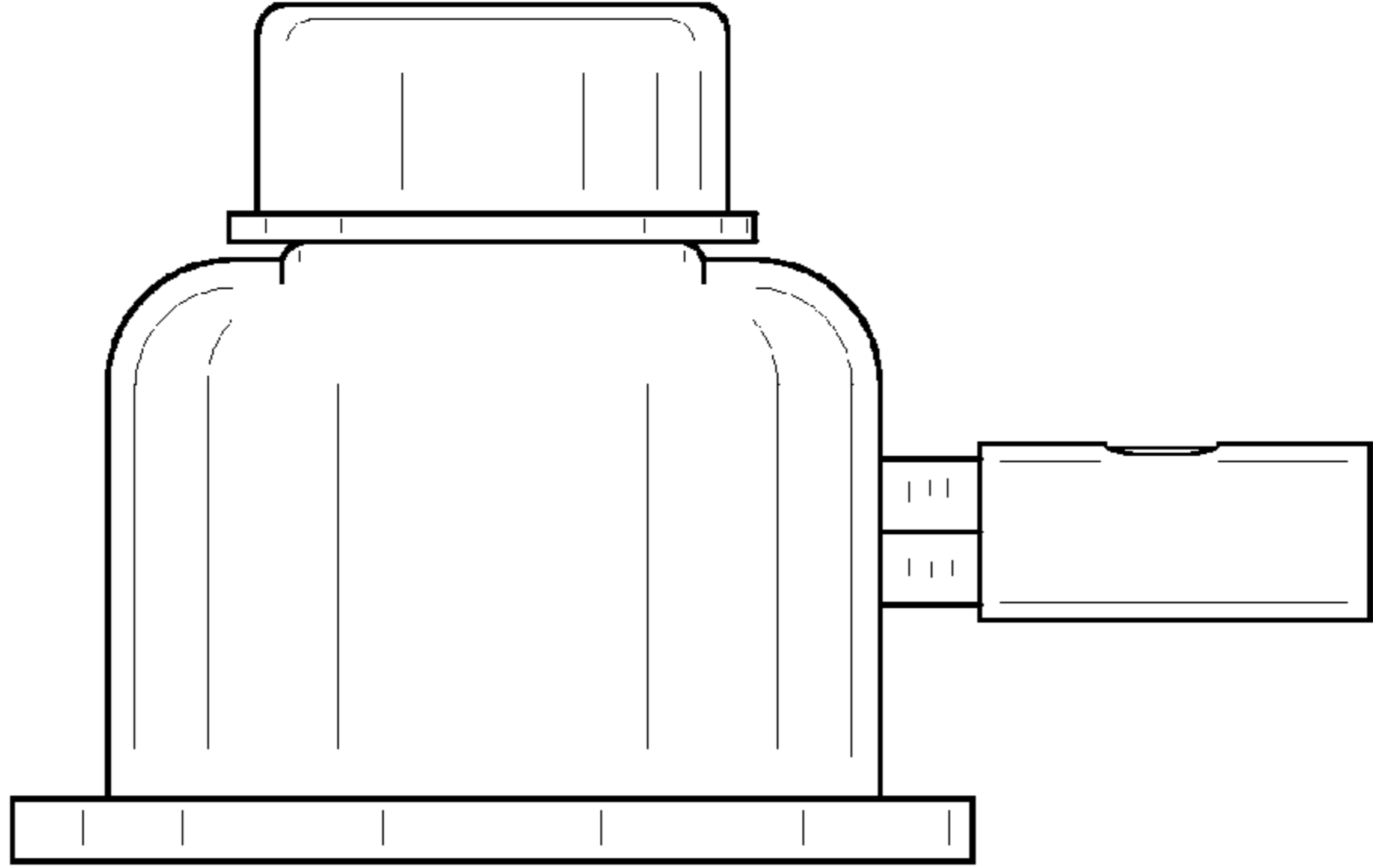


FIG. 3

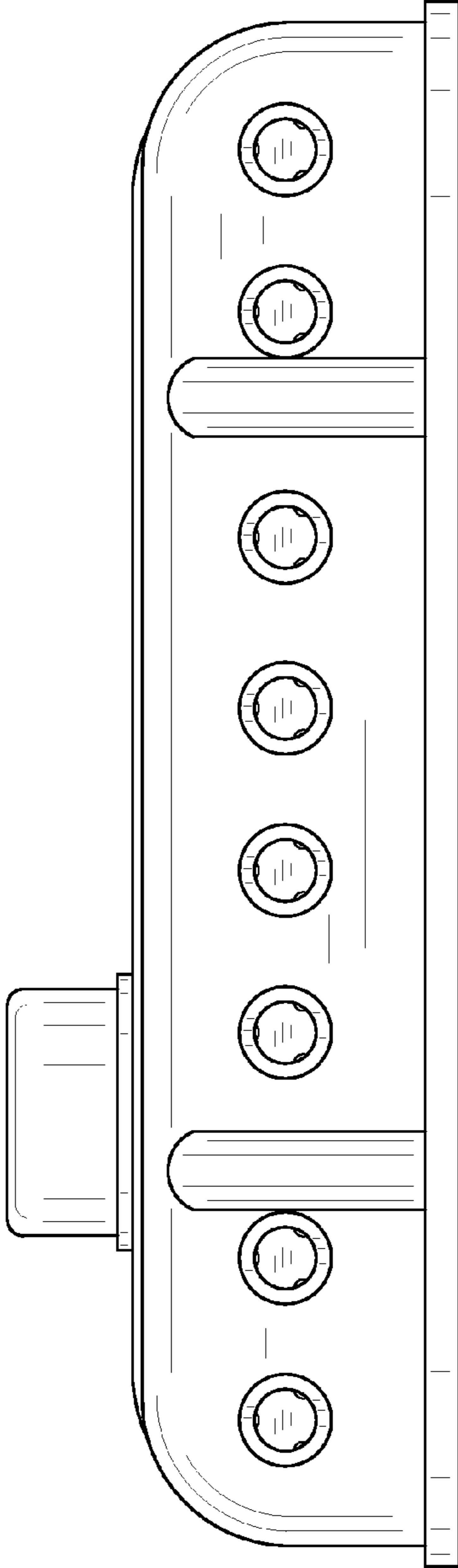


FIG. 5

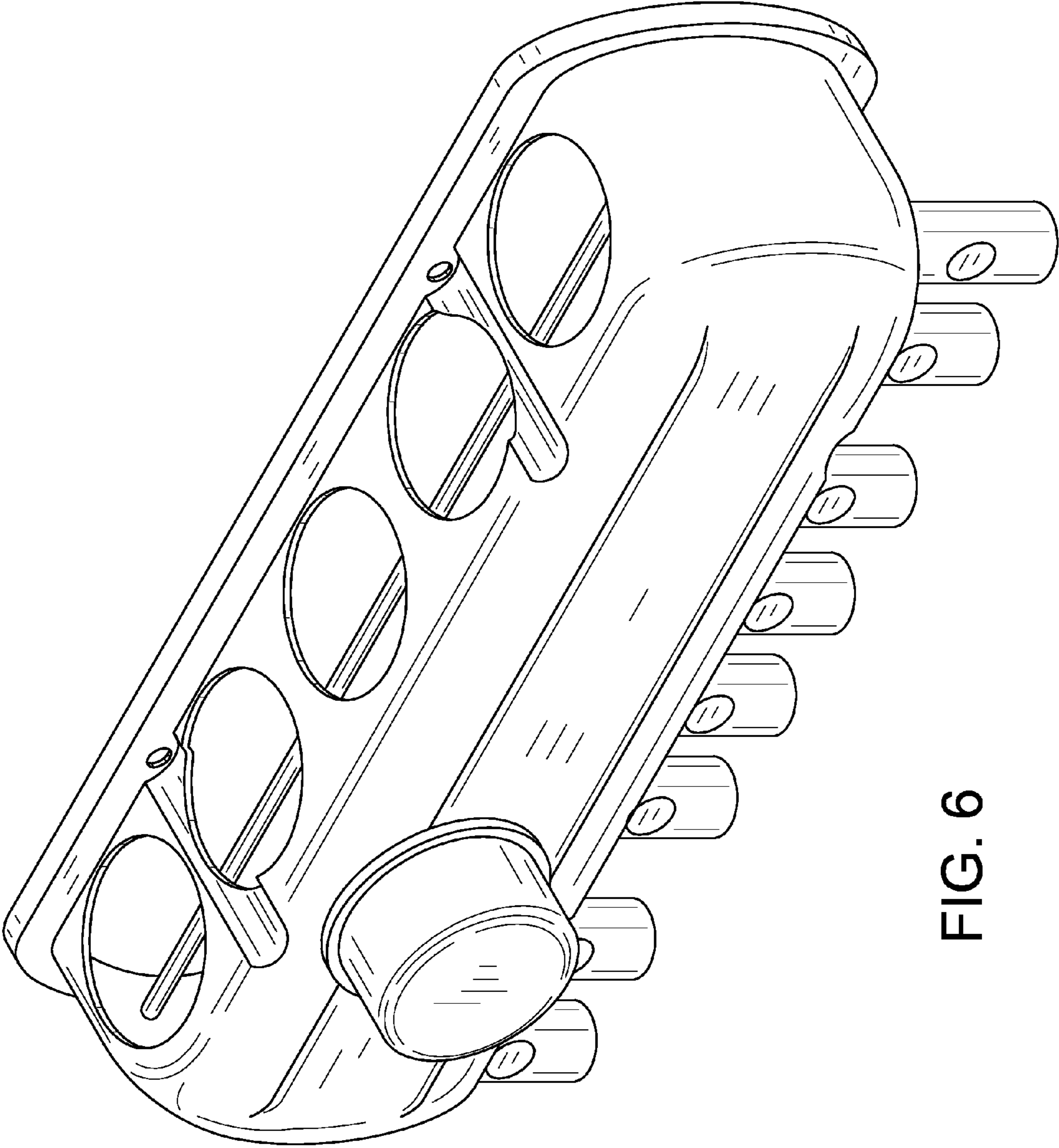


FIG. 6