



US00D639096S

(12) **United States Design Patent**  
**Koziol**

(10) **Patent No.:** **US D639,096 S**

(45) **Date of Patent:** **\*\* Jun. 7, 2011**

(54) **CYLINDRICAL CONTAINER HOLDER**

(76) Inventor: **Matthew Charles Koziol**, Wethersfield,  
CT (US)

(\*\*) Term: **14 Years**

(21) Appl. No.: **29/349,492**

(22) Filed: **Apr. 8, 2010**

(51) **LOC (9) Cl.** ..... **06-04**

(52) **U.S. Cl.** ..... **D6/567; D6/518; D8/373**

(58) **Field of Classification Search** ..... D6/542-545,  
D6/553, 567, 574, 515-525; 206/77.1; 211/13.1,  
211/86.01, 87.01; 221/14, 92, 649, 146.1,  
221/146.2, 105; 222/281-282; D23/225;  
D8/349, 354, 363, 373, 394; D24/155  
See application file for complete search history.

(56) **References Cited**

**U.S. PATENT DOCUMENTS**

D385,287 S \* 10/1997 Westcott ..... D6/567  
D551,062 S \* 9/2007 Nawrocki ..... D8/373  
D553,742 S \* 10/2007 Park ..... D24/155

D620,735 S \* 8/2010 Schmidt et al. .... D6/545  
\* cited by examiner

*Primary Examiner* — Brian N Vinson

(74) *Attorney, Agent, or Firm* — Ted Paulding

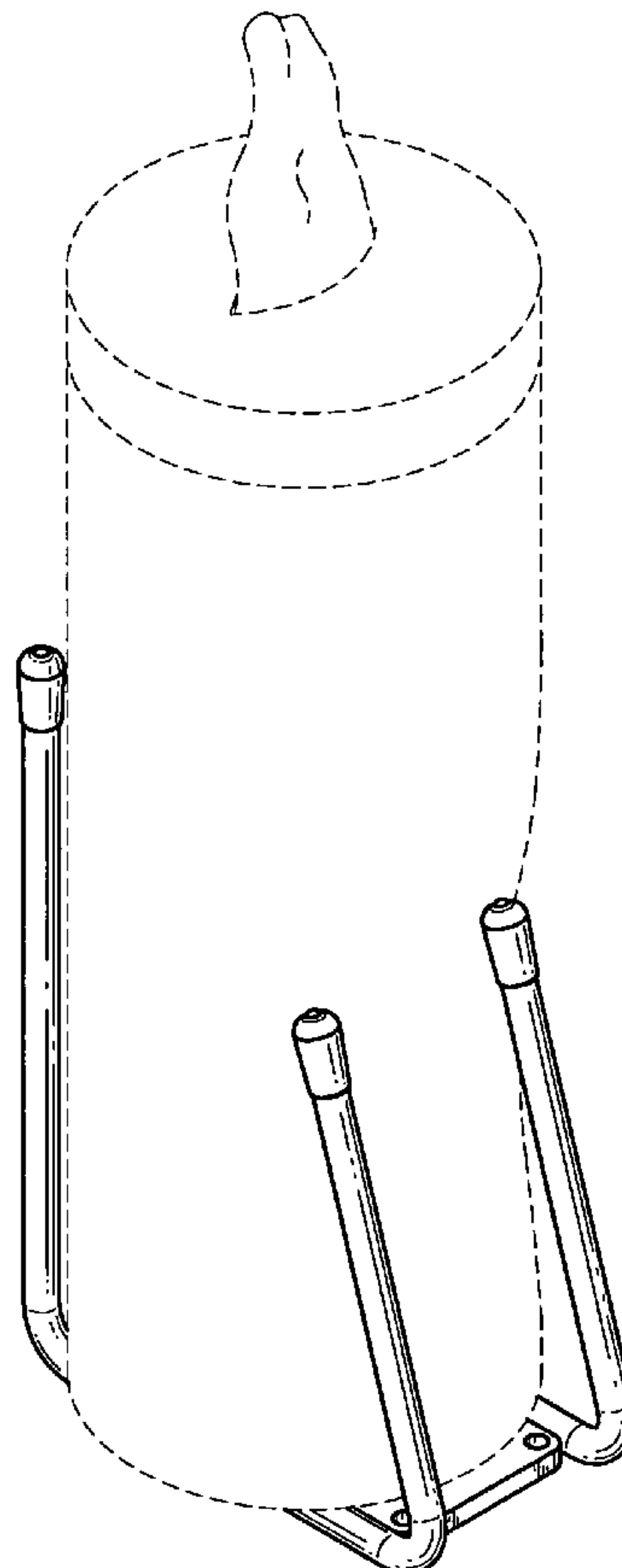
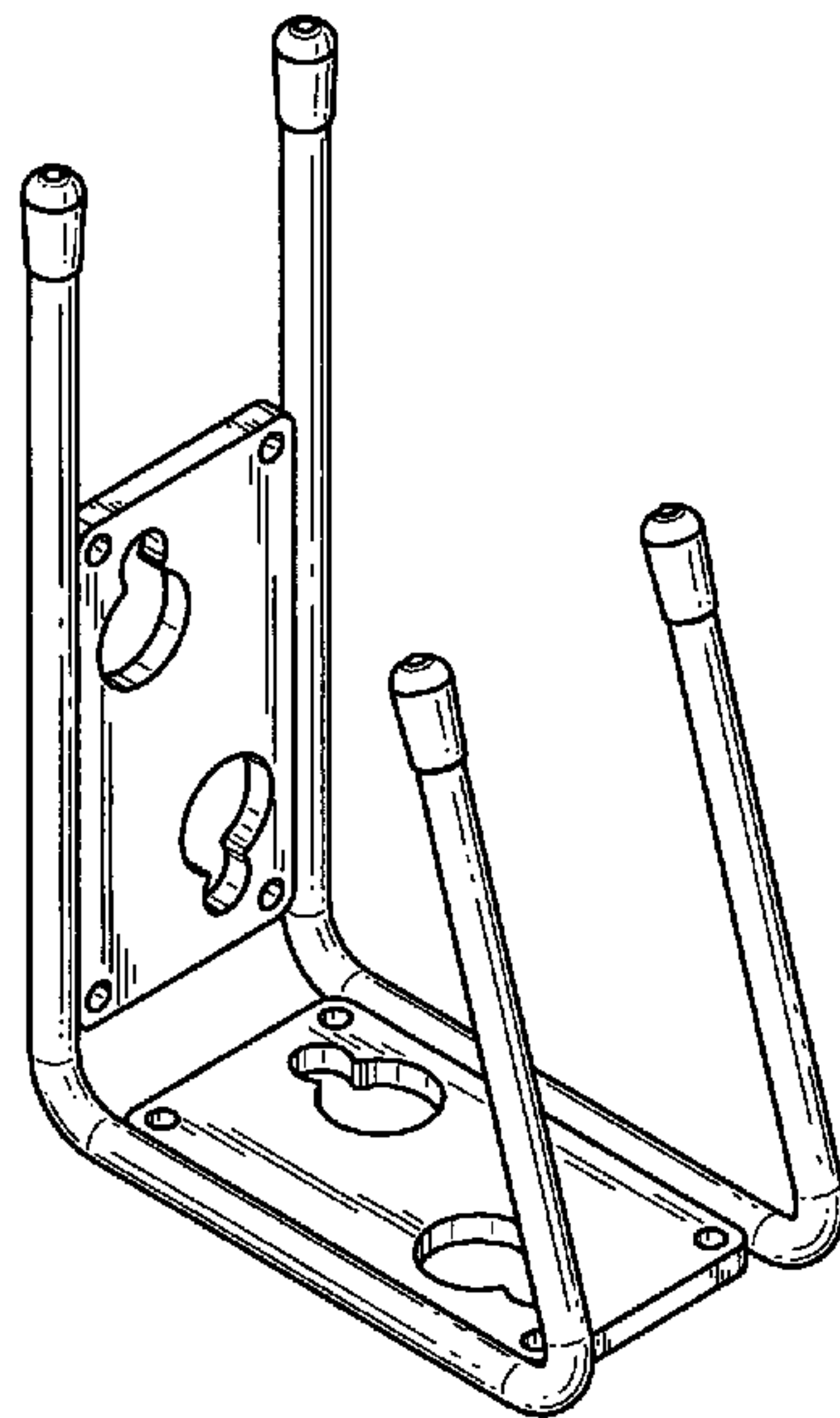
(57) **CLAIM**

The ornamental design for a cylindrical container holder, as shown and described.

**DESCRIPTION**

FIG. 1 is a top, front, and left side perspective view of a cylindrical container holder showing my new design; FIG. 2 is a bottom, rear, and left side perspective thereof; FIG. 3 is a front elevational view thereof; FIG. 4 is a rear elevational view thereof; FIG. 5 is a left side elevational view thereof, the right side being a mirror image of that shown; FIG. 6 is a top plan view thereof; FIG. 7 a bottom plan view thereof; and, FIG. 8 is an additional top, front, and left side perspective view thereof, with a broken-line disclosure of a cylindrical container disposed in the holder for illustrative purposes only and forming no part of the claimed design.

**1 Claim, 2 Drawing Sheets**



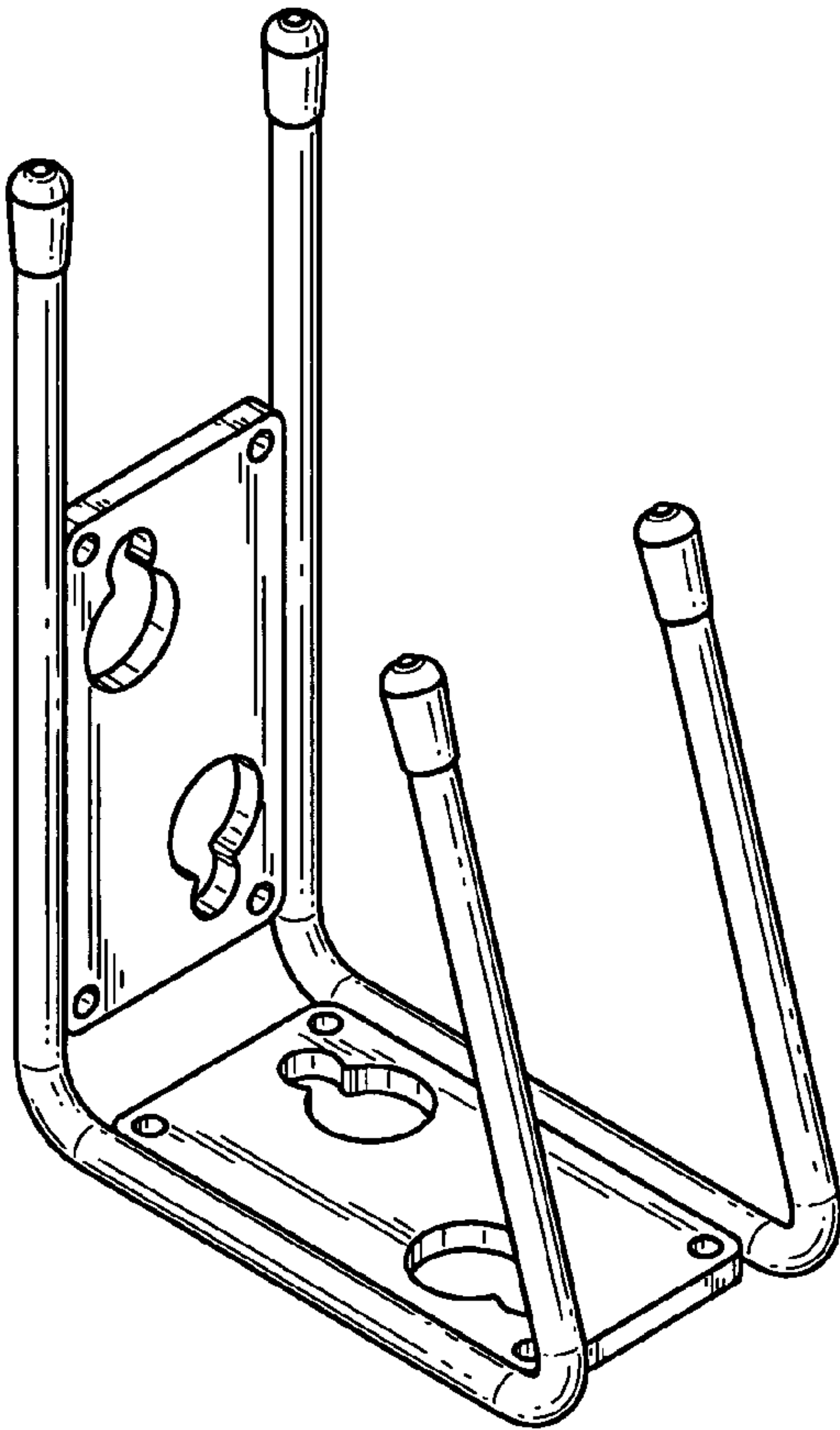


FIG. 1

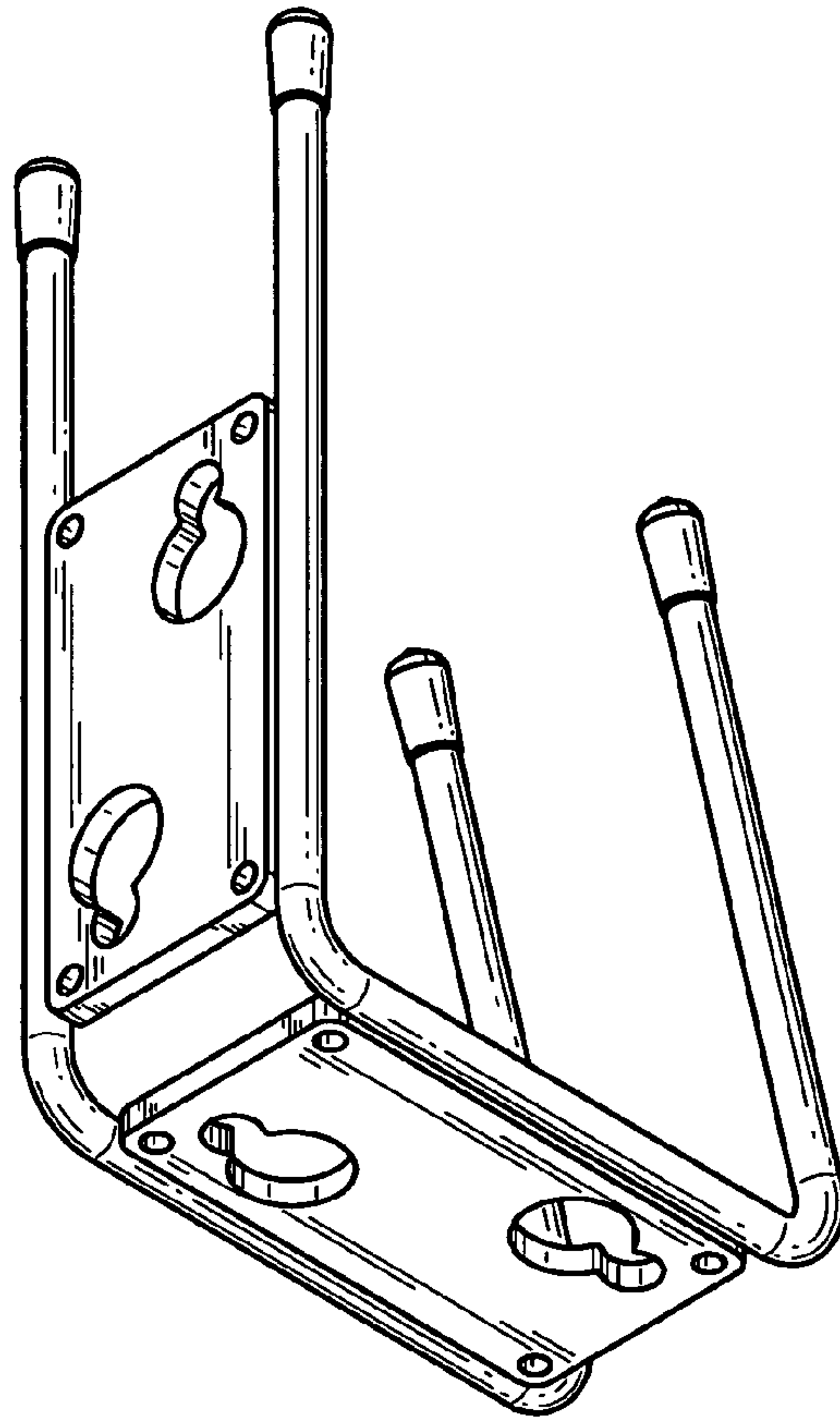


FIG. 2

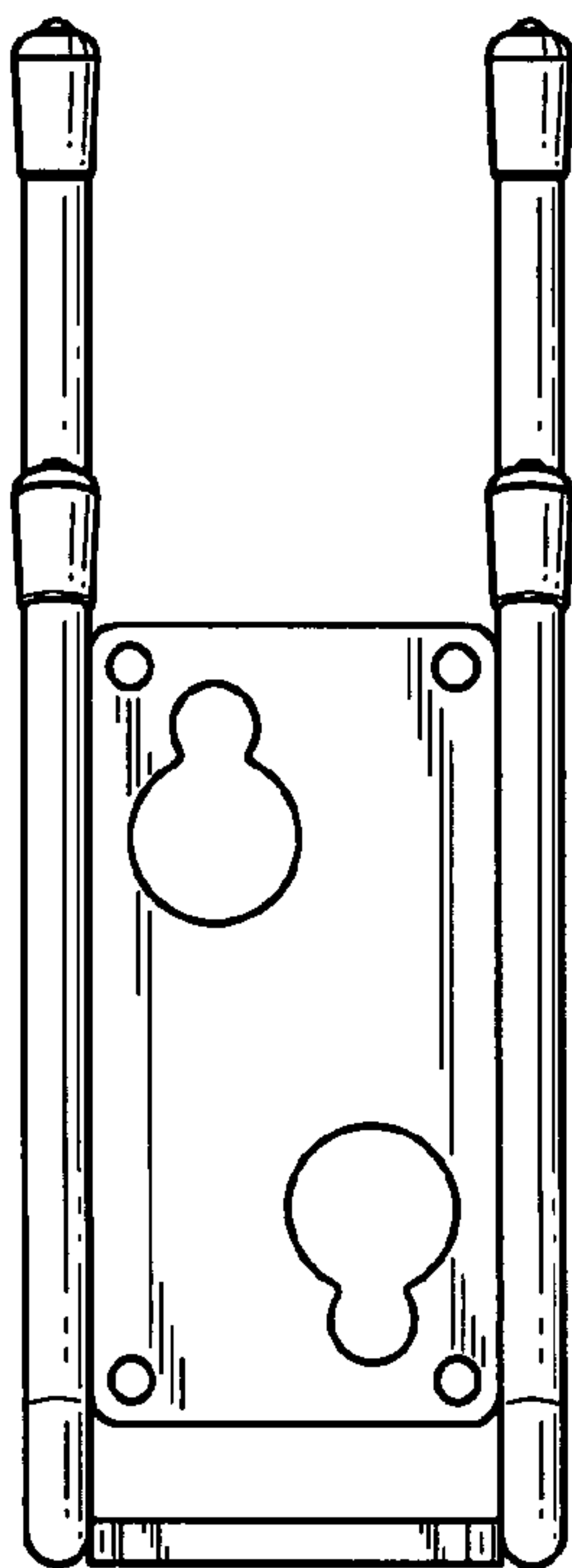


FIG. 3

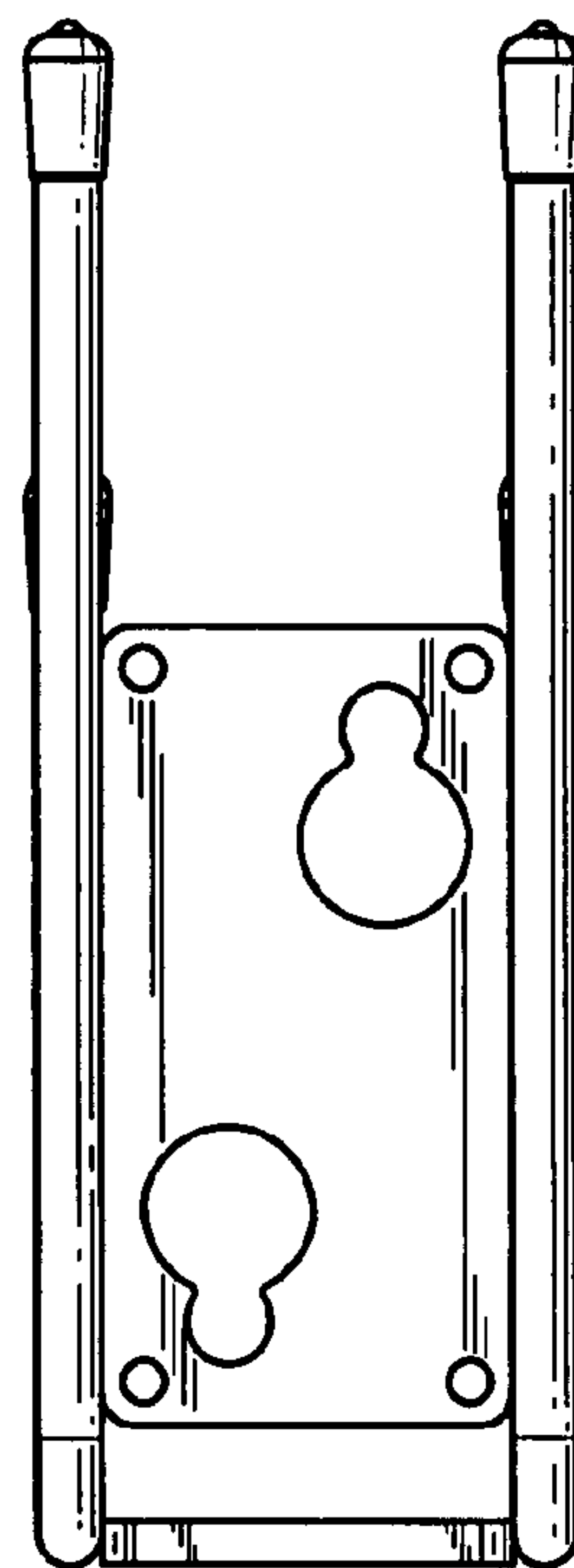


FIG. 4

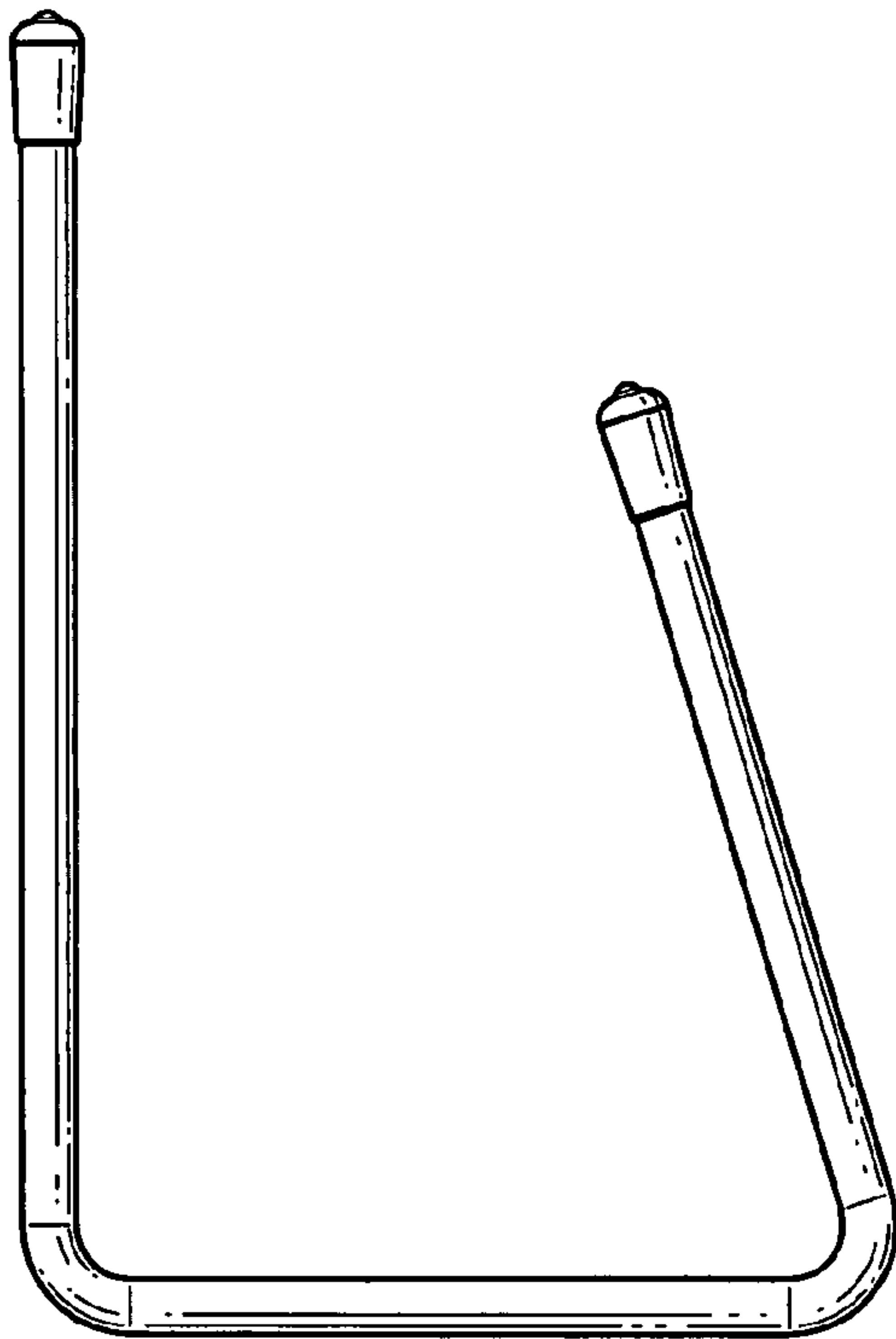


FIG. 5

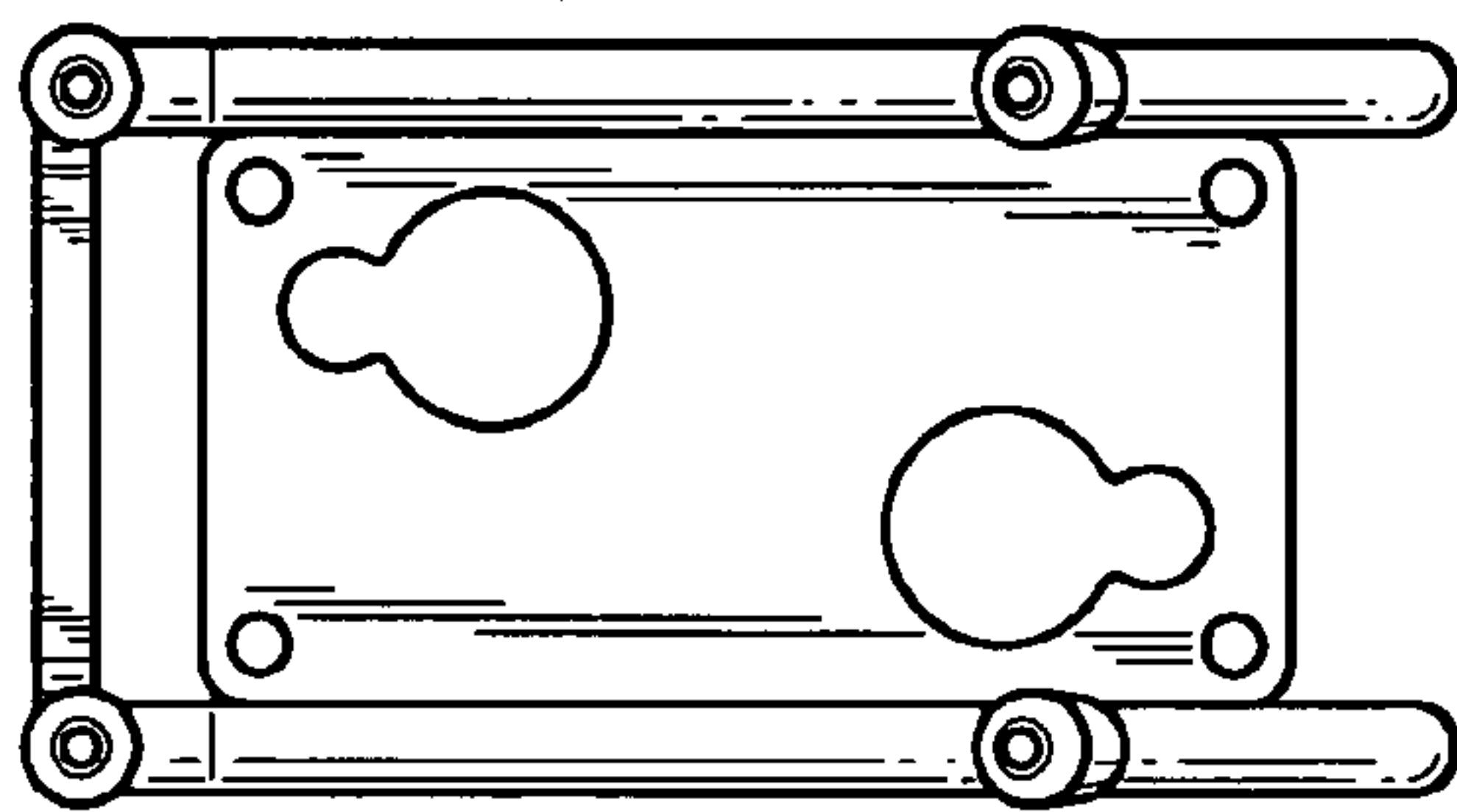


FIG. 6

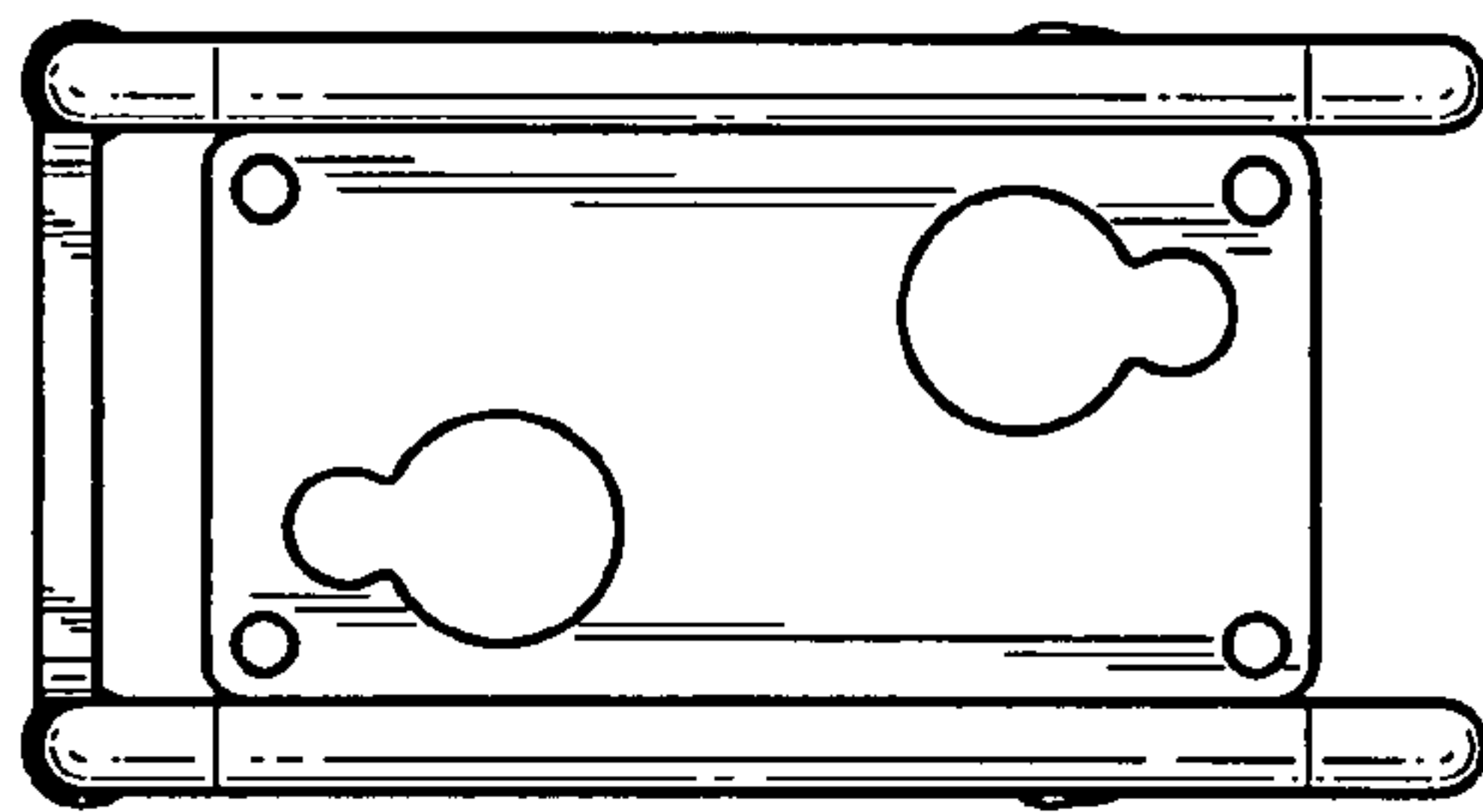


FIG. 7

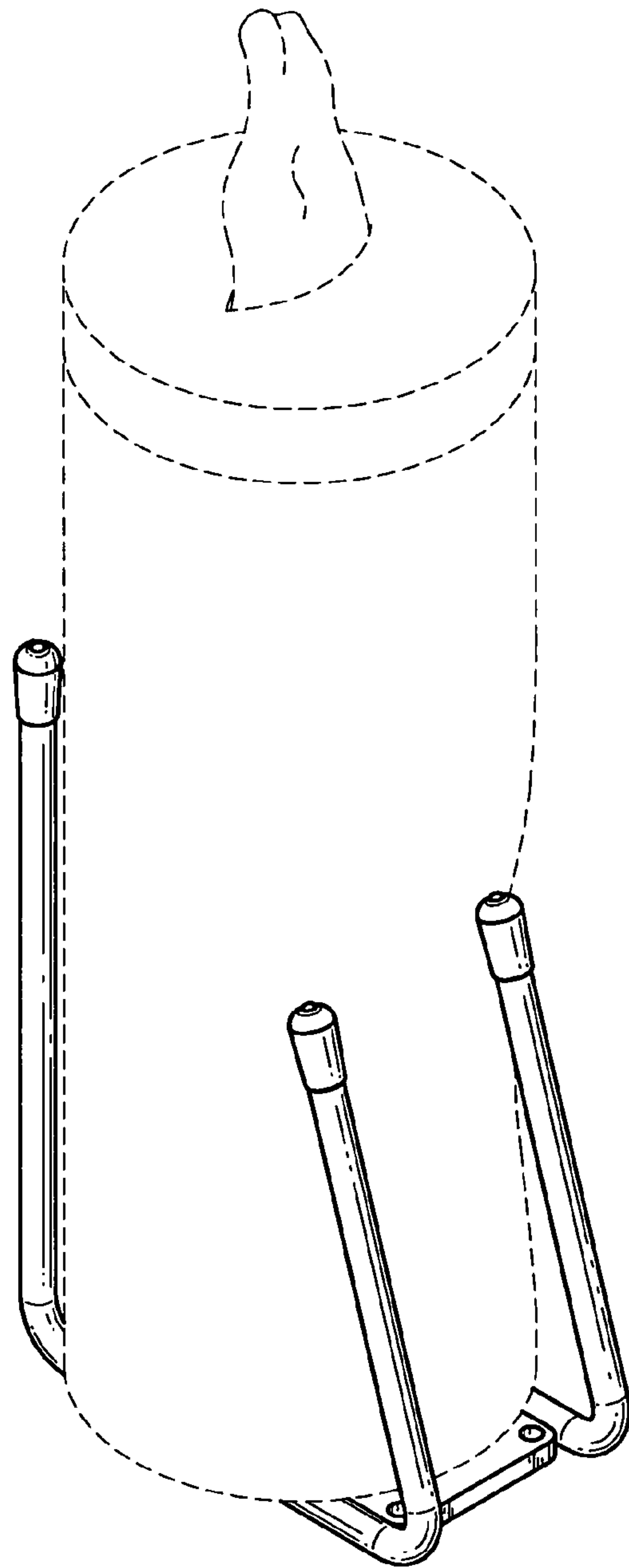


FIG. 8