



US00D639094S

(12) **United States Design Patent**  
**Kraemer**

(10) **Patent No.:** **US D639,094 S**

(45) **Date of Patent:** **\*\* \*Jun. 7, 2011**

(54) **TOOTHBRUSH STAND**

D615,334 S \* 5/2010 Ghiorghie ..... D6/534  
D615,335 S \* 5/2010 Snell ..... D6/534  
D619,395 S \* 7/2010 Snell ..... D6/534

(75) Inventor: **Kevin Kraemer**, Cuyahoga Falls, OH  
(US)

(73) Assignee: **InterDesign, Inc.**, Solon, OH (US)

(\* ) Notice: This patent is subject to a terminal disclaimer.

(\*\*) Term: **14 Years**

(21) Appl. No.: **29/372,237**

(22) Filed: **Oct. 29, 2010**

(51) **LOC (9) Cl.** ..... **23-02**

(52) **U.S. Cl.** ..... **D6/534**

(58) **Field of Classification Search** ..... D6/524,  
D6/526, 527, 528, 534; 206/208, 228, 209,  
206/209.1, 361, 362, 362.1, 362.2, 362.3;  
211/13.1, 66, 70.6, 86.01, 87.01

See application file for complete search history.

(56) **References Cited**

U.S. PATENT DOCUMENTS

D477,734 S	7/2003	Snell	
D478,230 S	8/2003	Dretzka	
D478,231 S	8/2003	Snell	
D482,222 S	11/2003	Dretzka	
D499,918 S	12/2004	Snell	
D530,122 S	10/2006	Snell	
D530,552 S	10/2006	Snell	
D530,949 S	10/2006	Snell	
D530,950 S	10/2006	Dretzka	
D546,607 S	7/2007	Dretzka	
D576,828 S	9/2008	Ghiorghie	
D576,829 S	9/2008	Dretzka	
D599,591 S *	9/2009	Snell	D6/534
D599,592 S *	9/2009	Dretzka	D6/534
D599,593 S *	9/2009	Ghiorghie	D6/534

OTHER PUBLICATIONS

InterDesign, Inc. Product Brochure—2000, p. 4, 5.  
InterDesign, Inc. Product Brochure—2001, p. 12, 13.  
InterDesign, Inc. Product Brochure—2003, pp. 6, 9, 10, 11, 15, 16,  
17, 22, 23, 24.  
InterDesign, Inc. Product Brochure—2004, p. 24, 28, 29, 30, 31.  
InterDesign, Inc. Product Brochure—2005, p. 6.  
InterDesign, Inc. Product Brochure—2006, pp. 2, 3, 4, 5.  
InterDesign, Inc. Product Brochure—2007, pp. 2, 3, 4, 5.  
InterDesign, Inc. Product Brochure—2008, pp. 28, 29.  
InterDesign, Inc. Product Brochure—2009, pp. 3, 4, 5, 7, 8, 11.

\* cited by examiner

*Primary Examiner* — Brian N Vinson

(74) *Attorney, Agent, or Firm* — D. Peter Hochberg; Sean F. Mellino; Daniel J. Smola

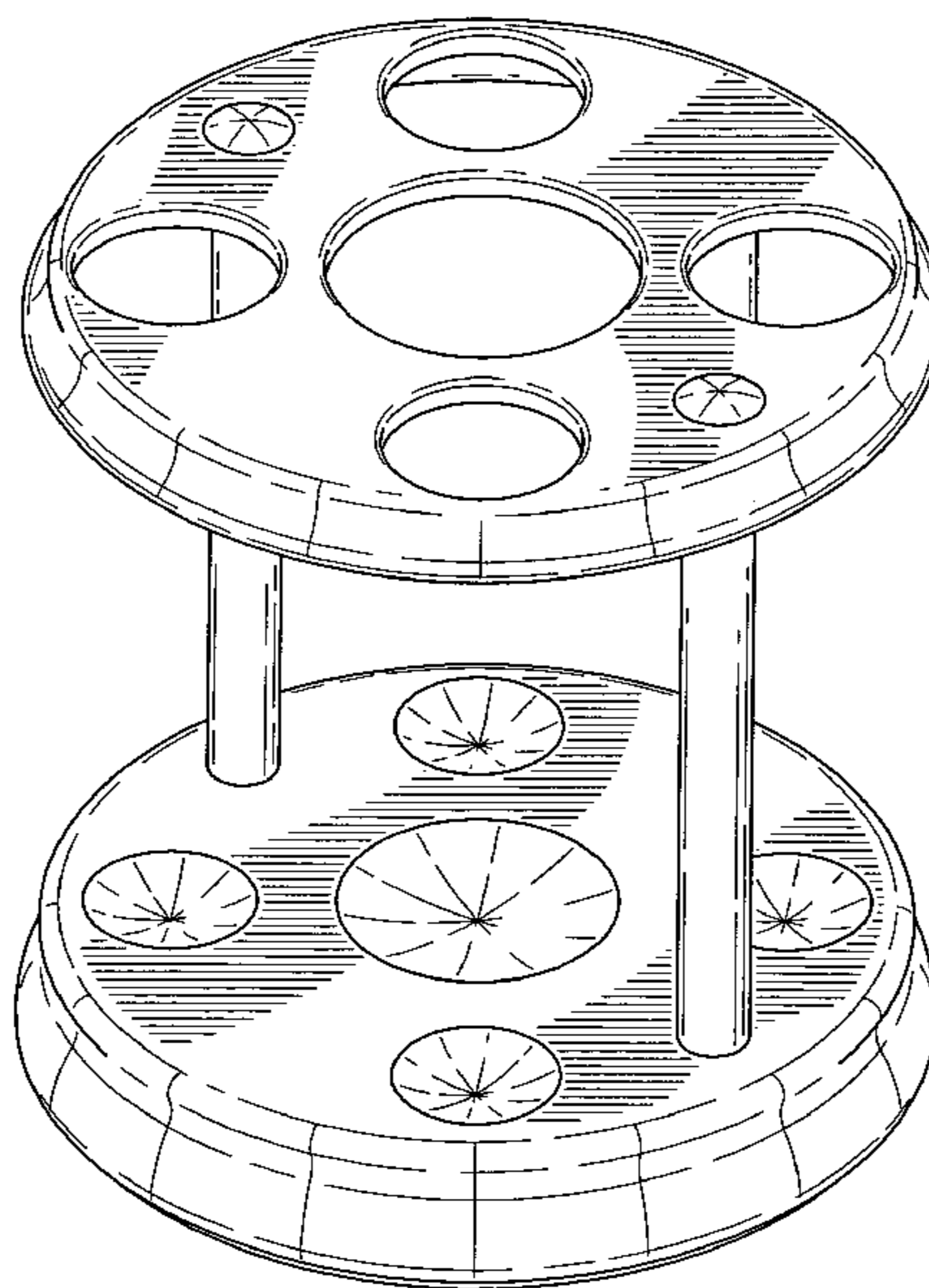
(57) **CLAIM**

The ornamental design for an toothbrush stand, as shown and described.

**DESCRIPTION**

FIG. 1 is a top perspective view of the toothbrush stand according to the invention;  
FIG. 2 is a bottom perspective view of the toothbrush stand according to the invention;  
FIG. 3 a top view of the toothbrush stand as shown in FIG. 1;  
FIG. 4 is a front view of the toothbrush stand as shown in FIG. 1; which is identical to the rear view;  
FIG. 5 is a side view of the toothbrush stand as shown in FIG. 1, which is identical to the other side view; and,  
FIG. 6 is a bottom view of the toothbrush stand as shown in FIG. 1.

**1 Claim, 4 Drawing Sheets**



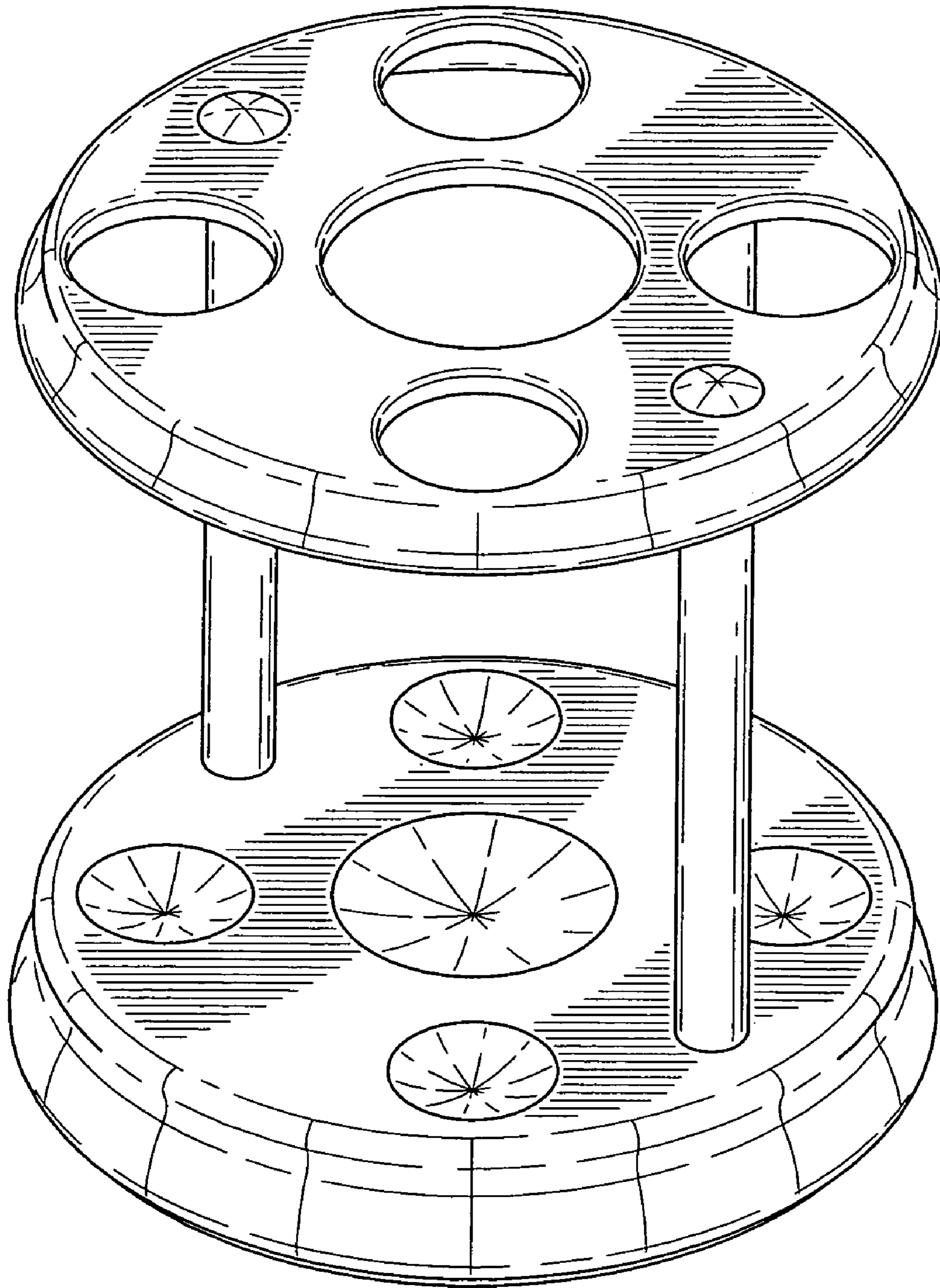


FIG-1

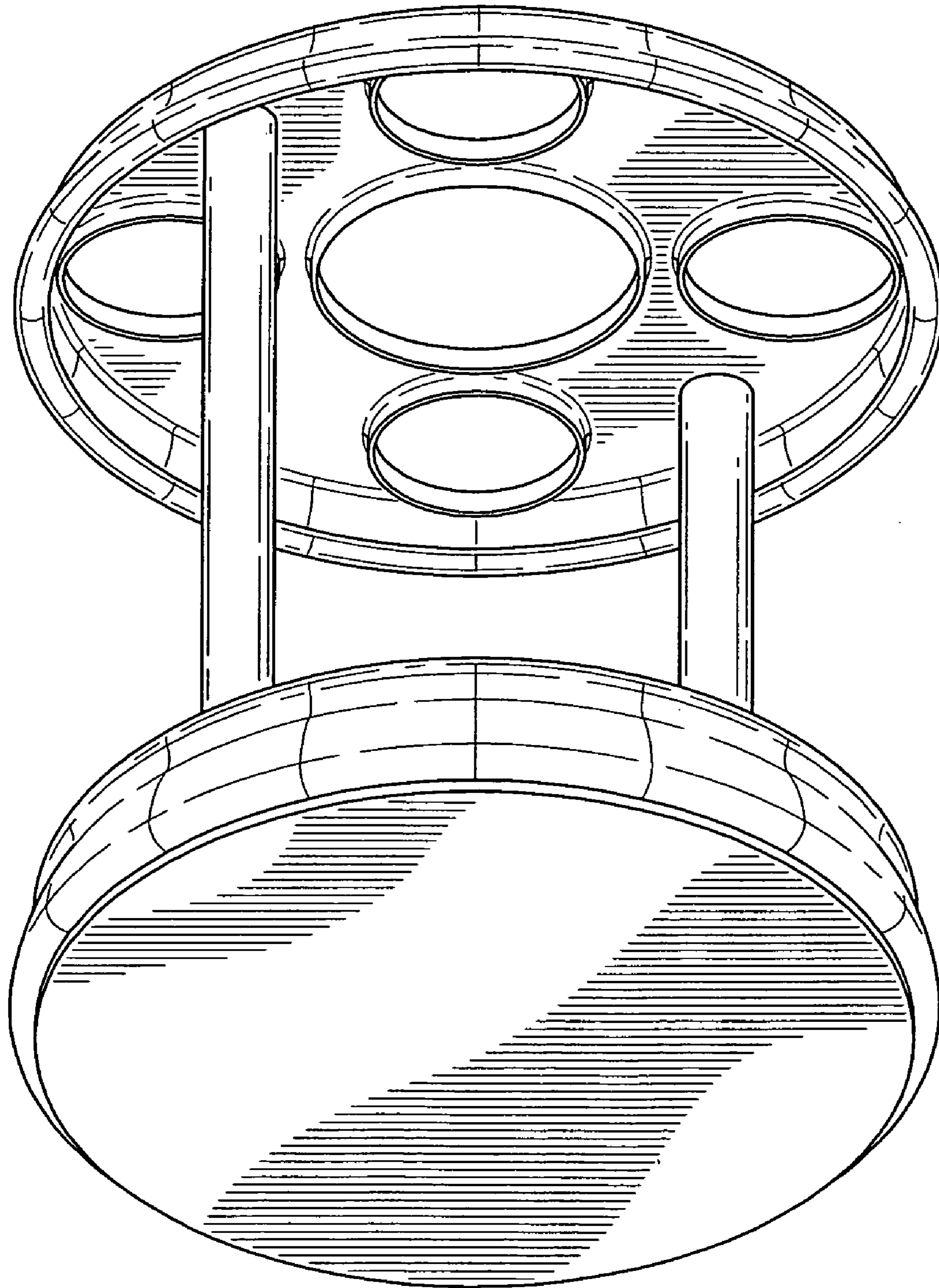


FIG-2

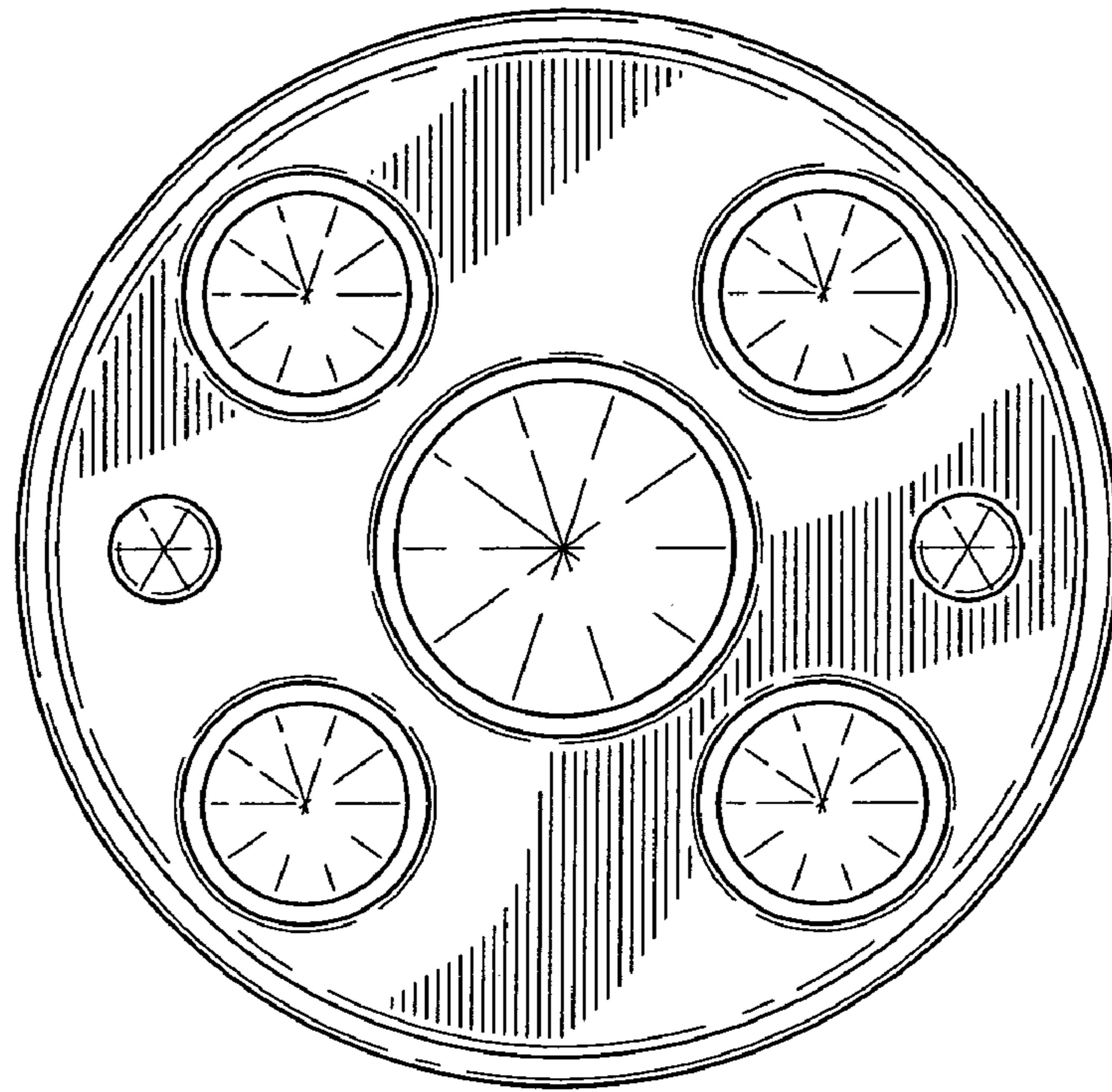


FIG-3

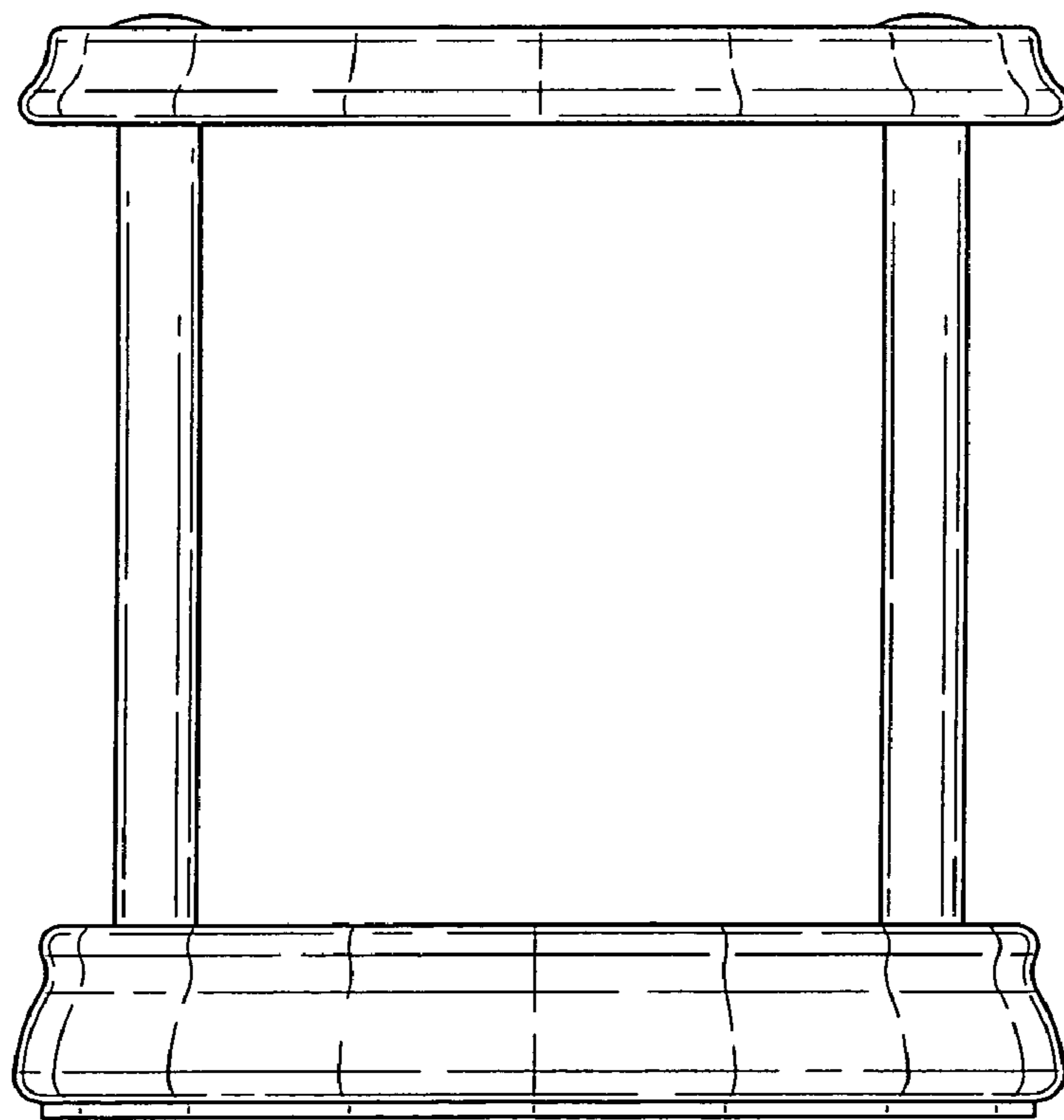


FIG-4

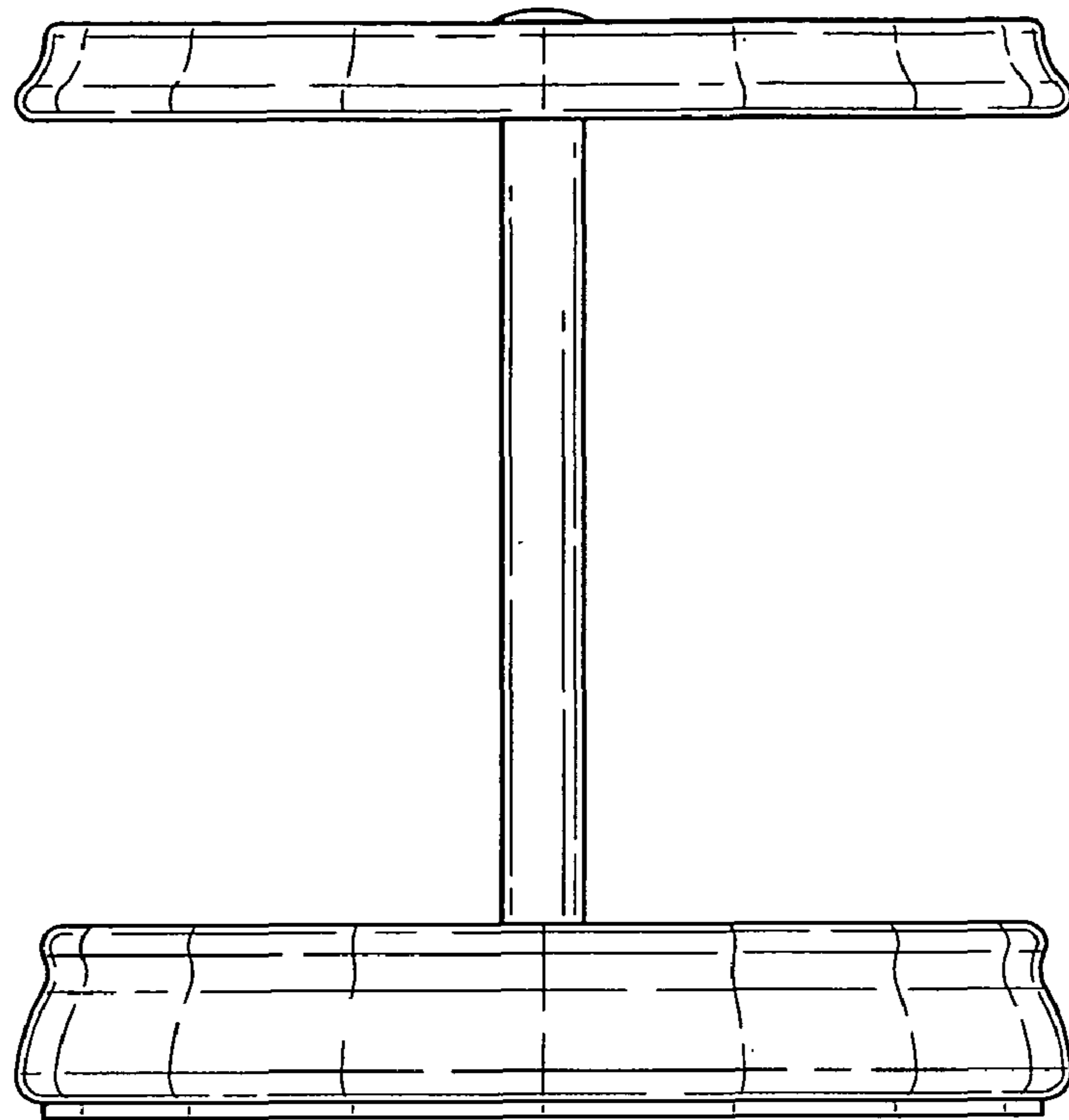


FIG-5

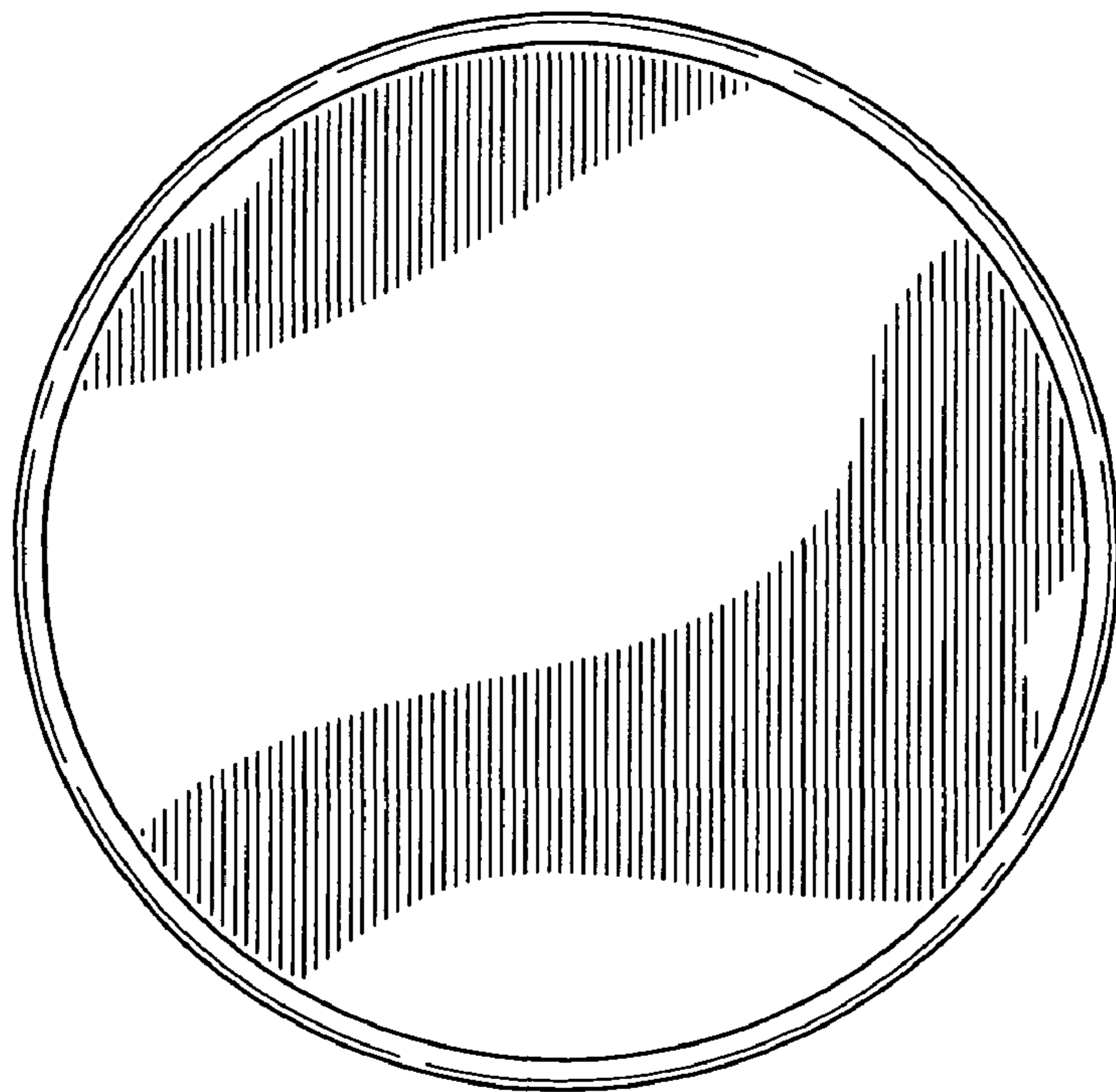


FIG-6