



US00D639093S

(12) **United States Design Patent**
Kraemer

(10) **Patent No.:** **US D639,093 S**

(45) **Date of Patent:** **** *Jun. 7, 2011**

(54) **TOOTHBRUSH STAND**

D615,334 S * 5/2010 Ghiorghie D6/534
D615,335 S * 5/2010 Snell D6/534
D619,395 S * 7/2010 Snell D6/534

(75) Inventor: **Kevin Kraemer**, Cuyahoga Falls, OH
(US)

(73) Assignee: **InterDesign, Inc.**, Solon, OH (US)

(*) Notice: This patent is subject to a terminal disclaimer.

(**) Term: **14 Years**

(21) Appl. No.: **29/372,232**

(22) Filed: **Oct. 29, 2010**

(51) **LOC (9) Cl.** **23-02**

(52) **U.S. Cl.** **D6/534**

(58) **Field of Classification Search** D6/524,
D6/526, 527, 528, 534; 206/208, 228, 209,
206/209.1, 361, 362, 362.1, 362.2, 362.3;
211/13.1, 66, 70.6, 86.01, 87.01

See application file for complete search history.

OTHER PUBLICATIONS

InterDesign, Inc. Product Brochure—2000, p. 4, 5.
InterDesign, Inc. Product Brochure—2001, p. 12, 13.
InterDesign, Inc. Product Brochure—2003, pp. 6, 9, 10, 11, 15, 16,
17, 22, 23, 24.
InterDesign, Inc. Product Brochure—2004, p. 24, 28, 29, 30, 31.
InterDesign, Inc. Product Brochure—2005, p. 6.
InterDesign, Inc. Product Brochure—2006, pp. 2, 3, 4, 5.
InterDesign, Inc. Product Brochure—2007, pp. 2, 3, 4, 5.
InterDesign, Inc. Product Brochure—2008, pp. 28, 29.
InterDesign, Inc. Product Brochure—2009, pp. 3, 4, 5, 7, 8, 11.

* cited by examiner

Primary Examiner — Brian N Vinson

(74) *Attorney, Agent, or Firm* — D. Peter Hochberg; Sean F. Mellino; Daniel J. Smola

(57) **CLAIM**

The ornamental design for a toothbrush stand, as shown and described.

DESCRIPTION

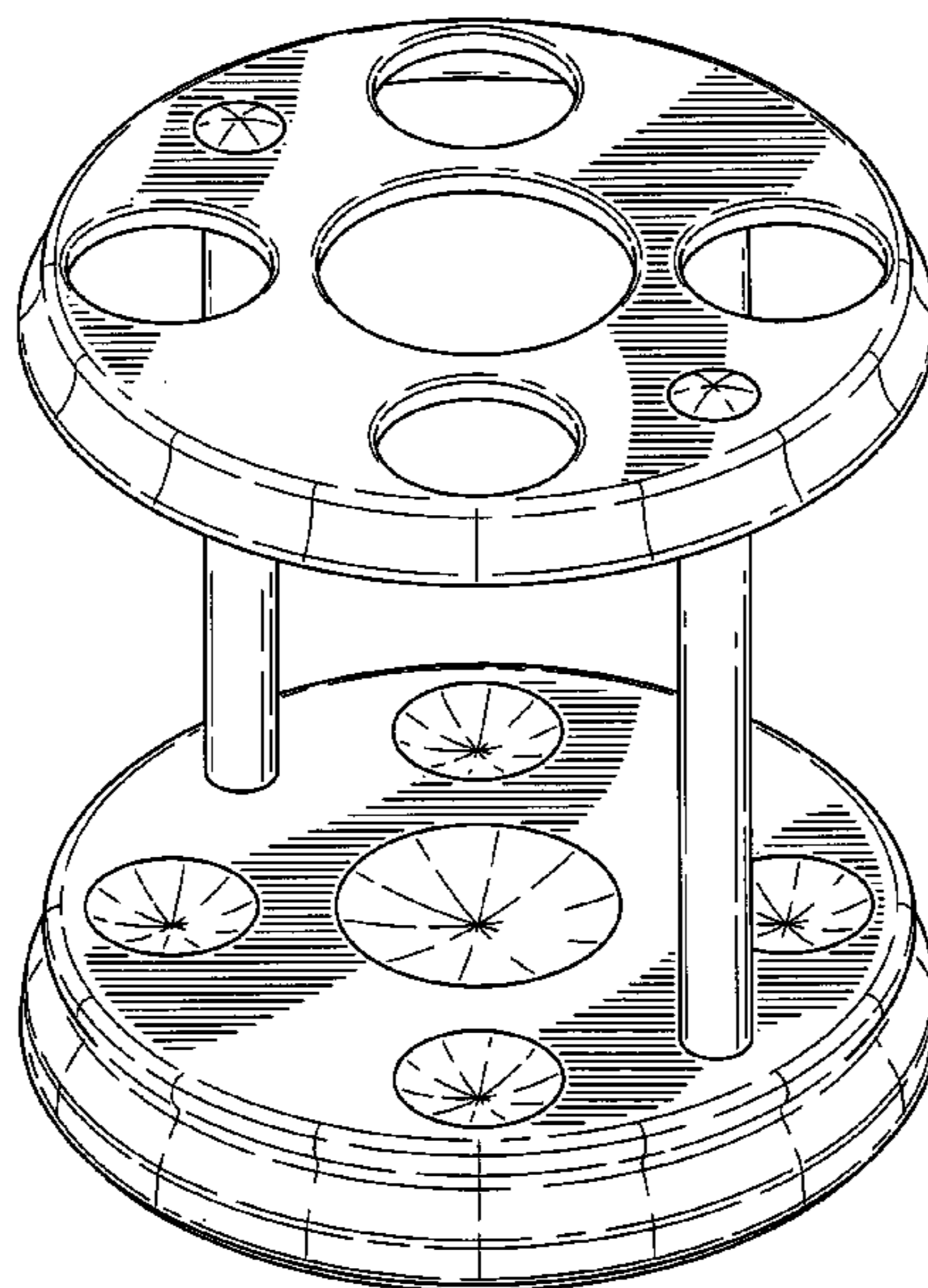
FIG. 1 is an upper perspective view of the toothbrush stand according to the invention;
FIG. 2 is a lower perspective view of the toothbrush stand according to the invention;
FIG. 3 is a top view of the toothbrush stand as shown in FIG. 1 and FIG. 2;
FIG. 4 is a front view of the toothbrush stand as shown in FIG. 1 and FIG. 2, the rear view being identical thereto;
FIG. 5 is a side view of the toothbrush stand as shown in FIG. 1 and FIG. 2, the opposing side being identical thereto; and,
FIG. 6 is bottom view of the toothbrush stand as shown in FIG. 1 and FIG. 2.

1 Claim, 4 Drawing Sheets

(56) **References Cited**

U.S. PATENT DOCUMENTS

D477,734 S	7/2003	Snell	
D478,230 S	8/2003	Dretzka	
D478,231 S	8/2003	Snell	
D482,222 S	11/2003	Dretzka	
D499,918 S	12/2004	Snell	
D530,122 S	10/2006	Snell	
D530,552 S	10/2006	Snell	
D530,949 S	10/2006	Snell	
D530,950 S	10/2006	Dretzka	
D546,607 S	7/2007	Dretzka	
D576,829 S	9/2008	Dretzka	
D599,591 S *	9/2009	Snell	D6/534
D599,592 S *	9/2009	Dretzka	D6/534
D599,593 S *	9/2009	Ghiorghie	D6/534



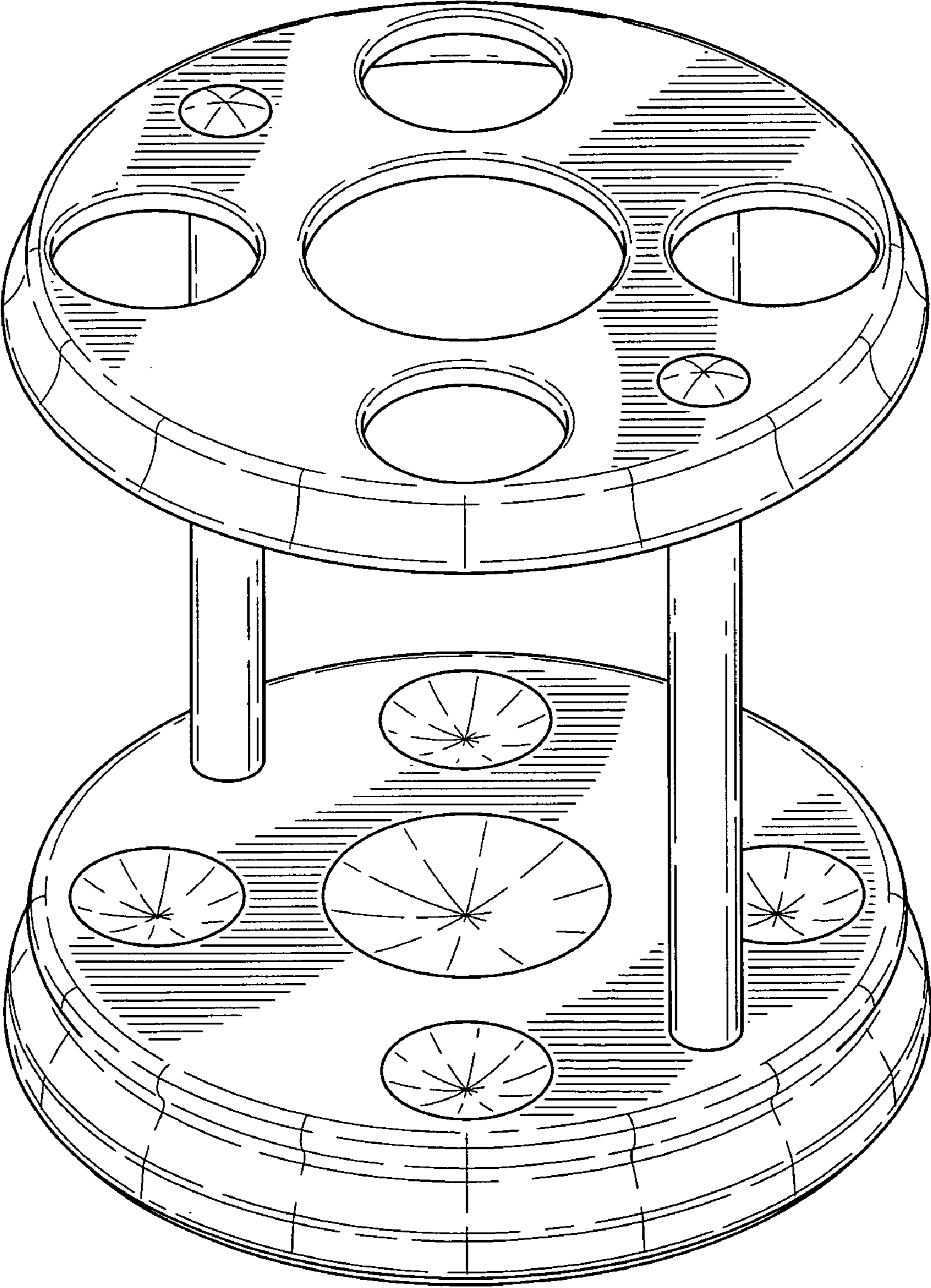


FIG-1

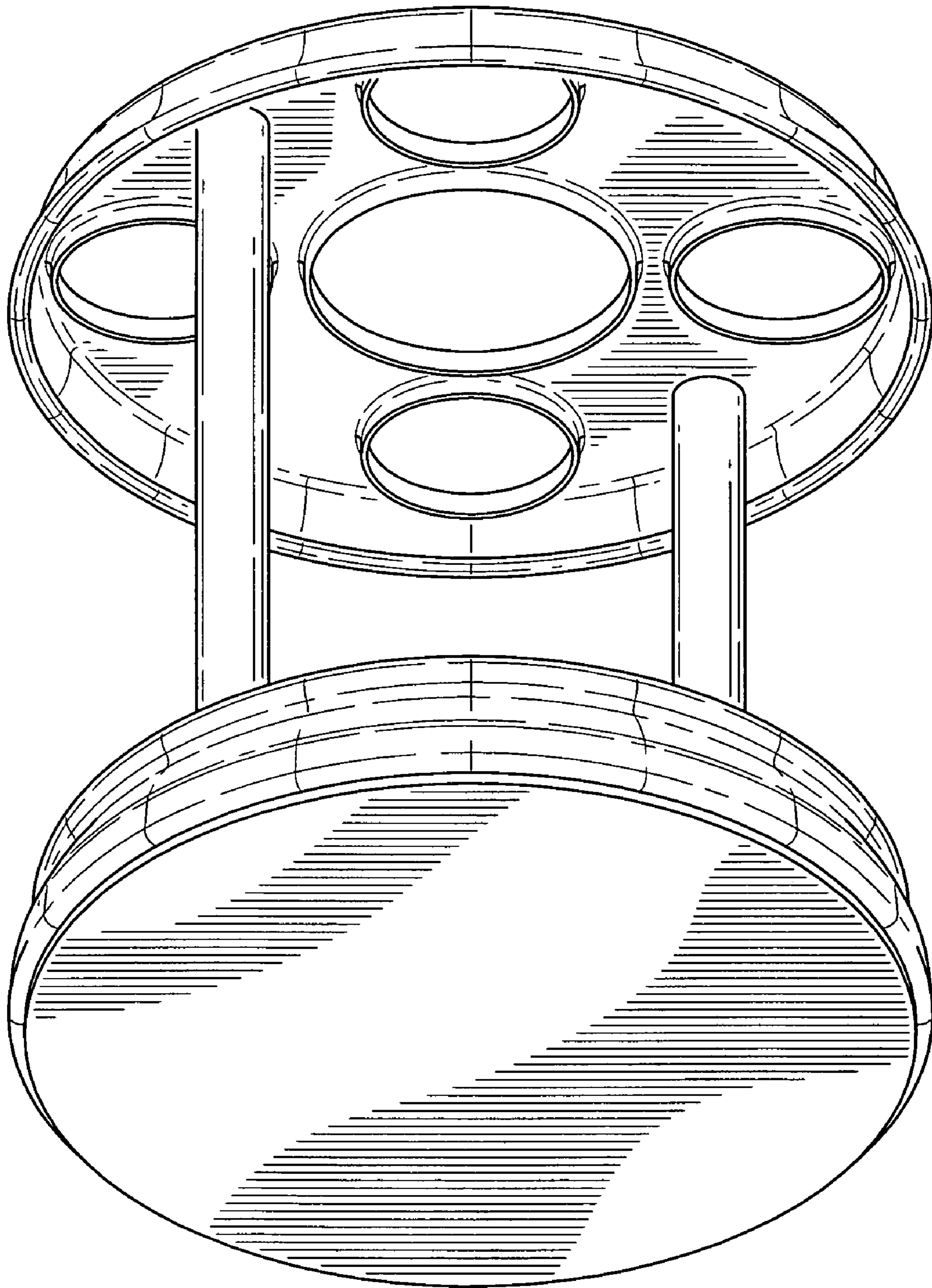


FIG-2

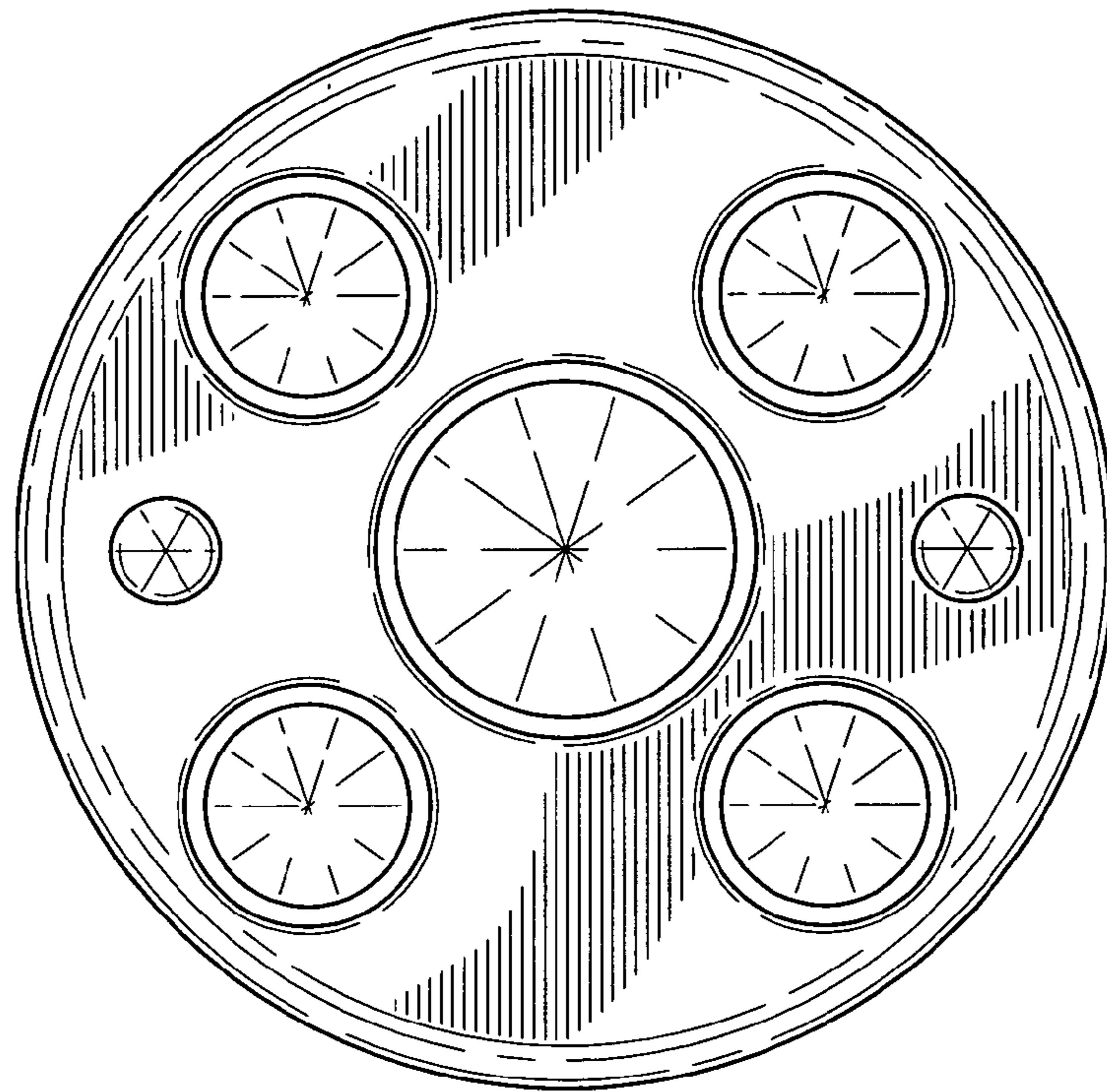


FIG-3

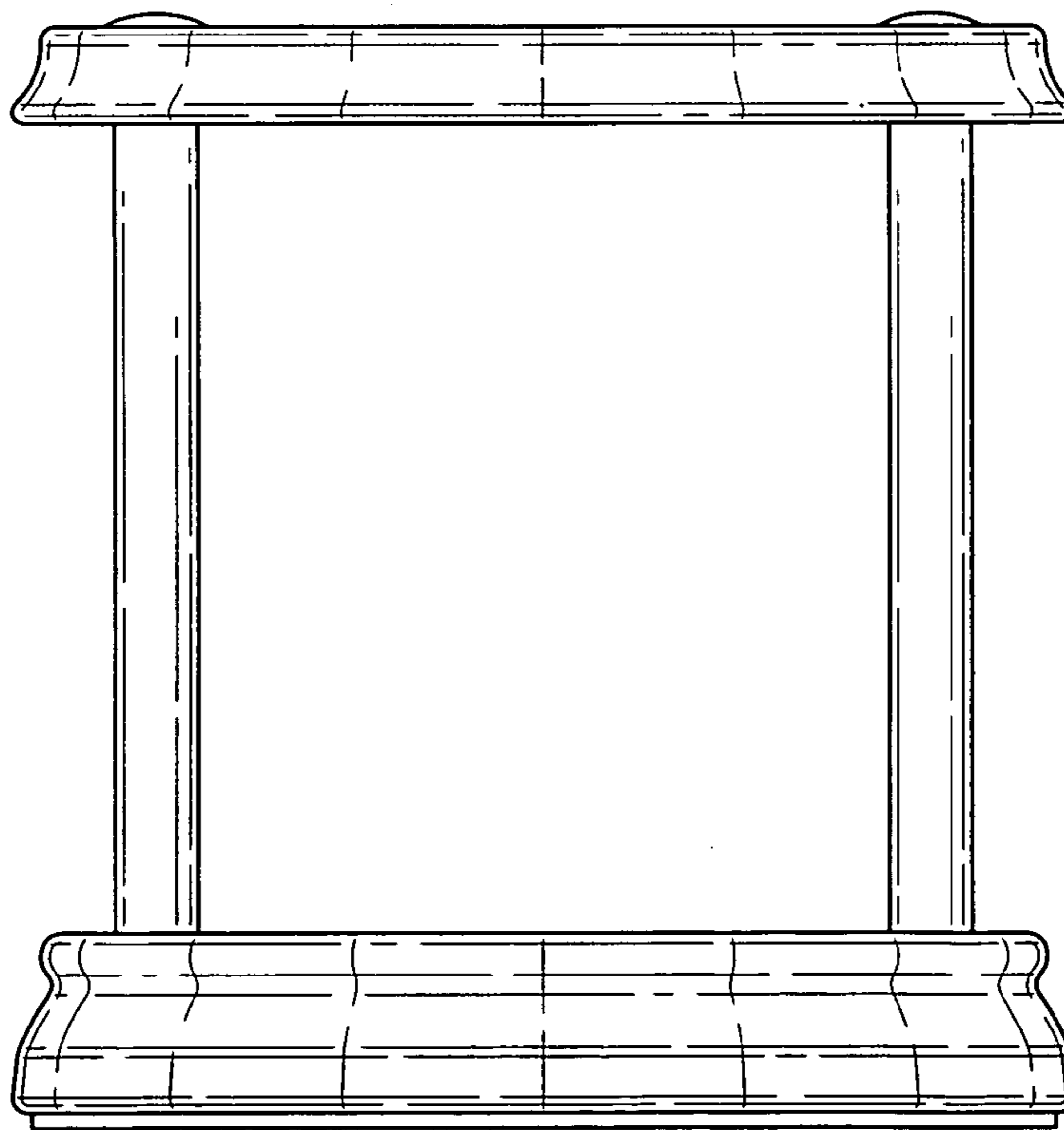


FIG-4

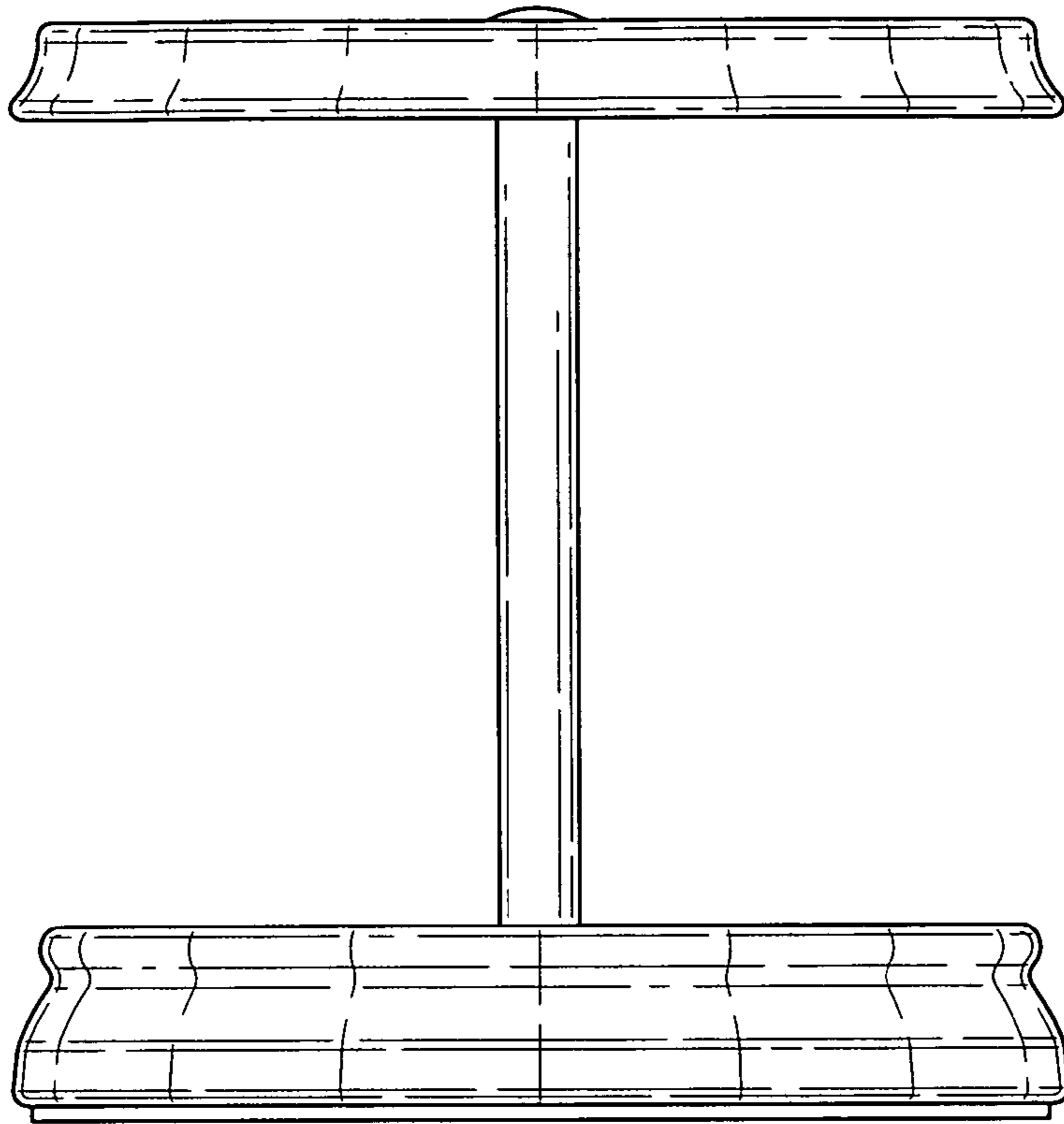


FIG-5

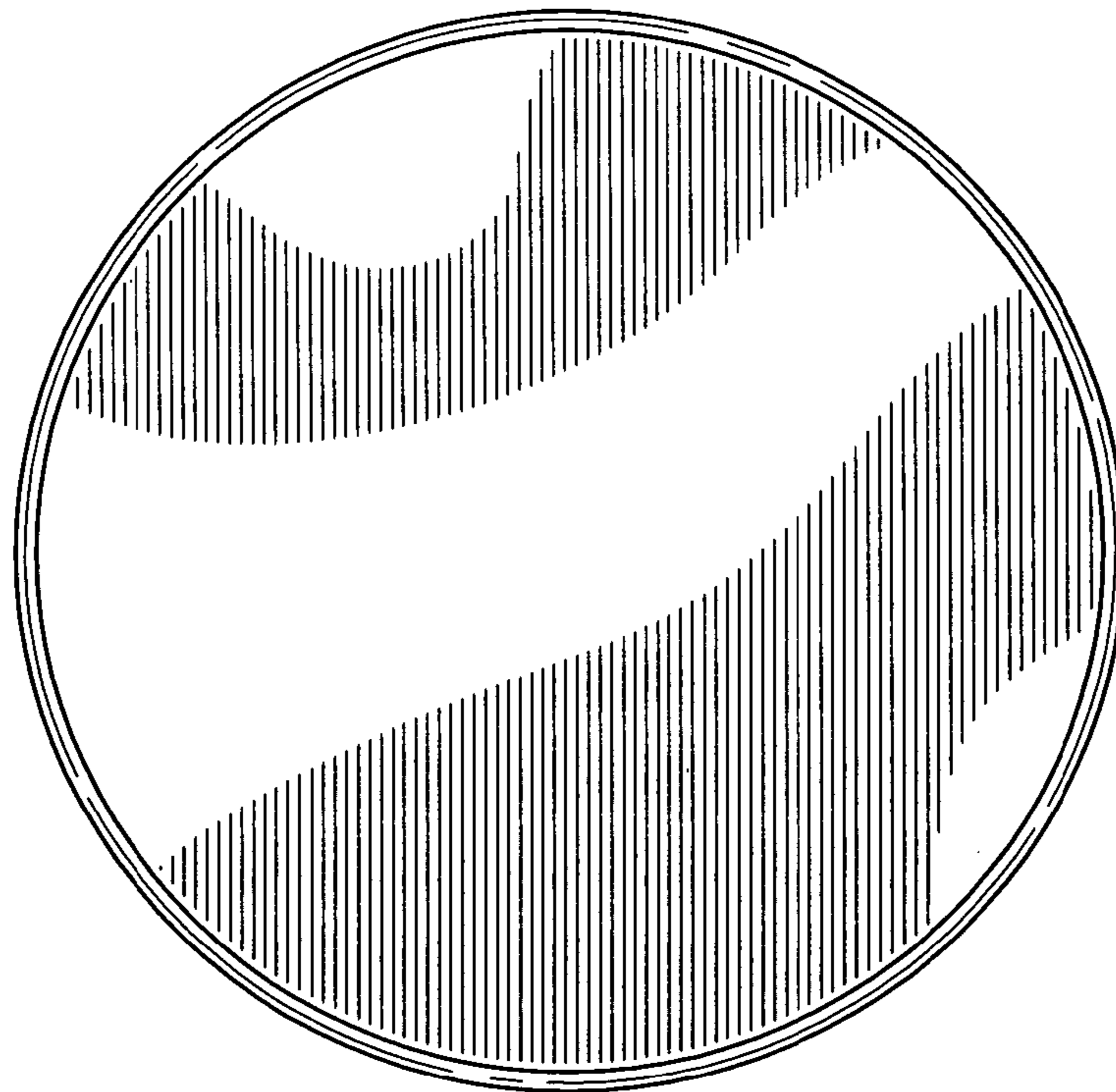


FIG-6