



US00D639092S

(12) **United States Design Patent**
Lundy

(10) **Patent No.:** **US D639,092 S**
(45) **Date of Patent:** **** Jun. 7, 2011**

(54) **HEADBOARD CADDY**

(76) Inventor: **Patricia A. Lundy**, Smithville, GA (US)

(**) Term: **14 Years**

(21) Appl. No.: **29/378,113**

(22) Filed: **Oct. 29, 2010**

(51) **LOC (9) Cl.** **06-06**

(52) **U.S. Cl.** **D6/513; D6/567**

(58) **Field of Classification Search** D3/304,
D3/306; 206/202, 513, 557; 211/13.1, 41.3,
211/41.4, 86.01, 88.01, 134, 126.1, 181.1;
248/302; 220/485, 488; D6/513, 553, 567,
D6/525

See application file for complete search history.

(56) **References Cited**

U.S. PATENT DOCUMENTS

3,967,666	A	7/1976	Farrar	
D257,090	S *	9/1980	King, Jr.	D6/567
D301,101	S *	5/1989	Meyer	D6/567
5,125,519	A	6/1992	Cambria	
D335,232	S *	5/1993	Whitlock	D6/525
5,370,246	A	12/1994	Traynor	
D365,232	S *	12/1995	Briault	D6/513

5,581,829	A	12/1996	Lee	
D392,804	S *	3/1998	Wilkening et al.	D6/513
5,758,972	A	6/1998	Mack et al.	
D420,510	S	2/2000	Rotan	
D451,054	S *	11/2001	Thom et al.	D6/513
7,080,416	B1 *	7/2006	Portnell	D6/525
D608,574	S *	1/2010	Goodman et al.	D6/513

* cited by examiner

Primary Examiner — Brian N Vinson

(74) *Attorney, Agent, or Firm* — Montgomery Patent and Design; Robert C. Montgomery; Joseph T. Yaksich

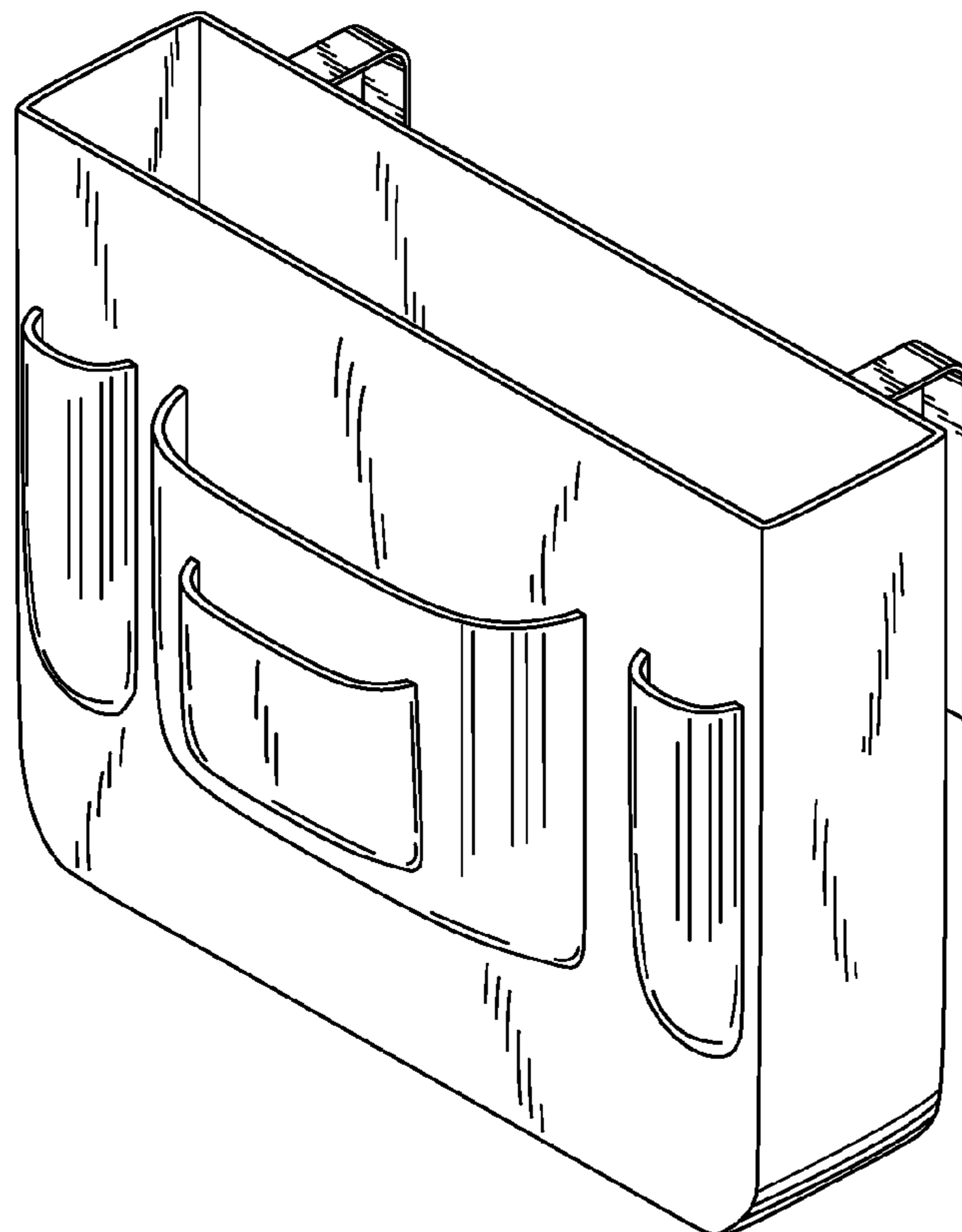
(57) **CLAIM**

The ornamental design for a headboard caddy, as shown and described.

DESCRIPTION

FIG. 1 is a front perspective view of a headboard caddy, showing my new design;
FIG. 2 is a front view thereof;
FIG. 3 is a rear view thereof;
FIG. 4 is a right side view thereof with a left side view being a mirror image;
FIG. 5 is top view thereof; and,
FIG. 6 is a bottom view thereof.

1 Claim, 6 Drawing Sheets



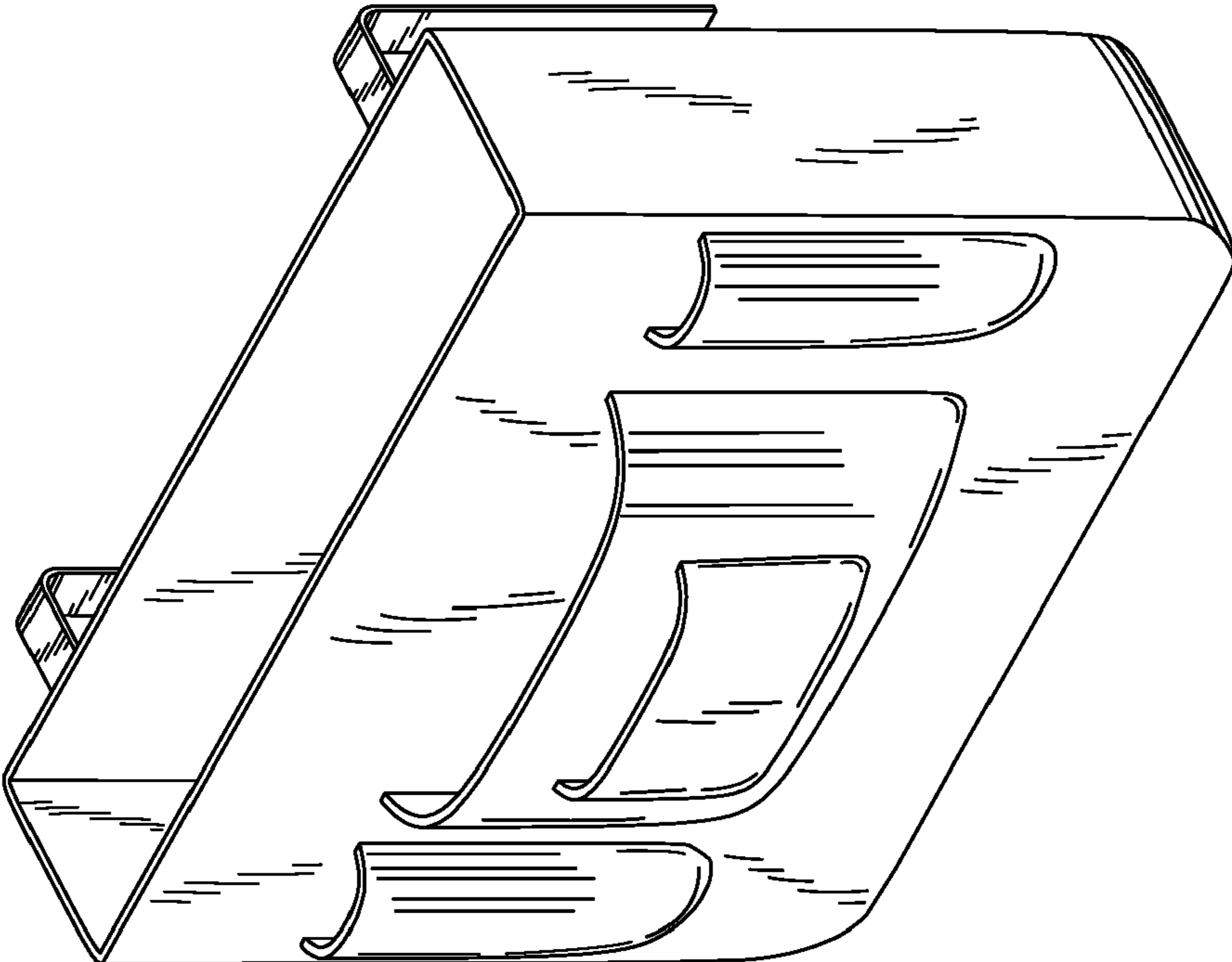


Fig. 1

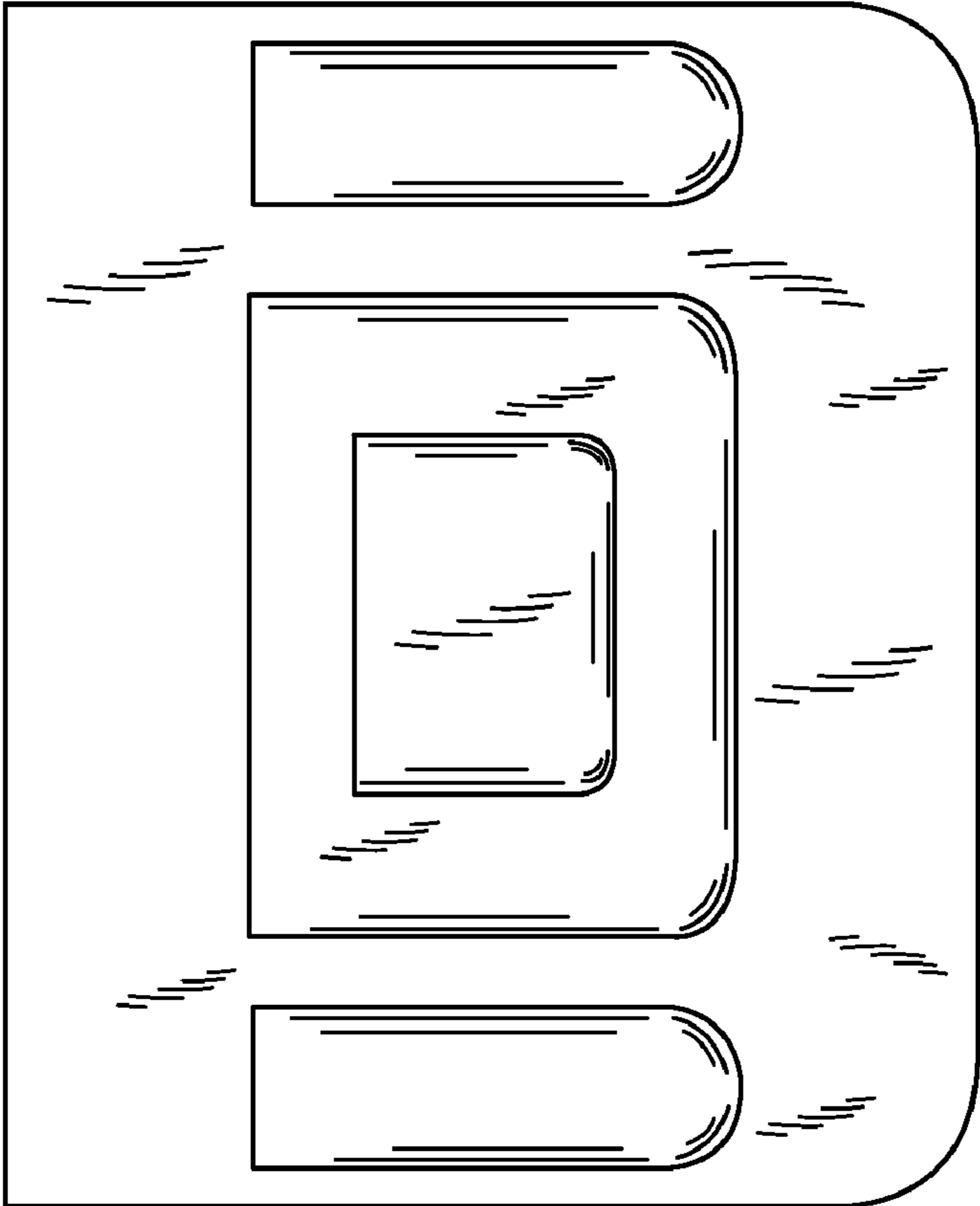


Fig. 2

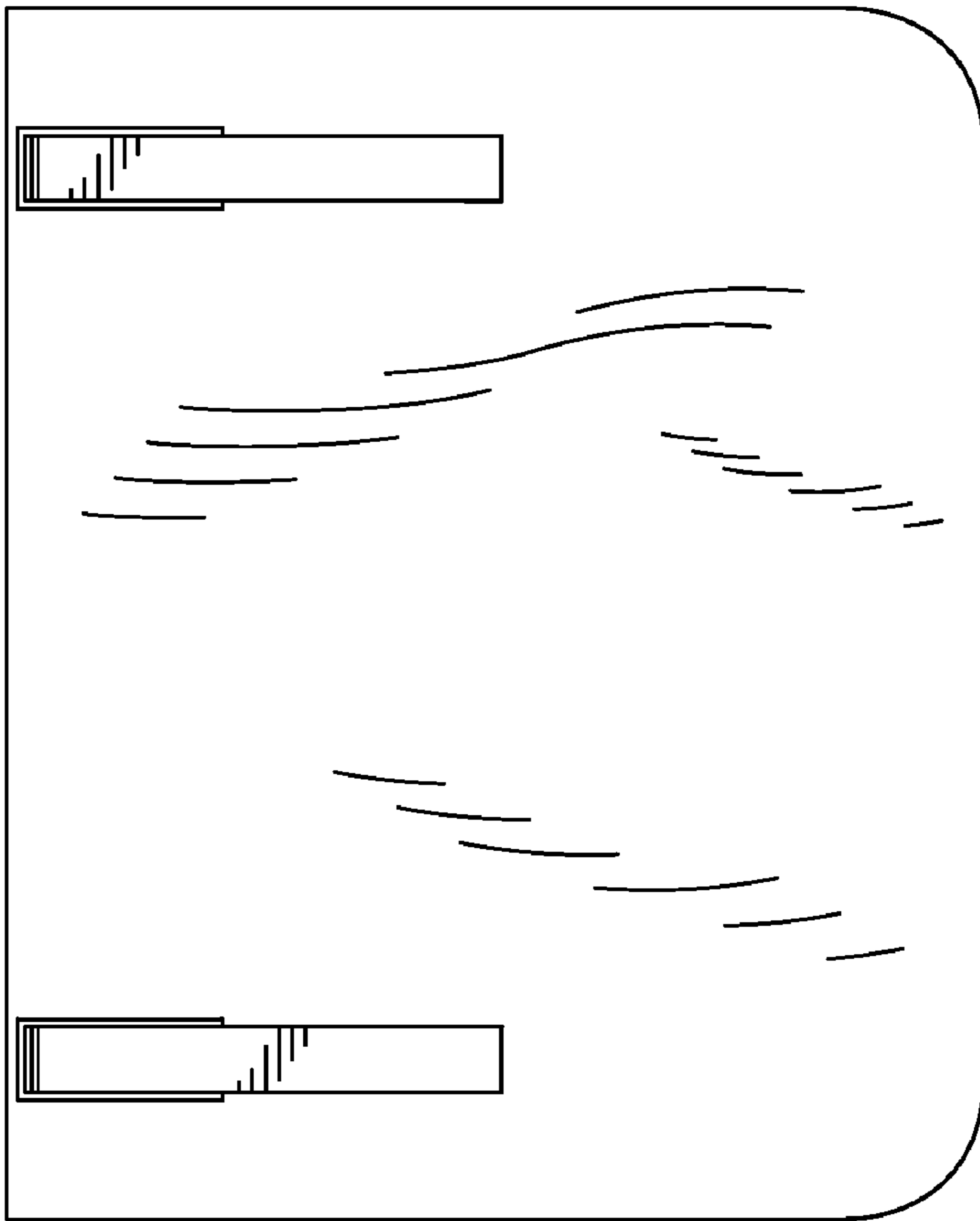


Fig. 3

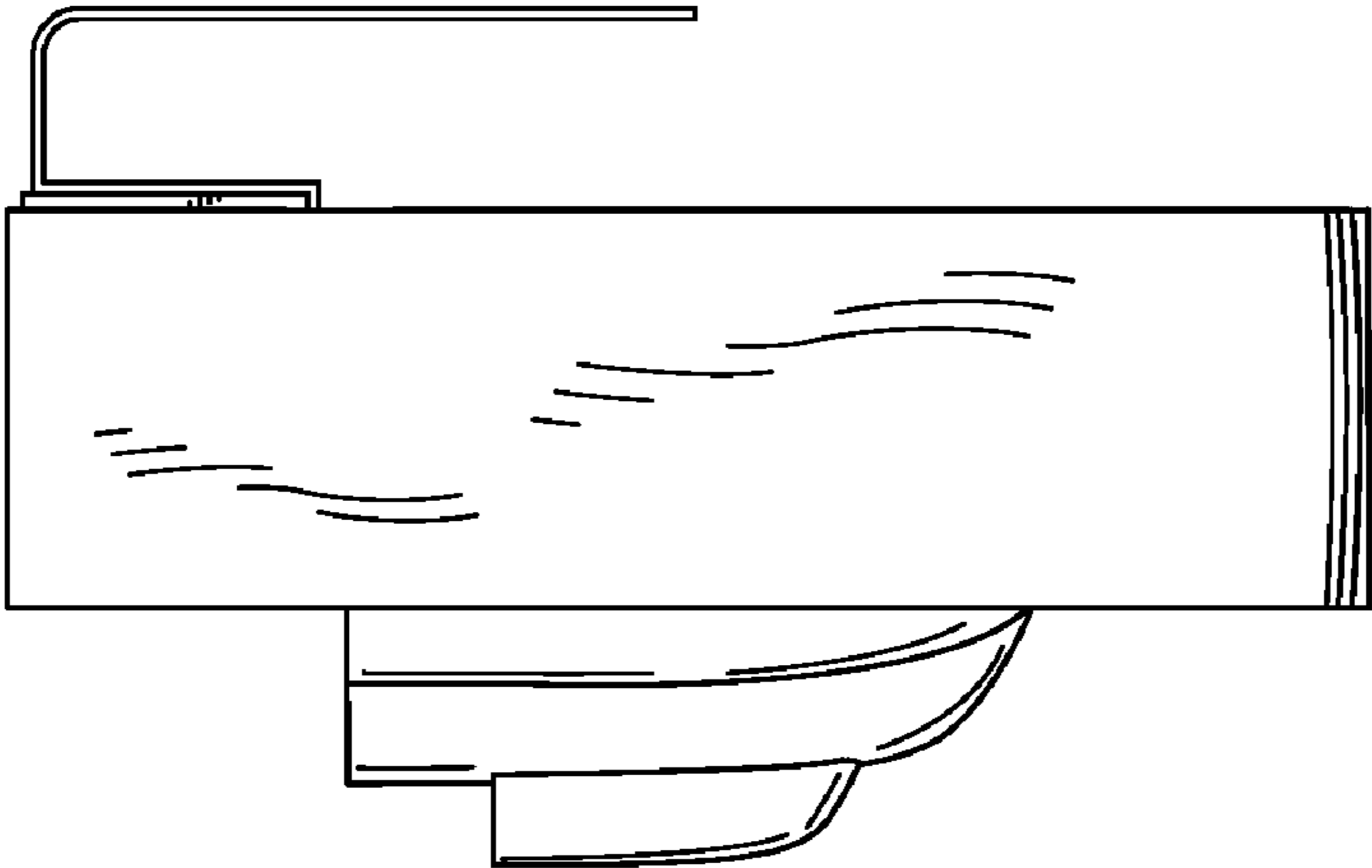


Fig. 4

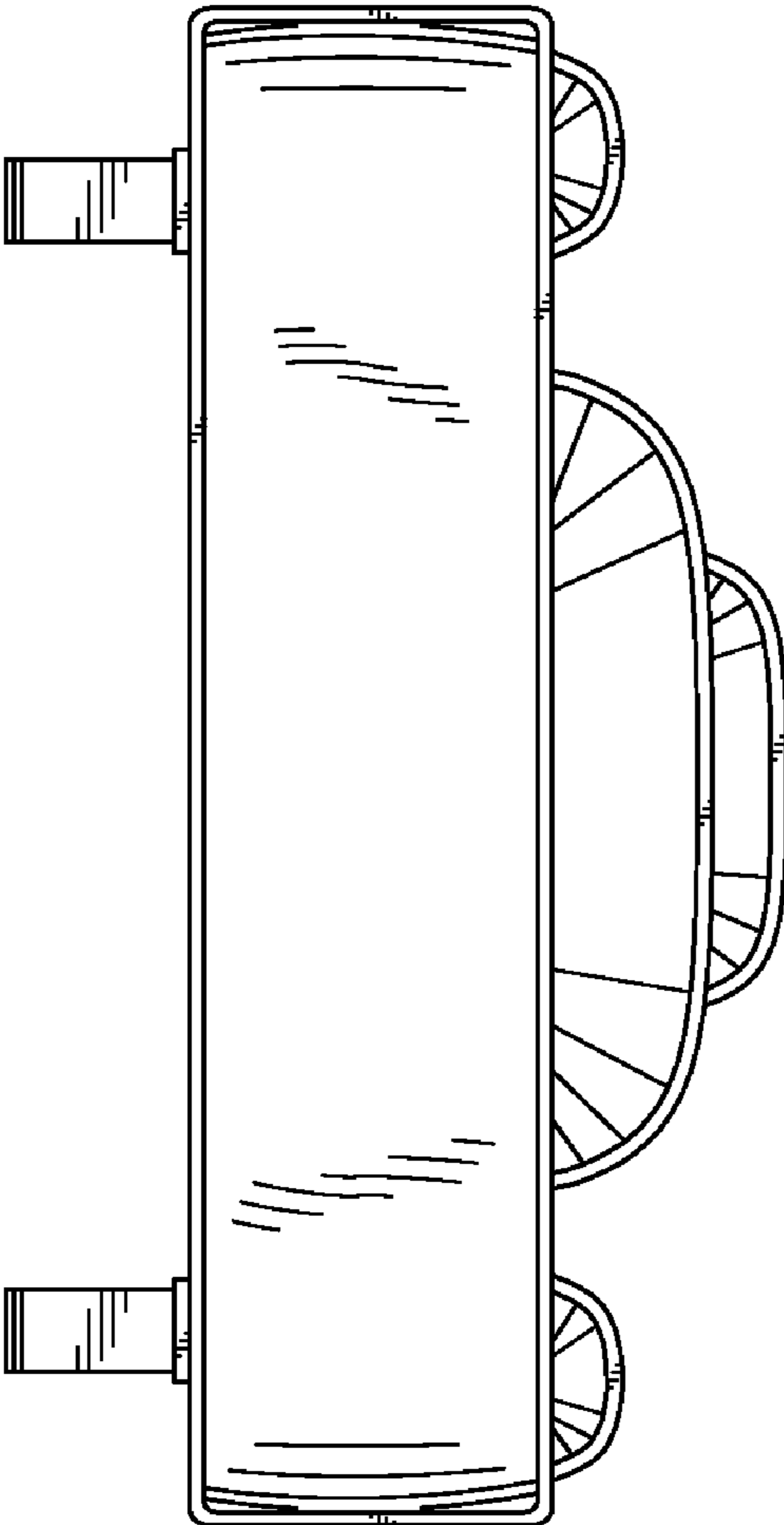


Fig. 5

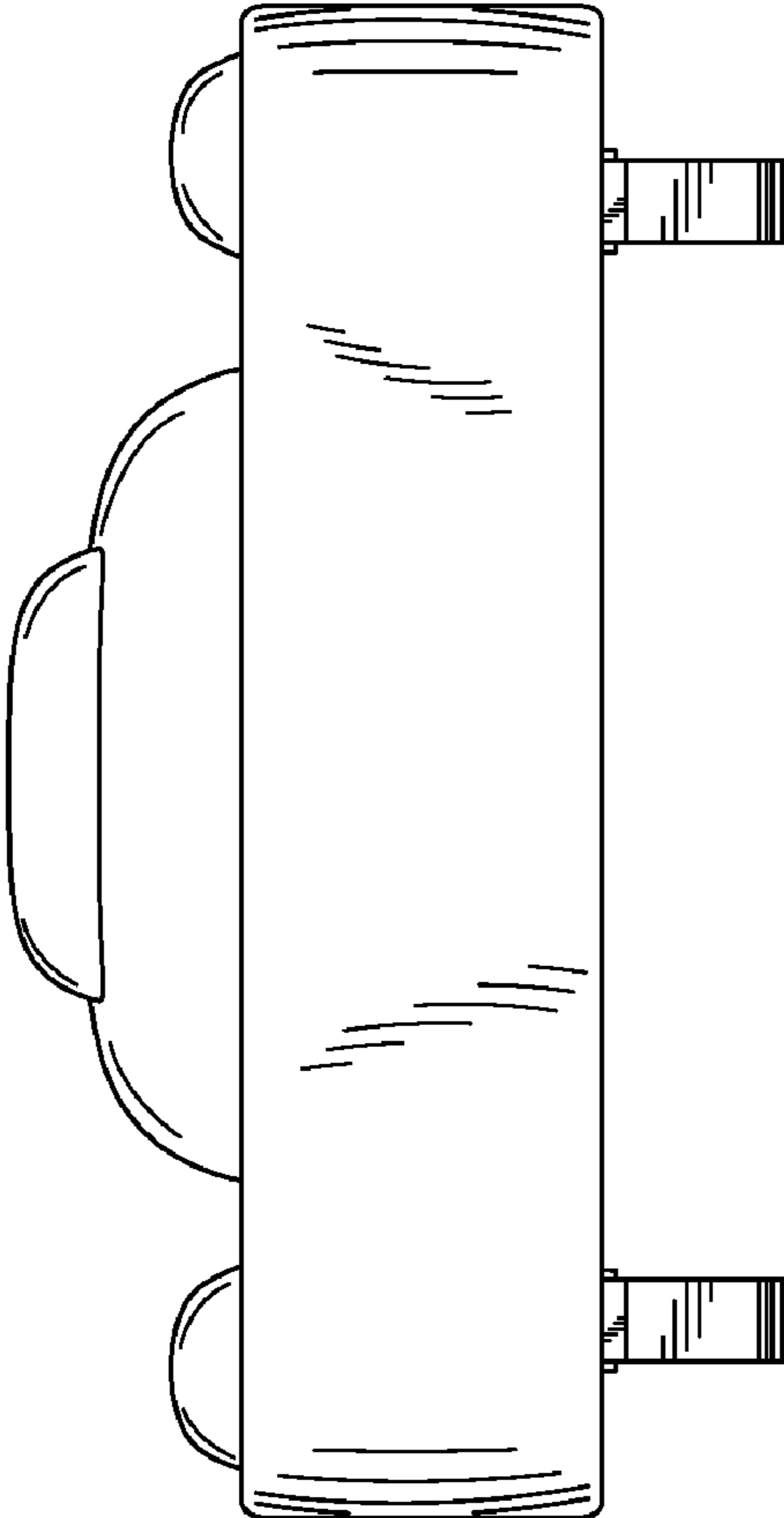


Fig. 6