



US00D639091S

(12) **United States Design Patent**  
**Behar et al.**

(10) **Patent No.:** **US D639,091 S**  
(45) **Date of Patent:** **\*\* Jun. 7, 2011**

(54) **BACKREST**

(75) Inventors: **Yves Behar**, San Francisco, CA (US);  
**Bret Recor**, San Francisco, CA (US);  
**Qin Li**, South San Francisco, CA (US);  
**Naoya Edahiro**, San Francisco, CA  
(US); **Noah Murphy-Reinhertz**, San  
Francisco, CA (US); **Matthew Swinton**,  
Brooklyn, NY (US)

3,111,344 A 11/1963 Hoven et al.  
3,138,404 A 6/1964 Newton  
D201,355 S 6/1965 Cavelli  
3,198,578 A 8/1965 Geoffrey et al.  
3,241,879 A 3/1966 Castello et al.  
(Continued)

**FOREIGN PATENT DOCUMENTS**

CA 1315186 3/1993  
(Continued)

(73) Assignee: **Herman Miller, Inc.**, Zeeland, MI (US)

(\*\*) Term: **14 Years**

(21) Appl. No.: **29/359,625**

(22) Filed: **Apr. 13, 2010**

(51) **LOC (9) Cl.** ..... **06-01**

(52) **U.S. Cl.** ..... **D6/502; D6/366**

(58) **Field of Classification Search** ..... D6/334-336,  
D6/360-369, 373-374, 379-380, 498, 500-502,  
D6/601; 297/284.4-284.5, 291, 297, 411.2,  
297/411.27-411.29, 452.13, 452.19, 452.21,  
297/452.29, 452.3, 452.56, 452.64

See application file for complete search history.

**OTHER PUBLICATIONS**

Search Report from Great Britain Application No. GB 0414694.0,  
dated Sep. 1, 2005, 1 page.

(Continued)

*Primary Examiner* — Caron Veynar

*Assistant Examiner* — Ricky Pham

(74) *Attorney, Agent, or Firm* — Brinks Hofer Gilson &  
Lione

(57) **CLAIM**

The ornamental design for a backrest, as shown and  
described.

**DESCRIPTION**

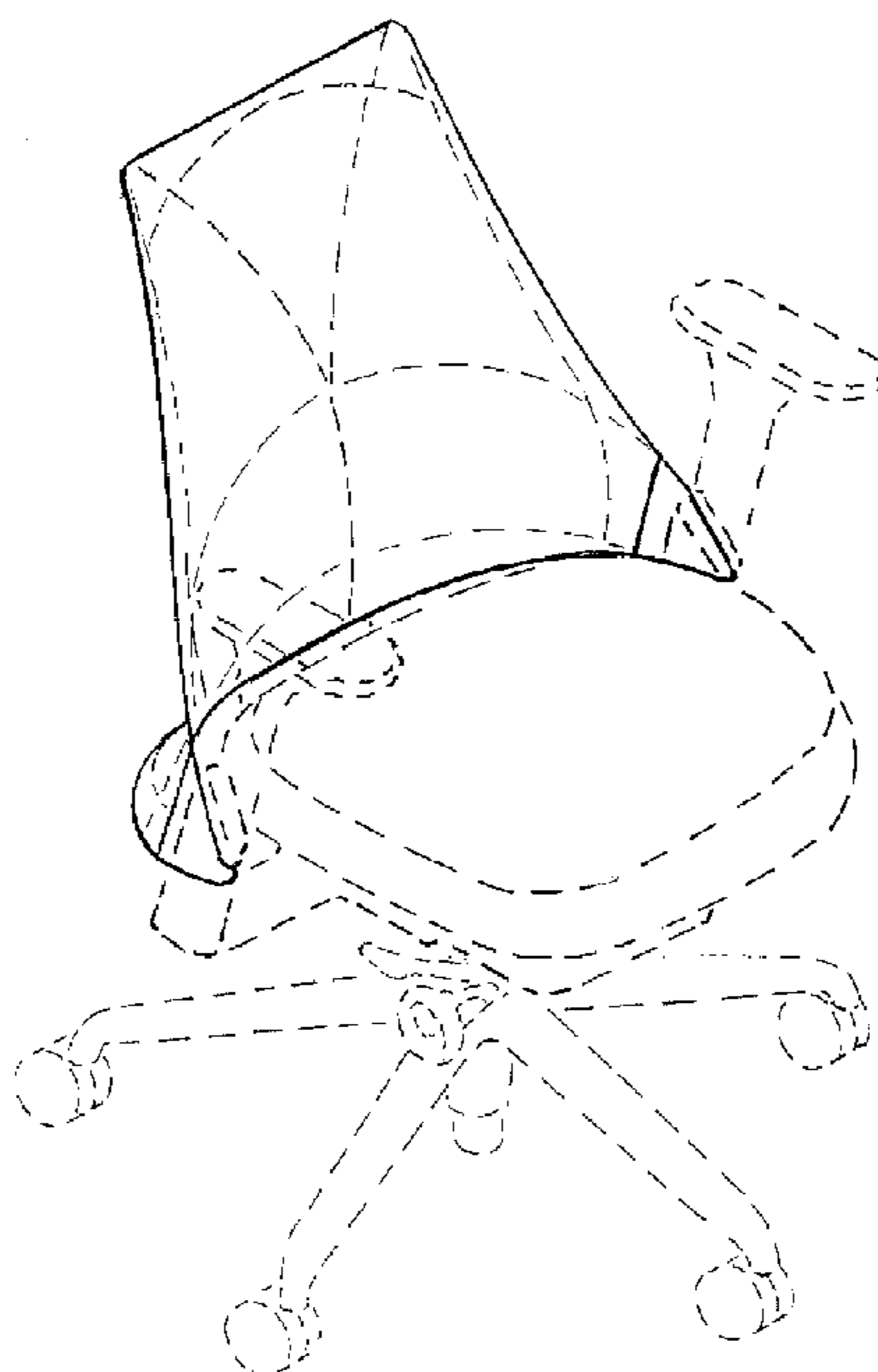
FIG. 1 is a perspective view of a backrest;  
FIG. 2 is a left side view of the backrest shown in FIG. 1;  
FIG. 3 is a right side view of the backrest shown in FIG. 1;  
FIG. 4 is a front view of the backrest shown in FIG. 1;  
FIG. 5 is a rear view of the backrest shown in FIG. 1;  
FIG. 6 is a top view of the backrest shown in FIG. 1; and,  
FIG. 7 is a bottom view of the backrest shown in FIG. 1.  
The broken lines showing various aspects of a chair to which  
the backrest is affixed in FIGS. 1-7 are for environmental  
purposes only and do not form any part of the claimed design.

**1 Claim, 4 Drawing Sheets**

(56) **References Cited**

**U.S. PATENT DOCUMENTS**

2,549,902 A 4/1951 Hibbard et al.  
2,558,171 A 6/1951 Chesley  
2,745,468 A 5/1956 Kramer  
2,756,809 A 7/1956 Endresen  
2,894,565 A 7/1959 Conner  
2,931,427 A 4/1960 Goldstein  
2,952,300 A 9/1960 Cohen  
3,006,688 A 10/1961 Ouellette  
3,014,762 A 12/1961 Mauser  
3,059,919 A 10/1962 Marchino  
3,095,236 A 6/1963 Klassen



# US D639,091 S

Page 2

U.S. PATENT DOCUMENTS					
3,446,530	A	5/1969 Rowland	5,393,125	A	2/1995 Watson et al.
3,608,960	A	9/1971 Sherman	D358,515	S	5/1995 Adat
3,708,202	A	1/1973 Barecki et al.	5,415,459	A	5/1995 Schultz
3,720,568	A	3/1973 Rowland	5,439,268	A	8/1995 Dozsa-Farkas
3,762,769	A	10/1973 Poschl	5,460,427	A	10/1995 Serber
3,767,261	A	10/1973 Rowland	5,478,137	A	12/1995 Olson et al.
3,814,474	A	6/1974 Baker et al.	5,484,187	A	1/1996 Doerner et al.
3,938,858	A	2/1976 Drabert et al.	5,486,035	A	1/1996 Koepke et al.
3,982,785	A	9/1976 Ambasz	5,487,591	A	1/1996 Knoblock
4,002,369	A	1/1977 Jennings	5,501,507	A	3/1996 Hummitzsch
4,118,069	A	10/1978 Hunter	D368,818	S	4/1996 Adat
4,153,293	A	5/1979 Sheldon	5,518,294	A	5/1996 Ligon, Sr. et al.
4,240,663	A	12/1980 Locher	5,553,917	A	9/1996 Adat et al.
4,298,227	A	11/1981 Berthier et al.	5,567,010	A	10/1996 Sparks
4,300,362	A	11/1981 Lande et al.	5,582,459	A	12/1996 Hama
4,313,637	A	2/1982 Barley	5,590,067	A	12/1996 Jones et al.
4,318,570	A	3/1982 Adam et al.	5,590,934	A	1/1997 Gibbs
4,350,388	A	9/1982 Weiner	5,597,203	A	1/1997 Hubbard
4,368,917	A	1/1983 Urai	5,599,067	A	2/1997 Schuelke et al.
4,390,210	A	6/1983 Wisniewski et al.	5,599,068	A	2/1997 Kelly et al.
D270,020	S *	8/1983 Drabert ..... D6/366	5,624,158	A	4/1997 Adat et al.
4,418,958	A	12/1983 Watkin	5,626,394	A	5/1997 Perry
D273,728	S	5/1984 Cafiero	5,630,643	A	5/1997 Scholten et al.
4,452,485	A	6/1984 Schuster	5,630,647	A	5/1997 Heidmann et al.
4,502,728	A	3/1985 Sheldon et al.	5,641,203	A	6/1997 Van De Riet et al.
4,502,729	A	3/1985 Locher	5,647,638	A	7/1997 Ritt et al.
2,843,195	A	7/1985 Barvaeus	5,651,586	A	7/1997 Groth
4,529,247	A	7/1985 Stumpf	5,655,814	A	8/1997 Gibbs
4,541,670	A	9/1985 Morgenstern et al.	5,662,381	A	9/1997 Roossien et al.
D281,210	S *	11/1985 Roberts ..... D6/502	5,664,841	A	9/1997 Dal Monte
4,556,254	A	12/1985 Roberts	5,667,277	A	9/1997 Van De Riet
4,570,994	A	2/1986 Lowrey	5,683,142	A	11/1997 Gunderson et al.
4,575,152	A	3/1986 McLaughin, Sr.	5,685,606	A	11/1997 Lance
4,576,351	A	3/1986 Brink	5,695,096	A	12/1997 Yquel
4,597,606	A	7/1986 Magee	5,704,689	A	1/1998 Kim
4,601,514	A	7/1986 Meiller	D390,712	S	2/1998 Koepke et al.
4,632,454	A	12/1986 Naert	D391,089	S *	2/1998 Chu ..... D6/366
4,634,178	A	1/1987 Carney	5,718,474	A	2/1998 Kojima et al.
4,641,885	A	2/1987 Brauning	5,718,476	A	2/1998 De Pascal et al.
4,648,653	A	3/1987 Rowland	5,725,276	A	3/1998 Ginat
4,695,096	A	9/1987 Kincaid	5,746,479	A	5/1998 Bodnar
4,718,724	A	1/1988 Quinton	5,749,628	A	5/1998 Synder et al.
4,722,569	A	2/1988 Morgenstern et al.	5,752,741	A	5/1998 Bort
4,730,871	A	3/1988 Sheldon	D394,961	S *	6/1998 Fancelli ..... D6/366
4,799,732	A	1/1989 Yamazaki	5,758,925	A	6/1998 Schrewe
4,810,033	A	3/1989 Kemmann	D396,155	S *	7/1998 Shamir ..... D6/502
4,900,085	A	2/1990 Tobler	5,782,536	A	7/1998 Heidmann et al.
4,909,568	A	3/1990 Dal Monte	5,791,733	A	8/1998 Van Hekken et al.
4,915,448	A	4/1990 Morgenstern	5,795,026	A	8/1998 Dral et al.
4,961,610	A	10/1990 Reeder et al.	5,797,652	A	8/1998 Darbyshire
4,968,093	A	11/1990 Dal Monte	5,848,823	A	12/1998 Su
4,981,325	A	1/1991 Zacharkow	5,853,223	A	12/1998 Ritt et al.
4,993,164	A	2/1991 Jacobsen	5,860,700	A	1/1999 Lance
5,009,467	A	4/1991 McCoy	5,863,095	A	1/1999 Rivard
5,018,786	A	5/1991 Goldstein et al.	5,868,466	A	2/1999 Massara et al.
5,026,116	A	6/1991 Dal Monte	5,871,256	A	2/1999 Kogai
5,076,643	A	12/1991 Colasanti	5,871,258	A	2/1999 Baffey
5,102,196	A	4/1992 Kaneda et al.	5,876,097	A	3/1999 Cao
5,106,161	A	4/1992 Meiller	D407,911	S	4/1999 Bräuning
5,112,106	A	5/1992 Asbjornsen et al.	5,895,095	A	4/1999 Chen
5,143,422	A	9/1992 Althofer et al.	5,904,400	A	5/1999 Wei
5,195,804	A	3/1993 Stolle et al.	5,909,923	A	6/1999 DeKraker
5,197,780	A	3/1993 Coughlin	5,913,569	A	6/1999 Klingler
5,217,278	A	6/1993 Harrison	5,927,811	A	7/1999 Tseng
5,228,747	A	7/1993 Greene	5,934,758	A	8/1999 Ritch et al.
5,249,839	A	10/1993 Faiks	5,944,382	A	8/1999 Ambasz
5,277,475	A	1/1994 Brandes	5,944,386	A	8/1999 Yamagishi et al.
5,288,138	A	2/1994 Stulik	D414,349	S	9/1999 Jenkins et al.
D345,060	S	3/1994 Duncan	5,961,184	A	10/1999 Balderi et al.
D346,279	S	4/1994 Stumpf et al.	5,975,632	A	11/1999 Ginat
5,314,235	A *	5/1994 Johnson ..... 297/284.5	5,984,408	A	11/1999 Bujaryn
5,314,240	A	5/1994 Ishi	5,988,746	A	11/1999 Raftery
5,318,346	A	6/1994 Roossien	D417,792	S	12/1999 Hansen et al.
D350,033	S *	8/1994 Beaulieu ..... D6/366	6,003,948	A	12/1999 Holbrook
5,344,211	A	9/1994 Adat et al.	D418,316	S	1/2000 Vogtherr
5,368,365	A	11/1994 Feldberg	6,017,091	A	1/2000 Cao
D355,534	S	2/1995 Saotome	6,027,169	A	2/2000 Roslund, Jr.
5,393,124	A	2/1995 Neil	6,030,041	A	2/2000 Hsiao
			D423,259	S	4/2000 Grove

# US D639,091 S

6,053,578 A	4/2000	Van Hekken et al.	6,669,294 B2	12/2003	Kinoshita et al.
6,053,579 A	4/2000	Nelson et al.	6,669,301 B1	12/2003	Funk et al.
D424,824 S	5/2000	Chu	6,688,687 B2	2/2004	Chu
6,056,361 A	5/2000	Cvek	6,688,690 B2	2/2004	Watson et al.
6,059,362 A	5/2000	Lin	6,698,833 B2	3/2004	Ball et al.
6,062,649 A	5/2000	Nagel et al.	6,709,058 B1	3/2004	Diffrient
6,079,785 A	6/2000	Peterson et al.	6,726,285 B2	4/2004	Caruso et al.
6,095,603 A	8/2000	Hock	6,739,664 B2	5/2004	Kinoshita et al.
6,099,075 A	8/2000	Watkins	D490,994 S	6/2004	Schmitz et al.
6,099,076 A	8/2000	Nagel et al.	6,755,467 B1	6/2004	Chu
6,109,694 A	8/2000	Kurtz	6,758,523 B2	7/2004	Van De Riet et al.
6,109,696 A	8/2000	Newhouse et al.	D494,792 S	8/2004	Schmitz et al.
D431,400 S	10/2000	Grove	6,805,405 B2	10/2004	Koo
6,125,521 A	10/2000	Stumpf et al.	6,820,935 B1	11/2004	Cioncada
6,129,419 A	10/2000	Neale	6,837,546 B2	1/2005	Van De Riet et al.
6,131,992 A	10/2000	Chang	6,880,215 B2	4/2005	Peterson
6,139,102 A	10/2000	Von Moller	6,899,398 B2	5/2005	Coffield
D434,918 S	12/2000	Arko et al.	6,908,159 B2	6/2005	Prince et al.
D436,259 S	1/2001	Nagamitsu	6,913,315 B2	7/2005	Ball et al.
6,179,384 B1	1/2001	DeKraker et al.	6,955,402 B2	10/2005	Van De Riet et al.
D437,701 S	2/2001	Bellini et al.	6,966,606 B2	11/2005	Coffield
6,189,971 B1	2/2001	Witzig	7,000,987 B2	2/2006	Staarink
6,189,972 B1	2/2001	Chu	7,004,543 B2	2/2006	Caruso et al.
6,193,307 B1	2/2001	Lin	7,014,269 B2	3/2006	Coffield et al.
D439,451 S	3/2001	Simons, Jr. et al.	7,017,986 B2	3/2006	Degen et al.
D440,419 S	4/2001	Röder	7,021,705 B1	4/2006	Niermeyer et al.
D442,790 S	5/2001	Simons, Jr. et al.	7,036,888 B2	5/2006	Yang et al.
D442,791 S	5/2001	Simons, Jr. et al.	7,040,703 B2	5/2006	Sanchez
6,224,160 B1	5/2001	Takeuchi et al.	7,052,081 B2	5/2006	Leng
6,250,715 B1	6/2001	Caruso et al.	7,059,682 B2	6/2006	Caruso et al.
D444,309 S	7/2001	Nagamitsu	7,096,549 B2	8/2006	Coffield
D444,955 S	7/2001	Su	7,185,910 B2	5/2007	Beauchesne et al.
6,254,186 B1	7/2001	Falzon	7,226,123 B1	6/2007	Lin et al.
6,260,921 B1	7/2001	Chu et al.	7,234,772 B2	6/2007	Wells
6,279,991 B1	8/2001	Atkins et al.	7,234,773 B2	6/2007	Raftery et al.
D449,172 S	10/2001	Van De Riet et al.	7,234,775 B2	6/2007	Serber
D449,174 S	10/2001	Neil	7,249,802 B2	7/2007	Schmitz et al.
6,305,742 B1	10/2001	Spendlove et al.	D548,993 S *	8/2007	Fancelli ..... D6/366
D449,938 S	11/2001	Van De Riet et al.	7,267,405 B2	9/2007	Tin
6,322,145 B1	11/2001	Melgarejo et al.	7,293,826 B2	11/2007	Lu et al.
D451,293 S	12/2001	Su	7,347,495 B2	3/2008	Beyer et al.
D453,633 S	2/2002	Diffrient	7,419,222 B2	9/2008	Schmitz et al.
D455,571 S	4/2002	Van De Riet et al.	7,445,277 B2	11/2008	Voris
D456,160 S	4/2002	Van De Riet et al.	7,455,365 B2	11/2008	Caruso et al.
D456,164 S	4/2002	Van De Riet et al.	7,472,962 B2	1/2009	Caruso et al.
6,367,876 B2	4/2002	Caruso et al.	D586,137 S *	2/2009	Massaud ..... D6/366
6,378,942 B1	4/2002	Chu	D587,950 S *	3/2009	Long ..... D6/601
D456,626 S	5/2002	Su	7,585,028 B2	9/2009	Jenkins
D456,650 S	5/2002	Ball et al.	7,625,046 B2	12/2009	Sanchez
D457,023 S	5/2002	Ball et al.	2001/0030457 A1	10/2001	Gregory
6,382,719 B1	5/2002	Heidmann et al.	2002/0043841 A1	4/2002	Giacinto
6,386,627 B1	5/2002	Tsai	2002/0060492 A1	5/2002	Nagamitsu et al.
6,386,636 B2	5/2002	Caruso et al.	2002/0096920 A1	7/2002	Watson et al.
6,394,545 B2	5/2002	Knoblock et al.	2002/0190564 A1	12/2002	Coffield et al.
D460,300 S	7/2002	Fifield et al.	2003/0001425 A1	1/2003	Koepke et al.
D460,869 S	7/2002	Koepke et al.	2003/0178882 A1	9/2003	Schimitz
D460,870 S	7/2002	Van De Riet et al.	2004/0124679 A1	7/2004	Teppo et al.
6,419,318 B1	7/2002	Albright	2004/0140701 A1	7/2004	Schmitz
D461,323 S	8/2002	Su	2005/0001461 A1	1/2005	Caruso
D461,661 S	8/2002	Koepke et al.	2005/0093345 A1	5/2005	Matern et al.
6,439,661 B1	8/2002	Bräuning	2007/0057549 A1	3/2007	Ball et al.
D462,187 S	9/2002	Koepke et al.			
D463,693 S	10/2002	Hsieh			
6,471,294 B1	10/2002	Dammermann et al.			
6,478,379 B1	11/2002	Ambasz			
6,488,335 B1	12/2002	Cioncada			
6,523,898 B1	2/2003	Ball et al.			
D471,042 S	3/2003	Schmitz et al.			
D471,370 S	3/2003	Schmitz et al.			
6,540,950 B1	4/2003	Coffield			
D474,346 S	5/2003	Saylor et al.			
6,557,938 B1	5/2003	Long			
6,568,760 B2	5/2003	Davis et al.			
D475,859 S *	6/2003	Kryger ..... D6/366			
6,572,190 B2	6/2003	Koepke et al.			
6,598,251 B2	7/2003	Habboub et al.			
6,616,228 B2	9/2003	Heidmann			
6,626,494 B2	9/2003	Yoo			
6,644,749 B2	11/2003	Van De Riet et al.			

## FOREIGN PATENT DOCUMENTS

CN	2566705 Y	8/2002
DE	3125312	1/1983
DE	201 00 569 U1	3/2001
EP	0 154 582 A3	9/1985
EP	0 242 140 A2	10/1987
EP	0 815 778 A1	1/1998
FR	2 267 726 A1	11/1975
FR	2 278 295 A1	2/1976
GB	925 337	5/1963
GB	967 059	8/1964
GB	1 276 273	6/1972
GB	2 165 445 A	4/1986
JP	57-050251 A	9/1955
JP	62-055691 A	3/1987
JP	63-187947 A	12/1988
JP	02-050250 U	2/1990

# US D639,091 S

Page 4

---

JP	02-095305	A	4/1990
JP	02-159215	A	6/1990
JP	08-004544	A	1/1996
JP	10-179314	A	7/1998
WO	WO 89/09557	A1	10/1989
WO	WO 92/20262	A1	11/1992
WO	WO 93/25121	A1	12/1993
WO	WO 95/34233	A1	12/1995
WO	WO 98/48668	A1	11/1998
WO	WO 00/22961	A1	4/2000
WO	WO 00/74531	A2	12/2000
WO	WO 01/43685	A1	6/2001
WO	WO 2007/099376	A2	9/2007
WO	WO 2008/103674	A1	8/2008

## OTHER PUBLICATIONS

Resultat(s) brochure, "Notice complete," INPI, dated 2009, 22 pages.  
Resultat(s) brochure. "Notice com~lete." INPI. dated 2009. 4 pages.  
Arbitare brochure, dated Apr. 1997, 4 pages.  
Arbitare brochure. "Mobile & Misure 88." dated Sep. 1988, 3 pages.  
Arbitare brochure, "Mini Spazi," dated Oct. 1988, 3 pages.  
md brochure, "moebel interior design," dated Jan. 1, 1996, 3 pages.  
md brochure, dated May 5, 1998, 3 pages.  
Shitsunai brochure, "No. 500," dated 1996, 2 pages.

\* cited by examiner

FIG. 1

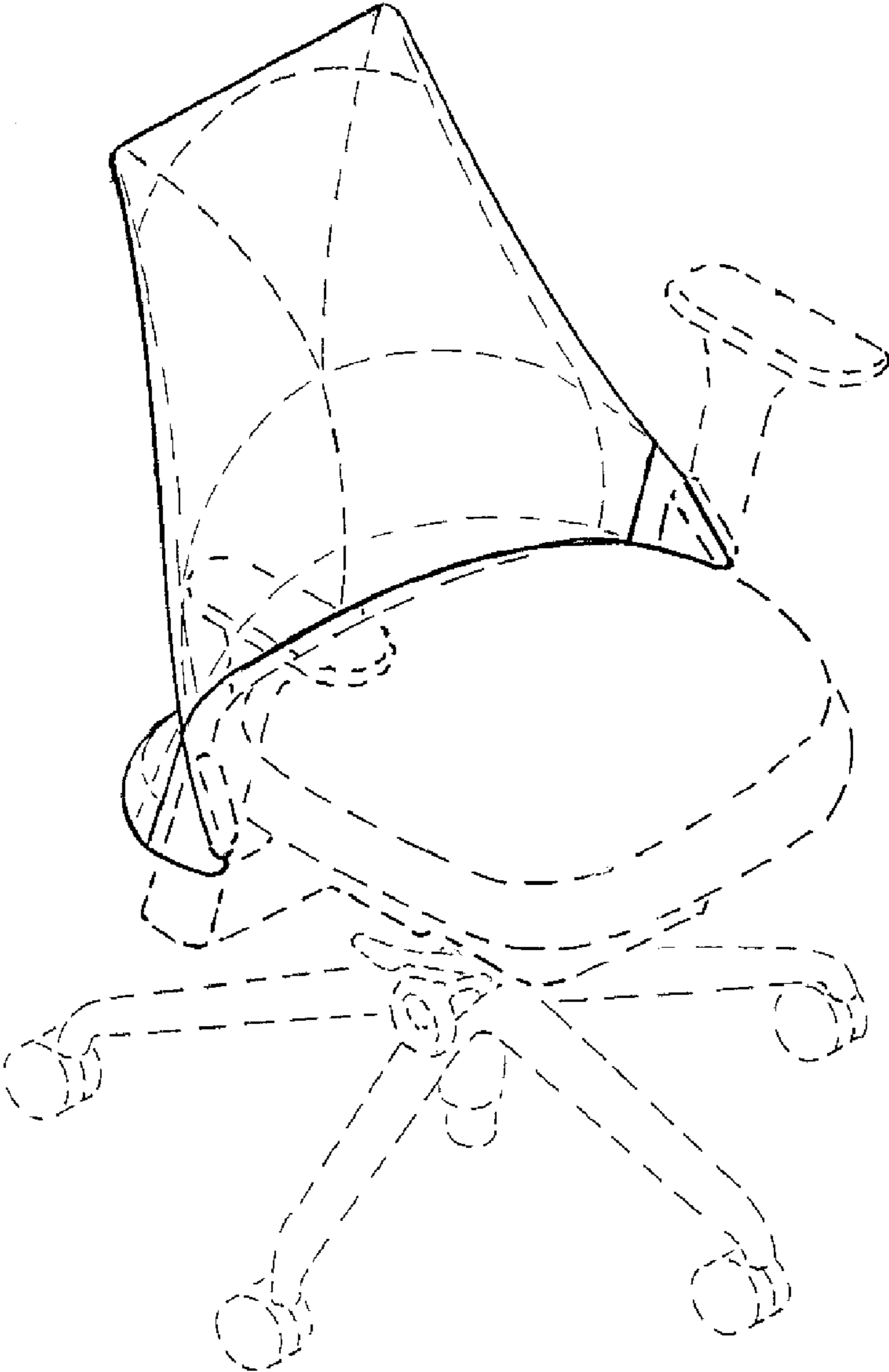


FIG. 3

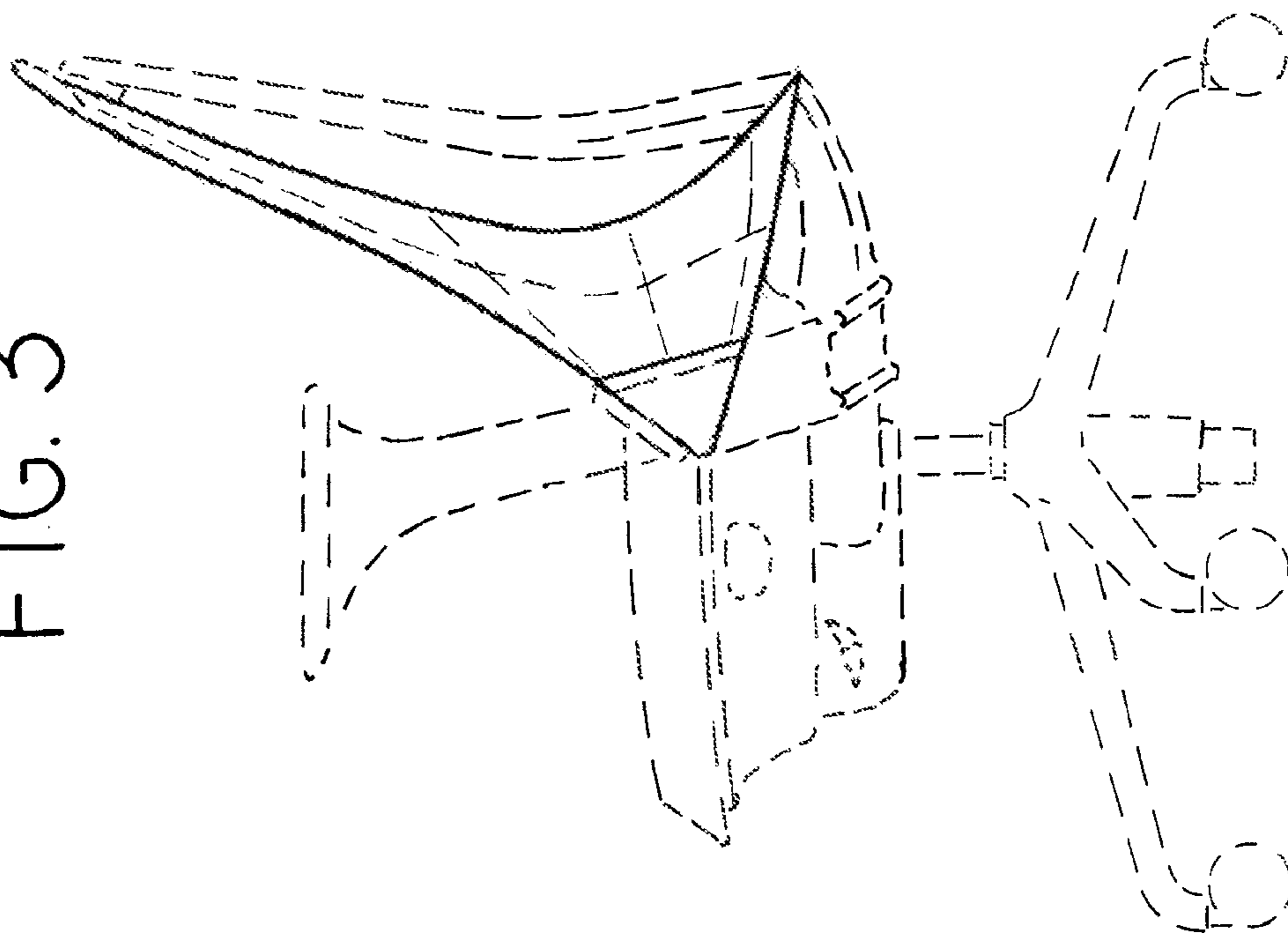


FIG. 2

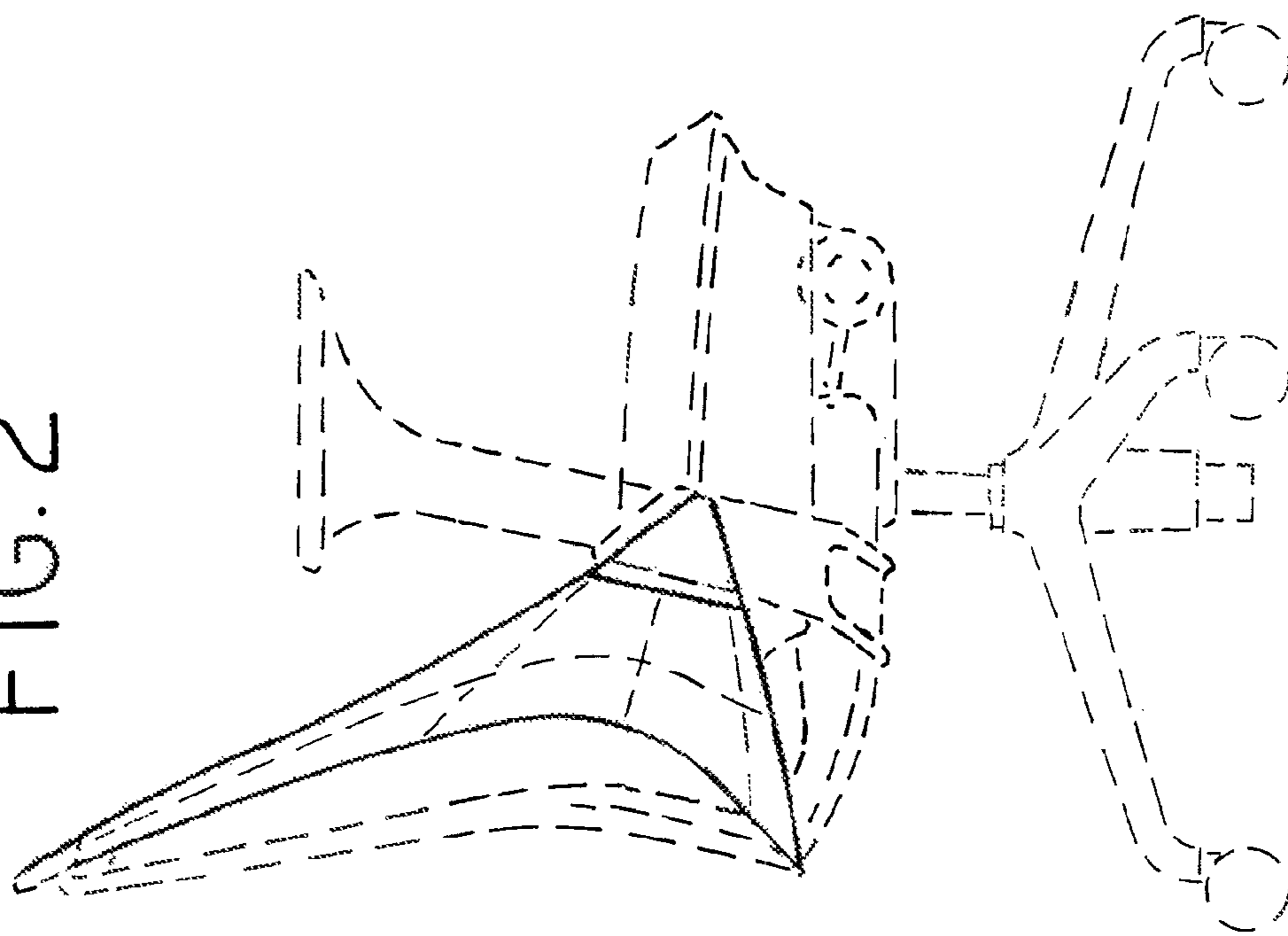


FIG. 5

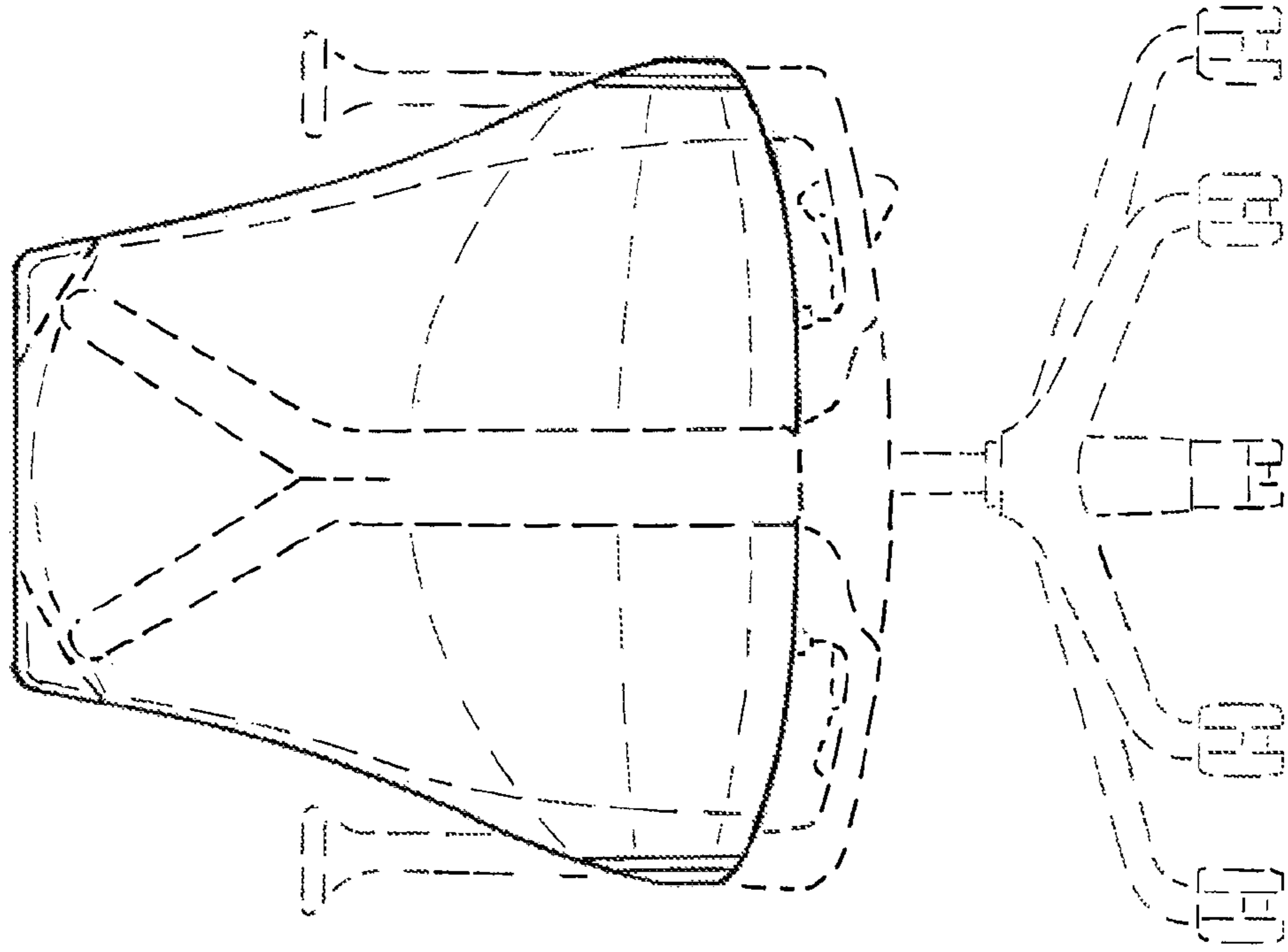


FIG. 4

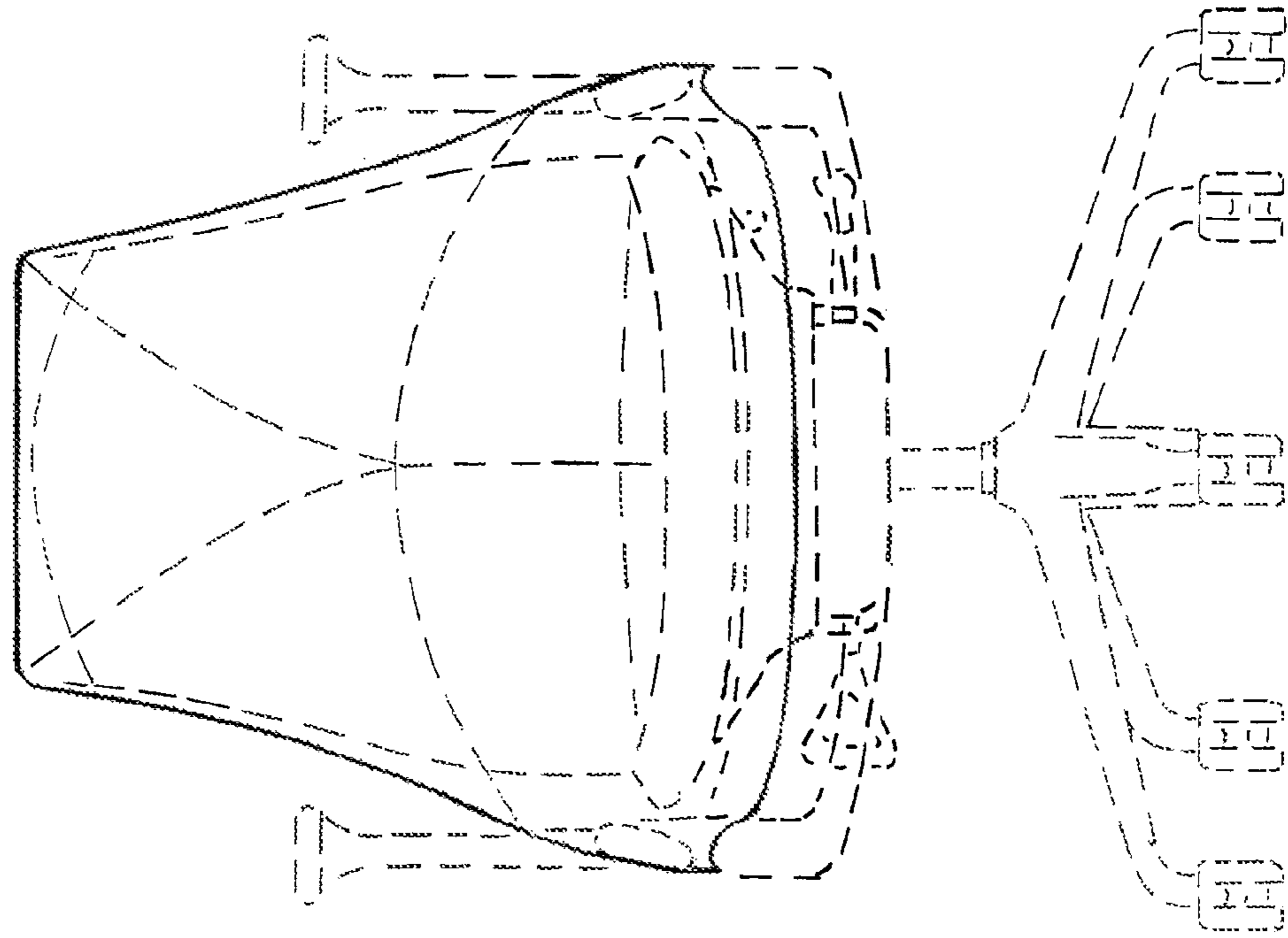


FIG. 6

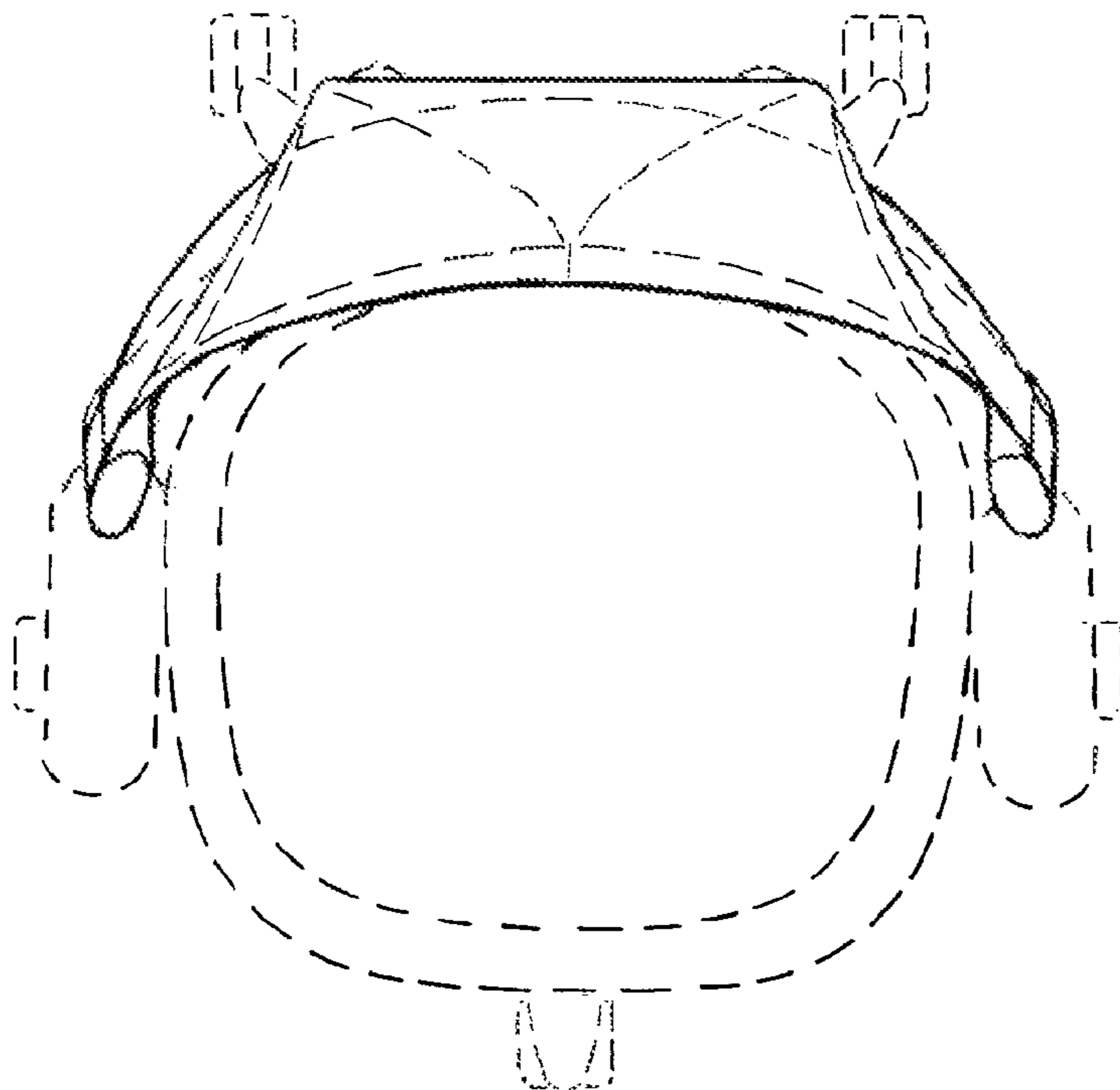


FIG. 7

