



US00D639089S

(12) **United States Design Patent**
Sexton

(10) **Patent No.:** **US D639,089 S**
(45) **Date of Patent:** **** Jun. 7, 2011**

(54) **TV MOUNT SYSTEM**

(75) Inventor: **James S. Sexton**, San Ramon, CA (US)

(73) Assignee: **Z-Line Designs, Inc.**, San Ramon, CA (US)

(**) Term: **14 Years**

(21) Appl. No.: **29/381,149**

(22) Filed: **Dec. 15, 2010**

D572,944 S *	7/2008	Sexton	D6/477
D590,637 S *	4/2009	Portnoy	D6/477
D591,089 S *	4/2009	Sexton	D6/479
D595,978 S *	7/2009	Portnoy et al.	D6/477
D601,370 S *	10/2009	Kohler	D6/495
D607,671 S *	1/2010	Sexton	D6/479
D609,942 S *	2/2010	Sexton	D6/477
D610,836 S *	3/2010	Kohler	D6/477
D611,728 S *	3/2010	Nielsen	D6/449
D612,172 S *	3/2010	Portnoy	D6/477
D615,771 S *	5/2010	Kohler	D6/460
D619,827 S *	7/2010	Sculler et al.	D6/477
D630,870 S *	1/2011	Sexton	D6/477
D631,265 S *	1/2011	Sexton	D6/477

* cited by examiner

Related U.S. Application Data

(62) Division of application No. 29/366,613, filed on Jul. 27, 2010, now Pat. No. Des. 630,870.

(51) **LOC (9) Cl.** **06-06**

(52) **U.S. Cl.** **D6/477**

(58) **Field of Classification Search** D6/470-471, D6/474, 477-479, 460-461, 468; 108/59, 108/91-92, 96; 211/40, 41.12, 42, 49.1, 211/50, 85.2, 90.04, 187, 190; 206/307

See application file for complete search history.

Primary Examiner — Elizabeth A Albert

Assistant Examiner — Kelley A Donnelly

(74) *Attorney, Agent, or Firm* — Kilpatrick Townsend & Stockton LLP

(57) **CLAIM**

The ornamental design for a TV mount system, as shown and described.

DESCRIPTION

FIG. 1 is a perspective view of a TV mount system showing my new design;

FIG. 2 is a front elevational view thereof;

FIG. 3 is a rear elevational view thereof;

FIG. 4 is a left side elevational view thereof;

FIG. 5 is a right side elevational view thereof;

FIG. 6 is a top plan view thereof; and,

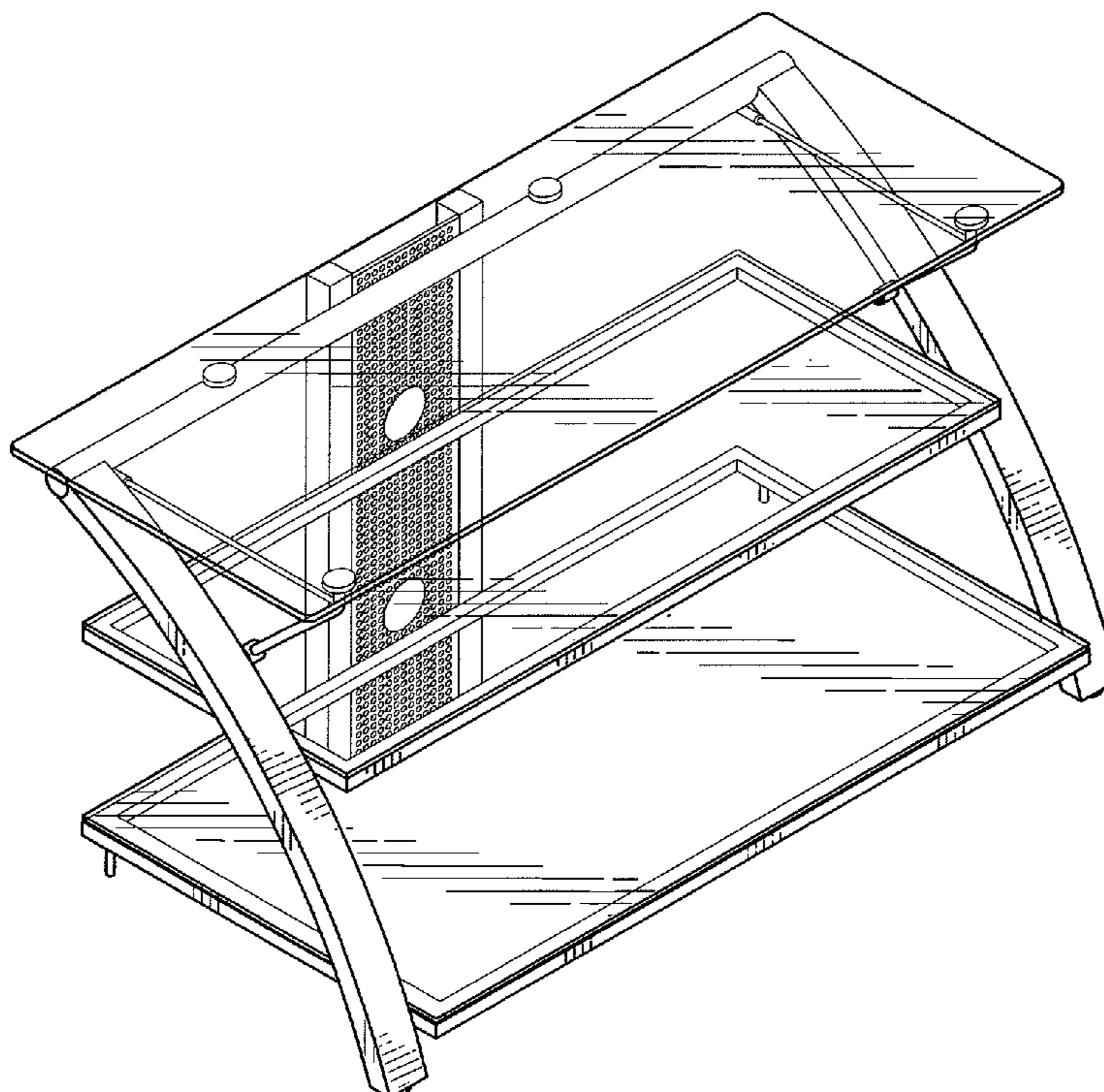
FIG. 7 is a bottom plan view thereof.

1 Claim, 4 Drawing Sheets

(56) **References Cited**

U.S. PATENT DOCUMENTS

D472,075 S *	3/2003	de Carolis	D6/479
D480,237 S *	10/2003	de Carolis	D6/474
D489,548 S *	5/2004	Malizia	D6/477
D491,753 S *	6/2004	deCarolis	D6/479
D498,946 S *	11/2004	Sexton	D6/479
D507,128 S *	7/2005	Choo	D6/477
D517,350 S *	3/2006	Sexton	D6/479
D525,052 S *	7/2006	Malizia	D6/474



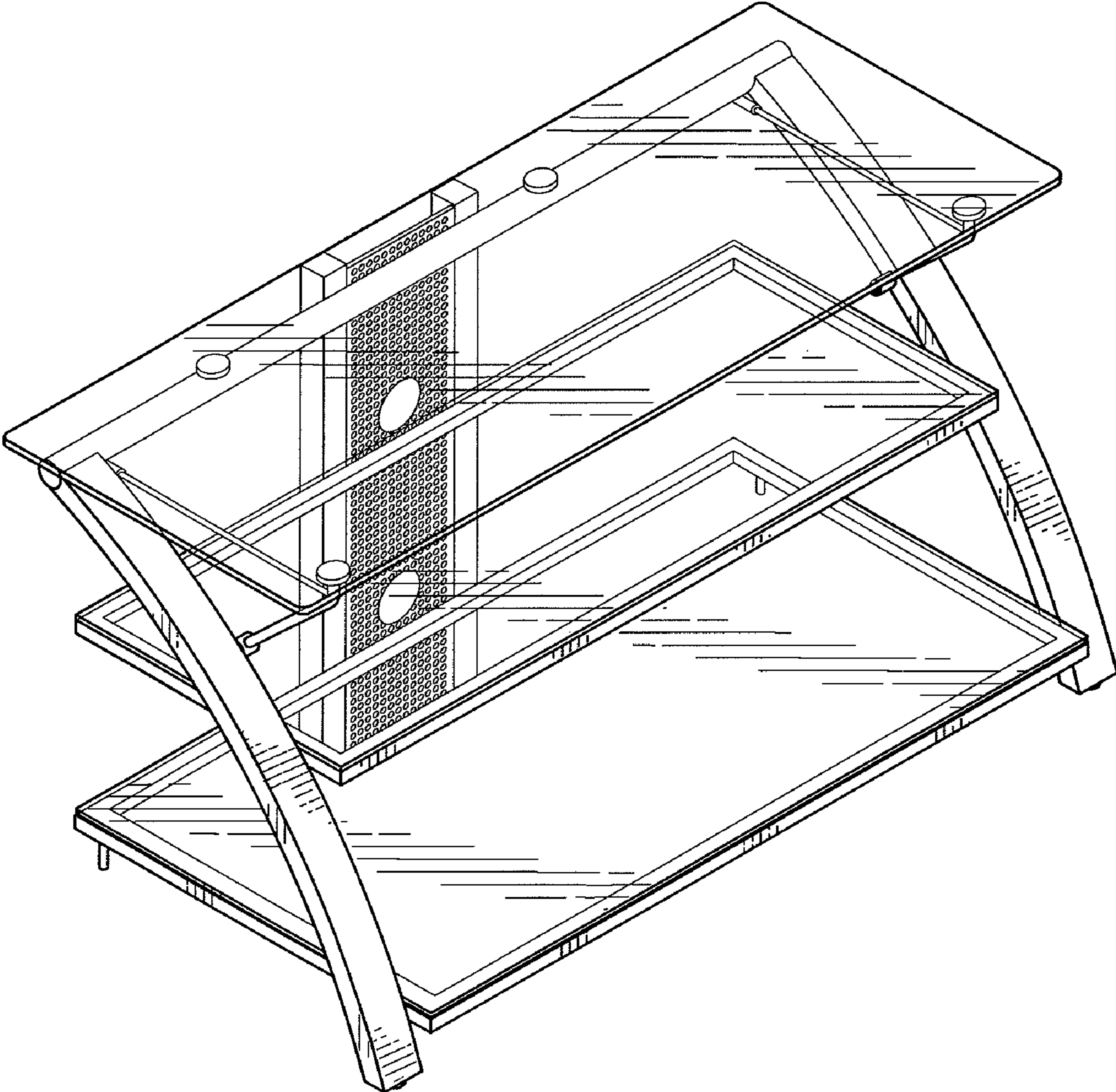


FIG. 1

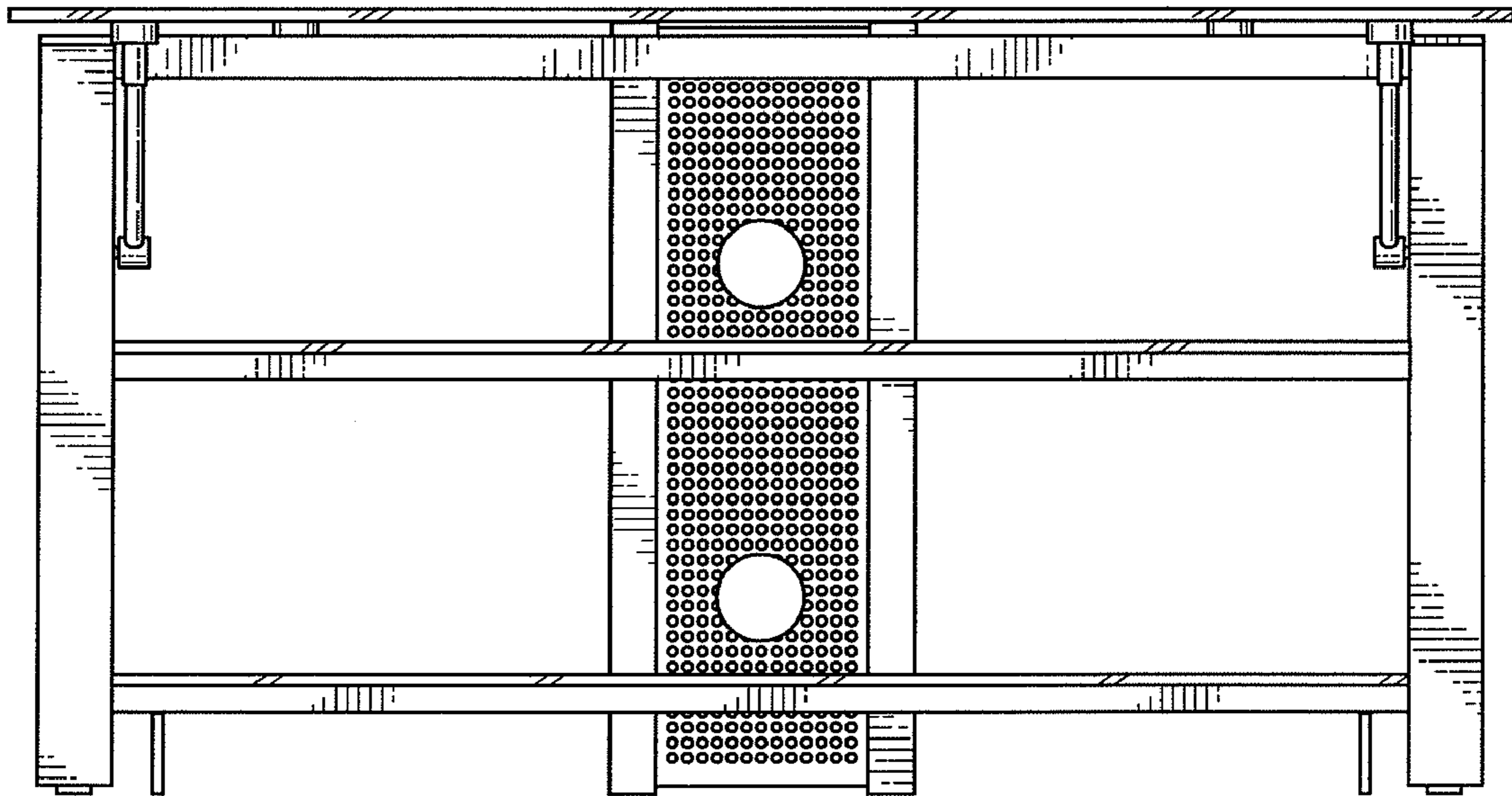


FIG. 2

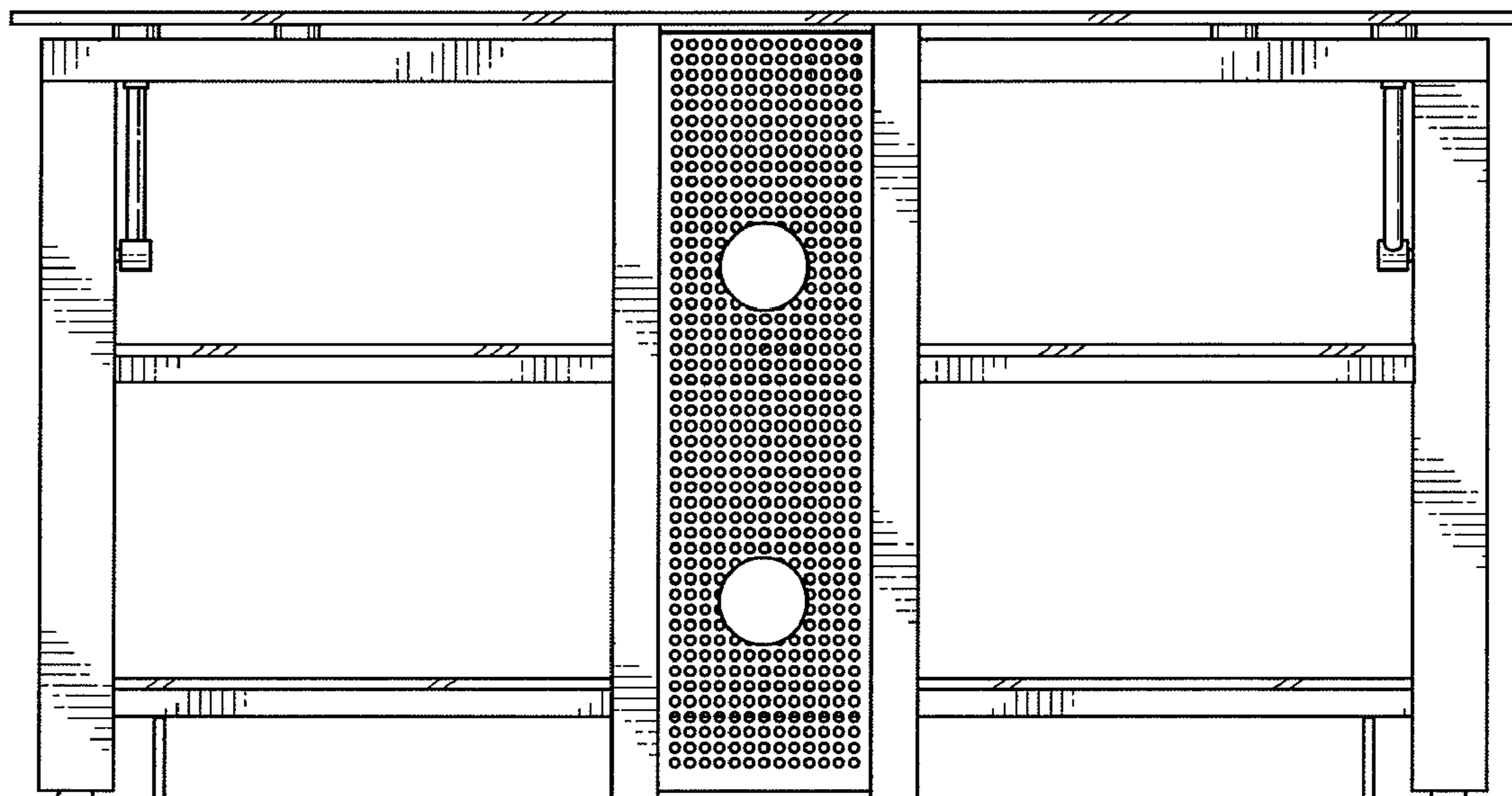


FIG. 3

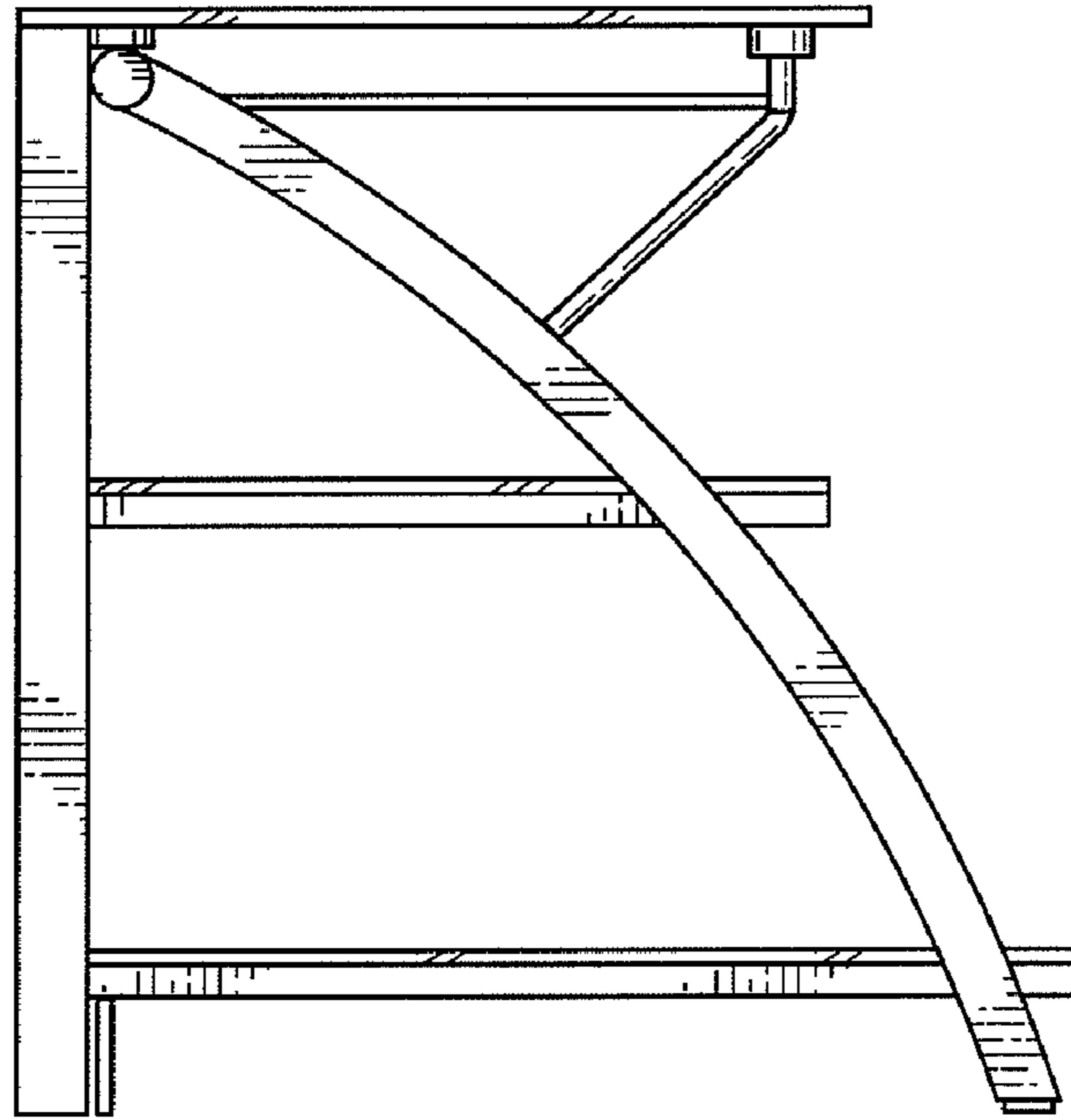


FIG. 4

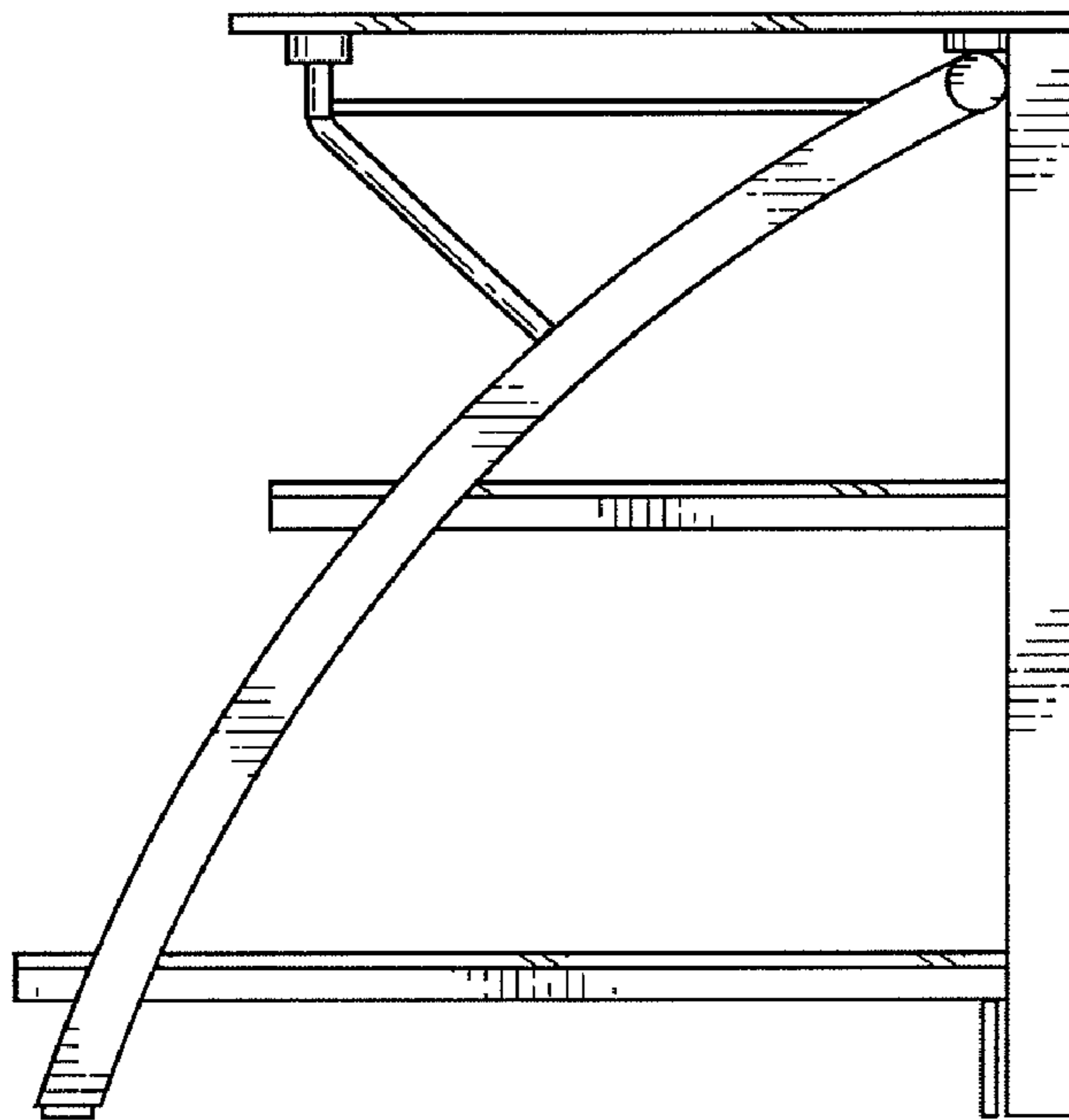


FIG. 5

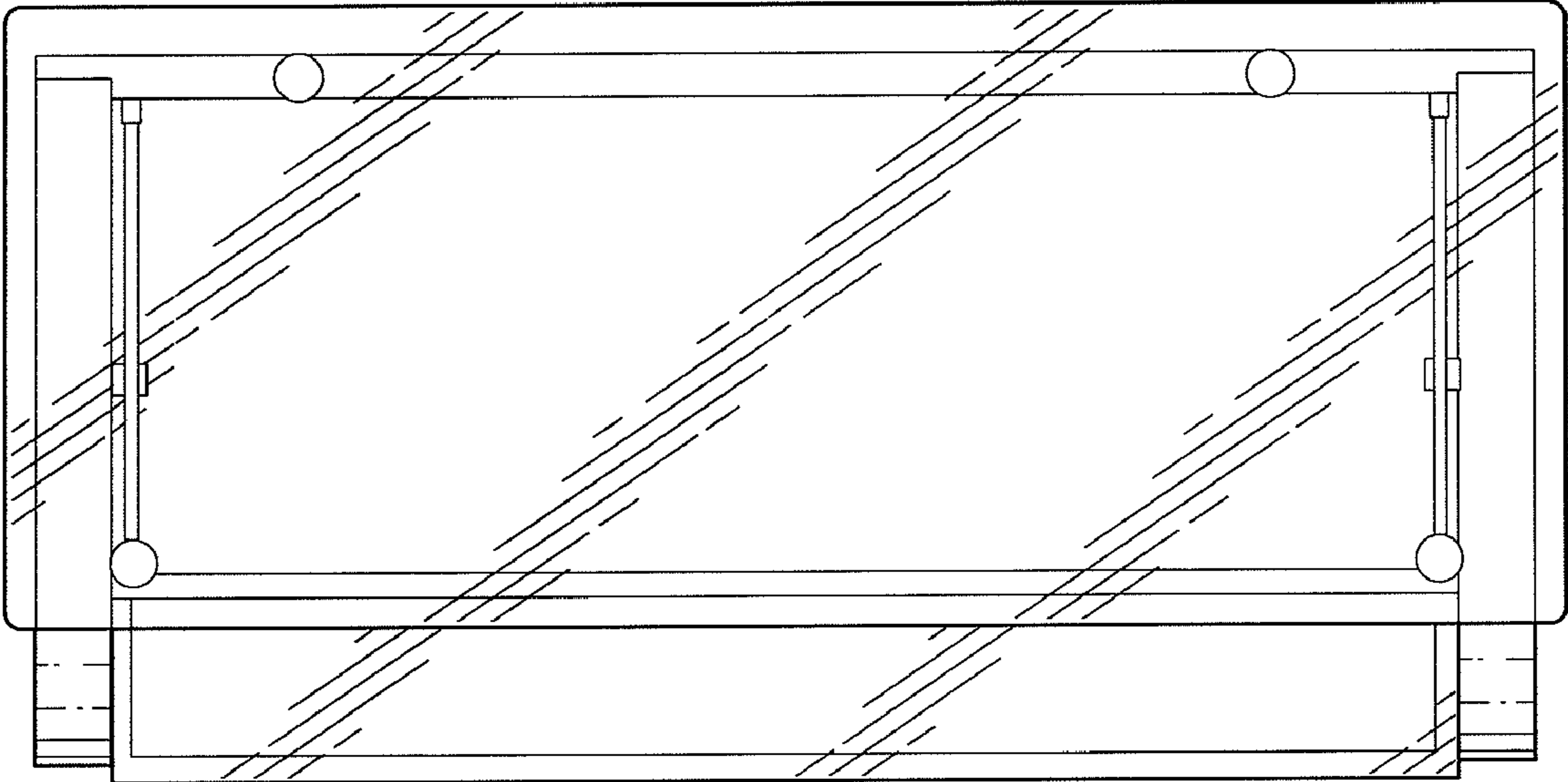


FIG. 6

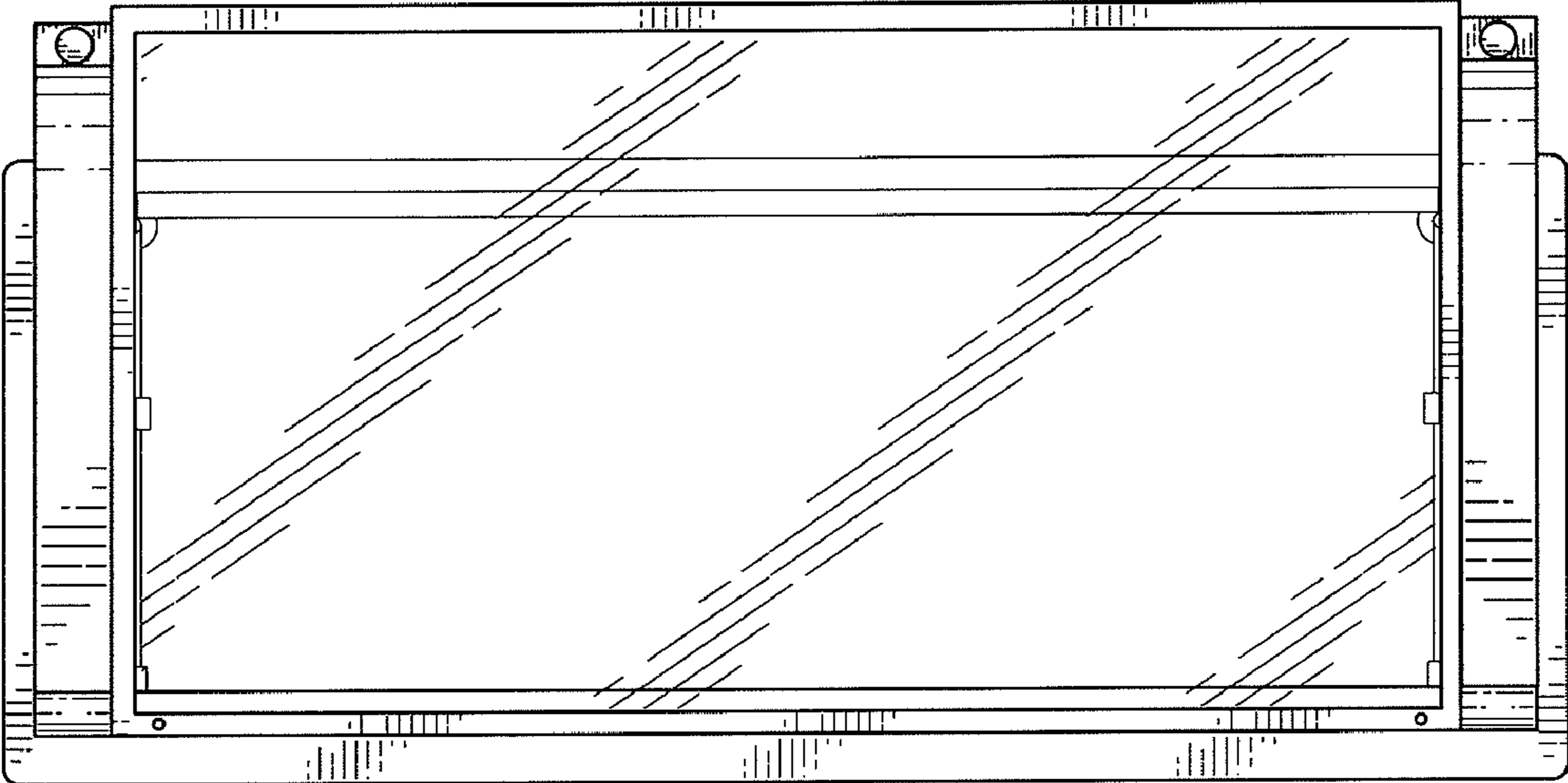


FIG. 7