



US00D639088S

(12) **United States Design Patent**
Rodgers et al.

(10) **Patent No.:** **US D639,088 S**

(45) **Date of Patent:** **** Jun. 7, 2011**

(54) **DUAL SIDED FLOOR SIGN HOLDER**

(75) Inventors: **Danielle Rodgers**, Indianapolis, IN
(US); **Patrick Foley**, Indianapolis, IN
(US); **Robin Wang**, Foshan (CN)

(73) Assignee: **Deflecto, LLC**, Indianapolis, IN (US)

(**) Term: **14 Years**

(21) Appl. No.: **29/367,657**

(22) Filed: **Aug. 11, 2010**

(51) **LOC (9) Cl.** **06-04**

(52) **U.S. Cl.** **D6/449**

(58) **Field of Classification Search** D6/419,
D6/312, 449, 429-431, 420; D20/19, 41;
D17/99; 248/441.1, 448, 449, 454, 460;
40/607.1, 607.04, 607.11, 607.13, 665, 611.06,
40/494, 651, 606.15, 606.01, 606.14
See application file for complete search history.

(56) **References Cited**

U.S. PATENT DOCUMENTS

641,522	A *	1/1900	Leger	40/651
1,852,315	A *	4/1932	Lamb	40/611.05
2,168,912	A *	8/1939	Meyer	248/454
4,777,750	A *	10/1988	Garfinkle	40/607.04
D342,549	S *	12/1993	Hofman	D20/41
D346,286	S *	4/1994	Caponigro et al.	D6/419
D347,025	S *	5/1994	Asselin	D20/41
D535,109	S *	1/2007	Palmer	D6/312
D556,833	S *	12/2007	Maier-Hunke	D20/41
D582,986	S *	12/2008	Sanchez	D20/19

D597,764	S *	8/2009	Topcuoglu	D6/449
D598,217	S *	8/2009	Bode	D6/449
D625,528	S *	10/2010	Sprague	D6/449
2002/0174582	A1 *	11/2002	Garfinkle et al.	40/606
2008/0028652	A1 *	2/2008	Makhija et al.	40/606.15

* cited by examiner

Primary Examiner — Philip S Hyder

Assistant Examiner — Sydney R Buffalow

(74) *Attorney, Agent, or Firm* — SNR Denton US LLP;
Brian R. McGinley; Anne K. W. Sutton

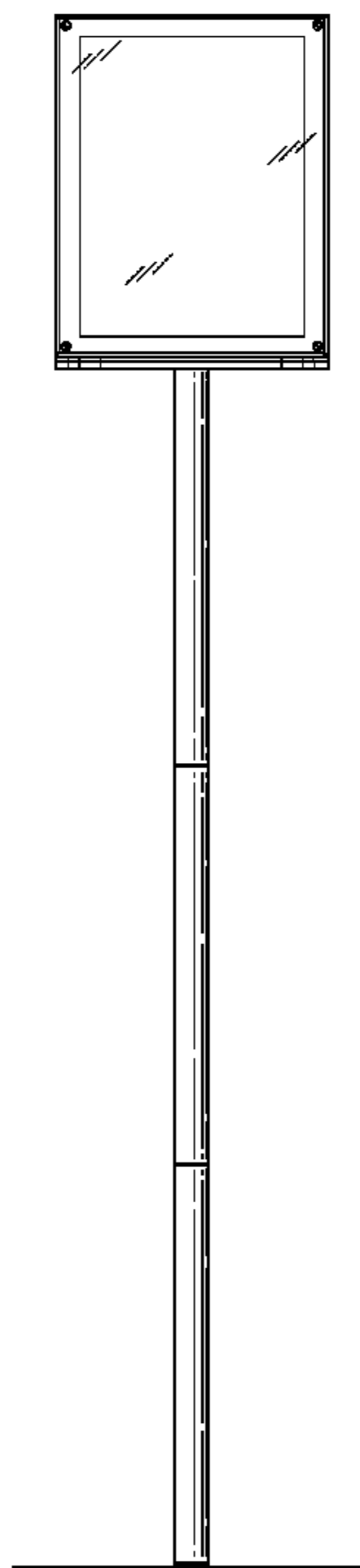
(57) **CLAIM**

The ornamental design for a dual sided floor sign holder, as shown and described.

DESCRIPTION

FIG. 1 is a front elevational view of the dual sided floor sign holder illustrating the new design;
FIG. 2 is a right side view of the dual sided floor sign holder illustrated in FIG. 1 (the left side view is a mirror image of FIG. 3);
FIG. 3 is a top view of the dual sided floor sign holder illustrated in FIG. 1;
FIG. 4 is a bottom view of the dual sided floor sign holder illustrated in FIG. 1;
FIG. 5 is a lower perspective view of the dual sided floor sign holder shown in FIG. 1; and,
FIG. 6 is an upper perspective view of the dual sided floor sign holder illustrated in FIG. 1.

1 Claim, 3 Drawing Sheets



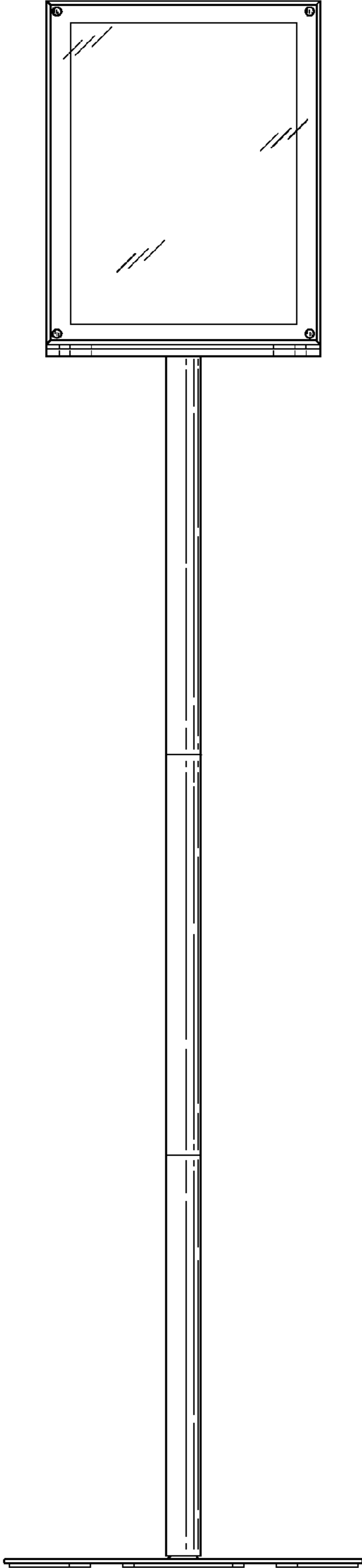


Fig. 1

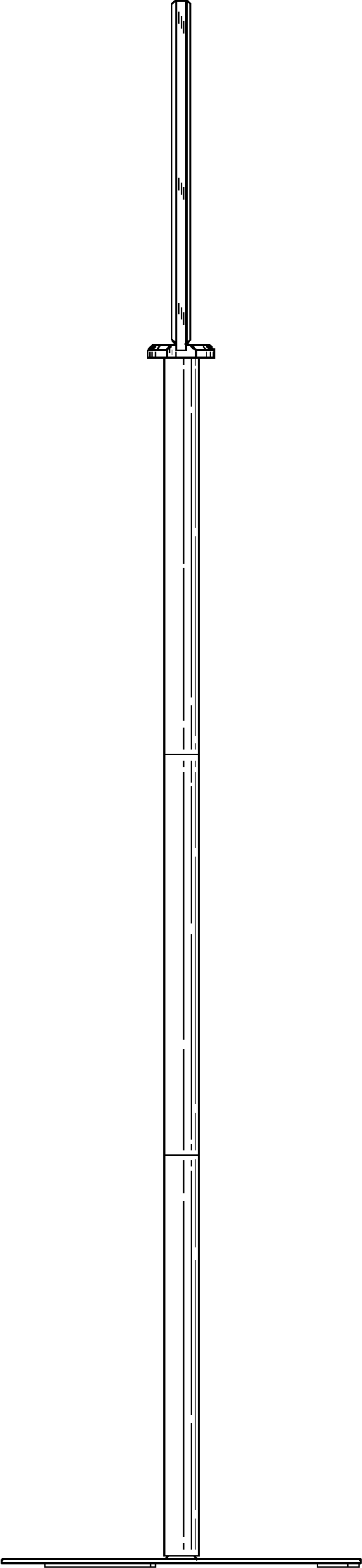


Fig. 2

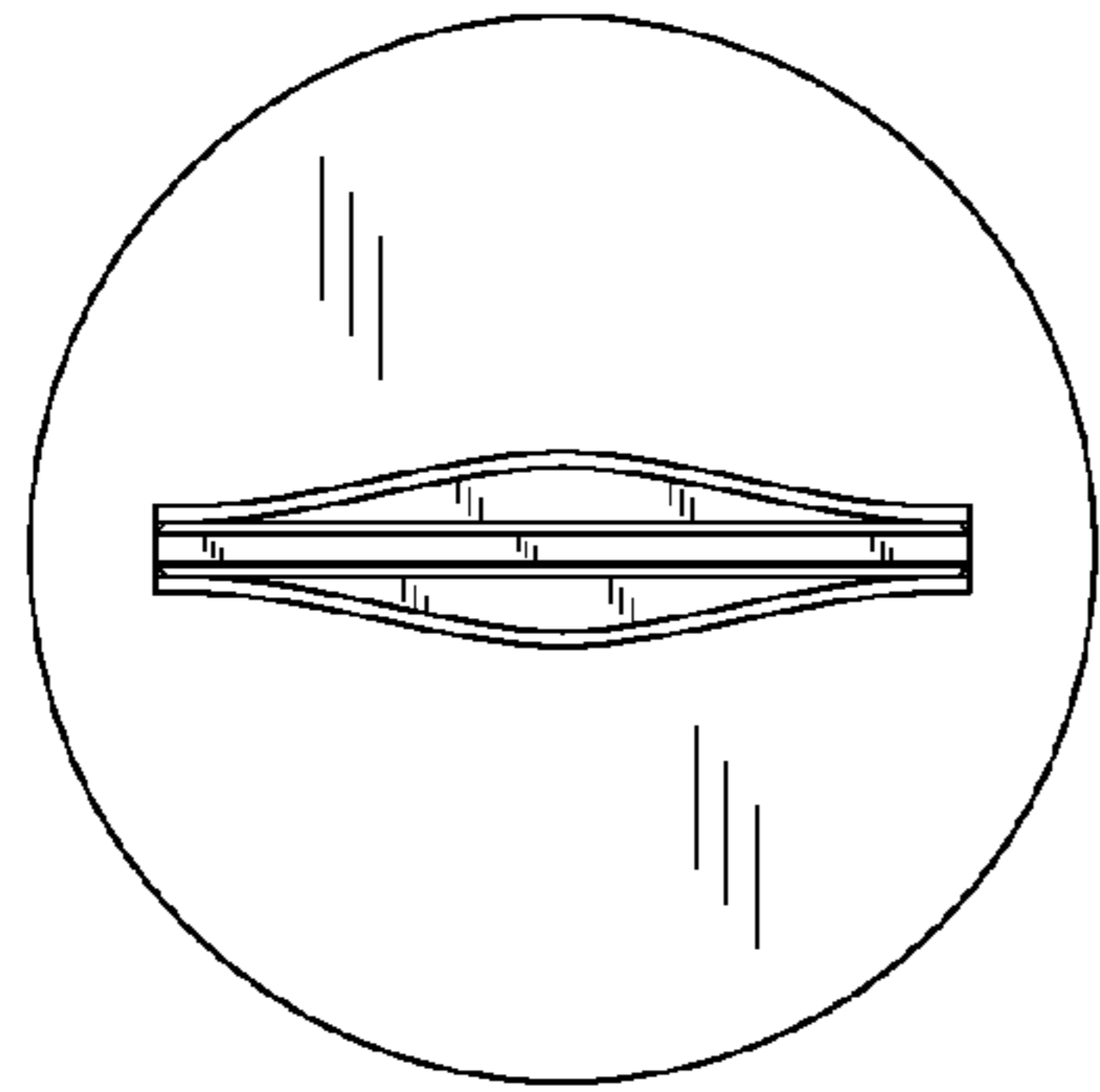


Fig. 3

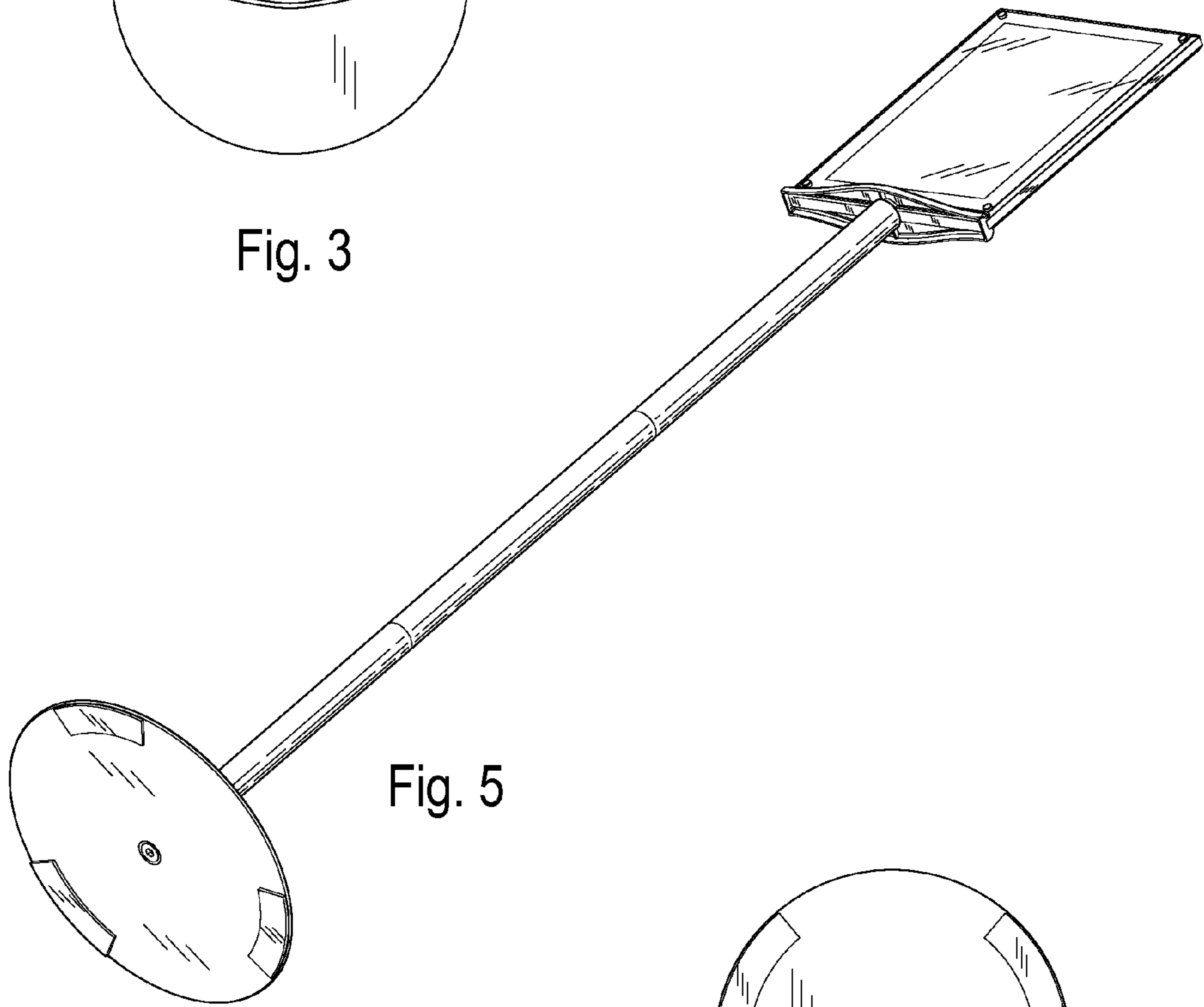


Fig. 5

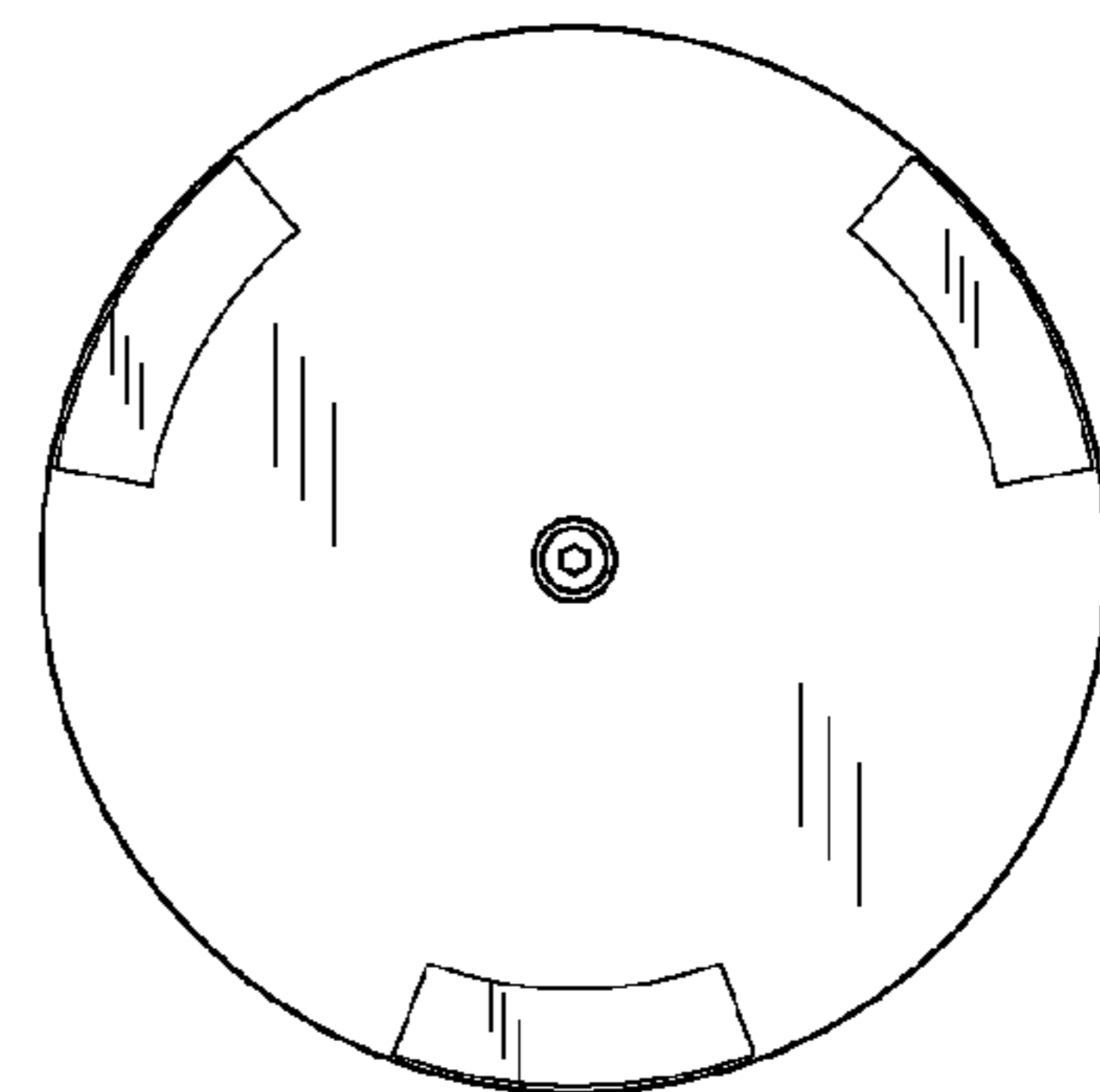


Fig. 4

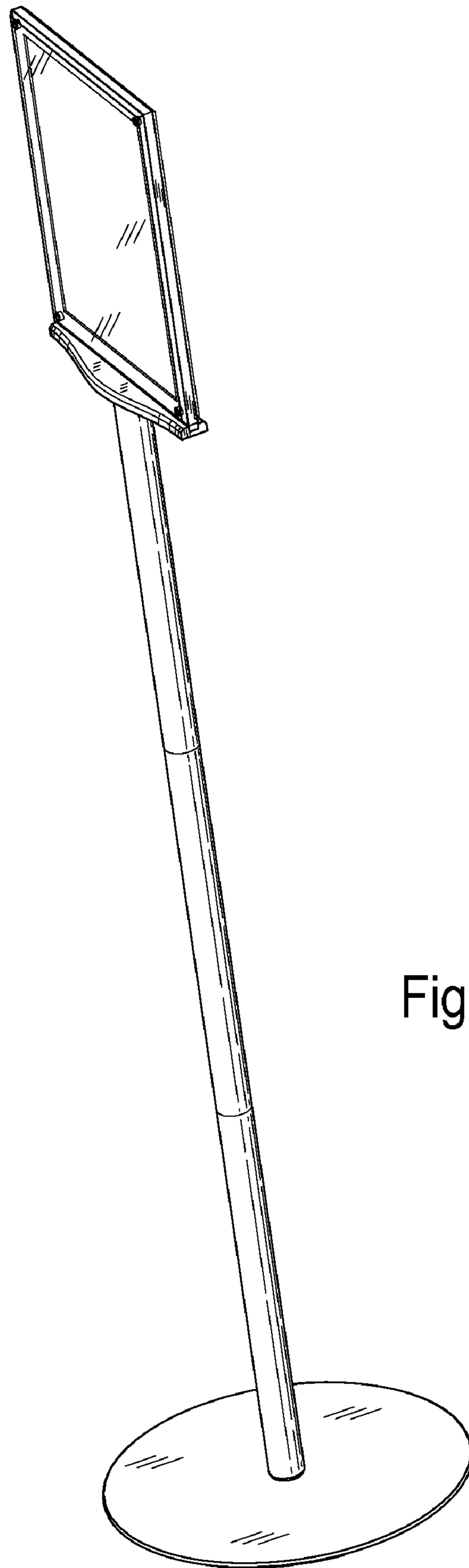


Fig. 6