



US00D639087S

(12) **United States Design Patent**
Wisniewski

(10) **Patent No.:** **US D639,087 S**
(45) **Date of Patent:** **** Jun. 7, 2011**

(54) **COAT RACK**
(75) Inventor: **Alan Wisniewski**, Toronto (CA)
(73) Assignee: **Umbra LLC**, Buffalo, NY (US)
(**) Term: **14 Years**
(21) Appl. No.: **29/369,208**
(22) Filed: **Sep. 3, 2010**
(51) **LOC (9) Cl.** **06-04**
(52) **U.S. Cl.** **D6/411**
(58) **Field of Classification Search** D6/455,
D6/411, 458, 457, 412, 396, 397, 462, 463,
D6/496; 211/205, 34, 13.1, 85.3; D7/707;
D24/128; 248/176.1; D3/25; D8/402
See application file for complete search history.

D282,793 S 3/1986 Zombeck
5,022,617 A 6/1991 Henderson
D326,964 S 6/1992 Kakuk et al.
5,127,528 A 7/1992 Cone
D332,311 S 1/1993 Redding
D353,536 S 12/1994 Tucker
D383,334 S 9/1997 Barden
D428,278 S 7/2000 Yang
D429,920 S 8/2000 Malapane
D430,430 S 9/2000 Malapane
D447,393 S 9/2001 Bodum
D465,946 S 11/2002 Boyd, Jr.
6,702,129 B1 3/2004 Harris
6,749,073 B2 6/2004 McNab
6,948,629 B1 9/2005 McClay
6,991,204 B2 1/2006 Ay
7,118,082 B2 10/2006 Brnjac
7,165,689 B2 1/2007 McDaniel
D545,080 S 6/2007 Massaud
D566,990 S 4/2008 Cook
D610,370 S 2/2010 Quan
2010/0001149 A1 1/2010 Song et al.

(56) **References Cited**

U.S. PATENT DOCUMENTS

334,656 A 1/1886 Goodyer et al.
724,582 A 4/1903 Jones
768,363 A 8/1904 Harrell
921,932 A 5/1909 Wenzelmann
1,042,262 A 10/1912 Pelletier
1,047,694 A 12/1912 Pelletier
1,236,212 A 8/1917 Saladee
1,587,676 A 6/1926 Patterson
1,832,730 A 11/1931 Pack
1,973,521 A 9/1934 Bullard
2,288,706 A 7/1942 Herr
2,469,494 A 5/1949 Bushko
D202,677 S 10/1965 Hagle et al.
3,749,253 A 7/1973 Carter
D239,070 S 3/1976 Gray
3,941,250 A 3/1976 Ott
4,221,354 A 9/1980 Kempkers
D263,653 S 4/1982 Viets

Primary Examiner — Phillip S Hyder
Assistant Examiner — Sydney R Buffalow
(74) *Attorney, Agent, or Firm* — Simpson & Simpson, PLLC

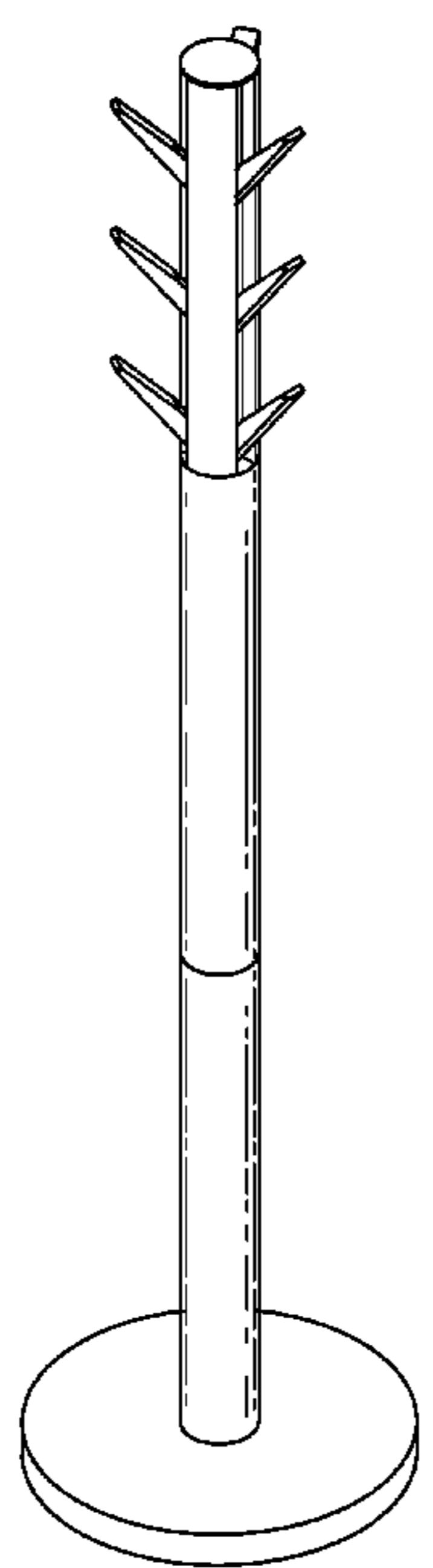
(57) **CLAIM**

The ornamental design for a coat rack, as shown and described.

DESCRIPTION

FIG. 1 is a perspective view of the present invention coat rack;
FIG. 2 is a front elevational view of the coat rack;
FIG. 3 is a rear elevational view of the coat rack;
FIG. 4 is a left side elevational view of the coat rack;
FIG. 5 is a right side elevational view of the coat rack;
FIG. 6 is a top plan view of the coat rack; and,
FIG. 7 is a bottom plan view of the coat rack.

1 Claim, 6 Drawing Sheets



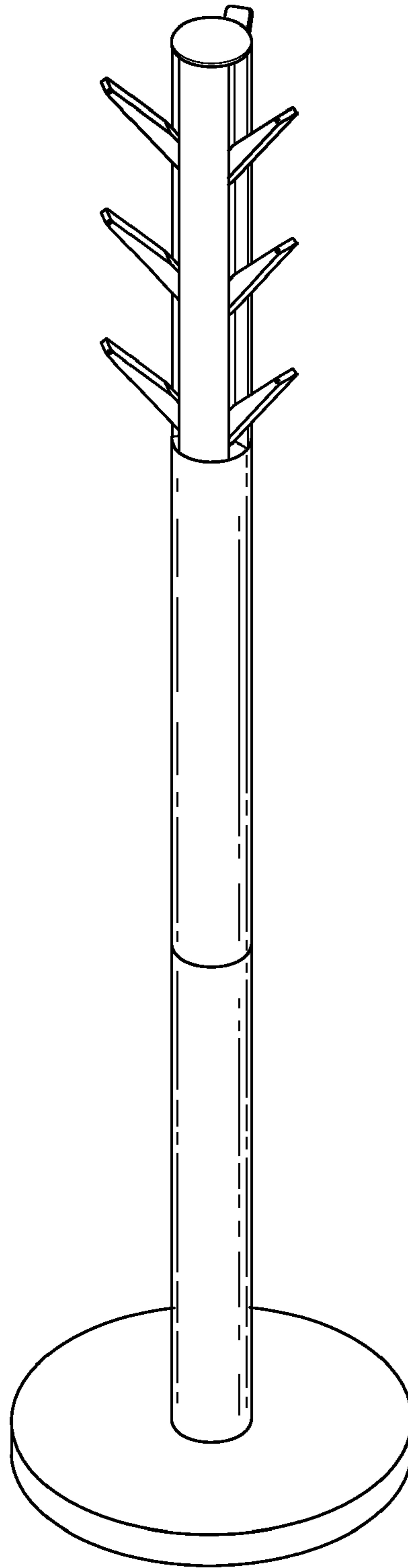


Fig. 1

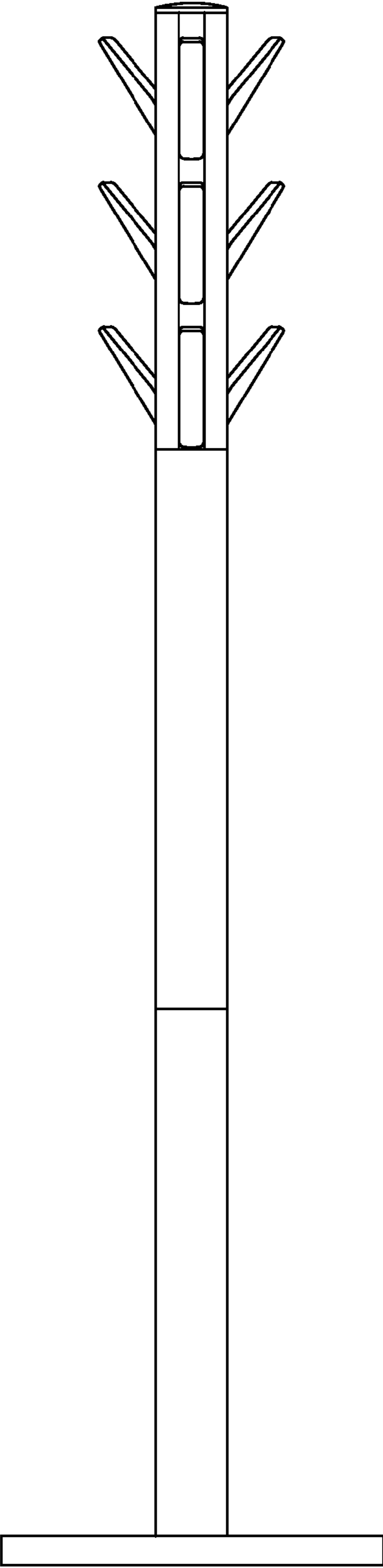
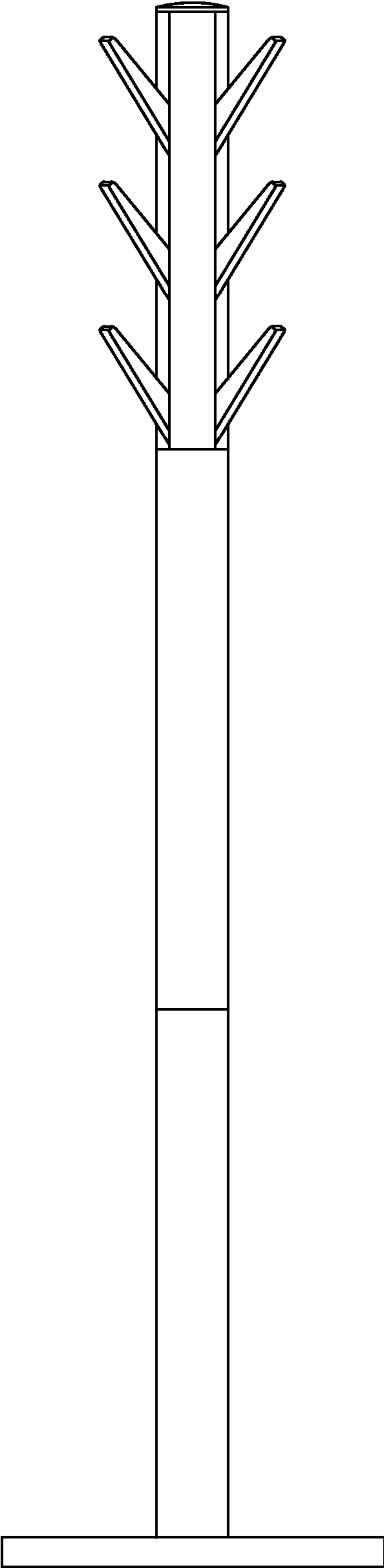


Fig. 2

Fig. 3



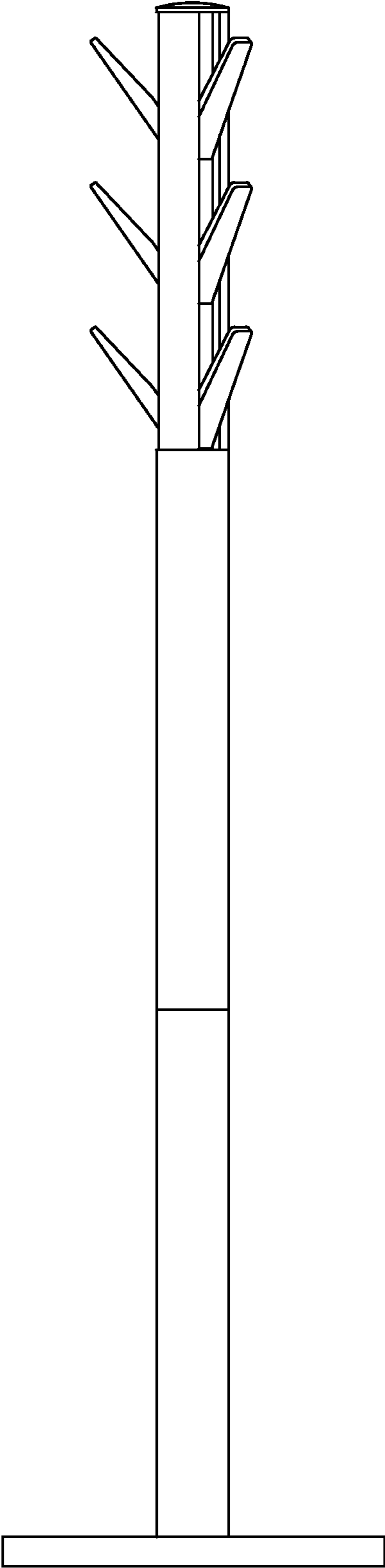


Fig. 4

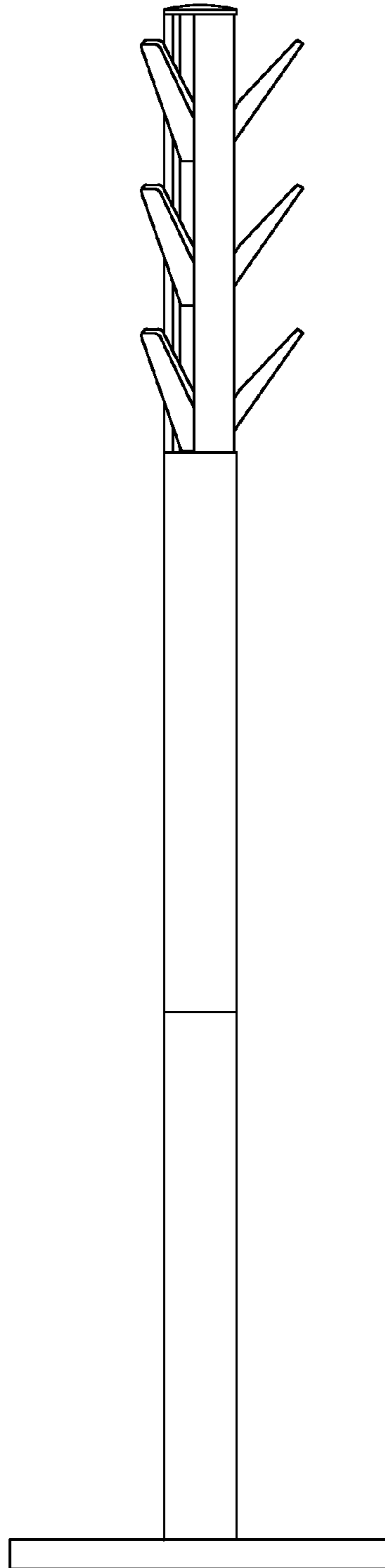


Fig. 5

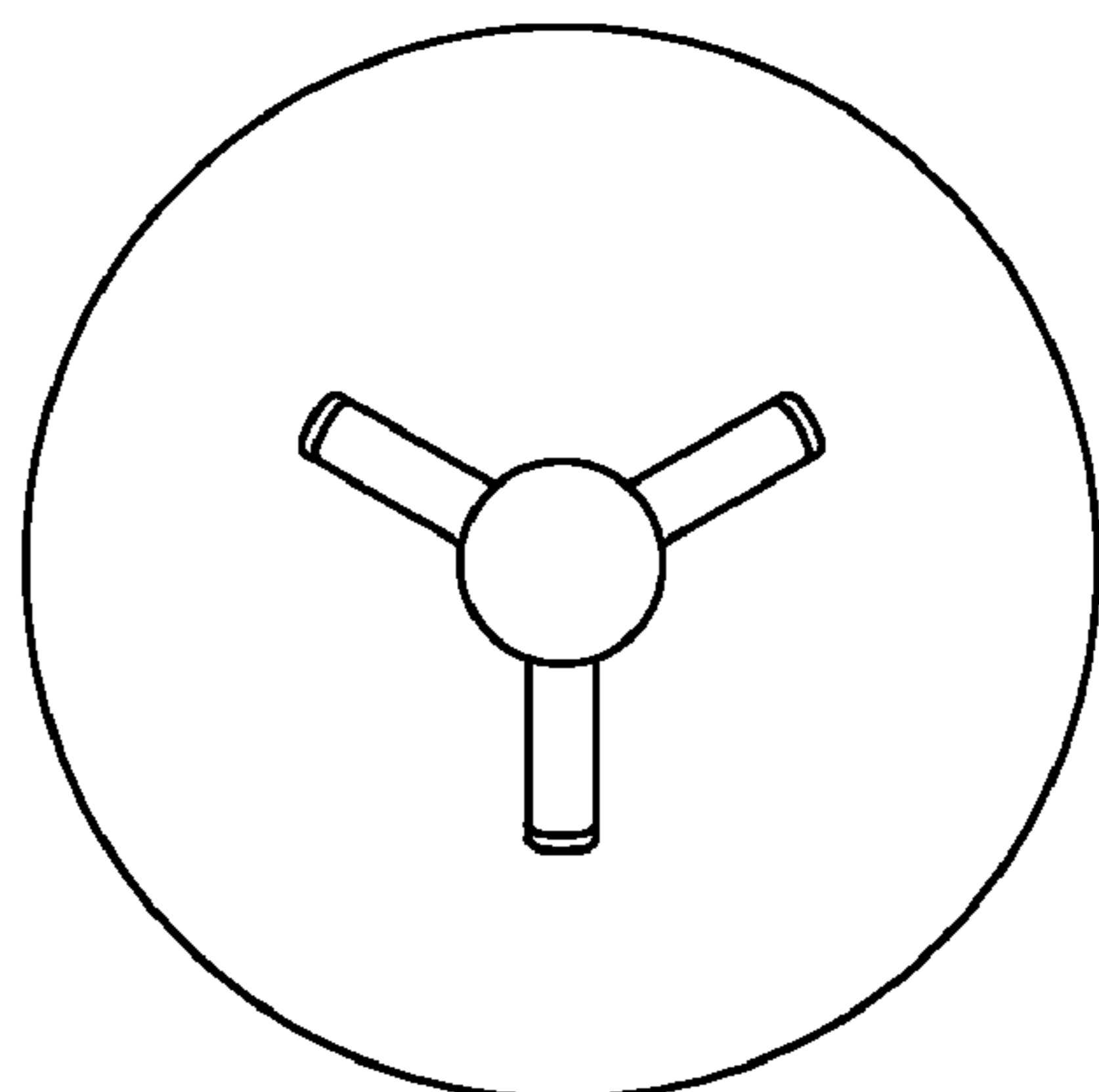


Fig. 6

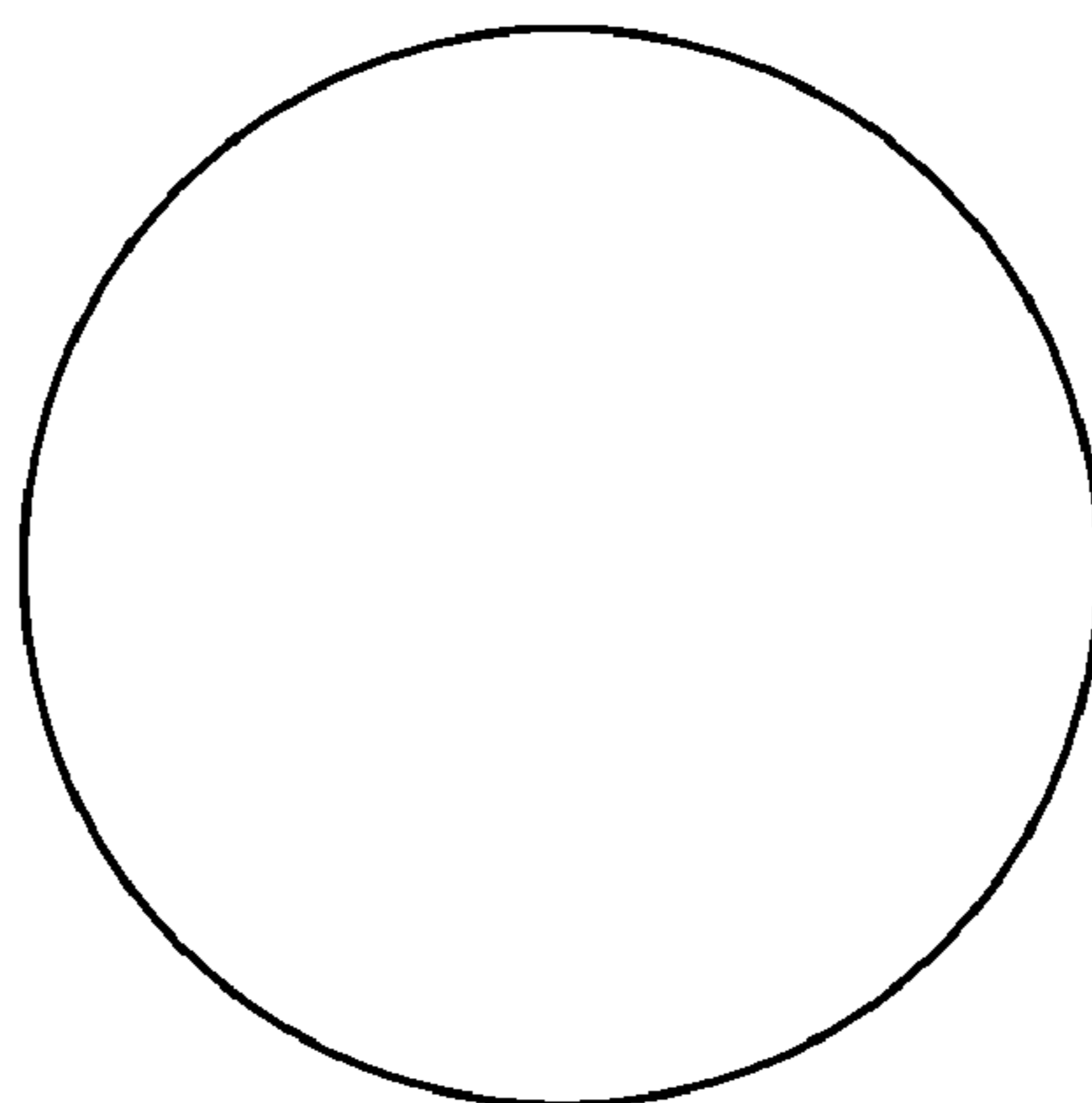


Fig. 7