



US00D639085S

(12) **United States Design Patent**
Andersen

(10) **Patent No.:** **US D639,085 S**
(45) **Date of Patent:** **** Jun. 7, 2011**

(54) **SOFA**
(75) **Inventor:** **Per Weiss Andersen**, Randers (DK)
(73) **Assignee:** **Innovation U.S.A., Inc.**, South San Francisco, CA (US)
(**) **Term:** **14 Years**
(21) **Appl. No.:** **29/365,841**
(22) **Filed:** **Jul. 15, 2010**

D562,022 S * 2/2008 Hackethal et al. D6/381
D562,582 S * 2/2008 Hackethal et al. D6/381
D569,123 S * 5/2008 Rooz et al. D6/381
D603,617 S * 11/2009 Weiss D6/381
* cited by examiner

Primary Examiner — Sandra Snapp
(74) *Attorney, Agent, or Firm* — Miles & Stockbridge PC;
James T. Carmichael; Michael A. Minter

(30) **Foreign Application Priority Data**
Jan. 15, 2010 (EP) 001657172
(51) **LOC (9) Cl.** **06-01**
(52) **U.S. Cl.** **D6/381**
(58) **Field of Classification Search** D6/334,
D6/335, 337, 349, 353, 380, 381, 500–502;
5/12.1, 12.2; 297/14, 43, 44, 118, 140, 245,
297/300.1, 311, 353, 354.1, 445.1, 446.1,
297/446.2, 447.4, 465, 900, DIG. 2, DIG. 7
See application file for complete search history.

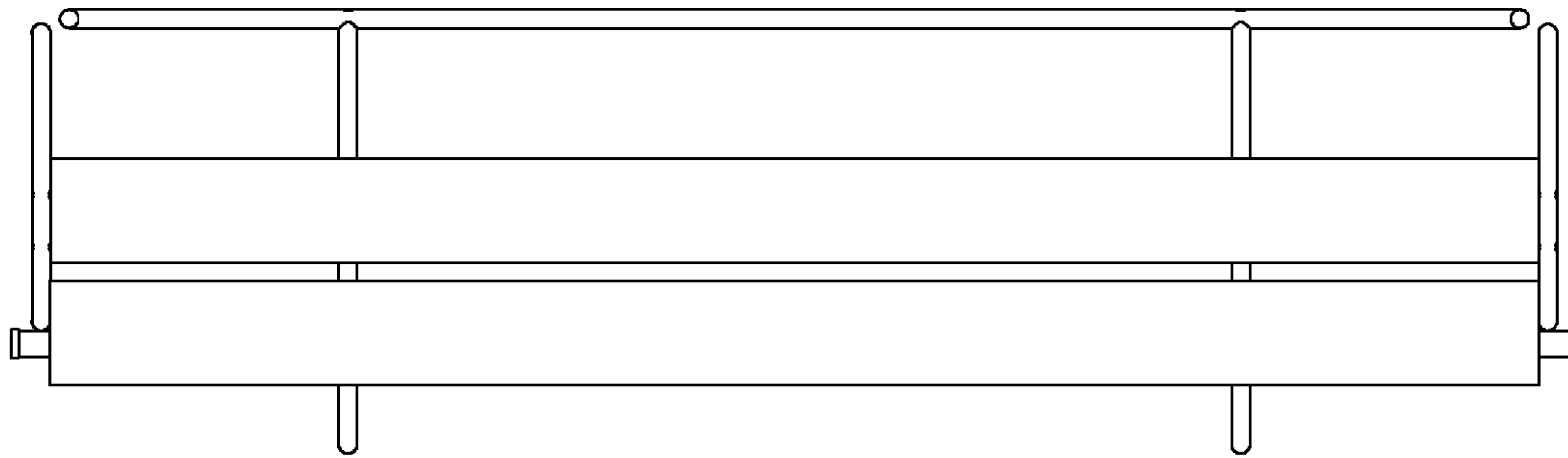
(57) **CLAIM**
The ornamental design for a sofa, as shown and described.

DESCRIPTION

FIG. 1 is a front view of the design for a sofa;
FIG. 2 is a rear view thereof;
FIG. 3 is a top view thereof;
FIG. 4 is a bottom view thereof;
FIG. 5 is a left side view thereof;
FIG. 6 is a right side view thereof;
FIG. 7 is a right perspective view thereof;
FIG. 8 is a left perspective view thereof;
FIG. 9 is a right perspective view of the sofa in an extended position; and,
FIG. 10 is a left perspective view of the sofa in the extended position.
The broken lines shown in the drawings are for illustrative purposes only and form no part of the claimed design.

(56) **References Cited**
U.S. PATENT DOCUMENTS
D98,517 S * 2/1936 Hoffman D6/334
3,949,434 A * 4/1976 Anacker 5/12.1
D272,968 S * 3/1984 Fairaizen D6/381
5,644,804 A * 7/1997 Wang 5/12.1

1 Claim, 7 Drawing Sheets



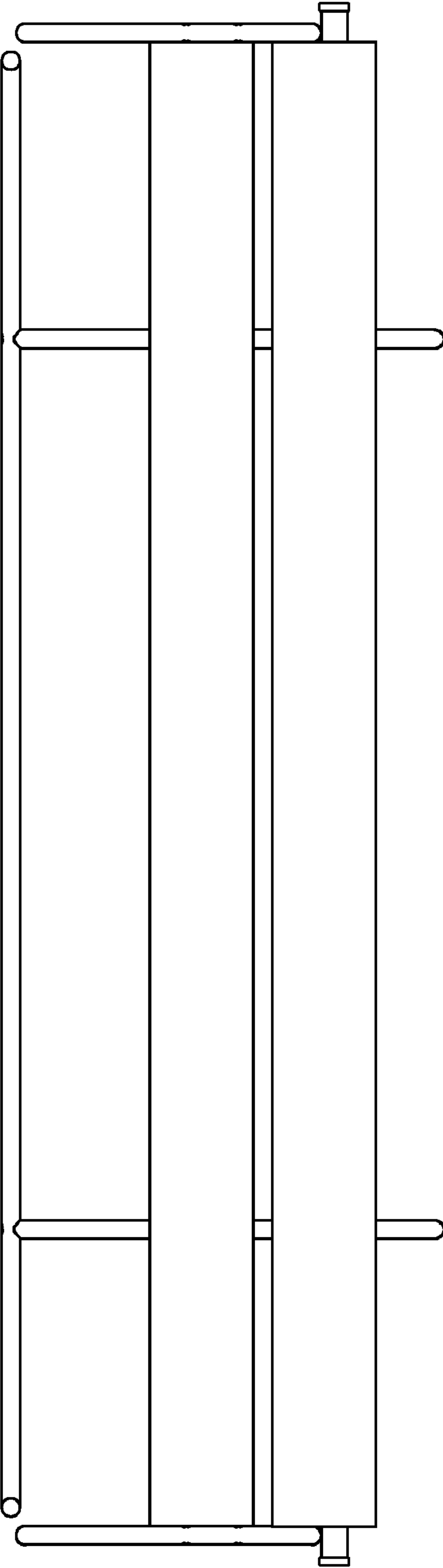


FIG. 1

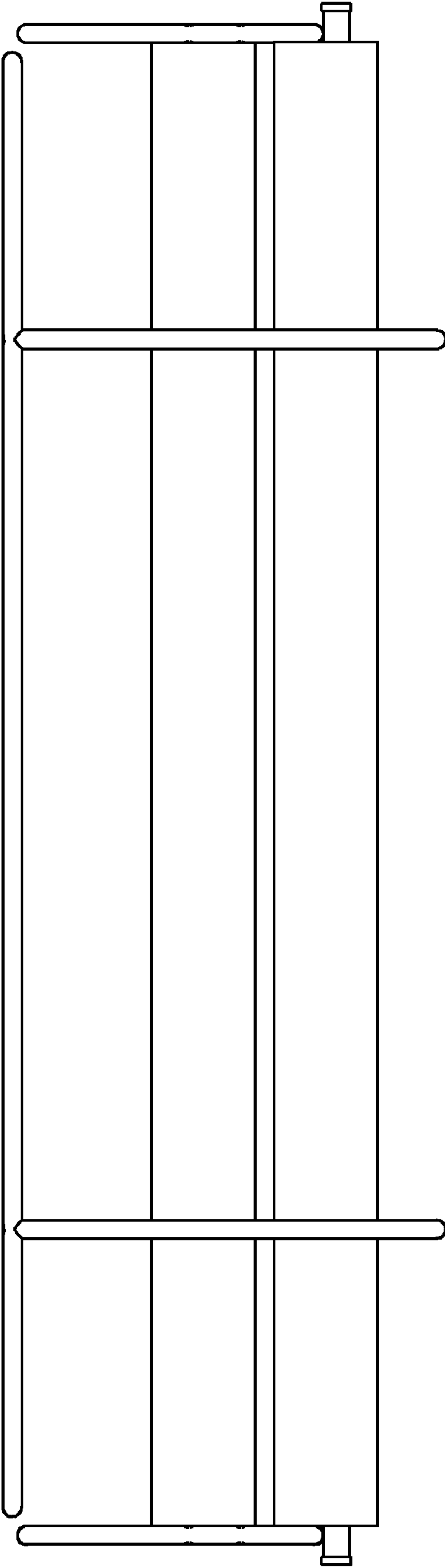


FIG. 2

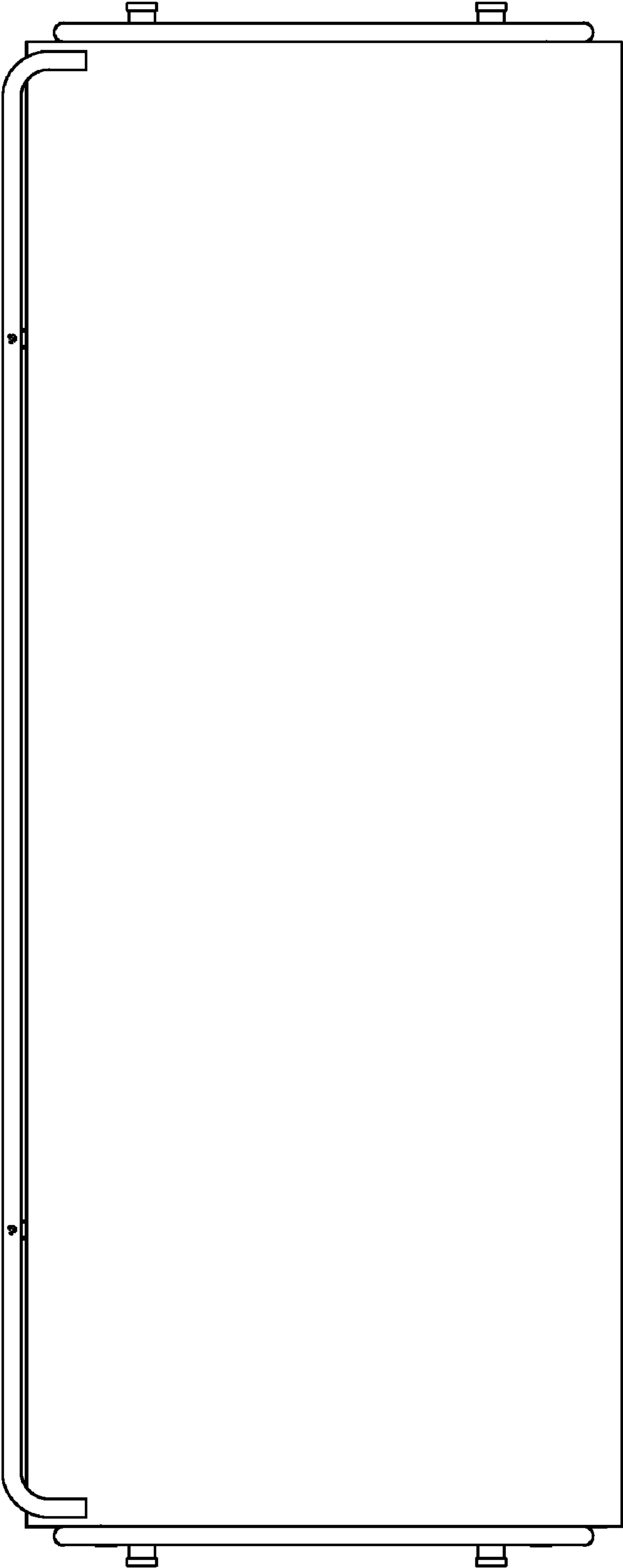


FIG. 3

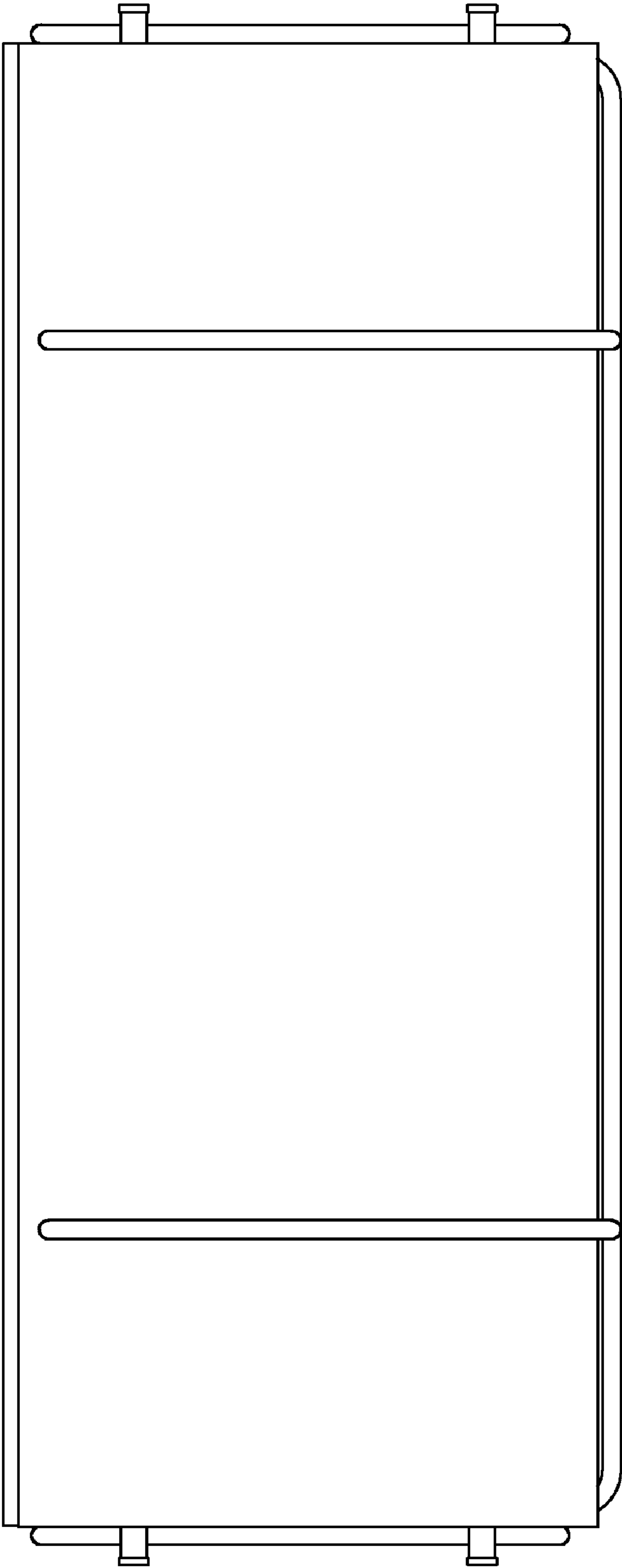


FIG. 4

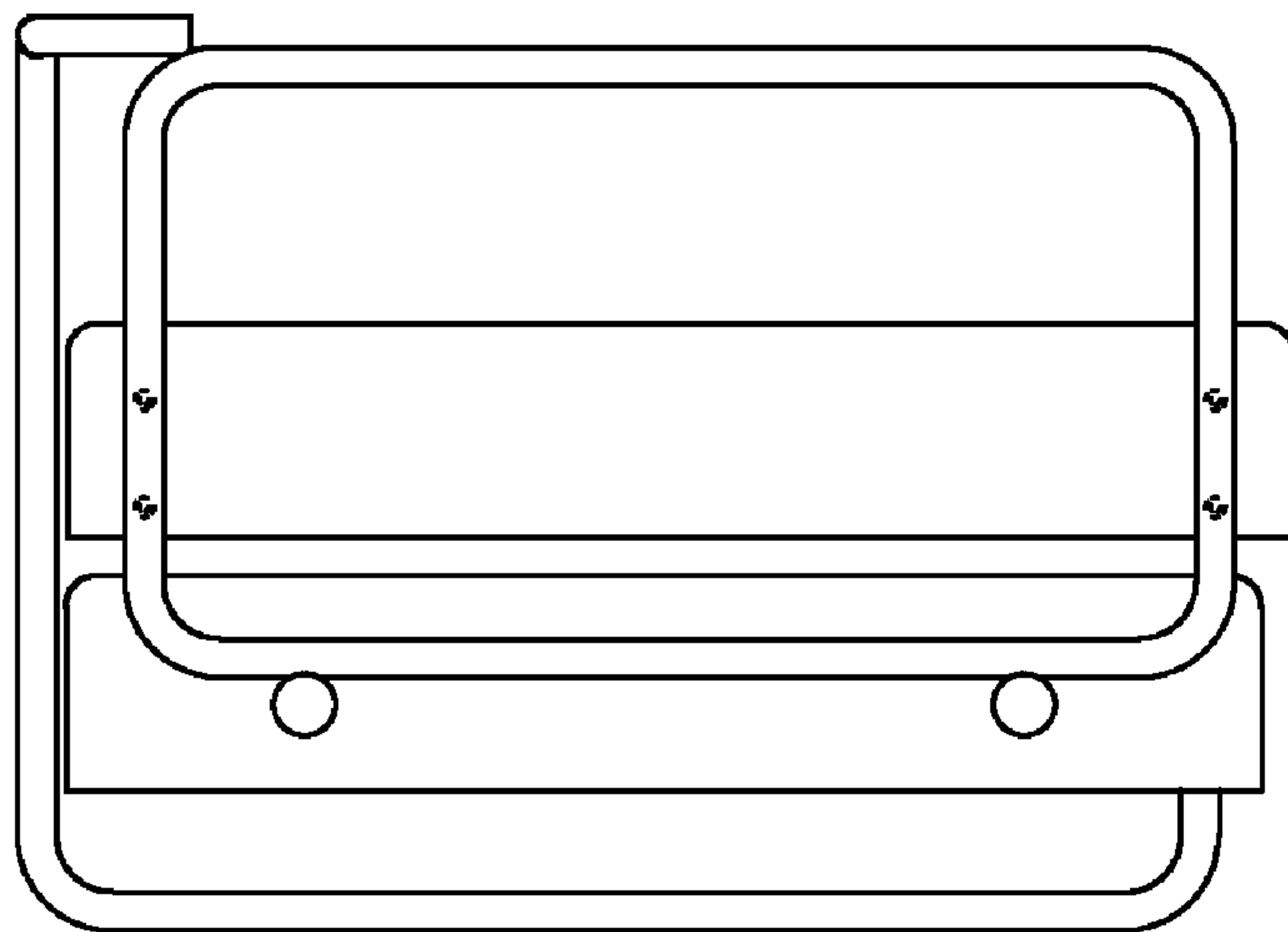


FIG. 5

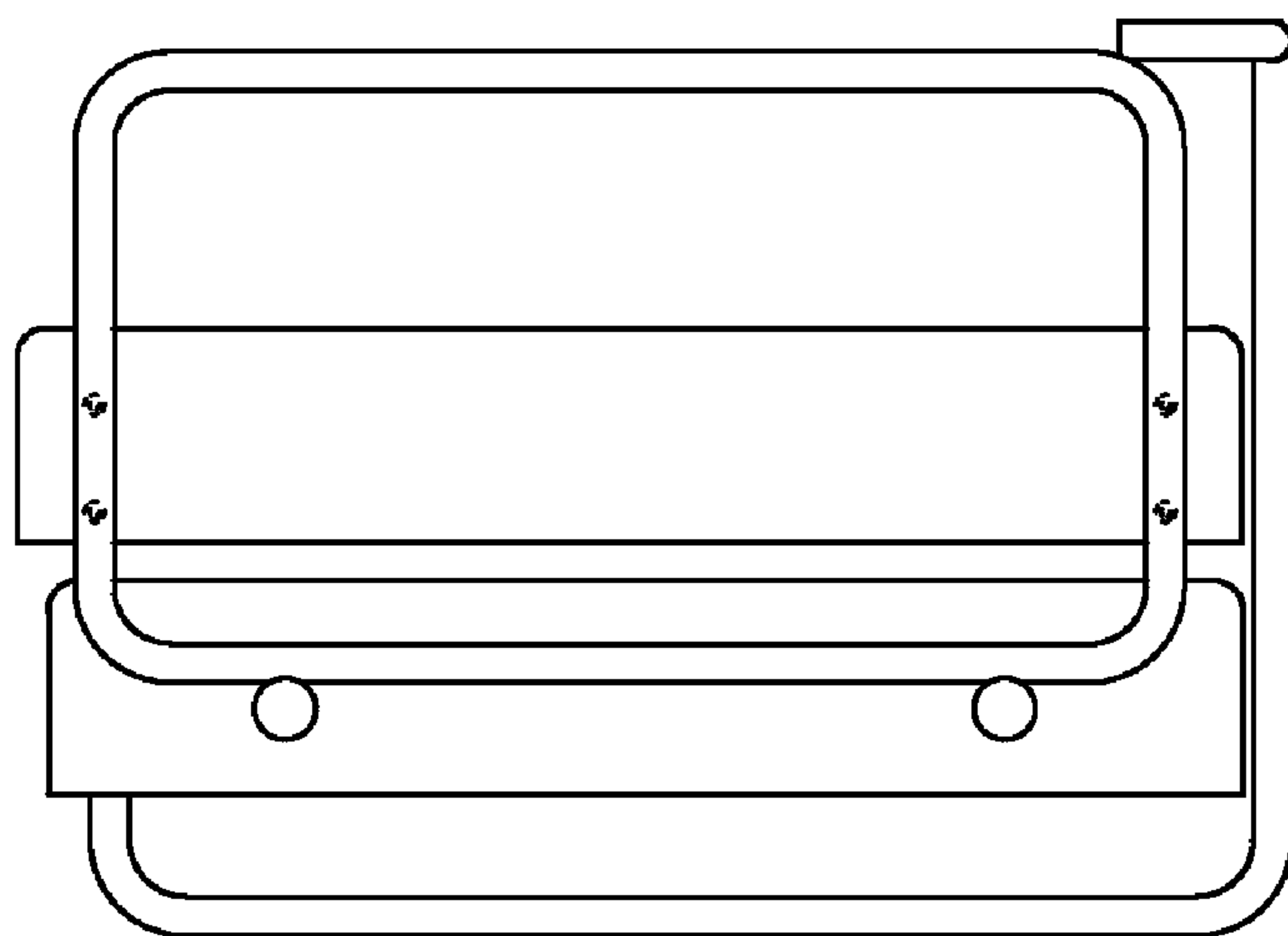


FIG. 6

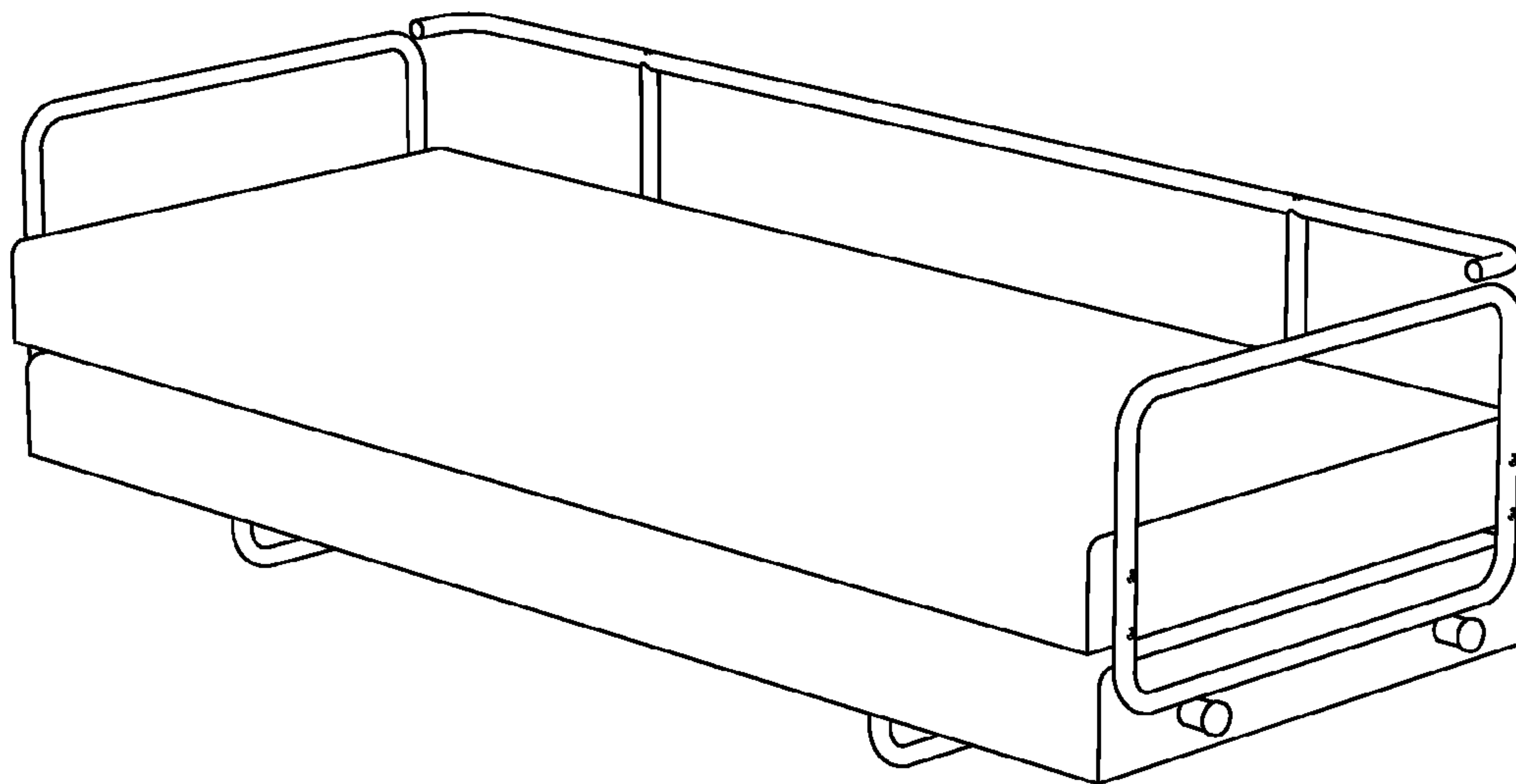


FIG. 7

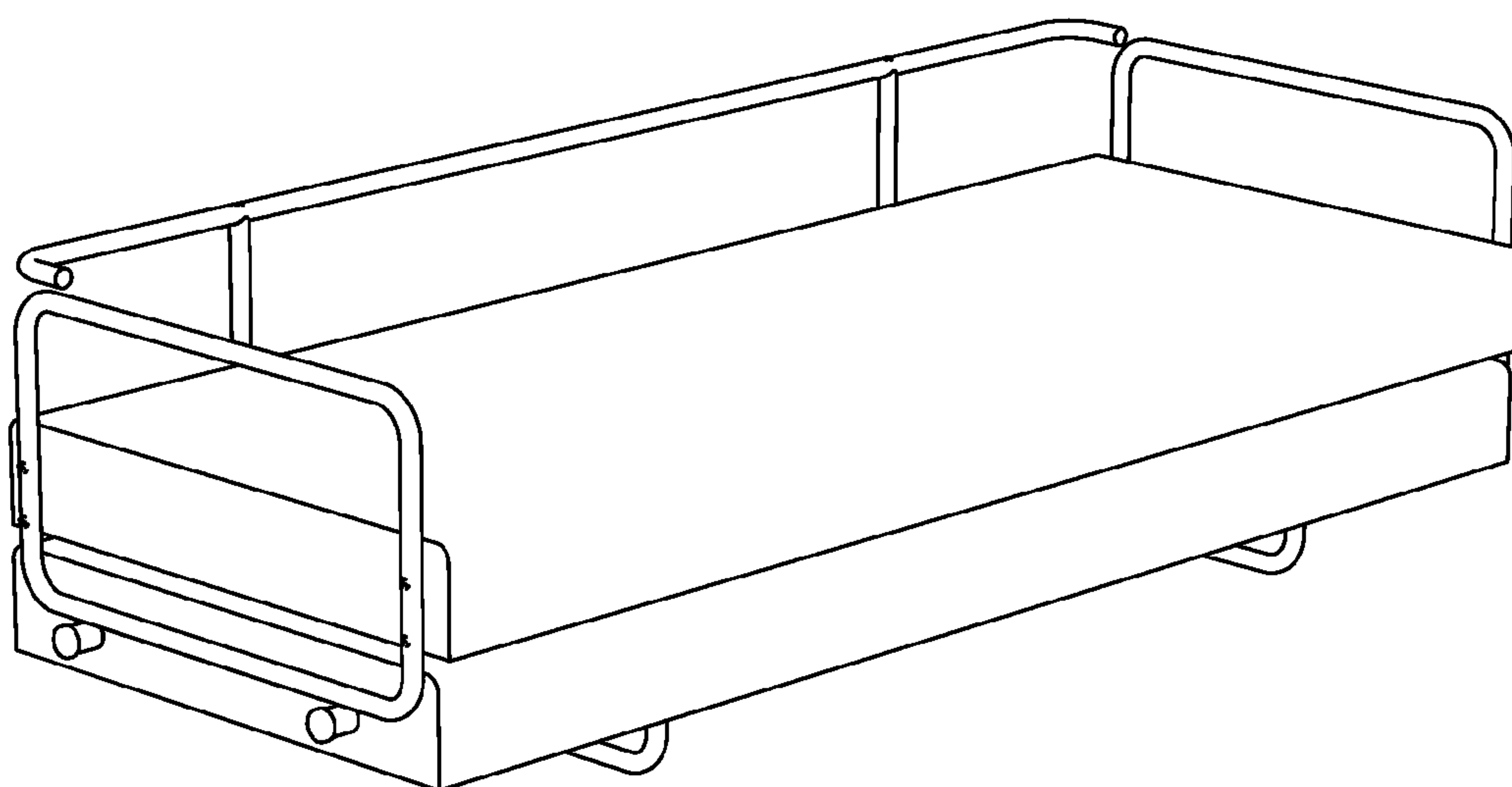


FIG. 8

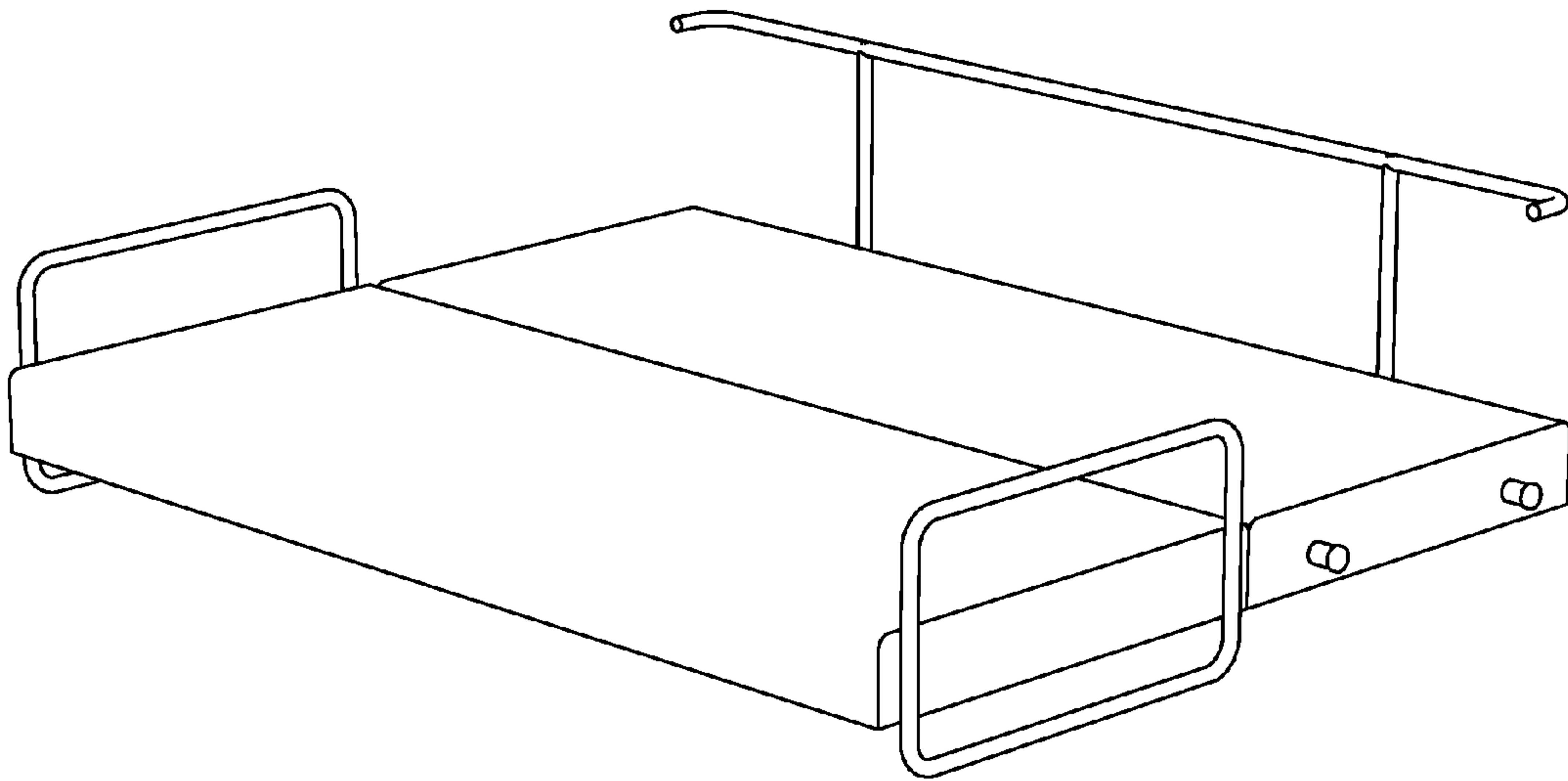


FIG. 9

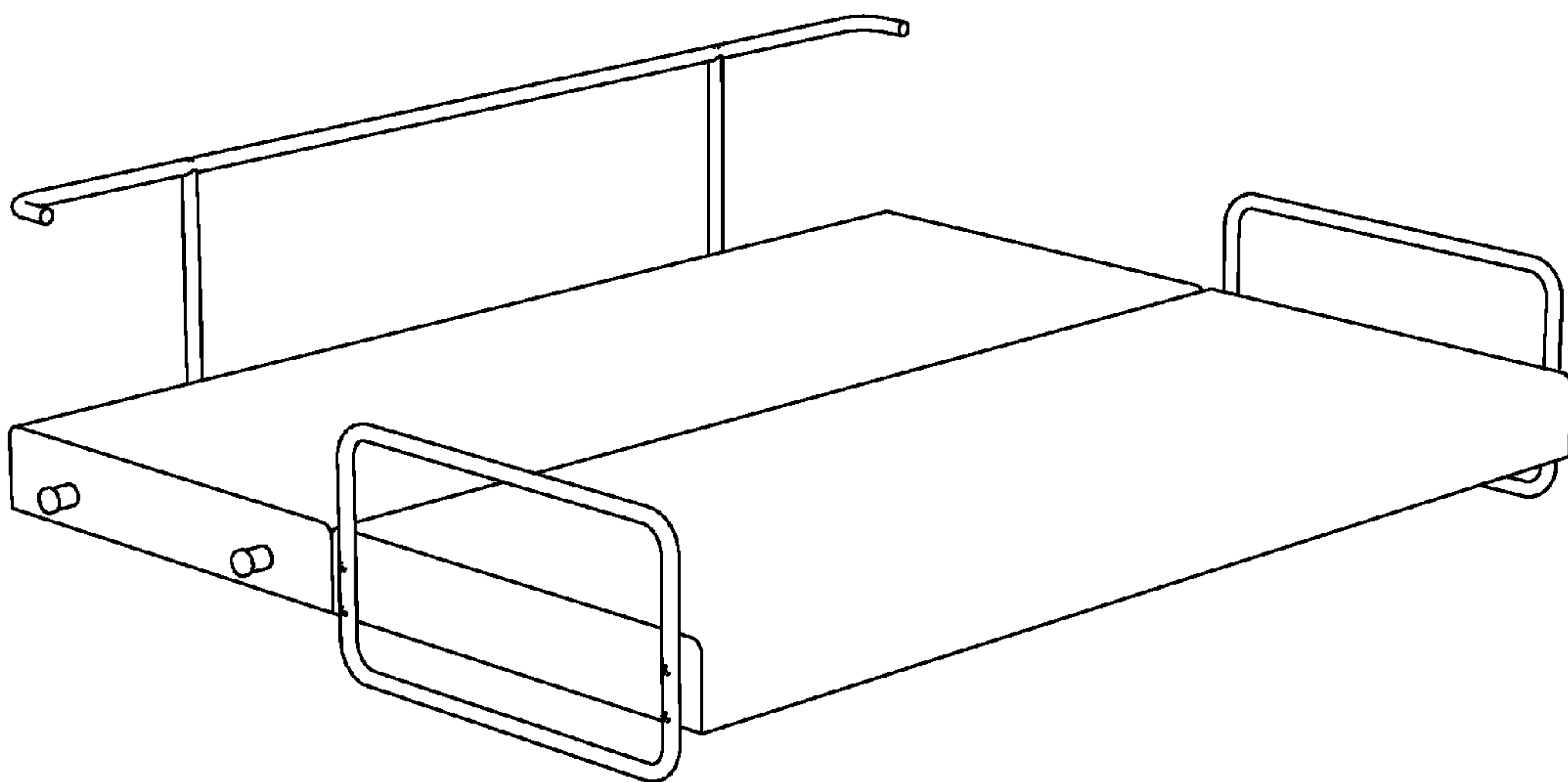


FIG. 10