



US00D639082S

(12) **United States Design Patent**  
**Pengelly**

(10) **Patent No.:** **US D639,082 S**  
(45) **Date of Patent:** **\*\* Jun. 7, 2011**

(54) **STOOL**

(75) Inventor: **Simon Pengelly**, Treviso (IT)

(73) Assignee: **Arper S.p.A.**, Monastier di Treviso,  
Treviso (IT)

(\*\*) Term: **14 Years**

(21) Appl. No.: **29/353,451**

(22) Filed: **Jan. 8, 2010**

(30) **Foreign Application Priority Data**

Jul. 17, 2009 (WO) ..... 504832801

(51) **LOC (9) Cl.** ..... **06-01**

(52) **U.S. Cl.** ..... **D6/360**

(58) **Field of Classification Search** ..... D6/334-336,  
D6/360, 364, 365, 374, 375, 376, 379, 380,  
D6/500-502; 297/344.12, 423.18, 423.25,  
297/451.4, 451.5, 452.12, 461

See application file for complete search history.

(56) **References Cited**

**U.S. PATENT DOCUMENTS**

D197,964 S \* 4/1964 Rhoades ..... D6/375  
D486,313 S \* 2/2004 Manzali ..... D6/360  
D621,631 S \* 8/2010 Li ..... D6/360  
2006/0232109 A1 \* 10/2006 Olano ..... 297/461

**FOREIGN PATENT DOCUMENTS**

EM 000968169-0001 11/2008

**OTHER PUBLICATIONS**

Catalogue "Lion 96", published by Lion Office Products Corporation  
Japan, 1996.

\* cited by examiner

*Primary Examiner* — Mimoso De

(74) *Attorney, Agent, or Firm* — Shoemaker and Mattare

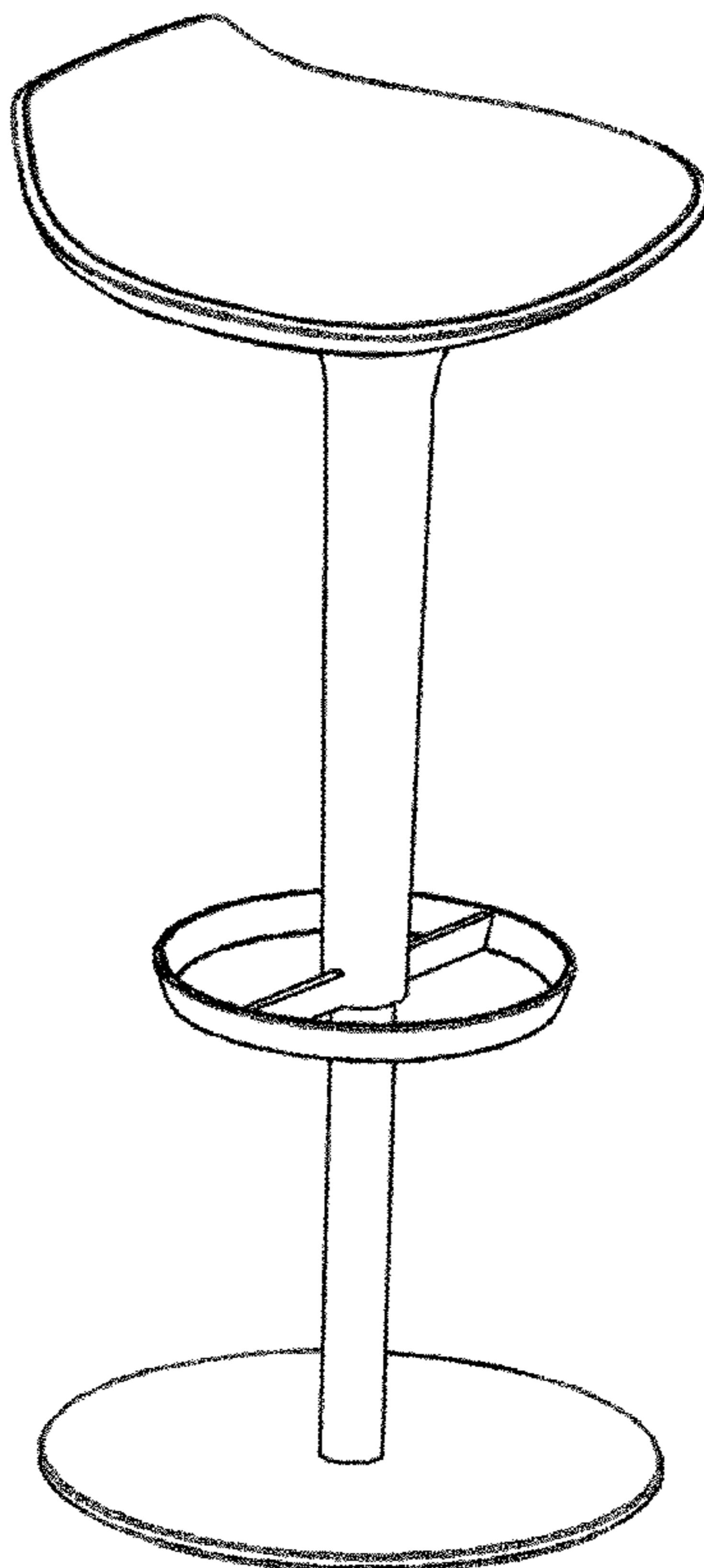
(57) **CLAIM**

The ornamental design for a stool, as shown and described.

**DESCRIPTION**

FIG. 1 is a perspective view of a stool, showing my new design from the front, top and right side; FIG. 2 is a right side elevational view thereof; FIG. 3 is a left side elevational view thereof; FIG. 4 is a front elevational view thereof; FIG. 5 is a rear elevational view thereof; FIG. 6 is a top plan view thereof; and, FIG. 7 is a bottom plan view thereof.

**1 Claim, 7 Drawing Sheets**



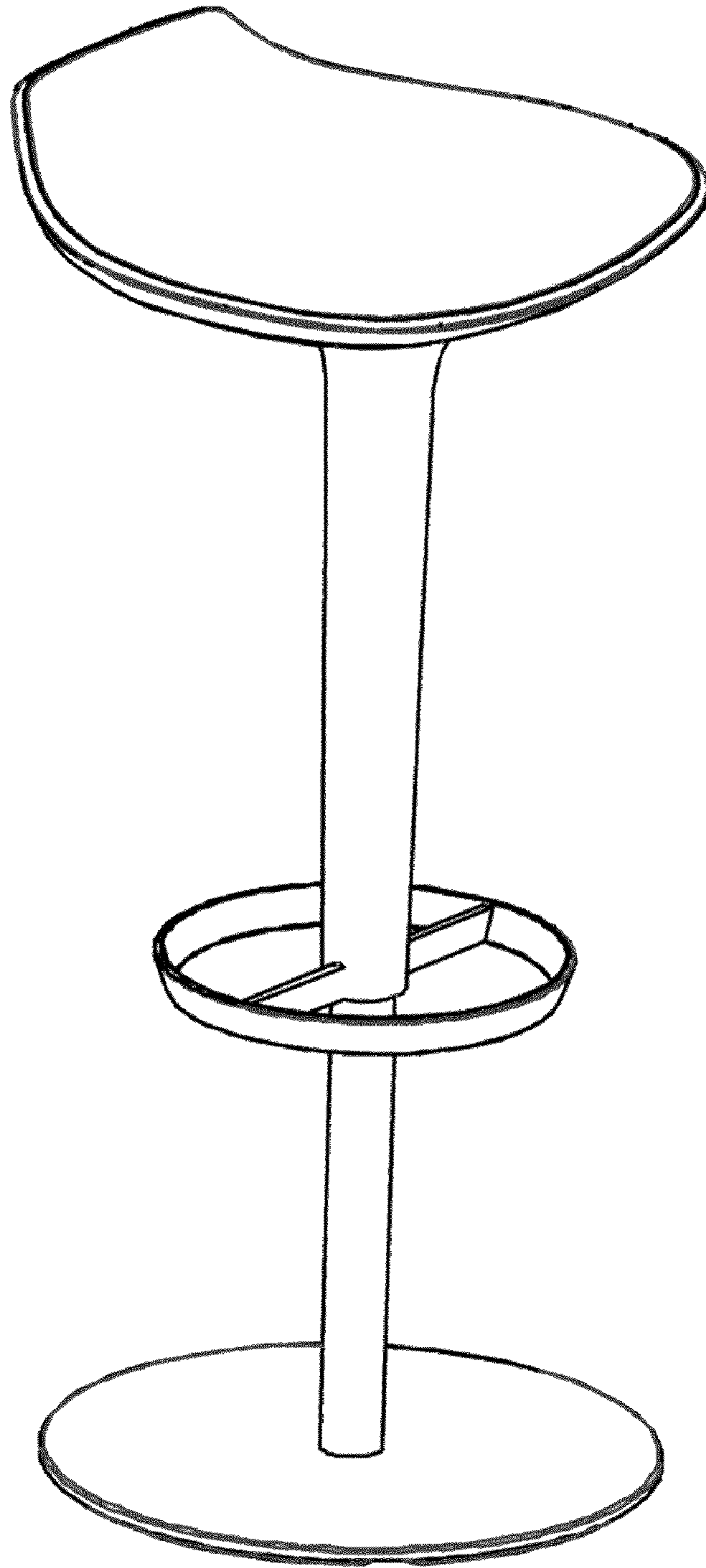


Fig. 1

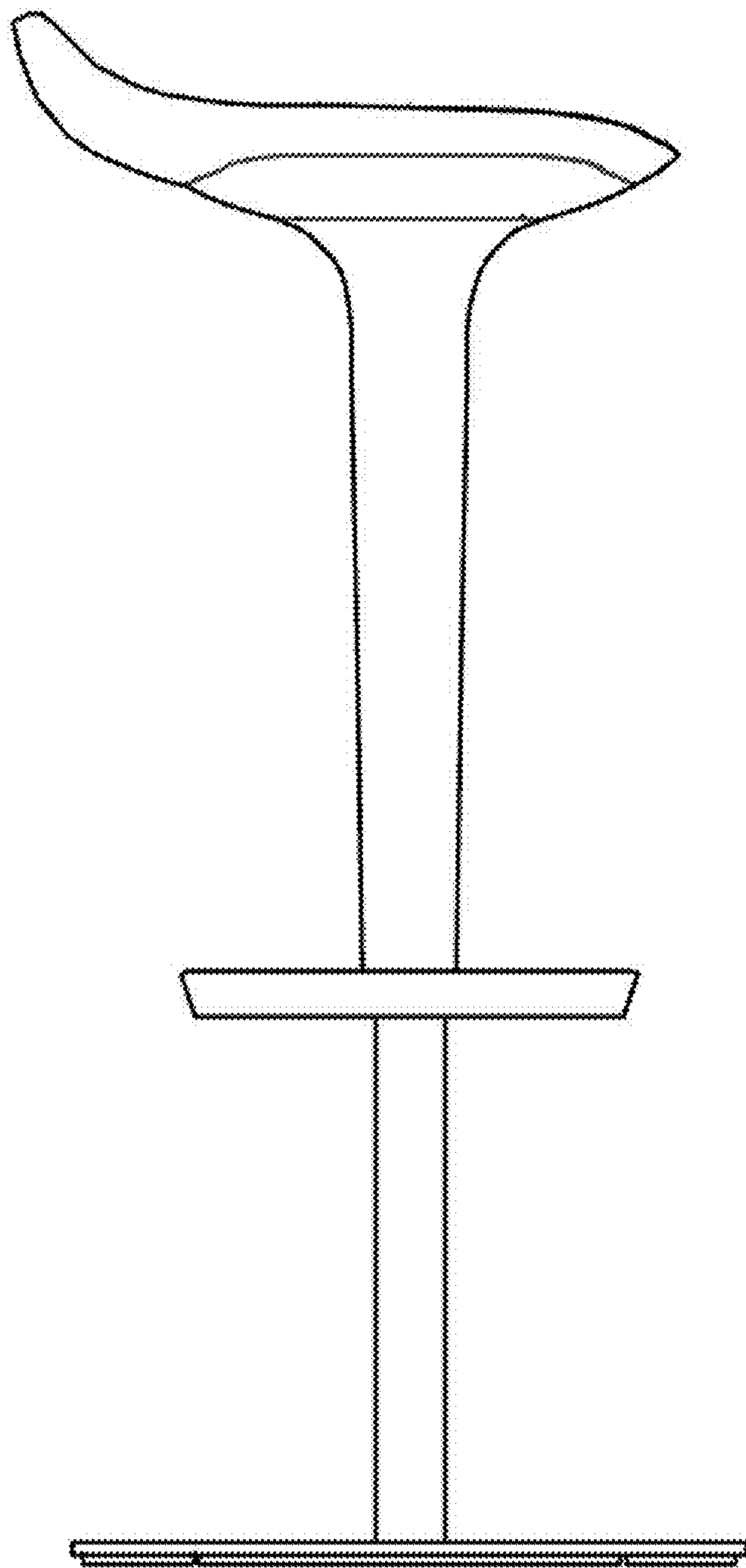


Fig. 2

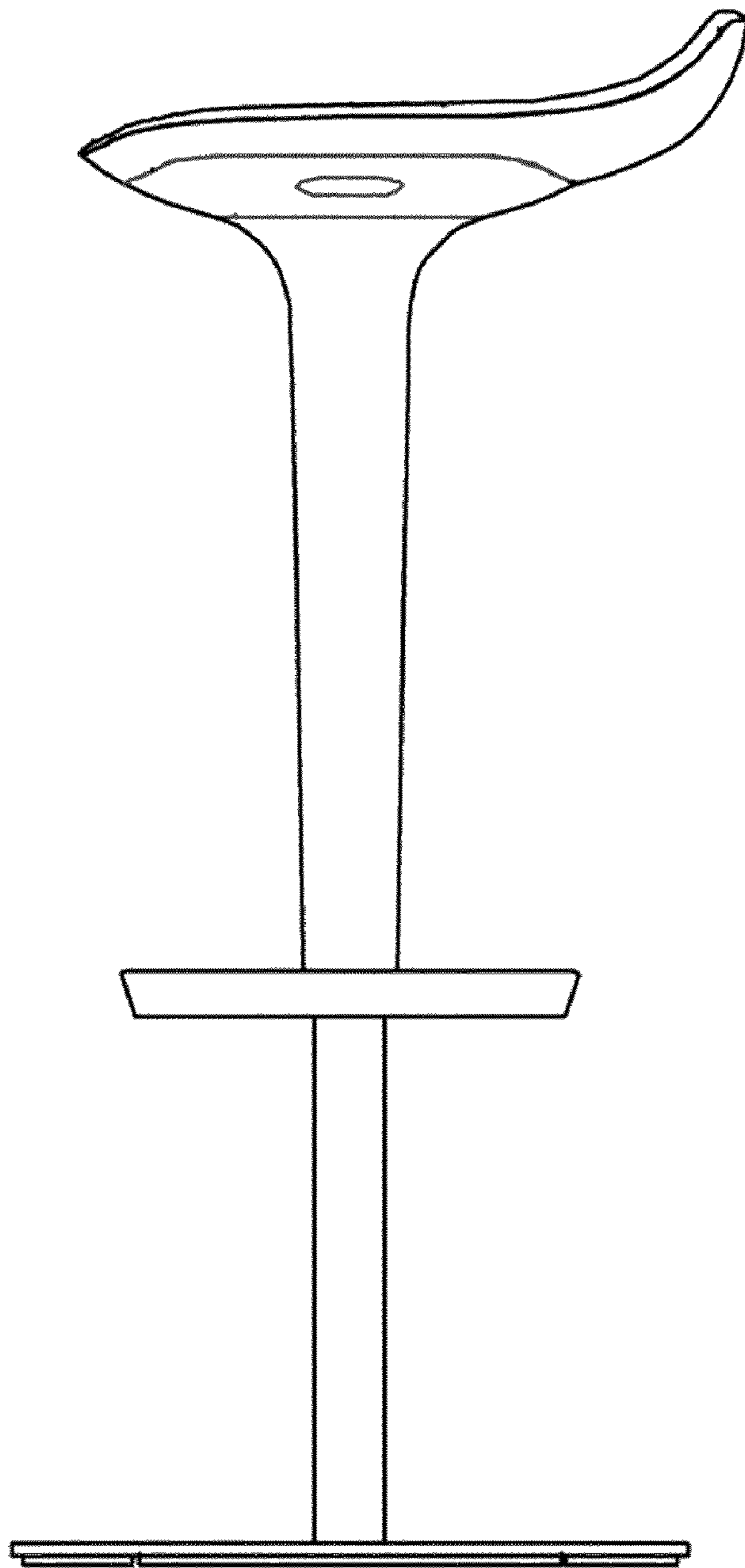


Fig. 3

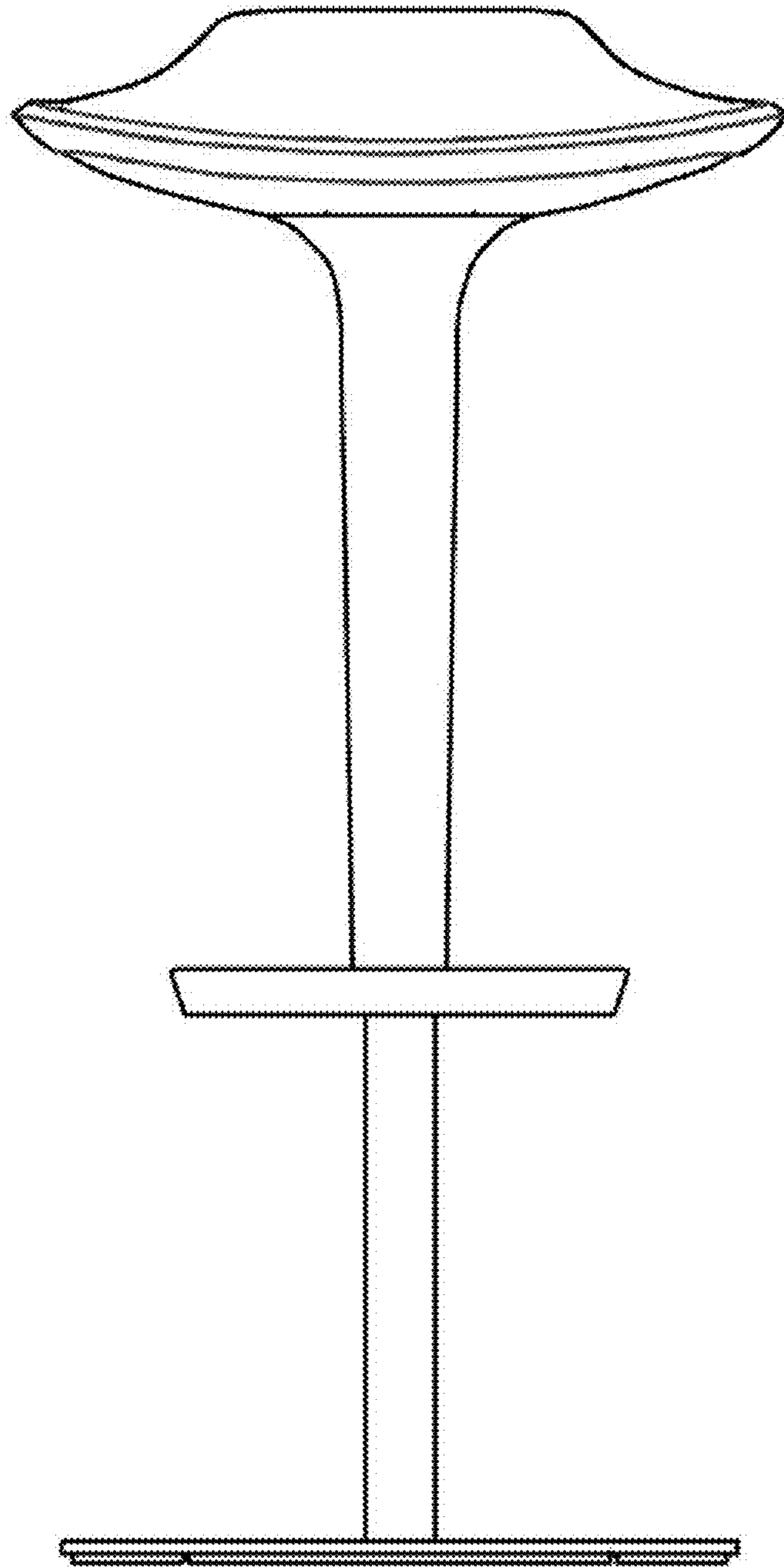


Fig. 4

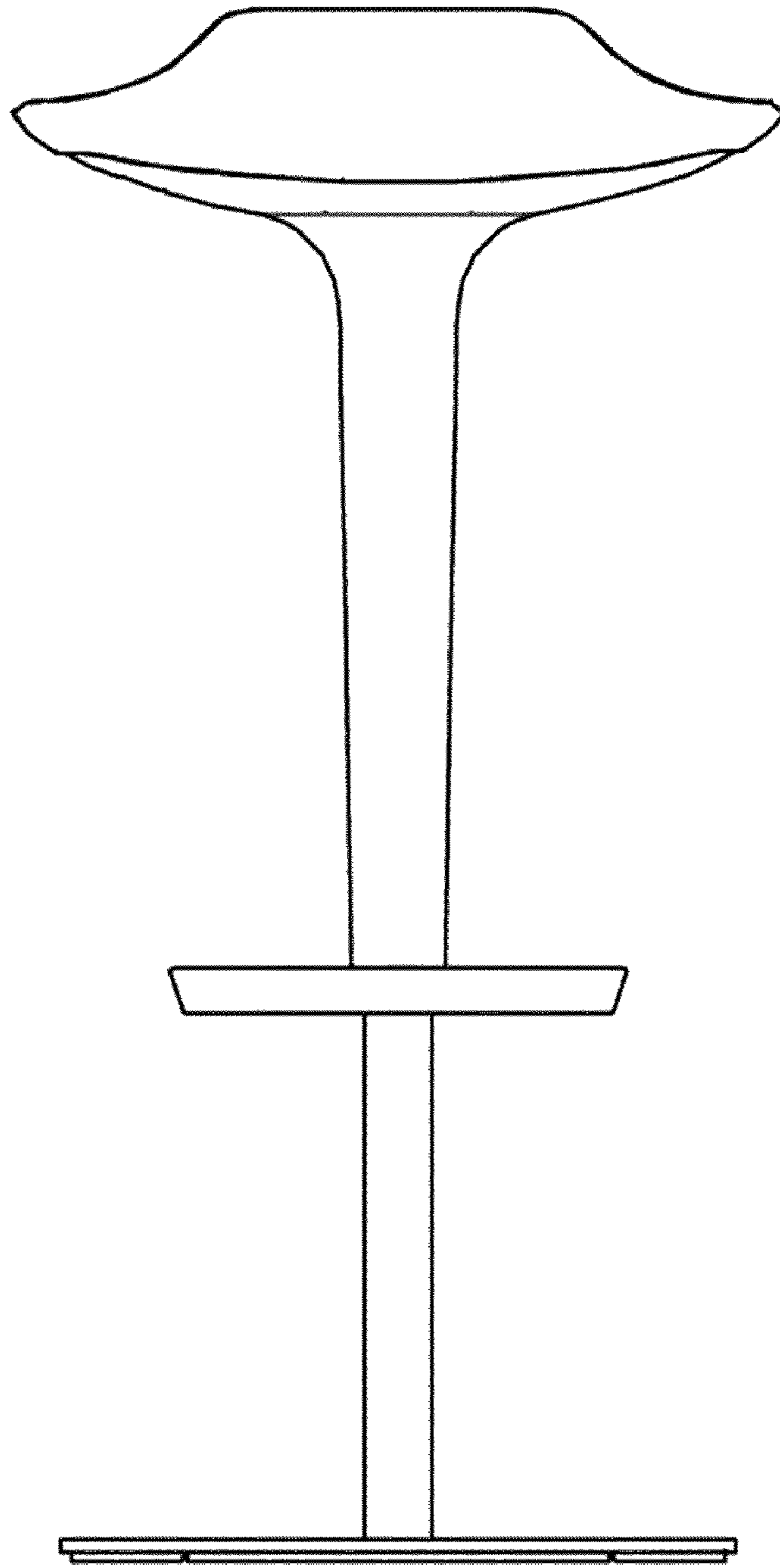
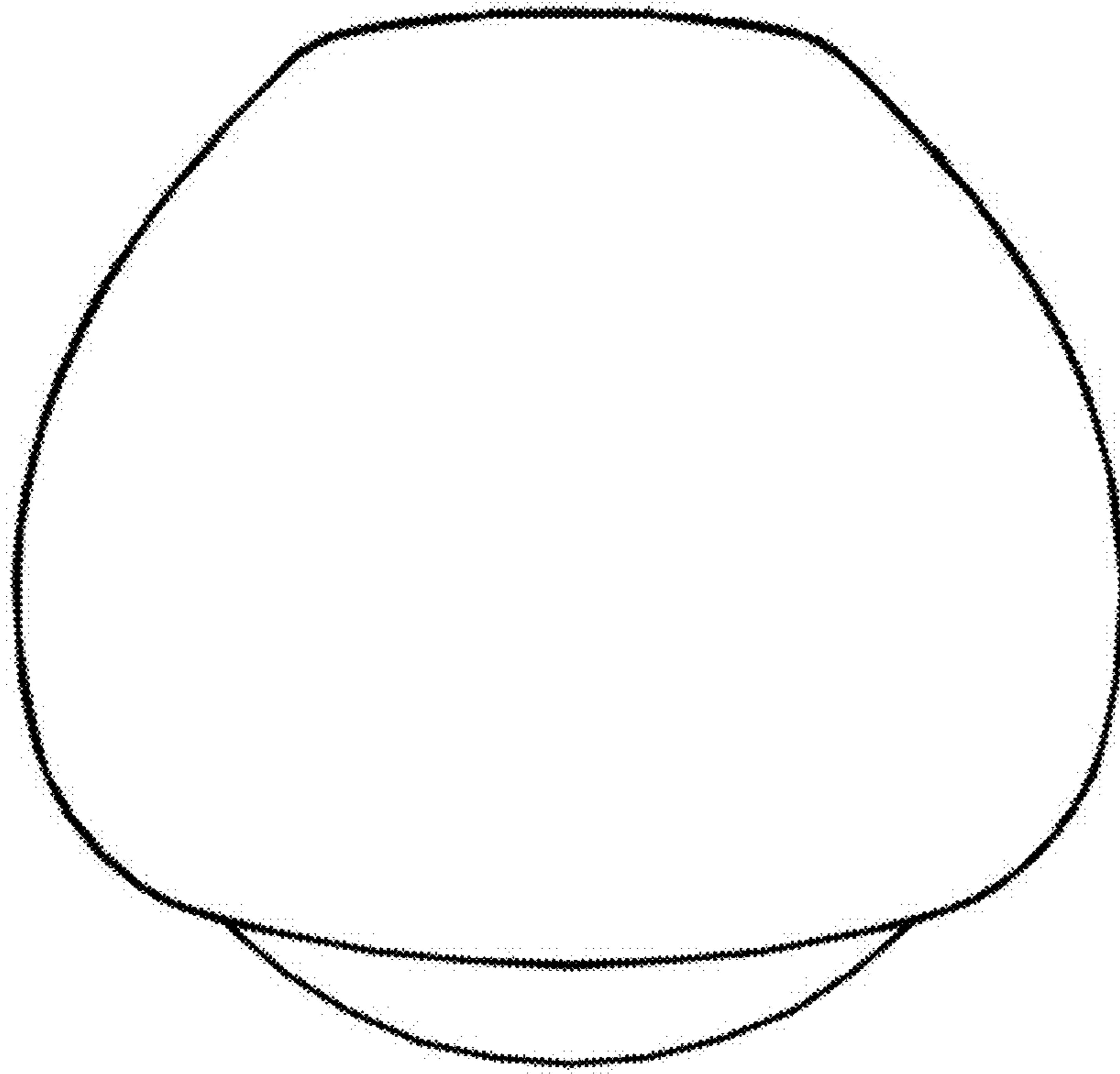


Fig. 5



**Fig. 6**

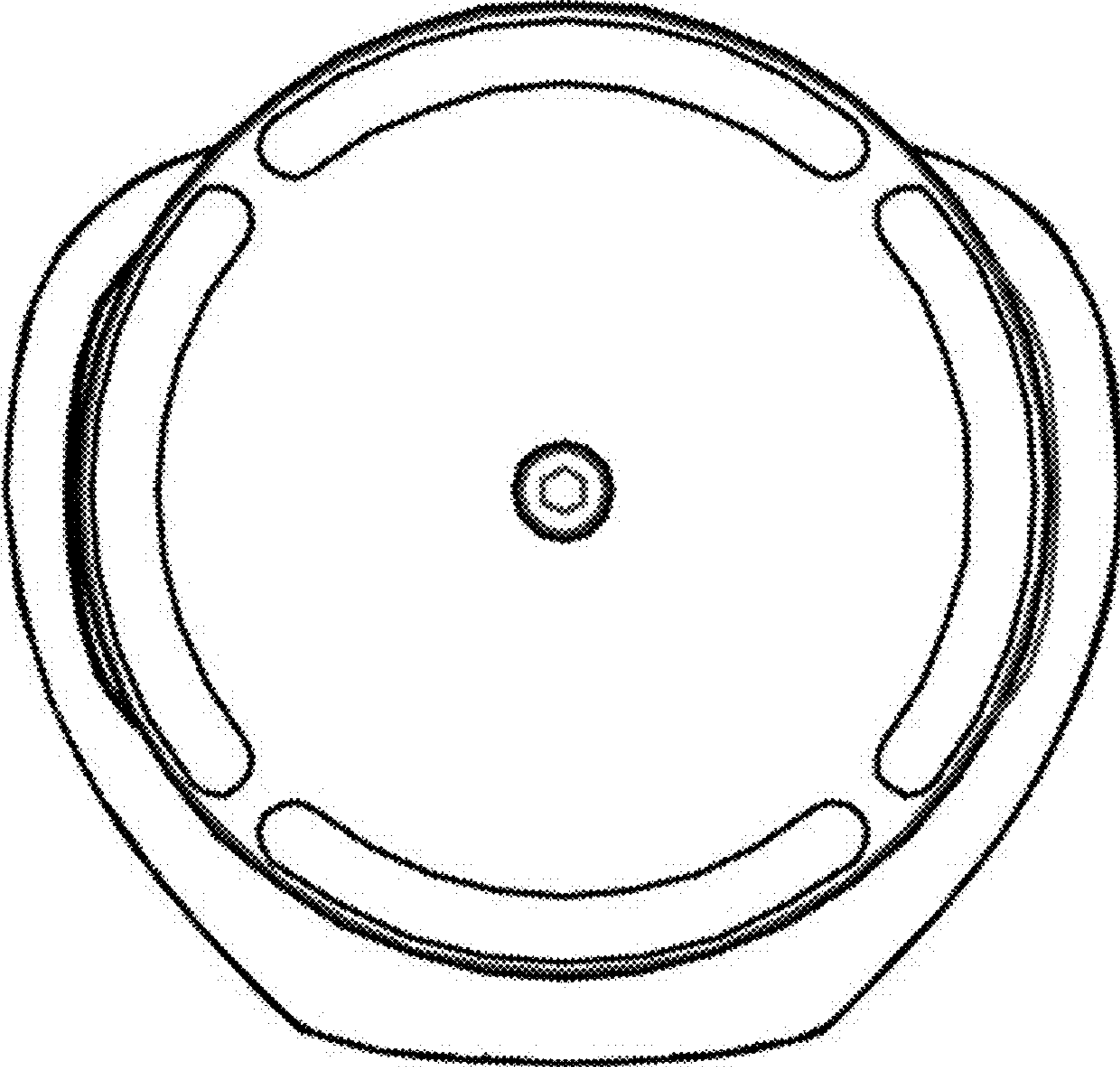


Fig. 7